



US00D537965S

(12) **United States Design Patent**  
**Lee**

(10) **Patent No.:** **US D537,965 S**

(45) **Date of Patent:** **\*\* Mar. 6, 2007**

(54) **SELF-POWERED FLASHLIGHT**

(75) Inventor: **Yikhong Lee, Zhuhai (CN)**

(73) Assignee: **Zhuhai Dejia Electric Appliances Co., Ltd., Zhuhai (CN)**

(\*\*) Term: **14 Years**

(21) Appl. No.: **29/251,306**

(22) Filed: **Jan. 6, 2006**

(30) **Foreign Application Priority Data**

Jul. 8, 2005 (CN) ..... 200530063426

(51) **LOC (8) Cl.** ..... **26-02**

(52) **U.S. Cl.** ..... **D26/37**

(58) **Field of Classification Search** ..... D26/37-50;  
362/157, 158, 171-174, 183-208  
See application file for complete search history.

(56) **References Cited**

**U.S. PATENT DOCUMENTS**

D521,668 S \* 5/2006 Lee ..... D26/37

D525,379 S \* 7/2006 Maxik et al. .... D26/37  
D526,730 S \* 8/2006 Galli ..... D26/37

\* cited by examiner

*Primary Examiner*—Marcus A. Jackson

(74) *Attorney, Agent, or Firm*—Nixon & Vanderhye P.C.

(57) **CLAIM**

The ornamental design for a self-powered flashlight, as shown and described.

**DESCRIPTION**

FIG. 1 is a front view of a self-powered flashlight according to my design;

FIG. 2 is a rear view thereof;

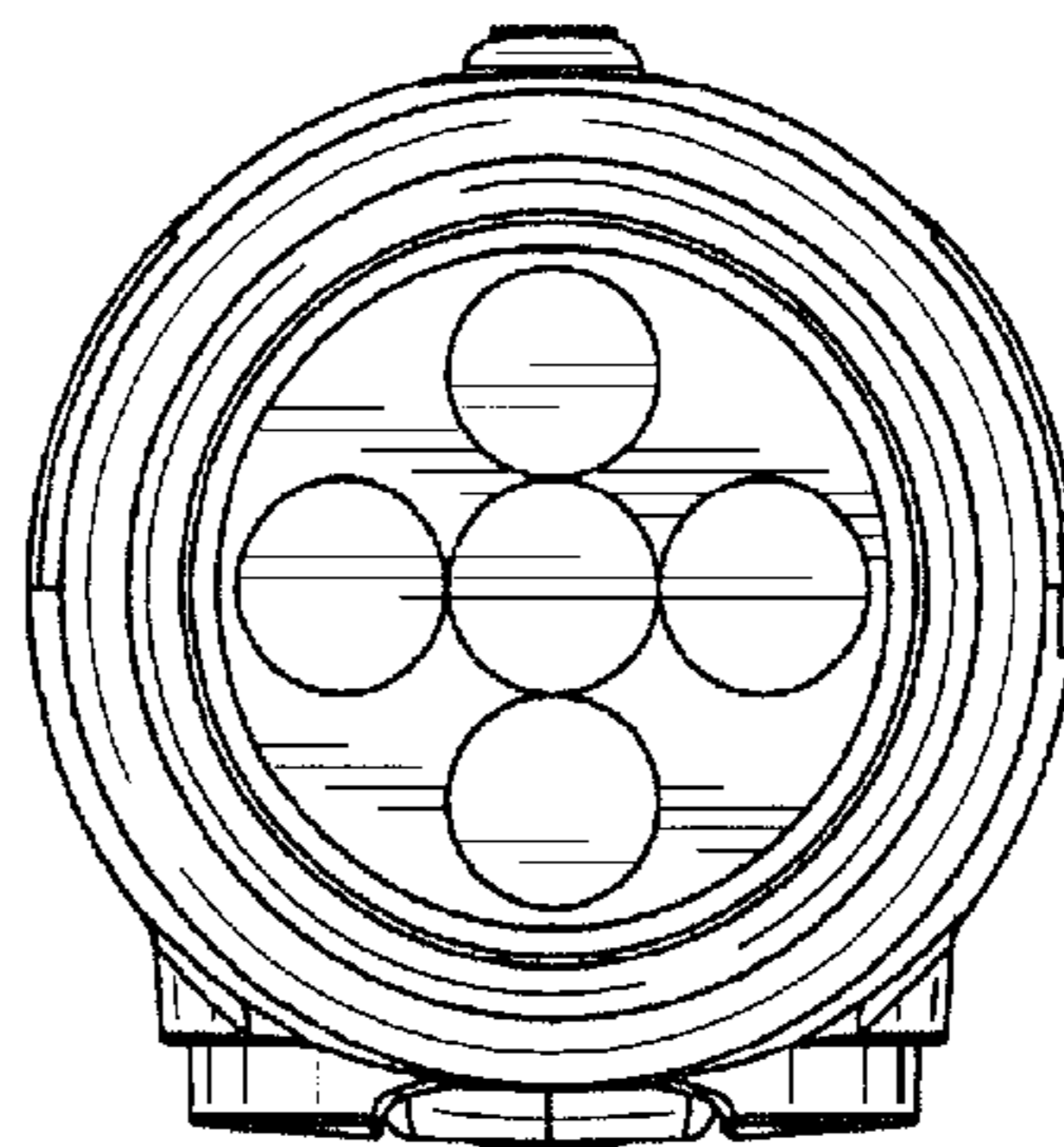
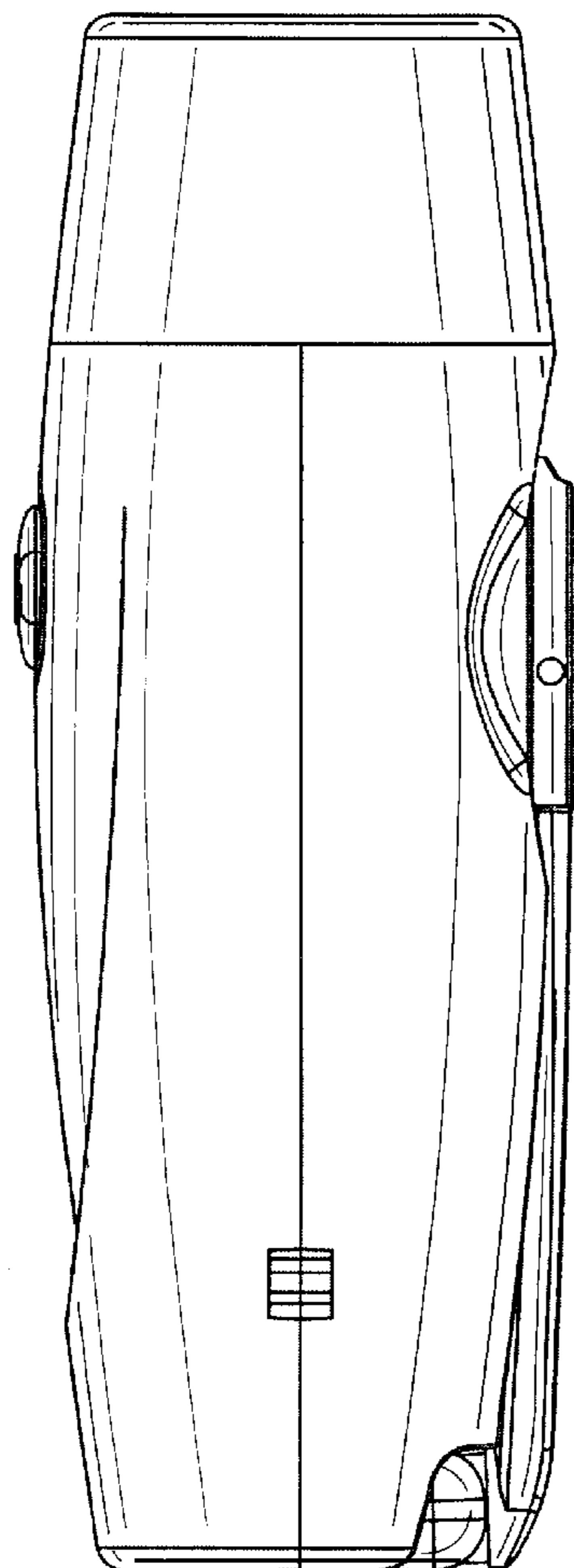
FIG. 3 is a left side view thereof;

FIG. 4 is a right side view thereof;

FIG. 5 is a top view thereof; and,

FIG. 6 is a bottom view thereof.

**1 Claim, 5 Drawing Sheets**



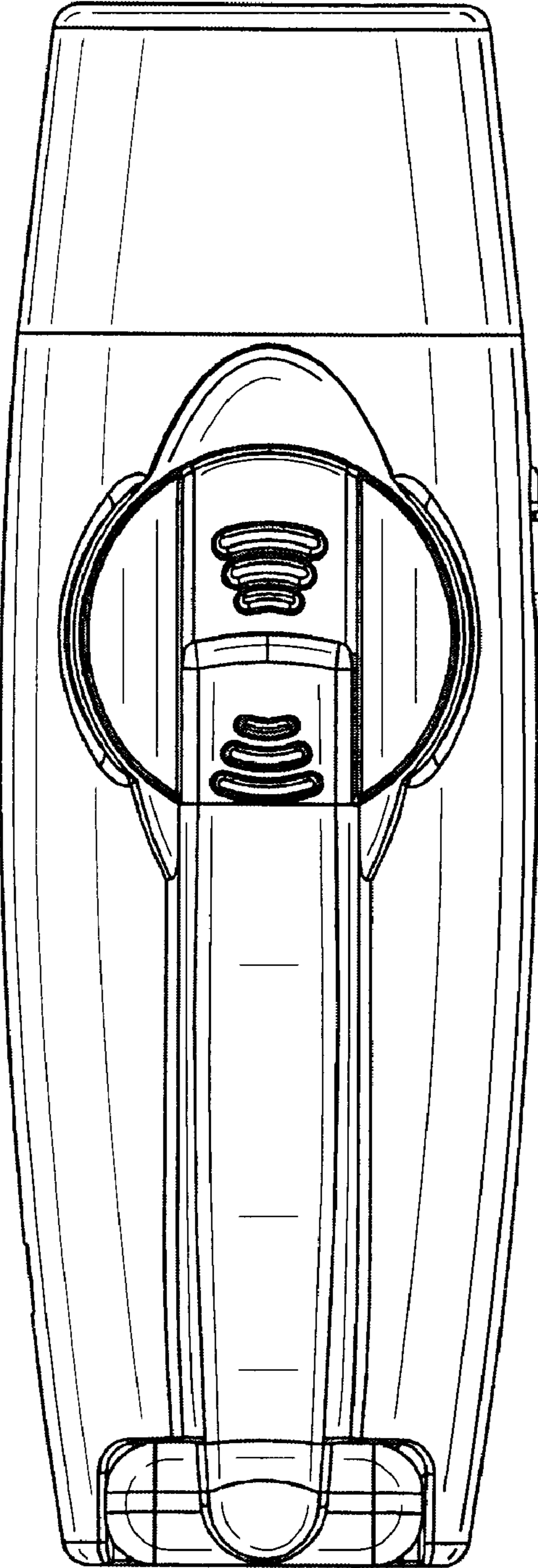


Fig. 1

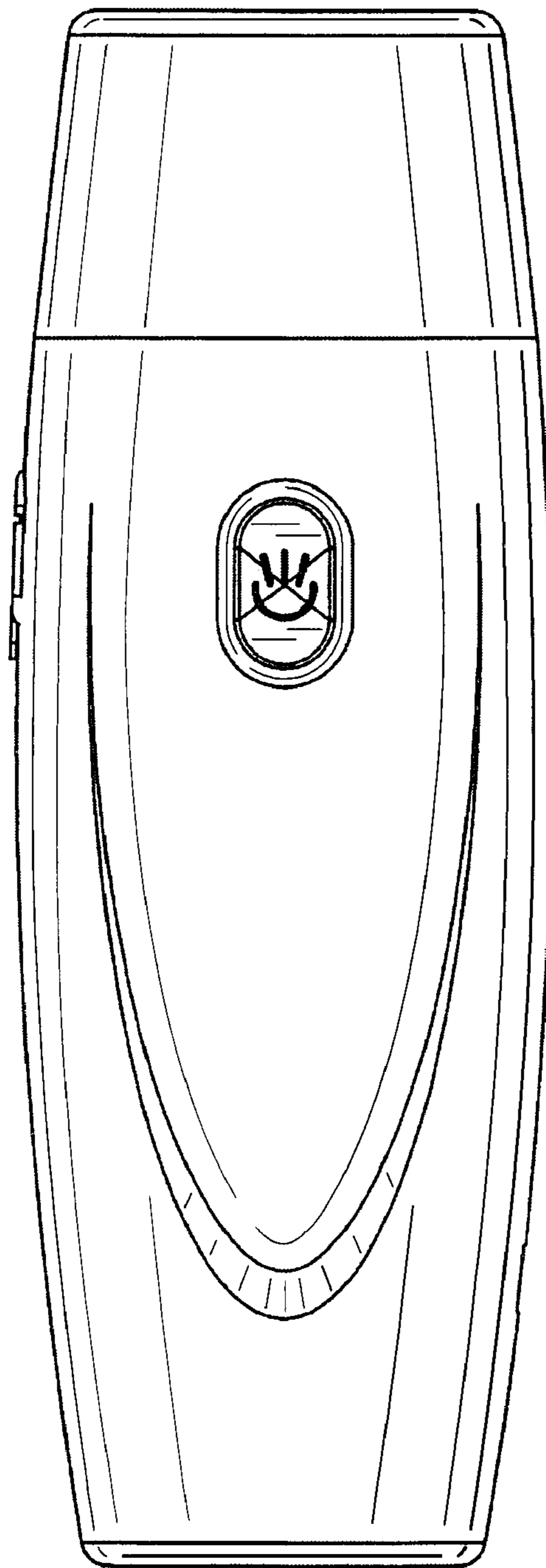


Fig. 2

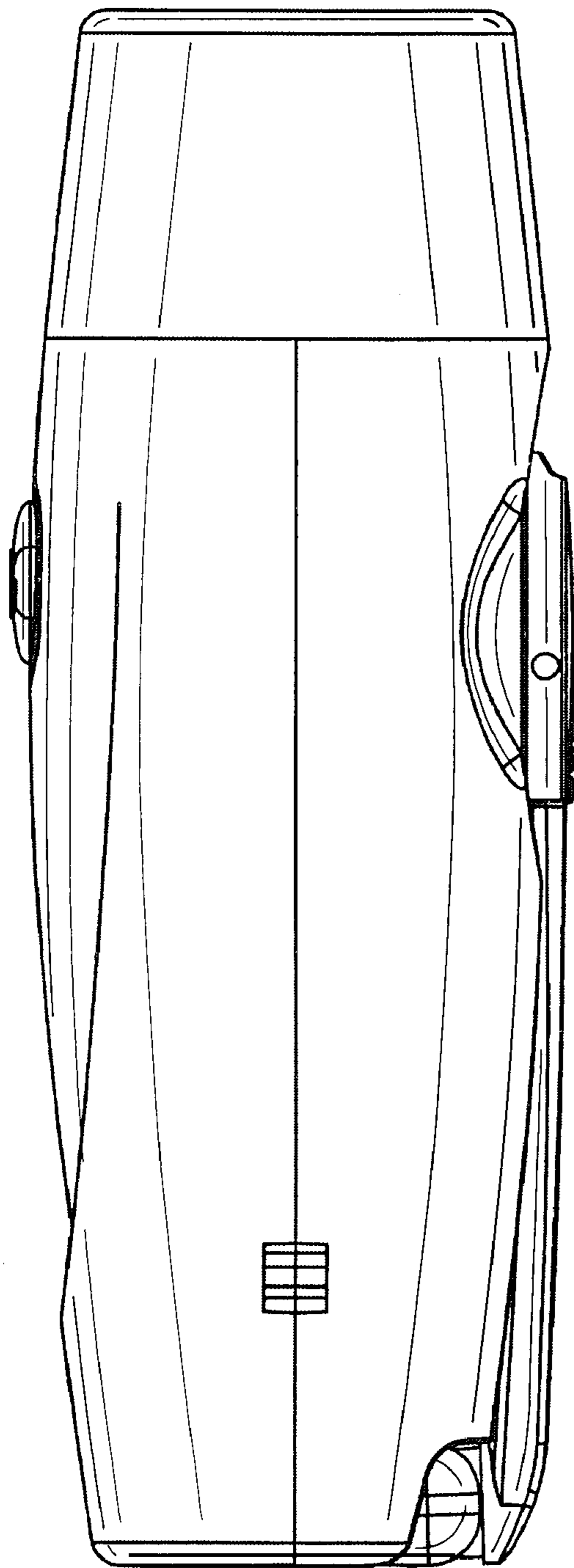


Fig. 3

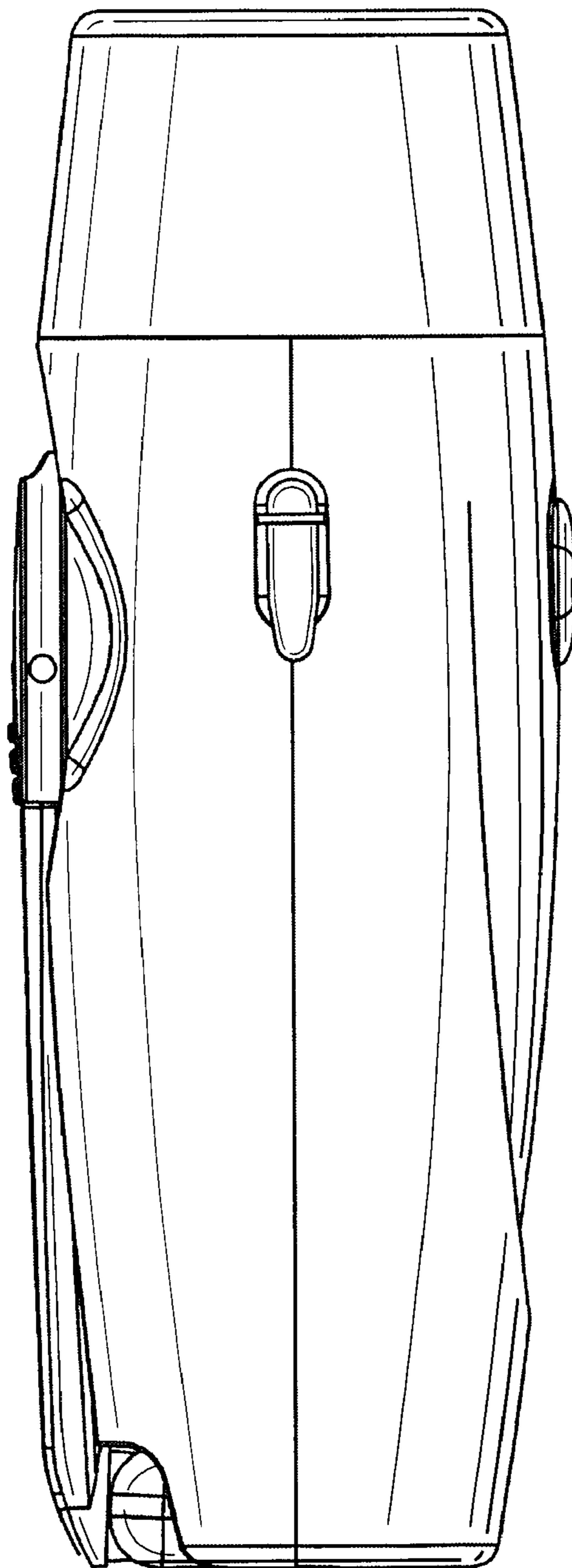


Fig. 4

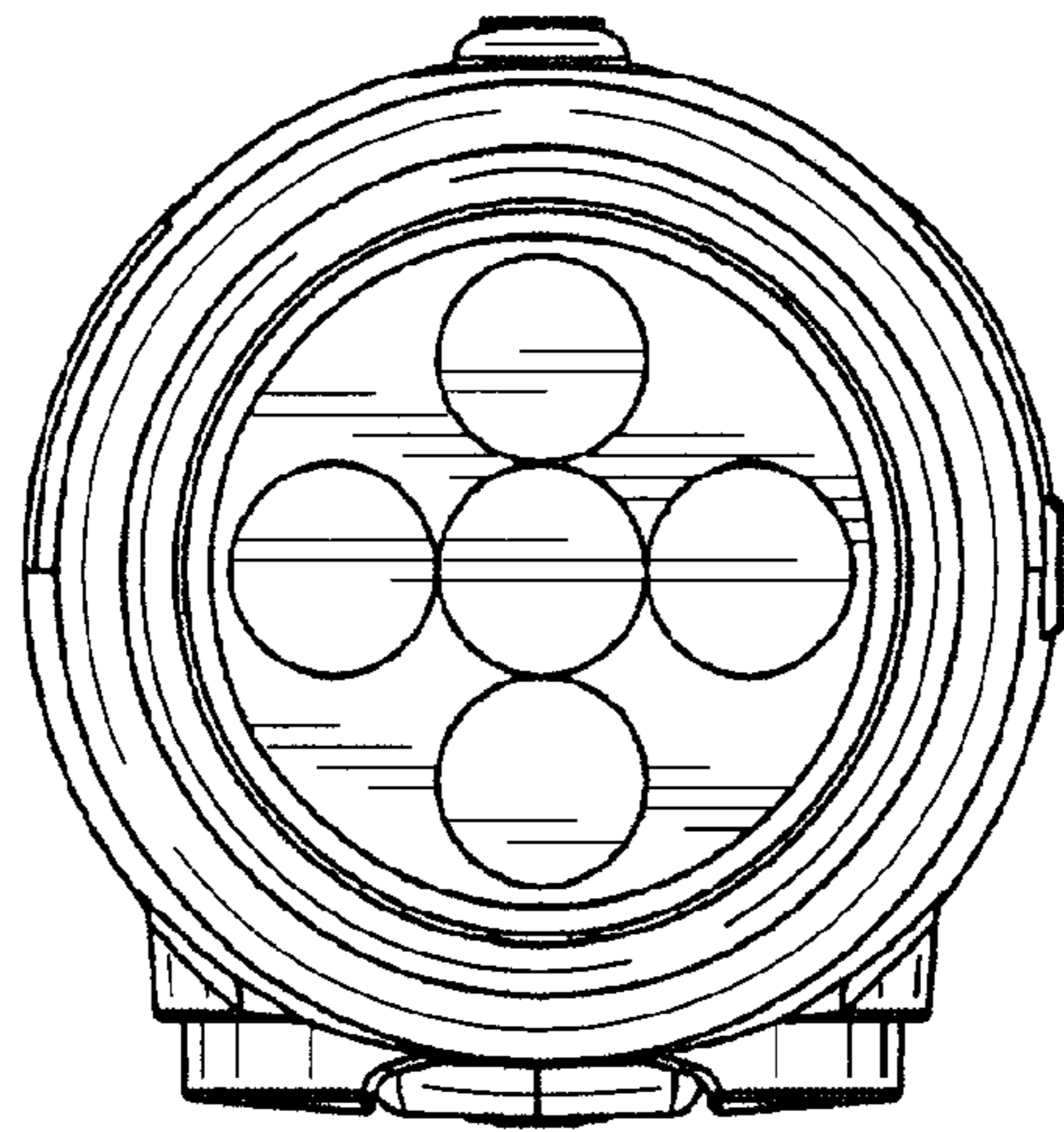


Fig. 5

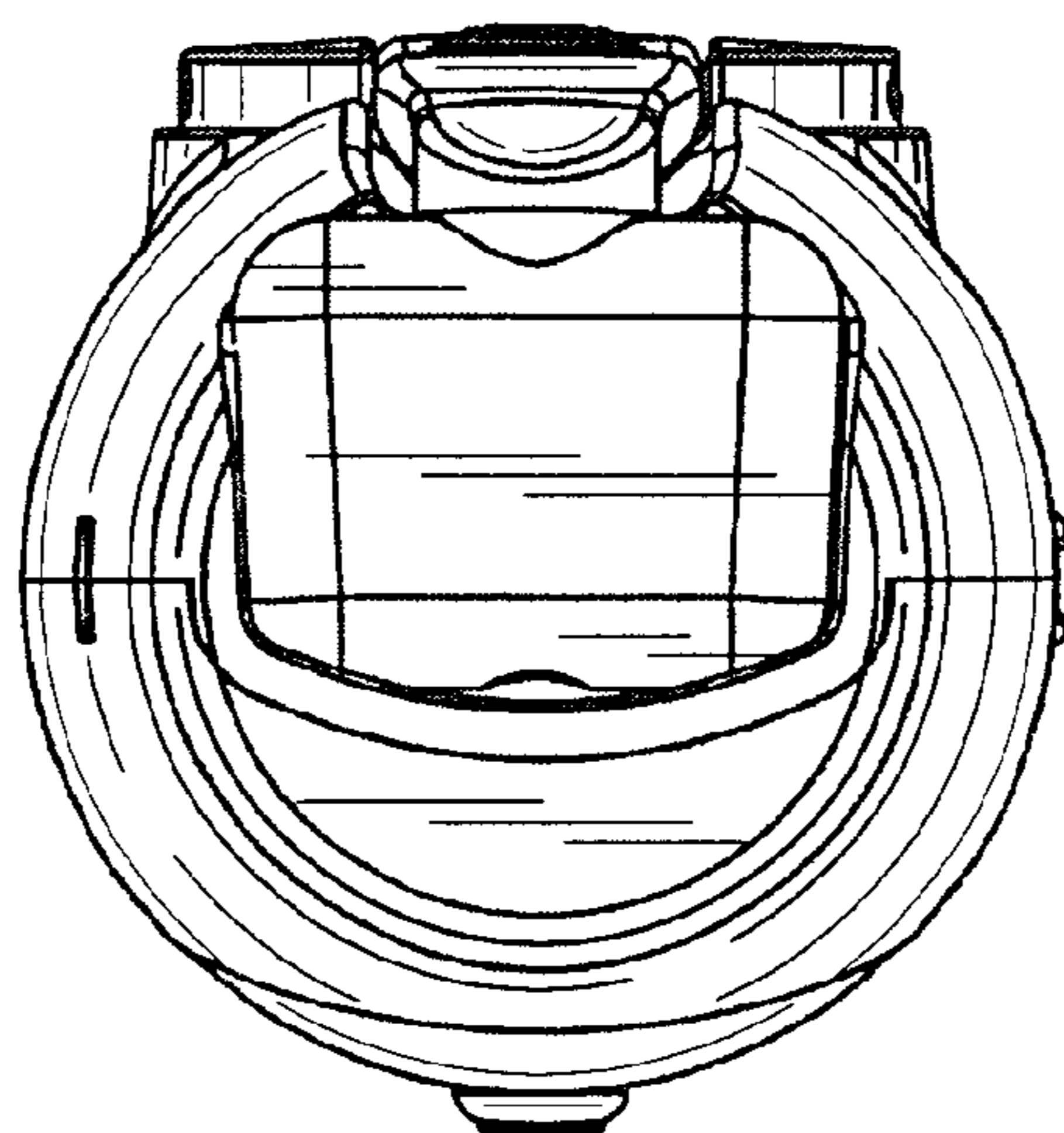


Fig. 6