



US00D537963S

(12) **United States Design Patent**
Vakil et al.

(10) **Patent No.:** **US D537,963 S**
(45) **Date of Patent:** **** Mar. 6, 2007**

(54) **LAMP**

D509,607 S * 9/2005 Egawa D26/3

(75) Inventors: **Usman Vakil**, Walnut, CA (US);
Kamran Mirza, Walnut, CA (US)

* cited by examiner

(73) Assignee: **Lights of America, Inc.**, Walnut, CA (US)

Primary Examiner—Marcus A. Jackson
(74) *Attorney, Agent, or Firm*—Kuta Intellectual Property Law LLC; Christine M. Kuta

(**) Term: **14 Years**

(21) Appl. No.: **29/253,788**

(22) Filed: **Feb. 13, 2006**

(51) **LOC (8) Cl.** **26-04**

(52) **U.S. Cl.** **D26/3**

(58) **Field of Classification Search** D26/1-4;
313/313, 315, 317, 318, 493; 315/52, 53,
315/56, 57, 58

See application file for complete search history.

(57) **CLAIM**

The ornamental design for a lamp, as shown and described.

DESCRIPTION

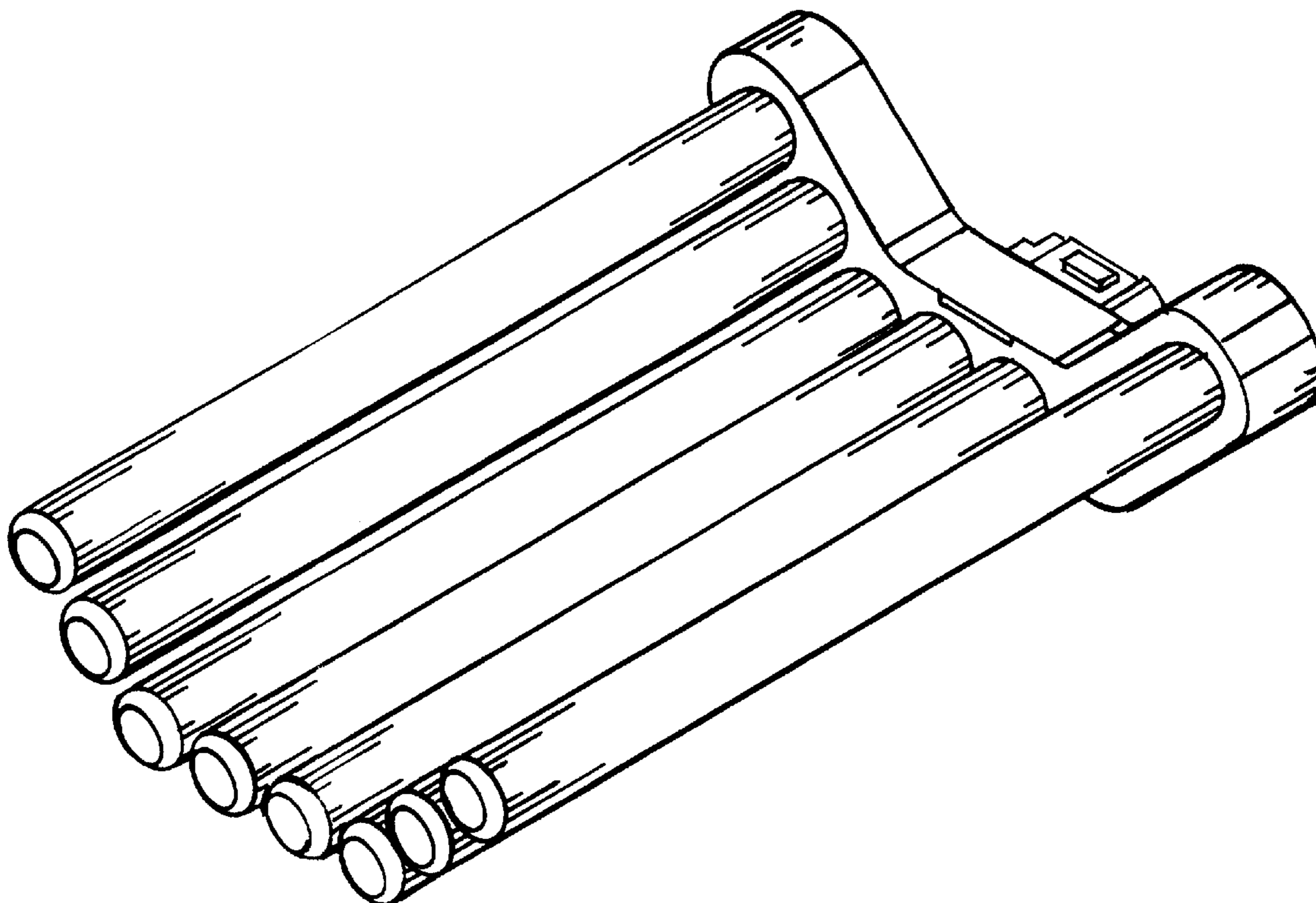
FIG. 1 is an upper-front perspective view of a lamp;
FIG. 2 is a front view of the lamp of FIG. 1;
FIG. 3 is a top view of the lamp of FIG. 1; and,
FIG. 4 is a side view of the lamp of FIG. 1.

(56) **References Cited**

U.S. PATENT DOCUMENTS

D481,471 S * 10/2003 Farmer D26/3

1 Claim, 2 Drawing Sheets



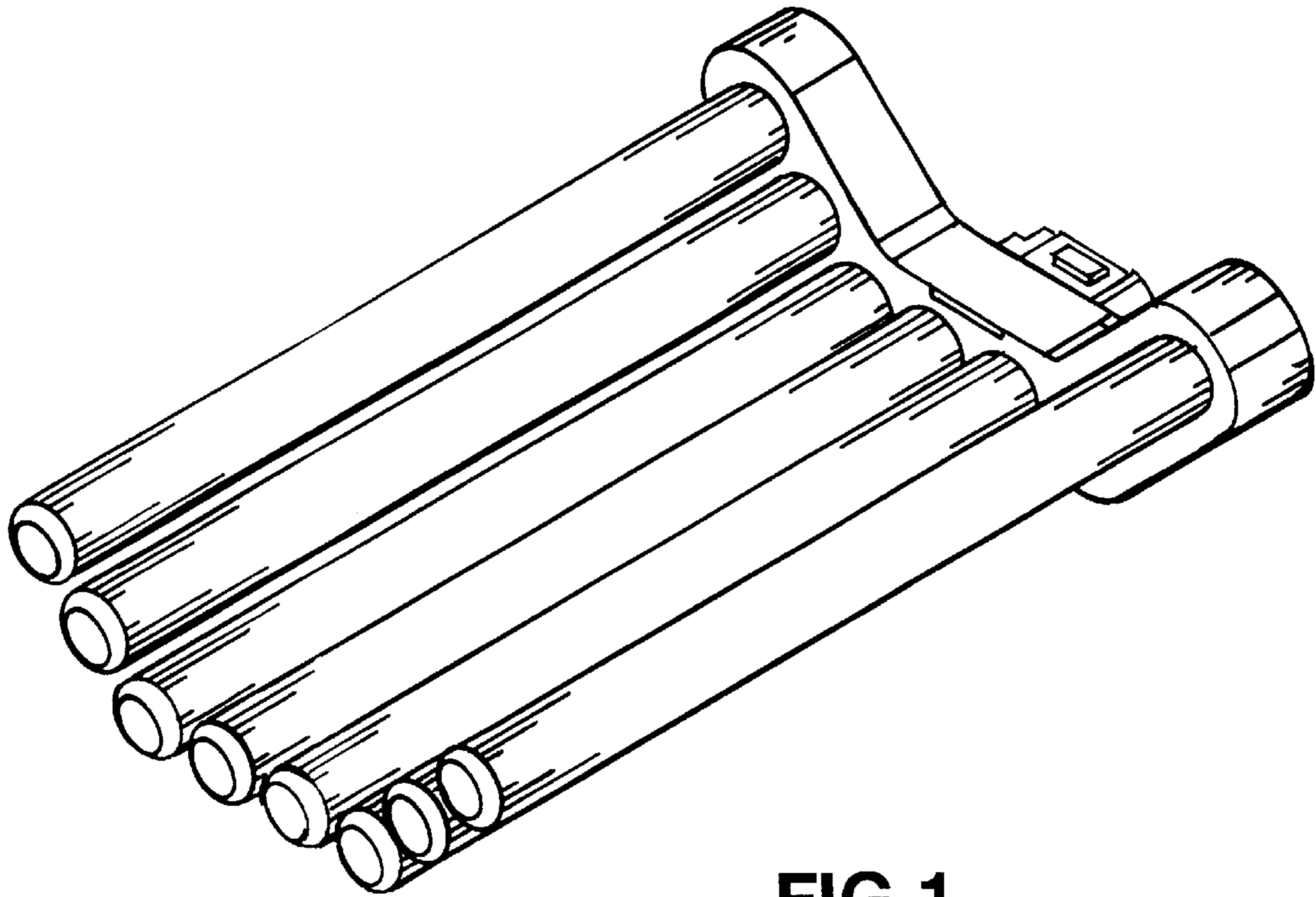


FIG. 1

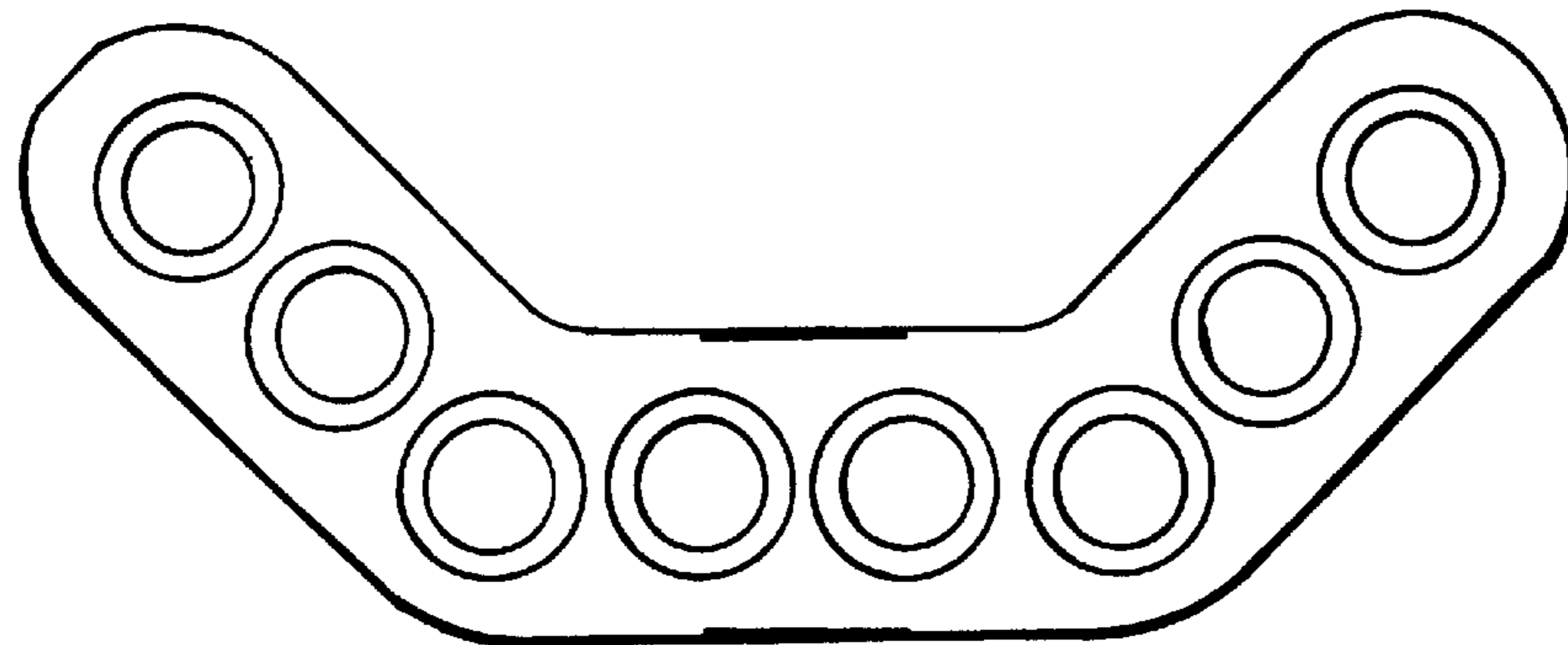


FIG. 2

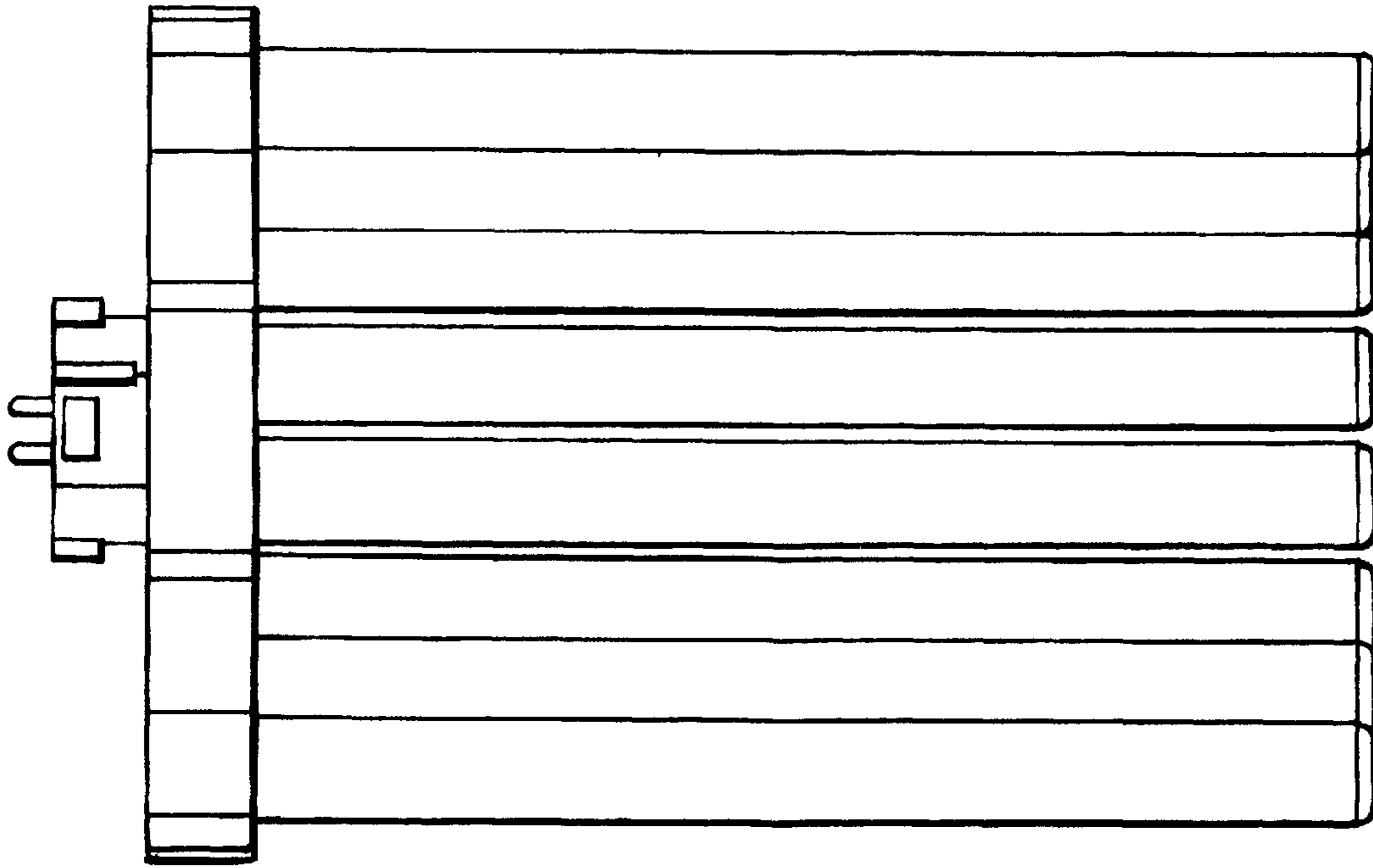


FIG.3

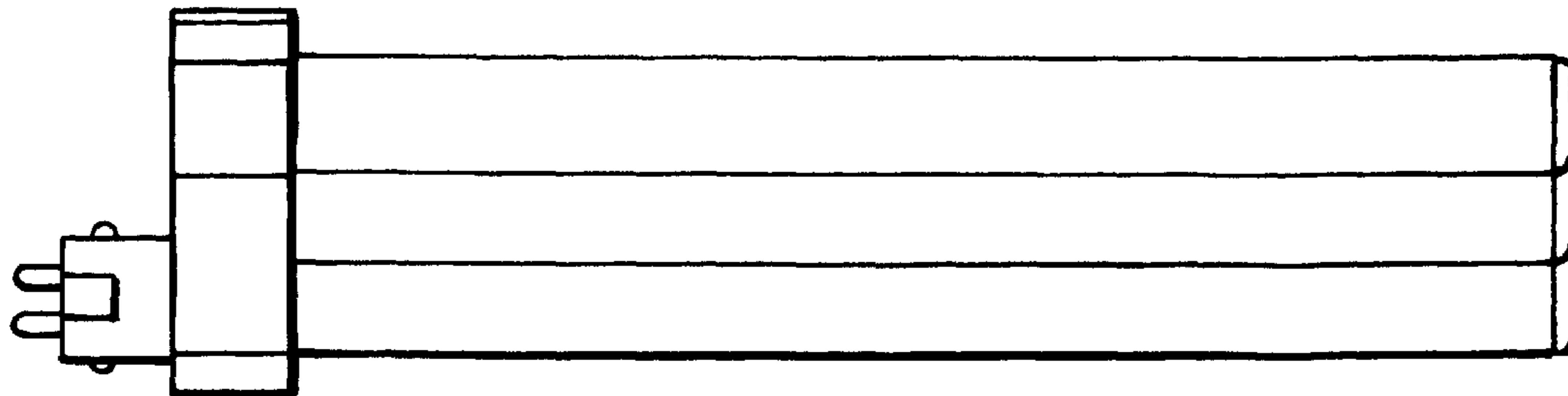


FIG.4