



US00D537962S

(12) **United States Design Patent**
Habeck et al.

(10) **Patent No.:** **US D537,962 S**

(45) **Date of Patent:** **** Mar. 6, 2007**

(54) **BRICK MOLD EXTERIOR CASING FOR VINYL WINDOW HAVING WOOD-LIKE APPEARANCE**

(75) Inventors: **Jerome Carl Habeck**, Westfield, IN (US); **Stanley M. Gursky**, Yardley, PA (US)

(73) Assignee: **CertainTeed Corp.**, Valley Forge, PA (US)

(**) Term: **14 Years**

(21) Appl. No.: **29/241,540**

(22) Filed: **Oct. 28, 2005**

(51) **LOC (8) Cl.** **25-01**

(52) **U.S. Cl.** **D25/124**

(58) **Field of Classification Search** D25/119, D25/124, 125; 52/204.1, 204.2, 204.5, 204.51, 52/656.5, 656.6, 213, 215, 204.71, 204.55, 52/204.593, 204.595, 730.3, 208, 211, 212, 52/656.4; 49/DIG. 2, 504

See application file for complete search history.

(56) **References Cited**

U.S. PATENT DOCUMENTS

2,773,571 A	*	12/1956	Kelly	52/212
4,843,783 A	*	7/1989	Taravella	52/98
6,050,037 A	*	4/2000	Gifford	52/211
6,631,595 B1	*	10/2003	Minter	52/212
D496,742 S	*	9/2004	Franson	D25/124

* cited by examiner

Primary Examiner—Doris Clark

(74) *Attorney, Agent, or Firm*—Duane Morris LLP

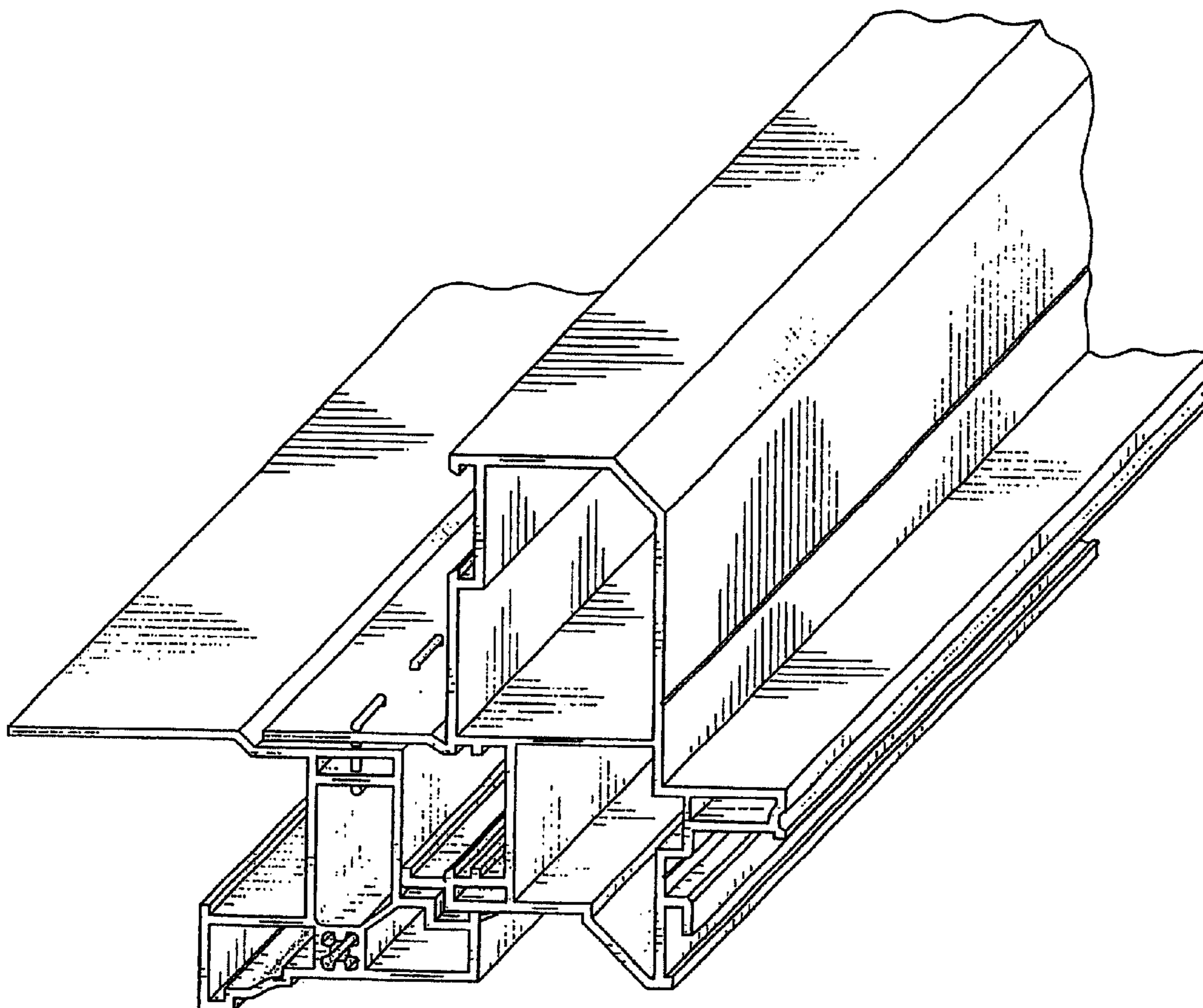
(57) **CLAIM**

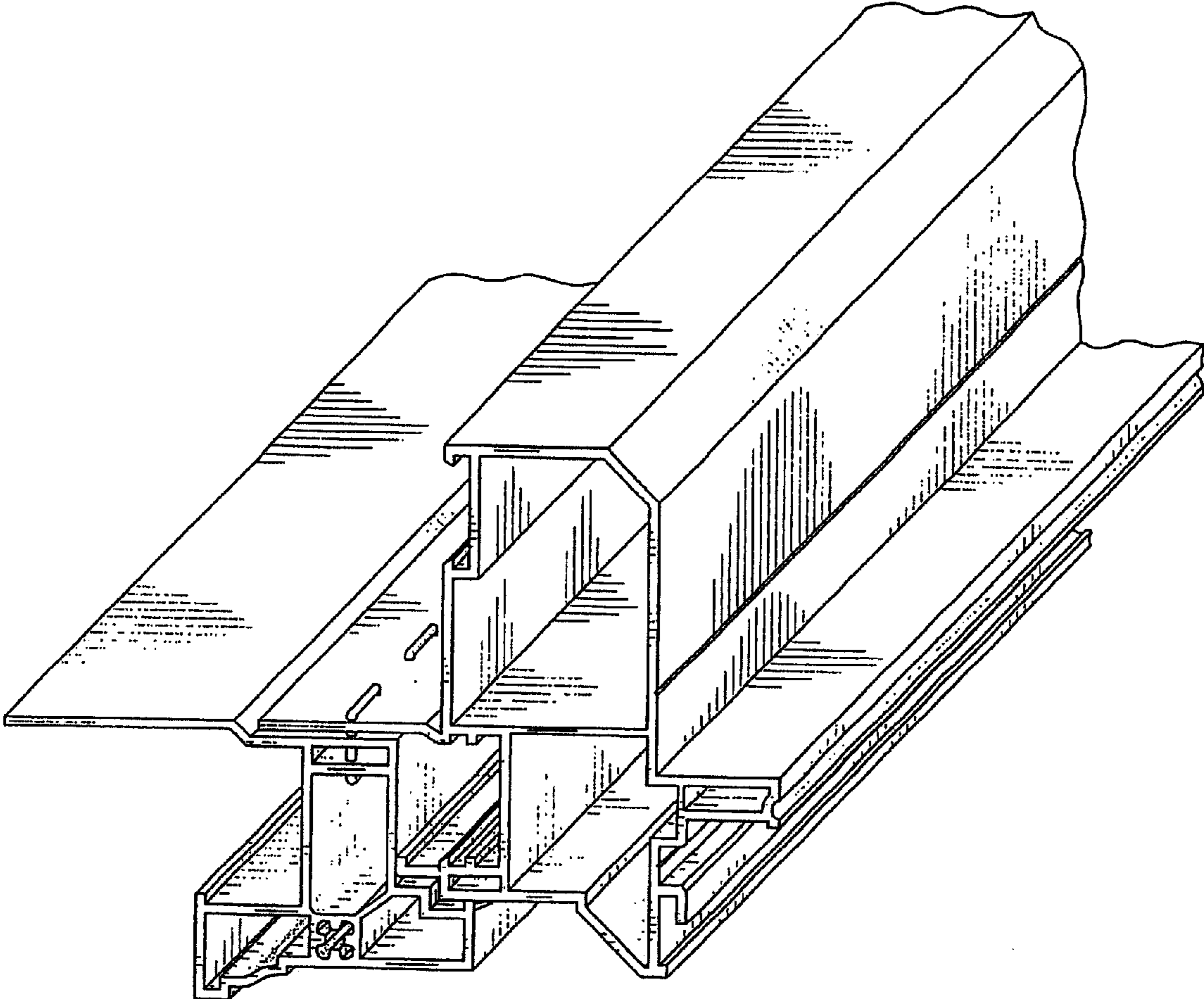
The ornamental design for a brick mold exterior casing for vinyl window having wood-like appearance, as shown and described.

DESCRIPTION

The FIGURE is a front perspective view of a brick mold exterior casing for vinyl window having wood-like appearance, showing our new design.

1 Claim, 1 Drawing Sheet





THE FIGURE