



US00D537960S

(12) **United States Design Patent**
Cole

(10) **Patent No.:** **US D537,960 S**
(45) **Date of Patent:** **** Mar. 6, 2007**

(54) **WINDOW COMPONENT EXTRUSION**

D469,884 S * 2/2003 Franson D25/119
6,740,187 B2 * 5/2004 Schweikart 156/250

(75) Inventor: **Douglas L. Cole**, Seattle, WA (US)

OTHER PUBLICATIONS

(73) Assignee: **Mikron Industries, Inc.**, Kent, WA (US)

Mikron Part No. 8895, Sold Apr. 20, 2004.

(**) Term: **14 Years**

* cited by examiner

(21) Appl. No.: **29/240,811**

Primary Examiner—Doris Clark

(22) Filed: **Oct. 19, 2005**

(74) *Attorney, Agent, or Firm*—Black Lowe & Graham PLLC

(51) **LOC (8) Cl.** **25-01**

(57) **CLAIM**

(52) **U.S. Cl.** **D25/119**

The ornamental design for a window component extrusion, as shown and described.

(58) **Field of Classification Search** D25/119,
D25/124, 125; 52/204.1, 204.2, 204.5, 204.51,
52/656.5, 656.6, 213, 215, 204.71, 204.55,
52/204.593, 204.595, 730.3, 208; 49/DIG. 2,
49/504

DESCRIPTION

See application file for complete search history.

FIG. 1 is a top right perspective view of the window component extrusion which is broken in the center indicating indefinite length; and,

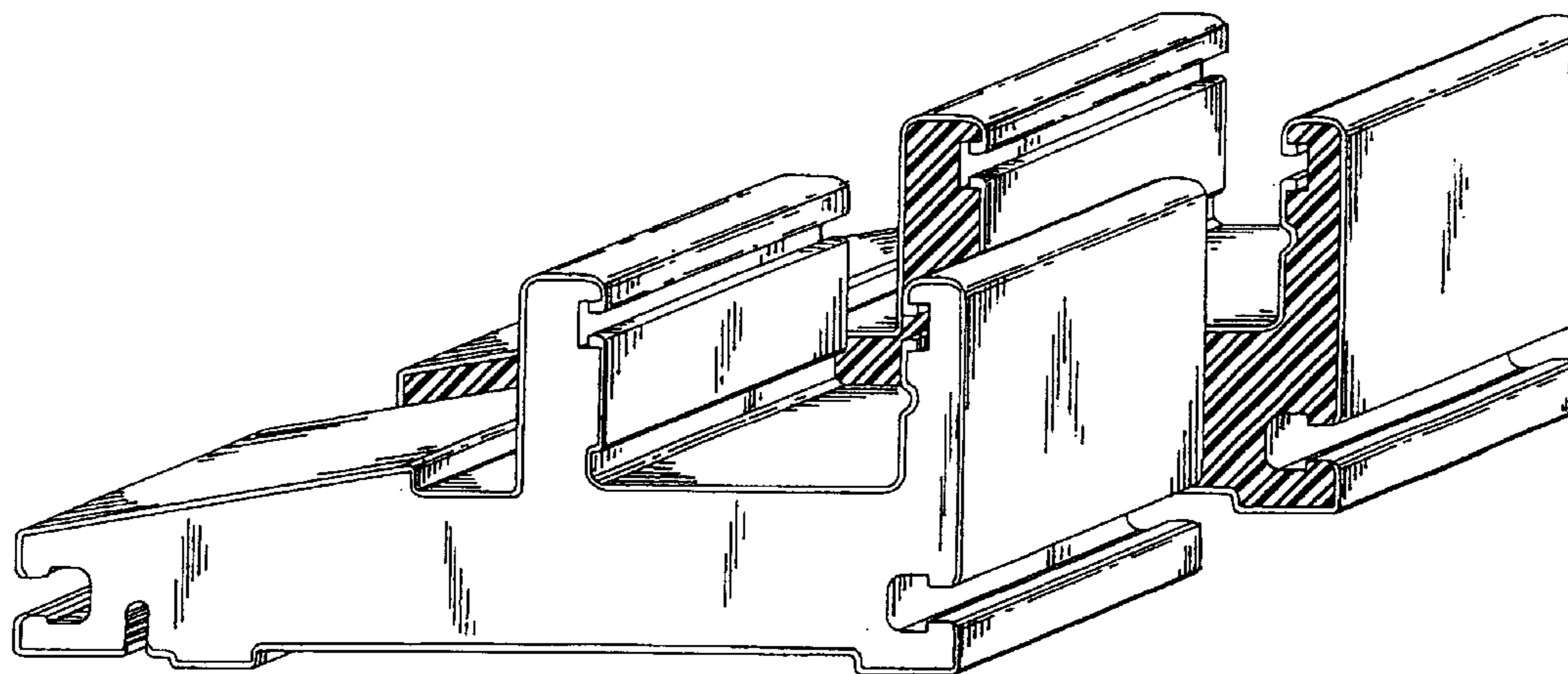
FIG. 2 is a bottom left perspective view of the window component extrusion shown in FIG. 1.

(56) **References Cited**

U.S. PATENT DOCUMENTS

4,922,661 A * 5/1990 Dallaire et al. 49/504

1 Claim, 2 Drawing Sheets



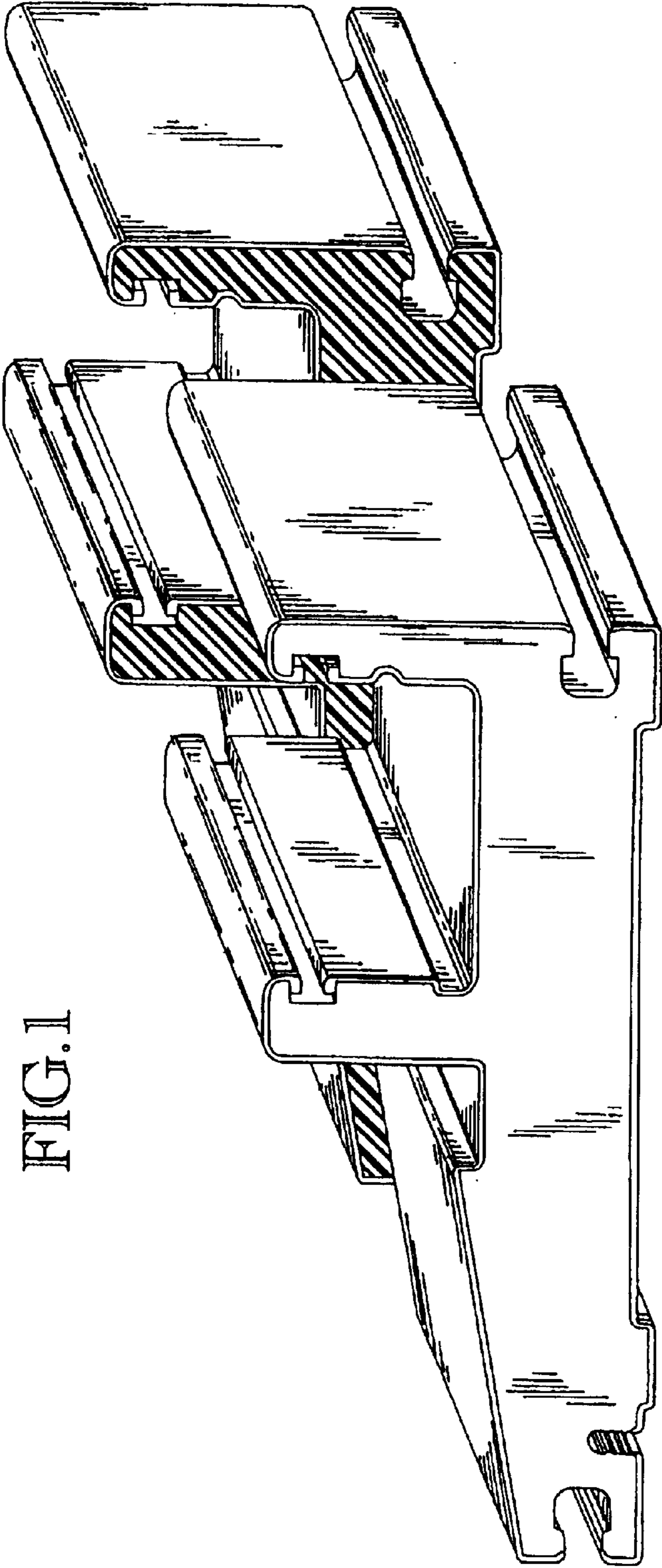


FIG. 1

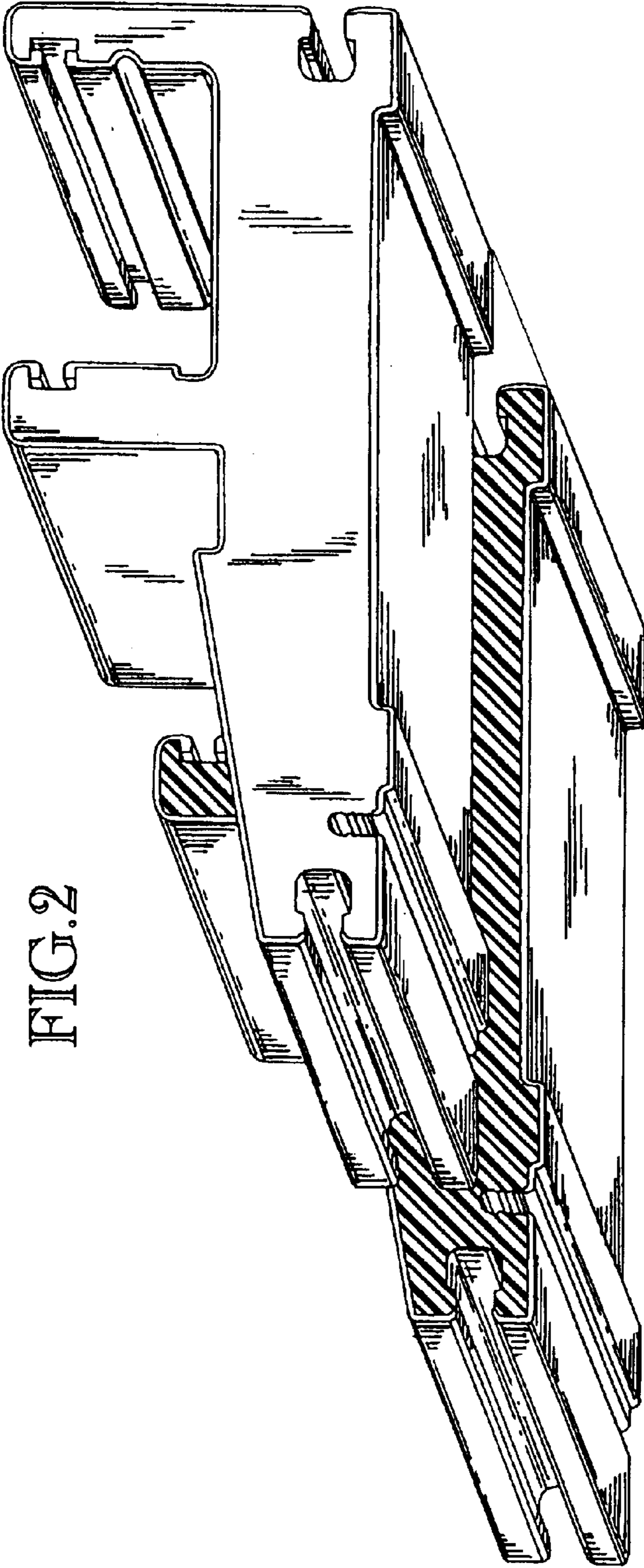


FIG. 2