



US00D537952S

(12) **United States Design Patent**
Anton

(10) **Patent No.:** **US D537,952 S**
(45) **Date of Patent:** **** Mar. 6, 2007**

(54) **CART CORRAL**

Primary Examiner—Doris Clark

(76) Inventor: **Van Es Anton**, 4664 Ontario Street,
Beamsville, Ontario (CA), L0R 1B5

(57) **CLAIM**

The ornamental design for a cart corral, as shown.

(**) Term: **14 Years**

DESCRIPTION

(21) Appl. No.: **29/243,411**

FIG. 1 is an end elevational view of the present design a cart corral.

(22) Filed: **Nov. 25, 2005**

FIG. 2 is a left elevational view of the present design a cart corral.

(51) **LOC (8) Cl.** **25-03**

(52) **U.S. Cl.** **D25/18**

(58) **Field of Classification Search** D25/18,
D25/22, 50, 38, 39; 211/17, 22; 52/33; 194/905;
D6/462

FIG. 3 is a perspective view of the present design a cart corral.

See application file for complete search history.

FIG. 4 is a right side elevational view of the present design a cart corral.

(56) **References Cited**

U.S. PATENT DOCUMENTS

4,236,697	A	*	12/1980	Savino	256/1
D274,653	S	*	7/1984	Peiren	D25/1
D361,448	S	*	8/1995	Buckley	D6/462
5,551,578	A	*	9/1996	McCue et al.	211/17
D376,854	S	*	12/1996	DiPaolo et al.	D25/18
D402,375	S	*	12/1998	Cook	D25/38
6,581,616	B1	*	6/2003	Venegas, Jr.	135/121
D487,949	S	*	3/2004	Unnerstall et al.	D34/17

FIG. 5 is right side perspective view of a second embodiment of the present design a cart corral.

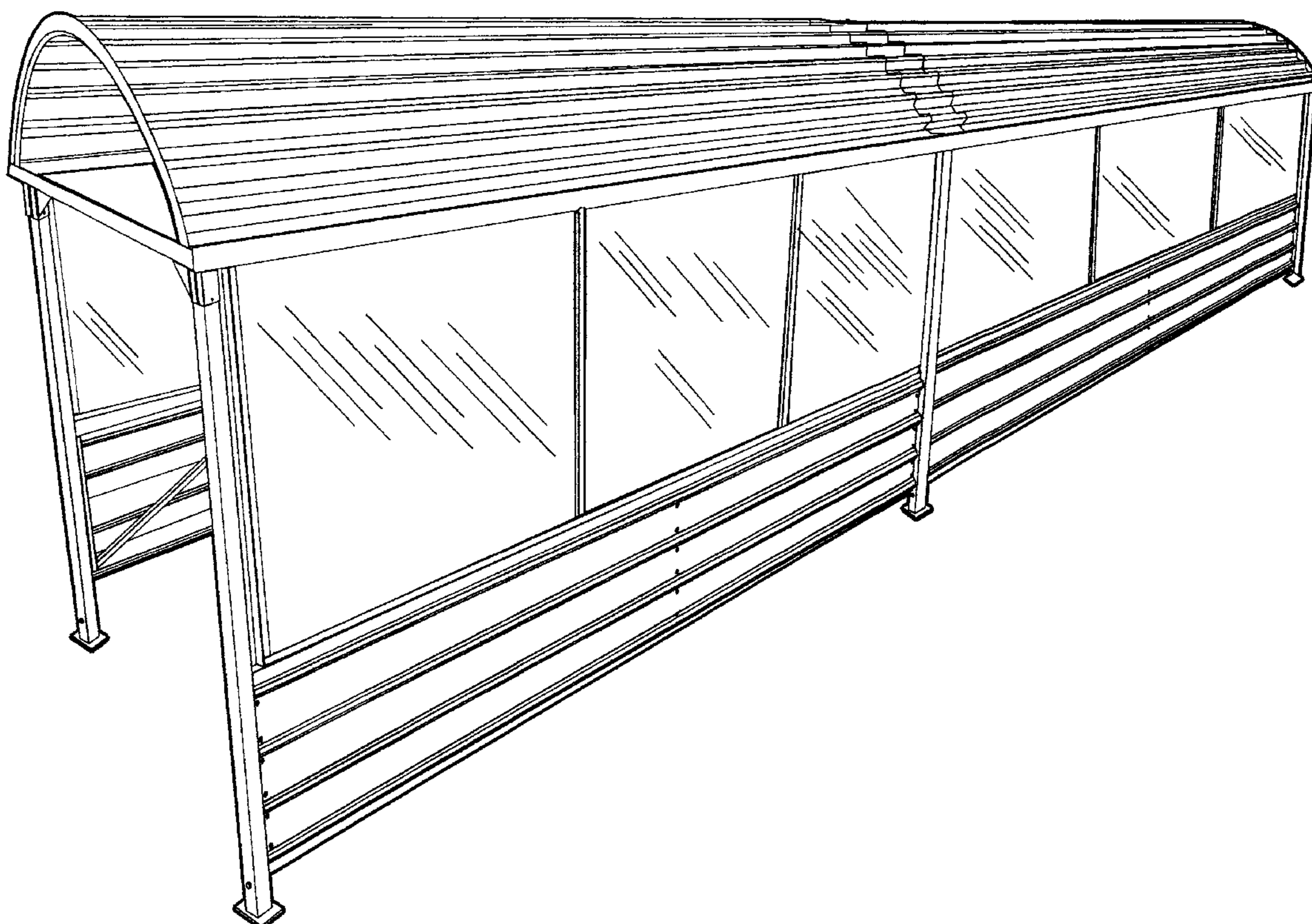
FIG. 6 is a left side perspective view of the present design a second embodiment of the cart corral.

FIG. 7 is an end elevational view of the second embodiment of the present design a cart corral; and,

FIG. 8 is a side elevational view of the second embodiment of the present design a cart corral.

* cited by examiner

1 Claim, 8 Drawing Sheets



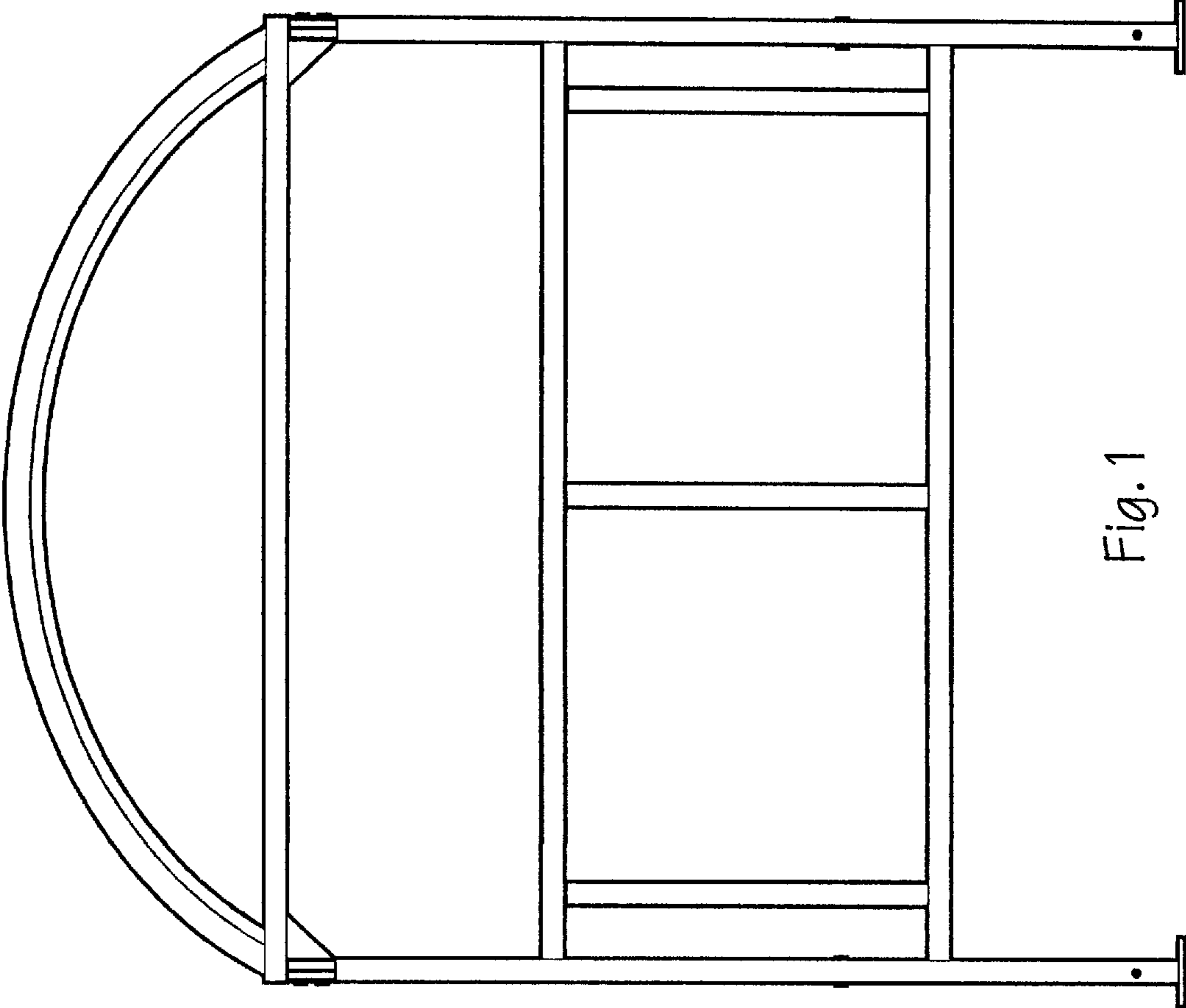
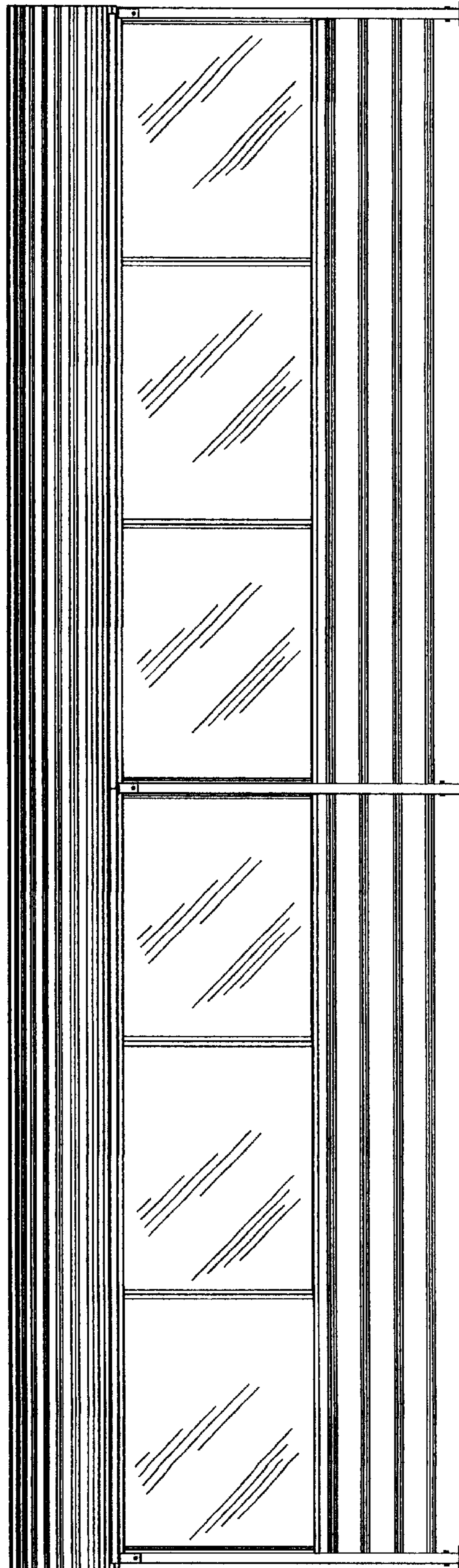


Fig. 1

Fig. 2



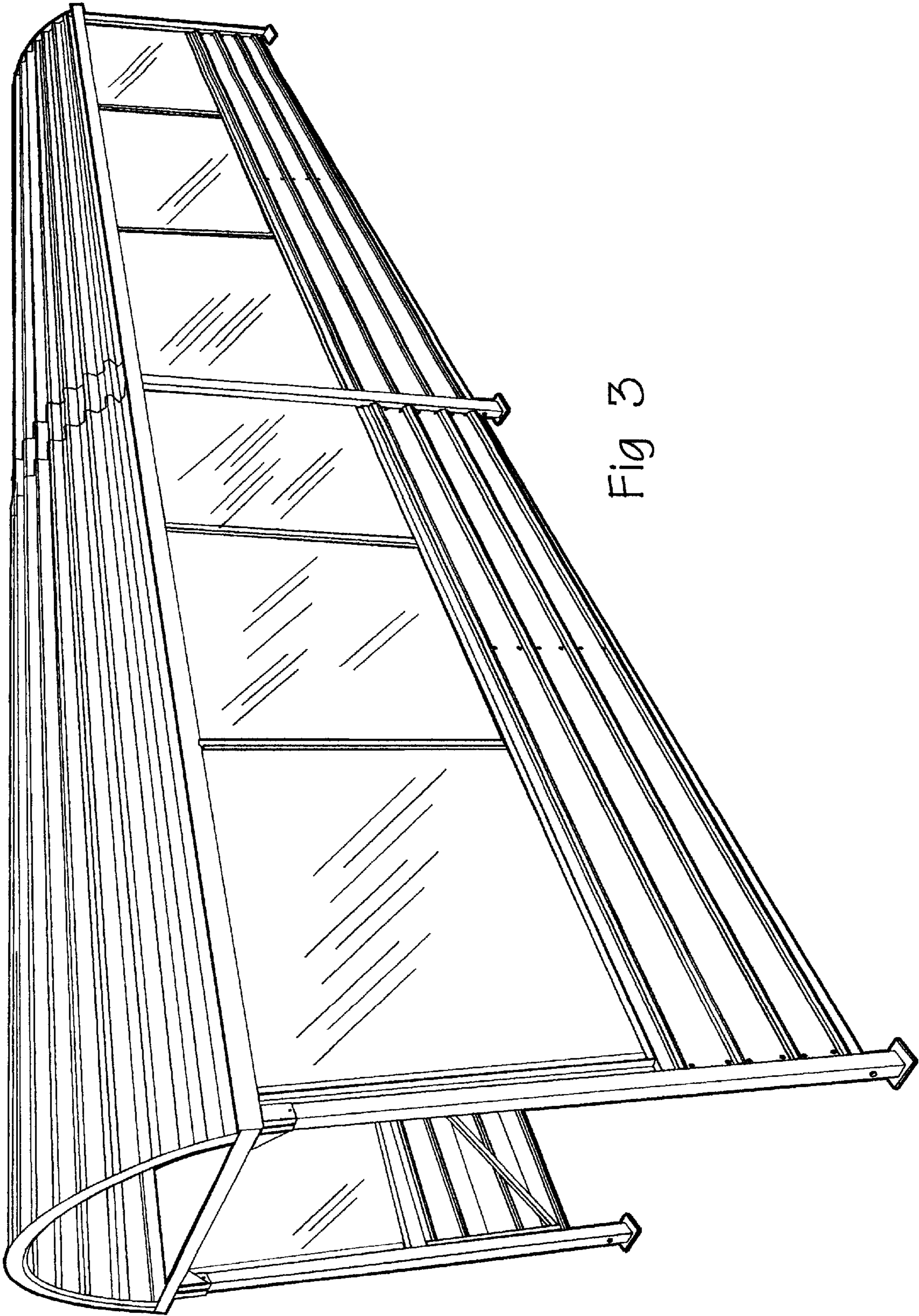
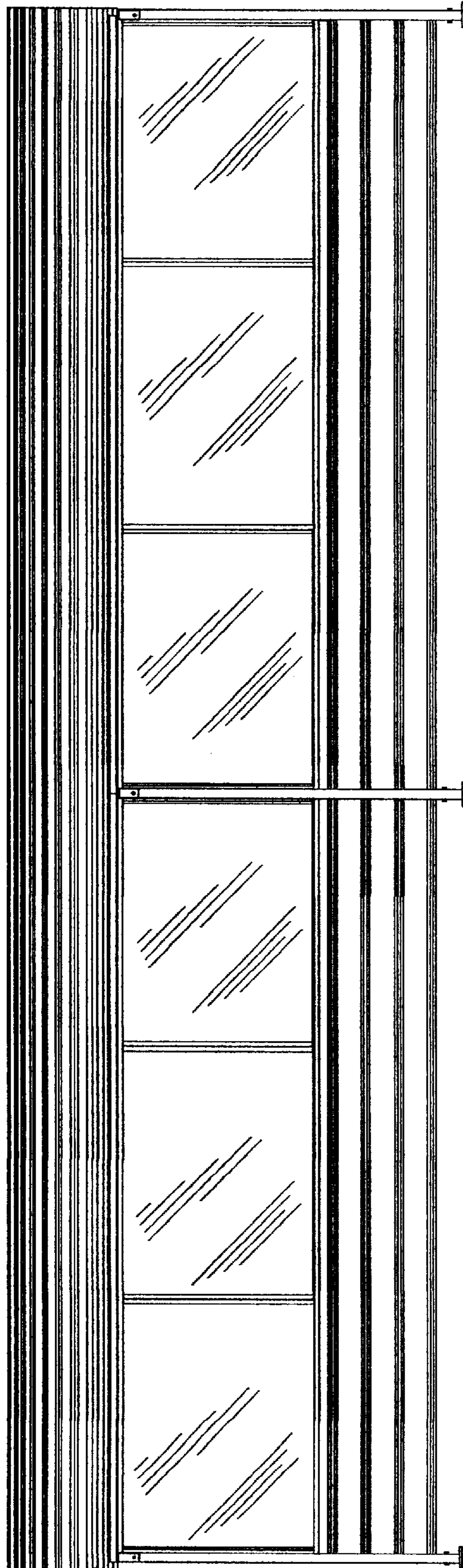


Fig 3

Fig. 4



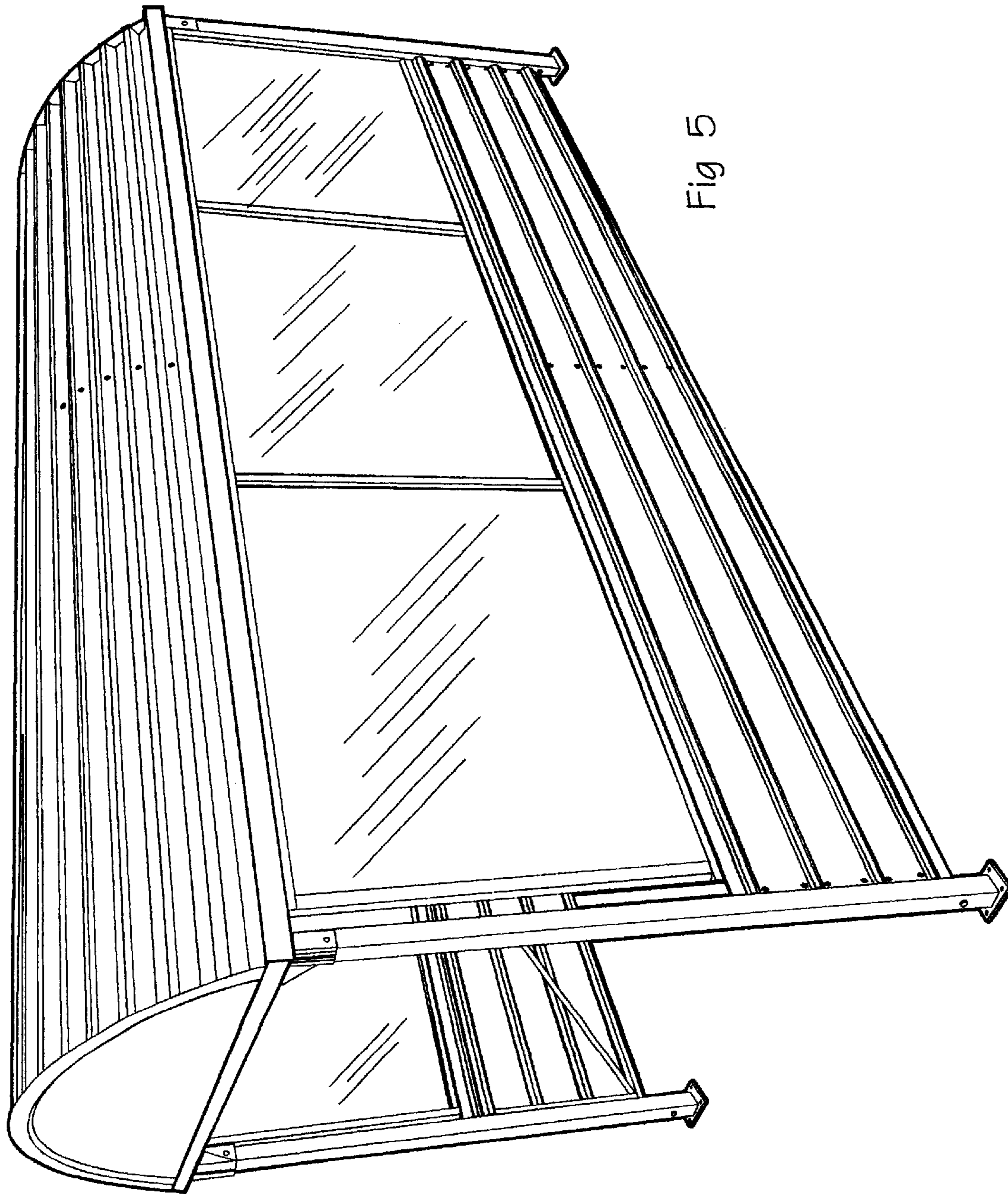


Fig 5

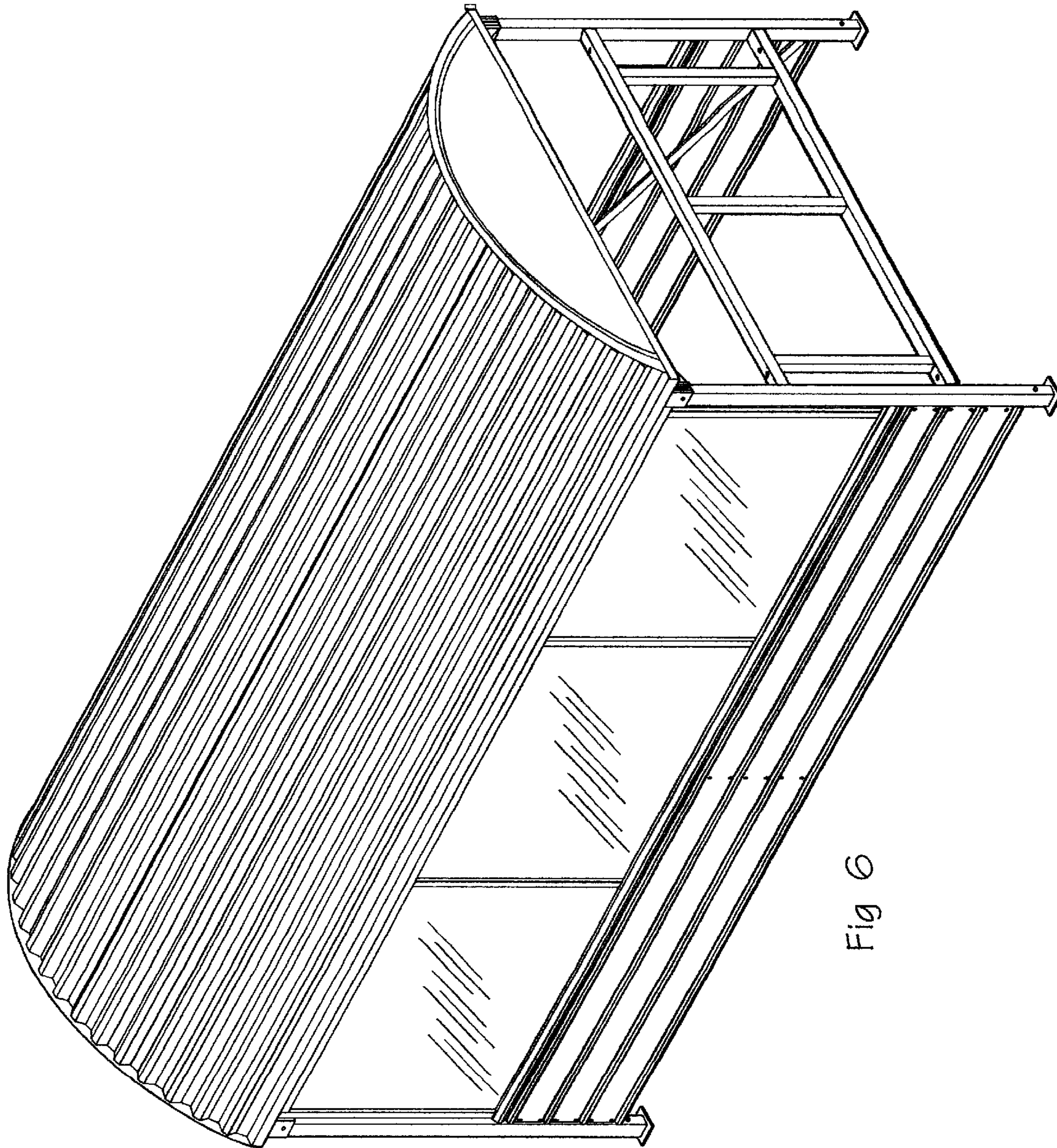


Fig 6

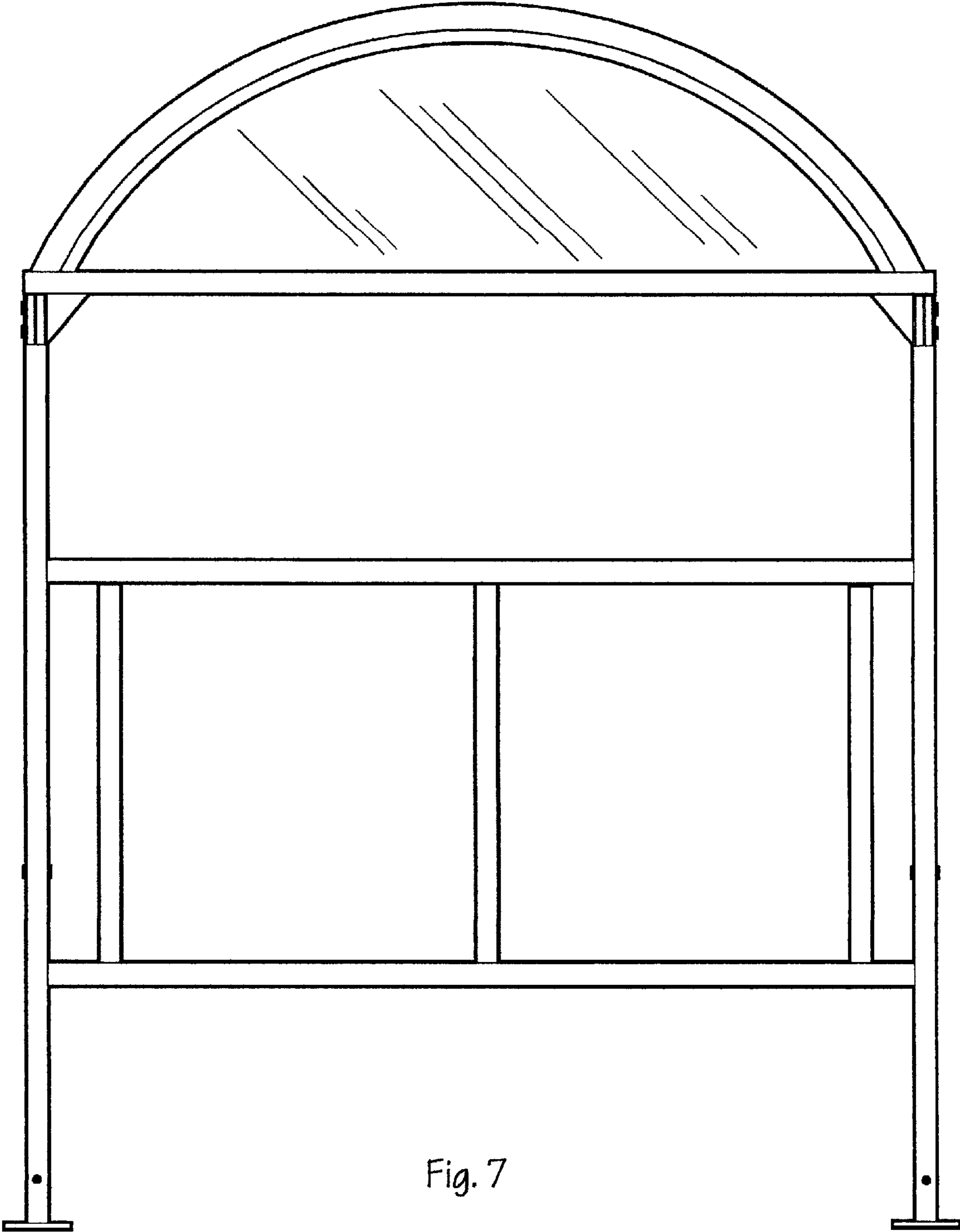


Fig. 7

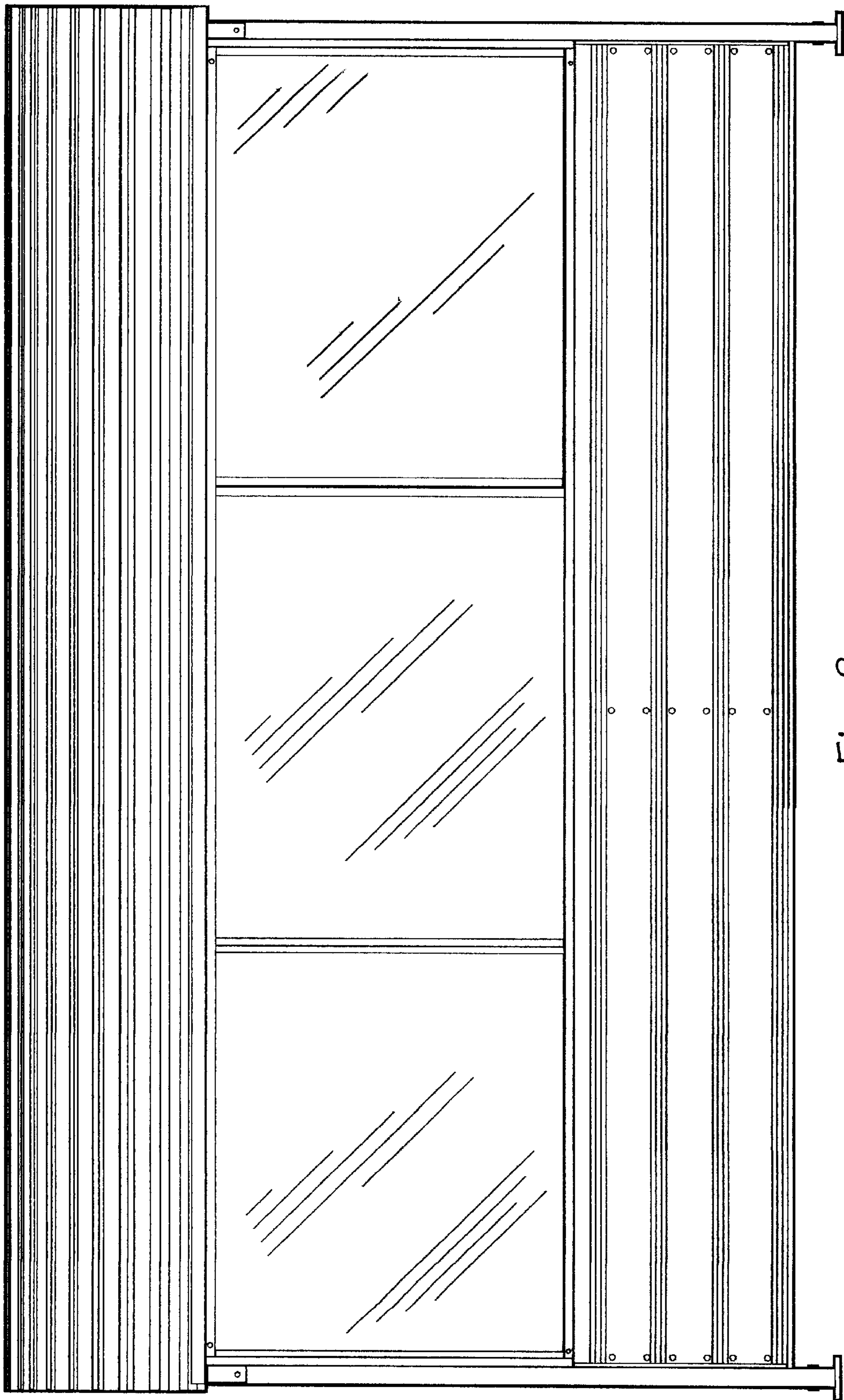


Fig. 8