



US00D537951S

(12) **United States Design Patent**
Okamoto et al.

(10) **Patent No.:** **US D537,951 S**
(45) **Date of Patent:** **** Mar. 6, 2007**

(54) **GENE AMPLIFICATION APPARATUS**

(75) Inventors: **Yasutoshi Okamoto**, Osaka-fu (JP);
Hidehiko Sato, Osaka-fu (JP); **Akihiro Mochizuki**, Osaka-fu (JP)

(73) Assignee: **Sanyo Electric Co., Ltd.**, Osaka-fu (JP)

(**) Term: **14 Years**

(21) Appl. No.: **29/258,401**

(22) Filed: **Apr. 20, 2006**

(30) **Foreign Application Priority Data**

Oct. 21, 2005 (JP) 2005-030926

(51) **LOC (8) Cl.** **24-01**

(52) **U.S. Cl.** **D24/233**

(58) **Field of Classification Search** D24/216-234;
D10/81; 422/50-53, 62-63, 68.1, 83, 99
See application file for complete search history.

(56) **References Cited**

U.S. PATENT DOCUMENTS

D256,726 S * 9/1980 Meuli et al. D10/81
D378,782 S * 4/1997 LaBarbera et al. D24/216
D421,653 S * 3/2000 Purcell D24/223
6,333,007 B1 * 12/2001 Svensson et al. 422/57
D467,349 S * 12/2002 Niedbala et al. D24/231

D474,279 S * 5/2003 Mayer et al. D24/232
D474,280 S * 5/2003 Niedbala et al. D24/232
D515,220 S * 2/2006 Miller et al. D10/81
D516,221 S * 2/2006 Wohlstadter et al. D24/216
D527,464 S * 8/2006 Ina et al. D24/232

* cited by examiner

Primary Examiner—Robert A. Delehanty

Assistant Examiner—Mark Cavanna

(74) *Attorney, Agent, or Firm*—Weingarten, Schurgin,
Gagnebin & Lebovici LLP

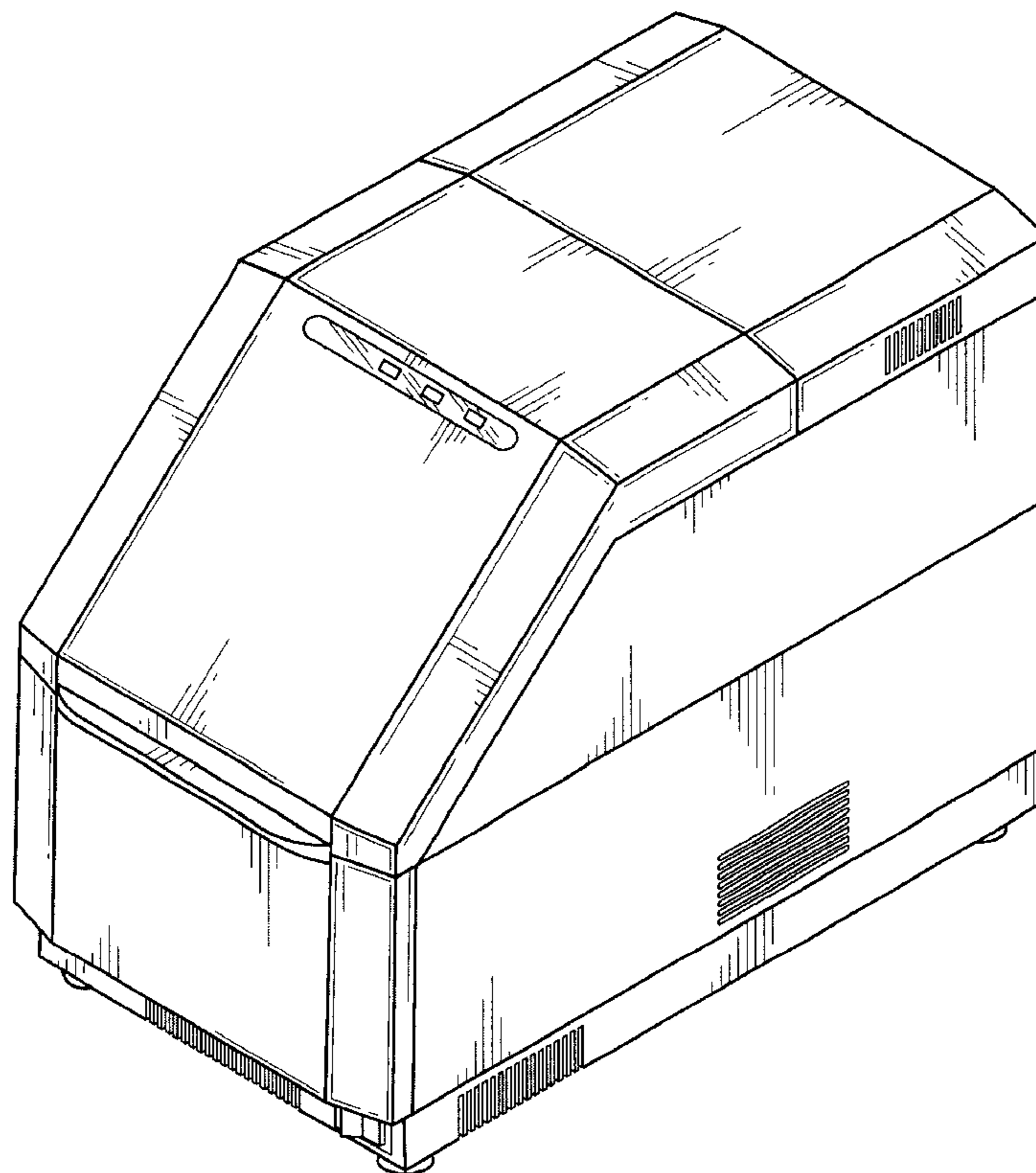
(57) **CLAIM**

The ornamental design for gene amplification apparatus, as shown.

DESCRIPTION

FIG. 1 is a perspective view thereof looking from the upper right-side direction of gene amplification apparatus;
FIG. 2 is a front view thereof;
FIG. 3 is a rear view thereof;
FIG. 4 is a top view thereof;
FIG. 5 is a bottom view thereof;
FIG. 6 is a right-side view thereof; and
FIG. 7 is a left-side view thereof; and,
FIG. 8 is a perspective view thereof showing the status of opening of a front cover of gene amplification apparatus.

1 Claim, 5 Drawing Sheets



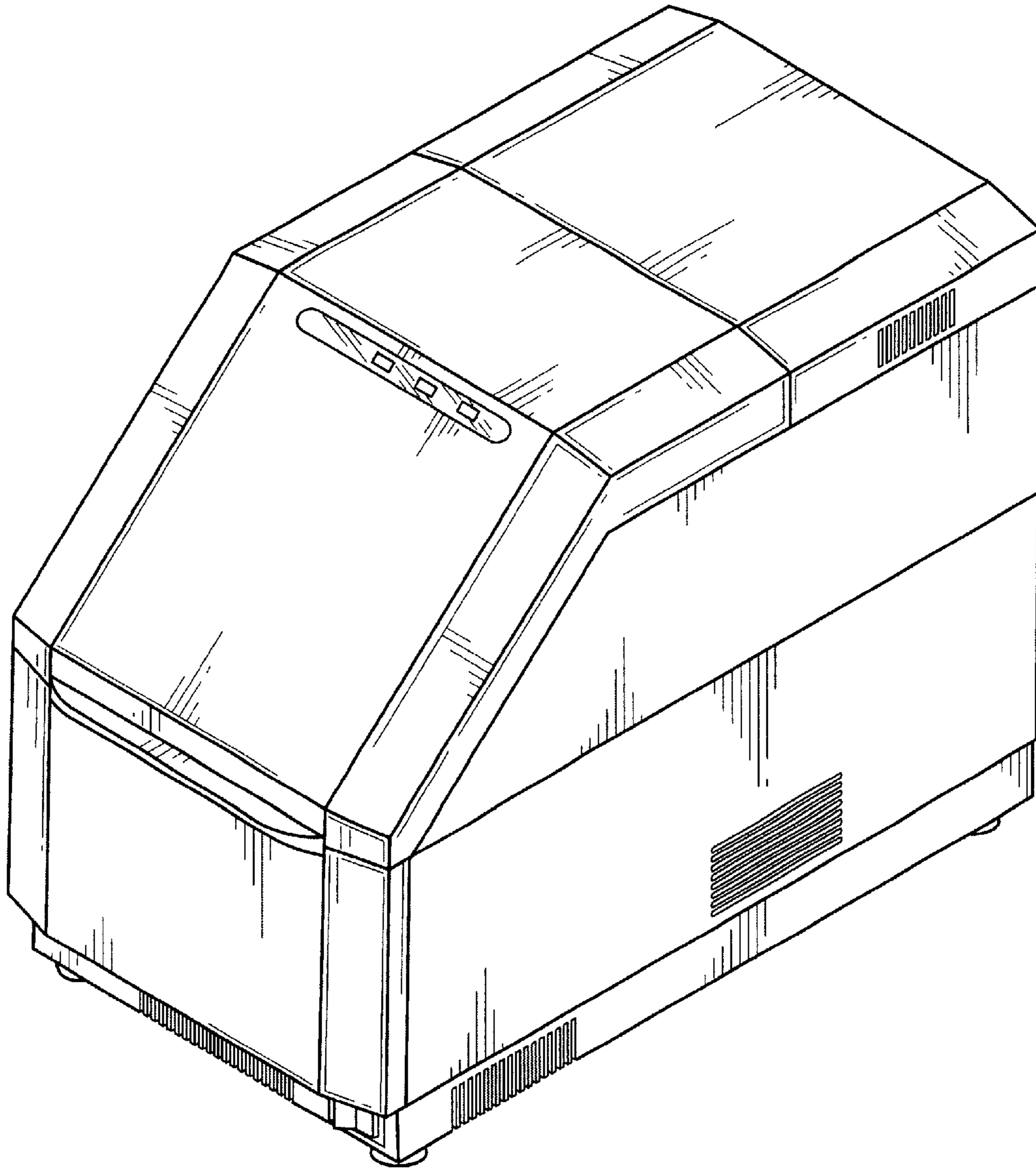


FIG. 1

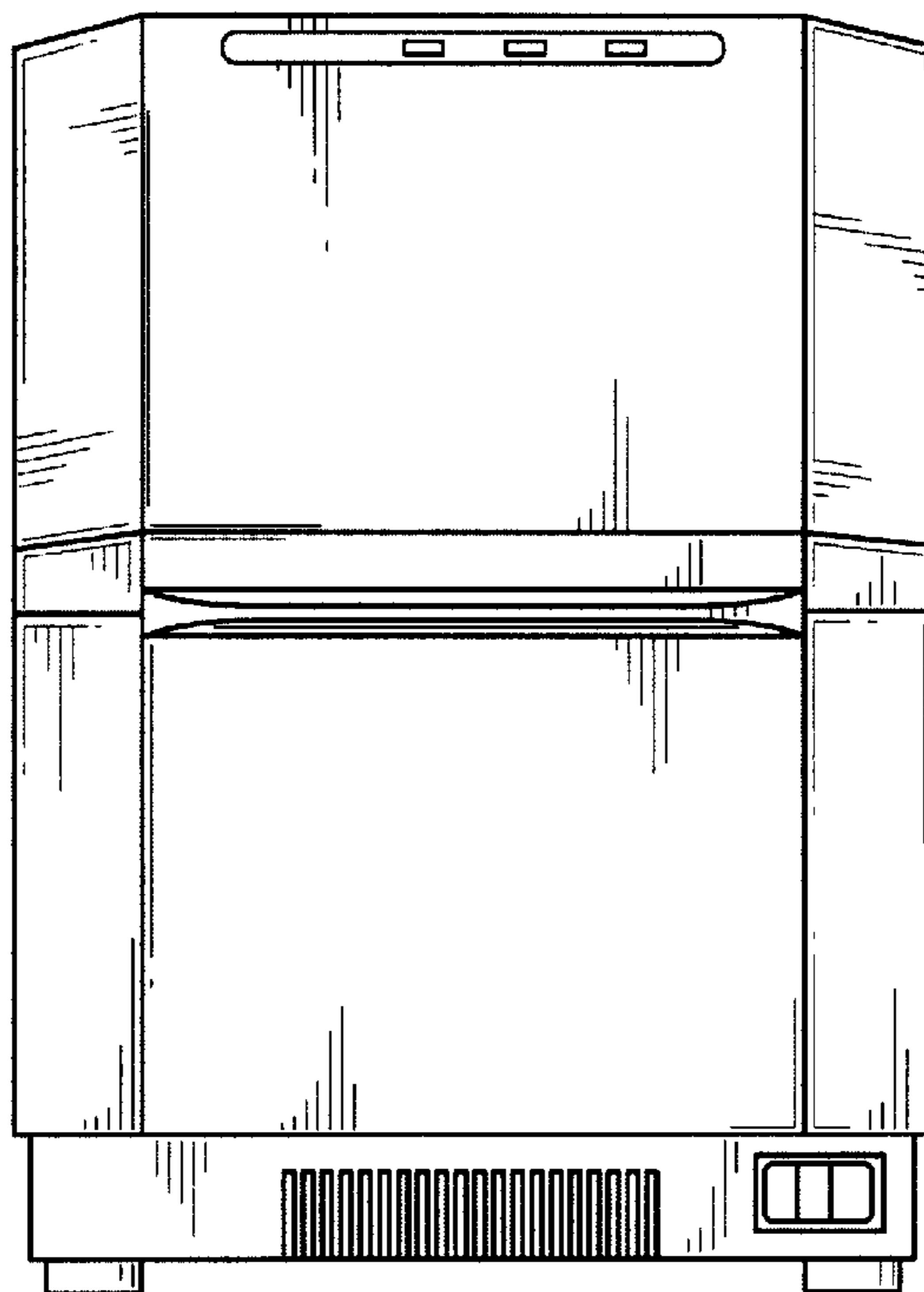


FIG. 2

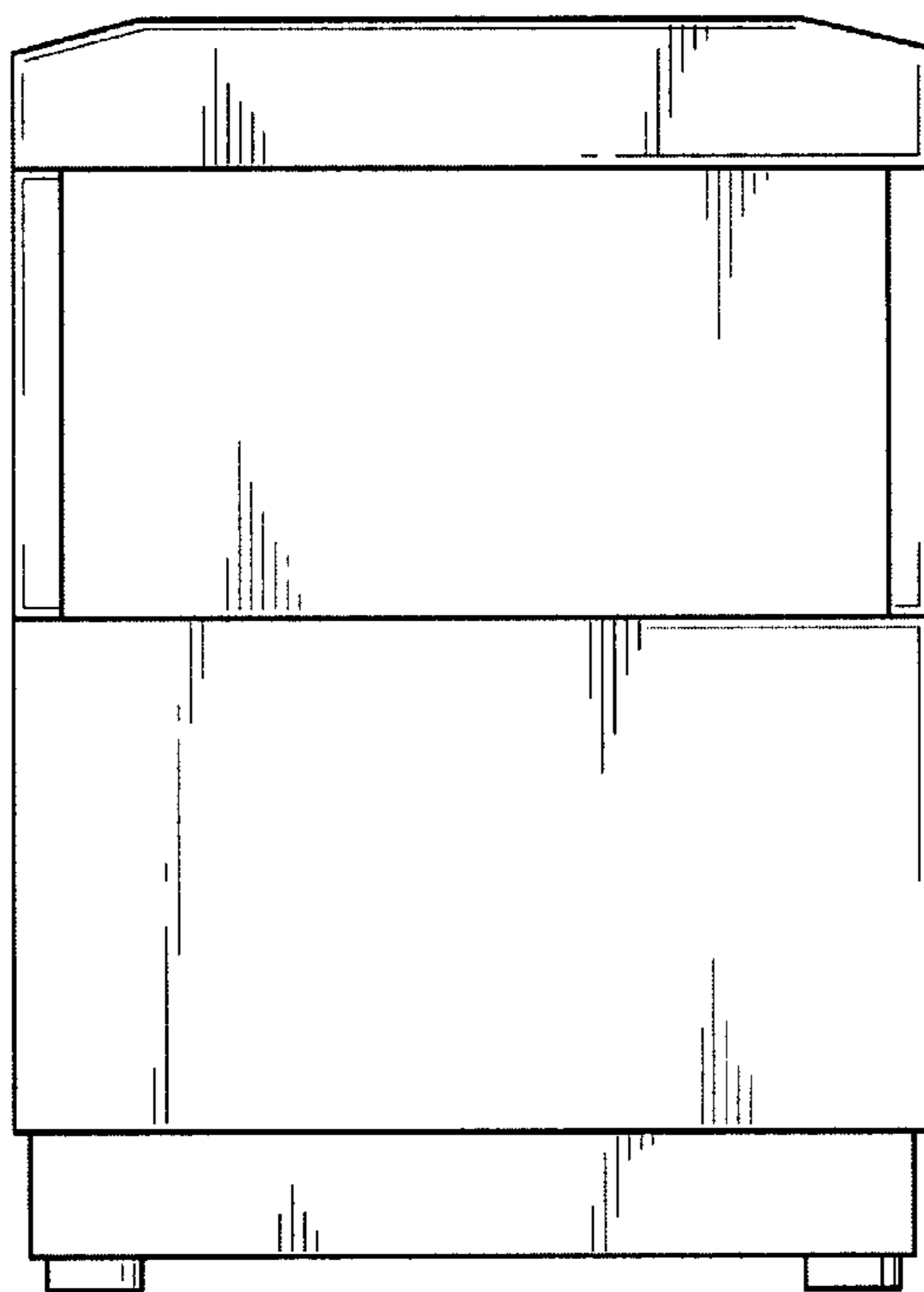


FIG. 3

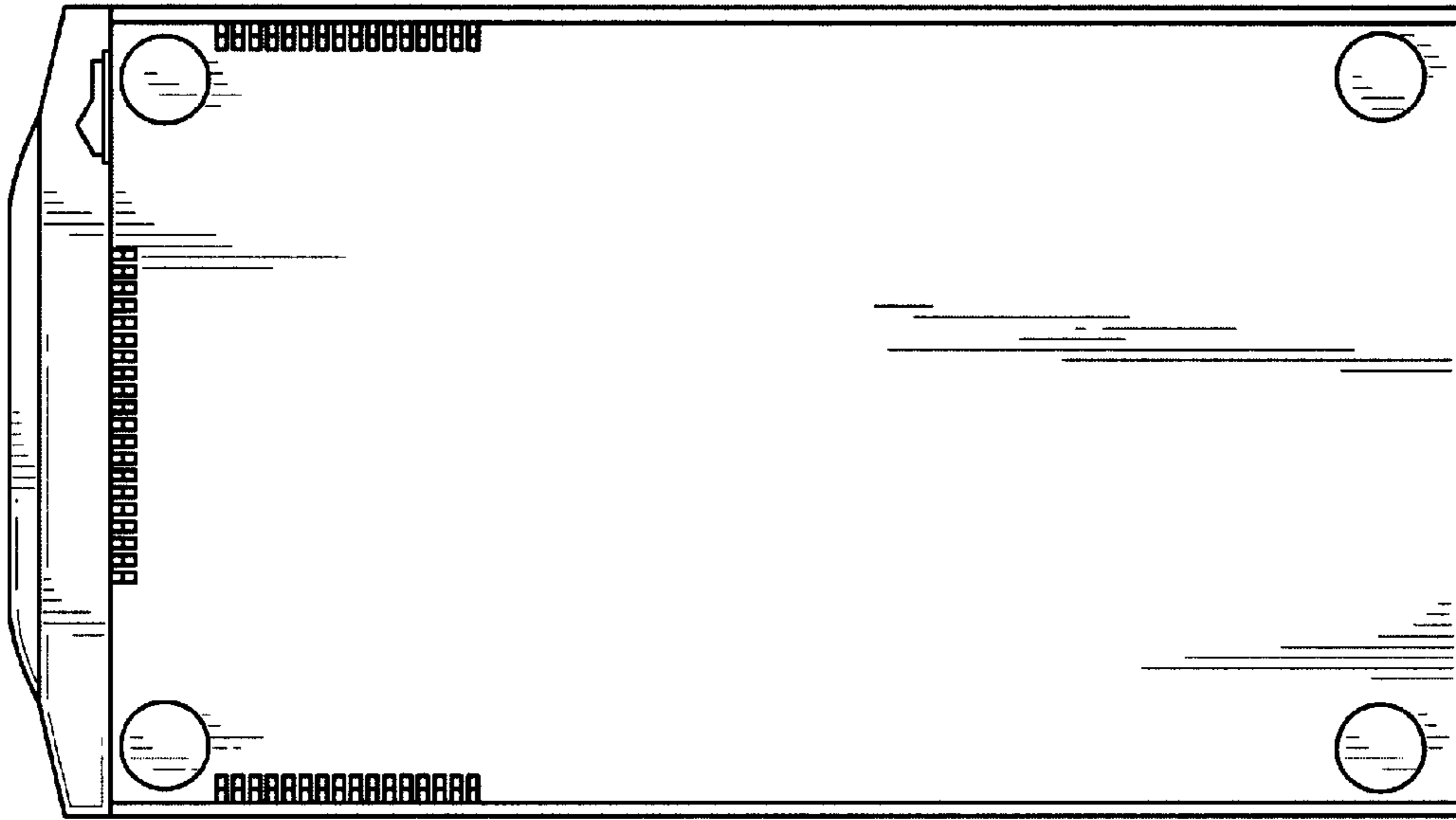


FIG. 5

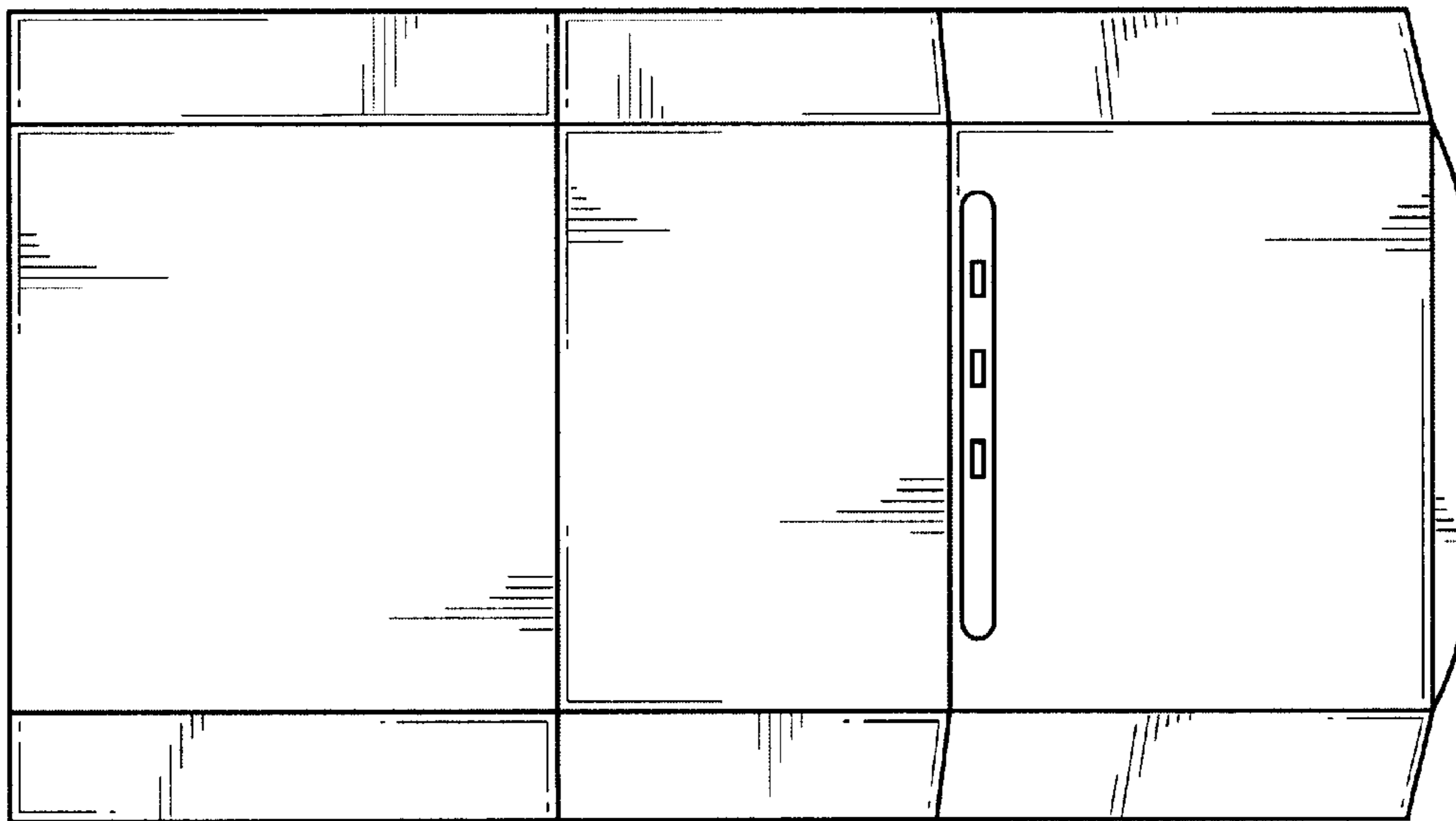


FIG. 4

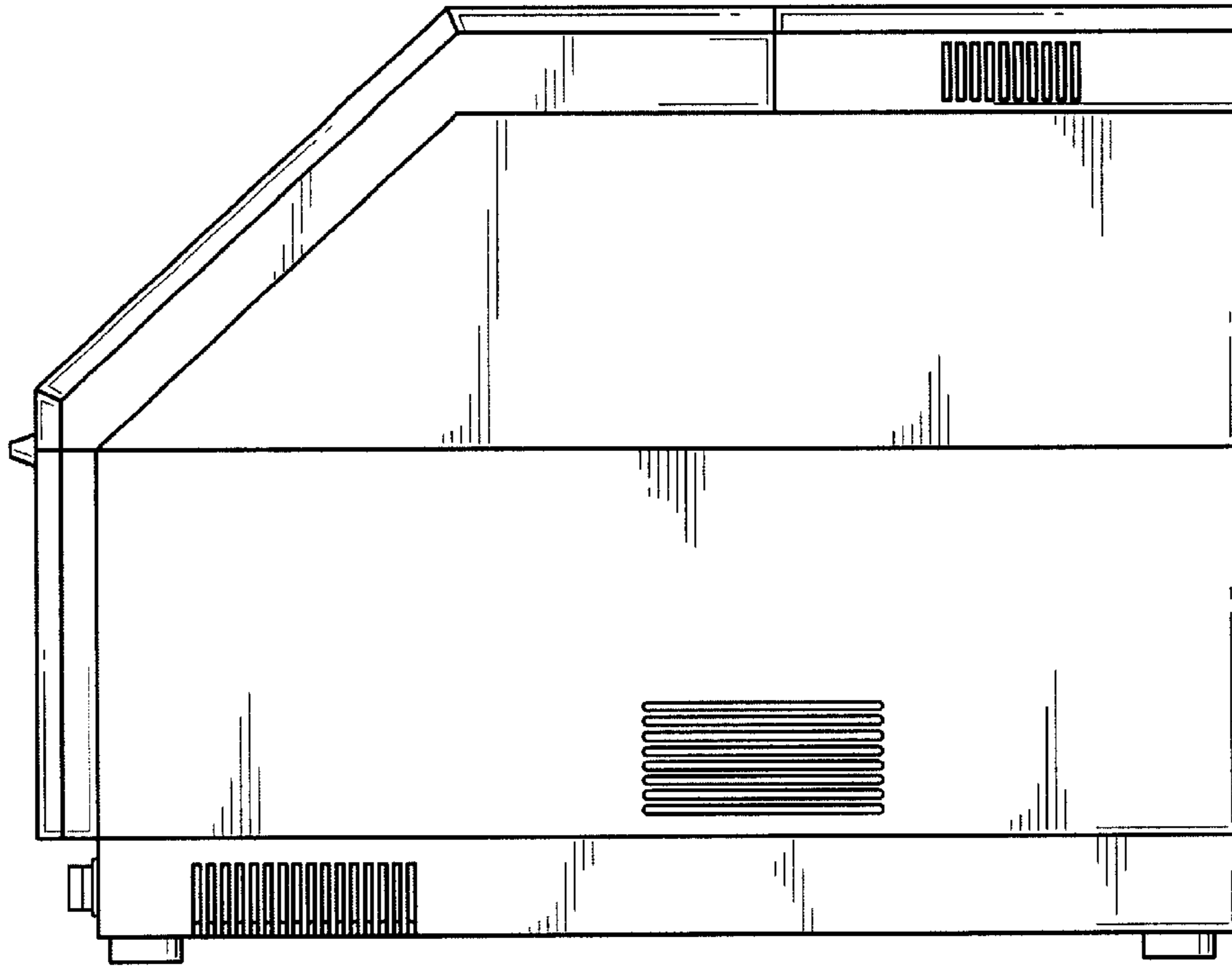


FIG. 6

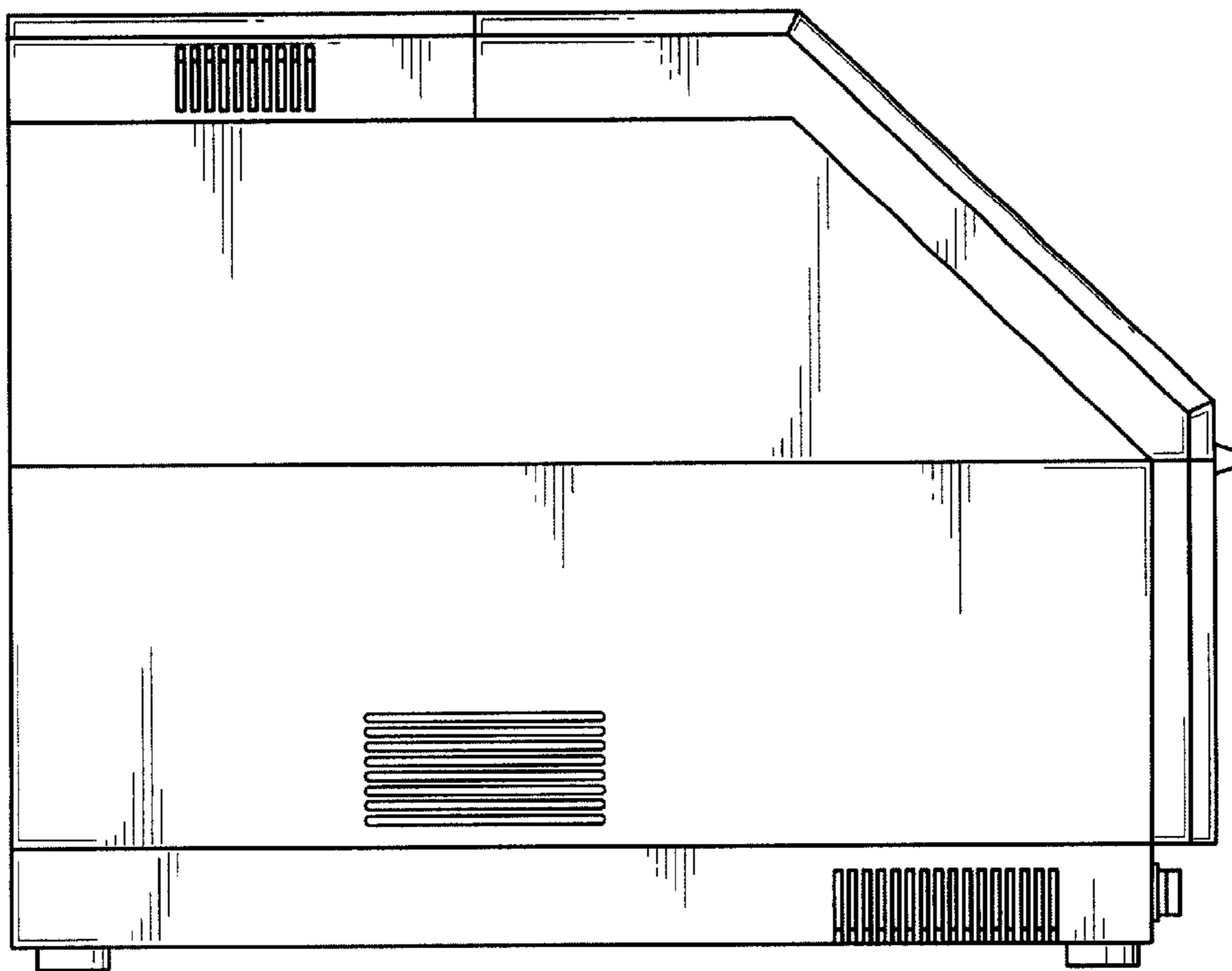


FIG. 7

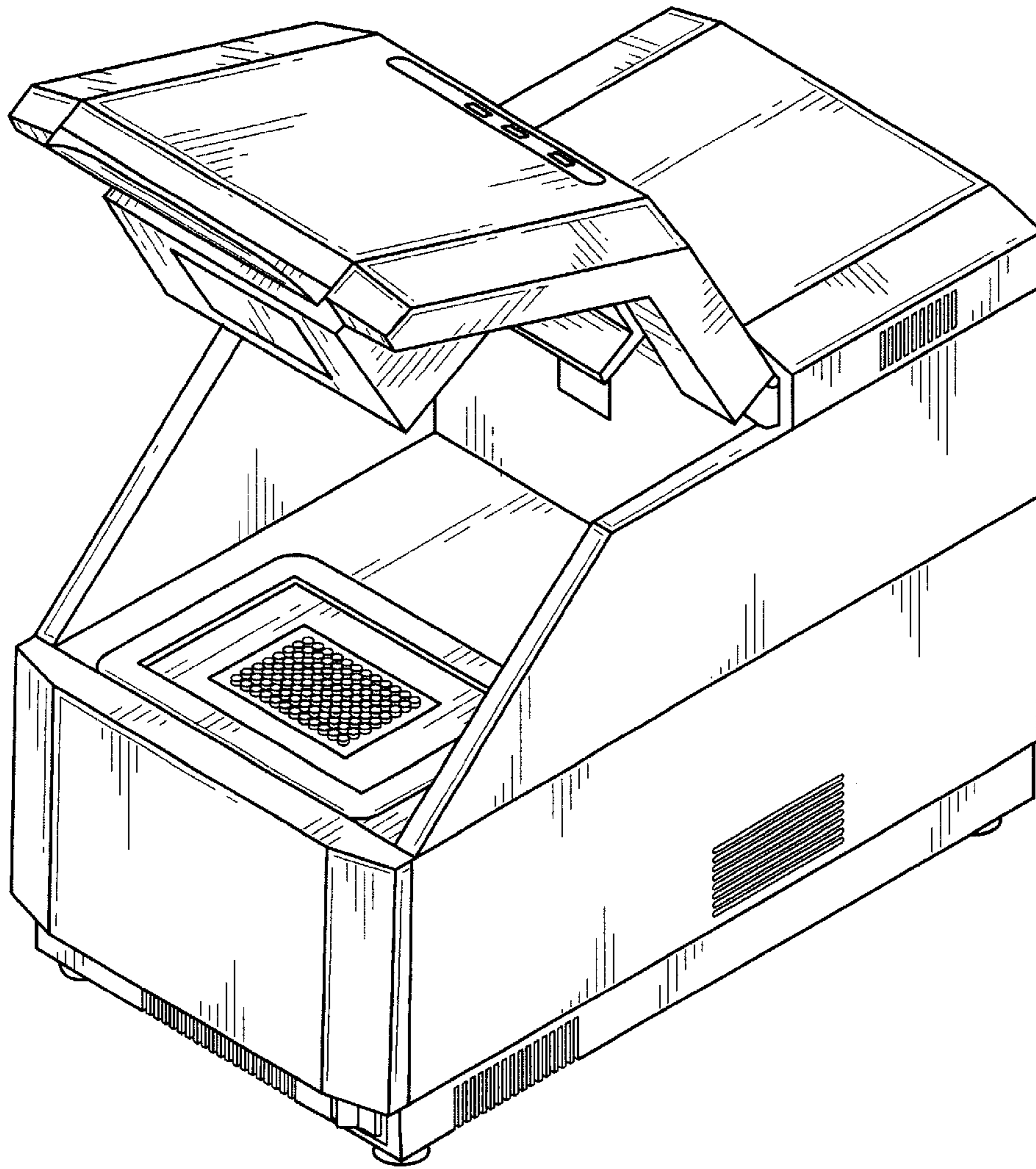


FIG. 8