



US00D537946S

(12) **United States Design Patent** (10) **Patent No.:** **US D537,946 S**  
**Maesawa et al.** (45) **Date of Patent:** **\*\* Mar. 6, 2007**

(54) **BLOOD PRESSURE MONITOR**

(75) Inventors: **Naoki Maesawa**, Tokyo (JP);  
**Yoshiyuki Miyake**, Yokohama (JP);  
**Taro Mochida**, Tokyo (JP)

(73) Assignee: **Matsushita Electric Works, Ltd.**,  
Osaka (JP)

(\*\*) Term: **14 Years**

(21) Appl. No.: **29/218,491**

(22) Filed: **Dec. 2, 2004**

(30) **Foreign Application Priority Data**

Jun. 2, 2004 (JP) ..... 2004-016364

(51) **LOC (8) Cl.** ..... **24-01**

(52) **U.S. Cl.** ..... **D24/186**

(58) **Field of Classification Search** ..... D24/165,  
D24/186; 600/502, 503, 499, 494, 490, 485,  
600/500, 492, 480, 493, 495, 479; 128/900  
See application file for complete search history.

(56) **References Cited**

U.S. PATENT DOCUMENTS

D254,629 S \* 4/1980 Yen ..... D24/165  
D262,139 S \* 12/1981 Duckat ..... D24/165  
D290,876 S \* 7/1987 Arduini et al. .... D24/165  
D298,167 S \* 10/1988 Schaffer et al. .... D24/165  
D328,130 S \* 7/1992 Claxton, III et al. .... D24/165

D341,658 S \* 11/1993 Kojima ..... D24/165  
2005/0187485 A1 \* 8/2005 Fumuro et al. .... 600/499  
2005/0192501 A1 \* 9/2005 Sano et al. .... 600/499

\* cited by examiner

*Primary Examiner*—Louis S. Zarfes

*Assistant Examiner*—Daniel Yu

(74) *Attorney, Agent, or Firm*—Osha Liang LLP

(57) **CLAIM**

The ornamental design for a blood pressure monitor, as shown and described.

**DESCRIPTION**

FIG. 1 is a front view of the design according to the embodiment of the invention.

FIG. 2 is a rear view of the design according to the embodiment of the invention.

FIG. 3 is a right side view of the design according to the embodiment of the invention.

FIG. 4 is a left side view of the design according to the embodiment of the invention.

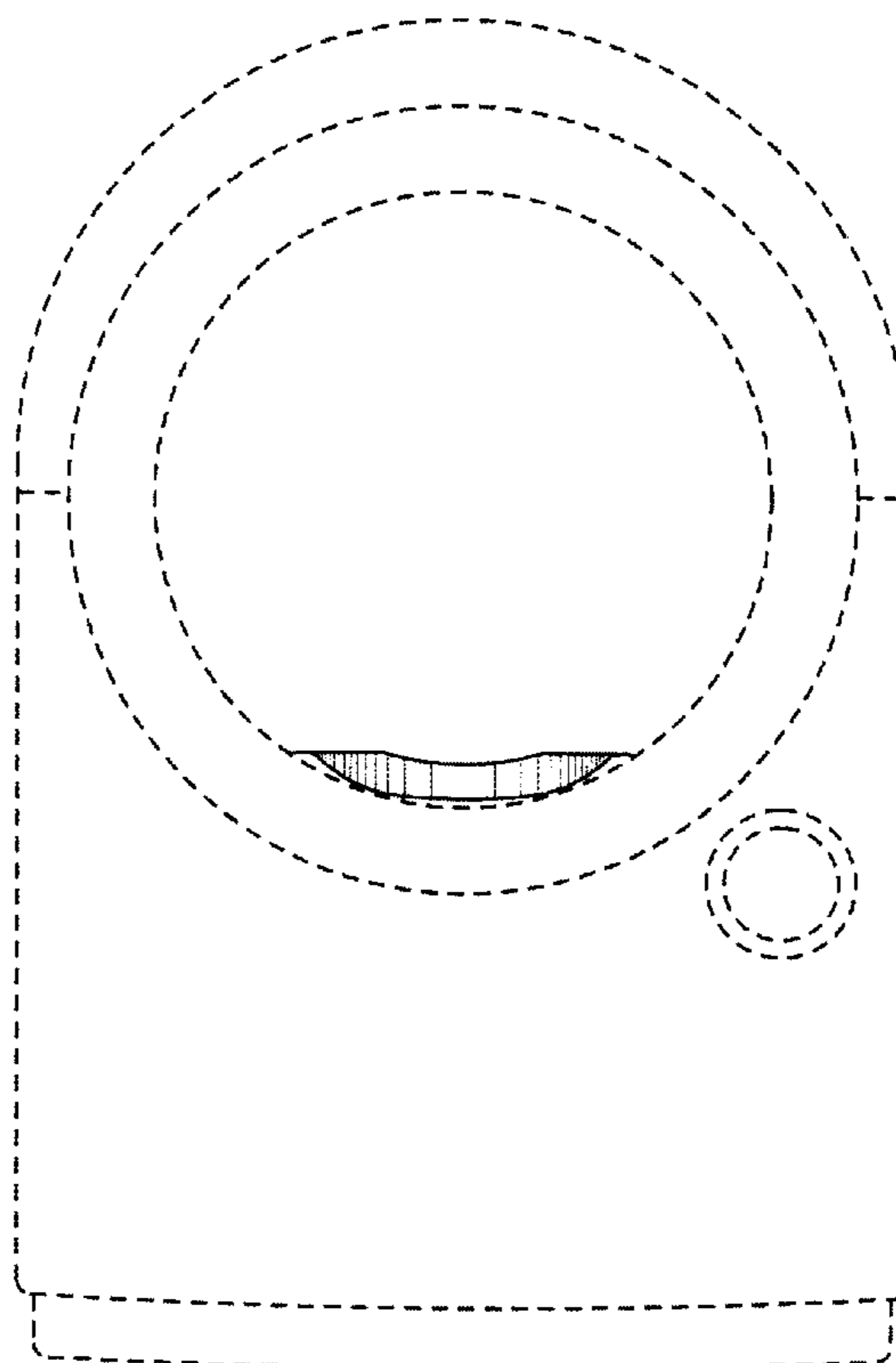
FIG. 5 is a plan view of the design according to the embodiment of the invention.

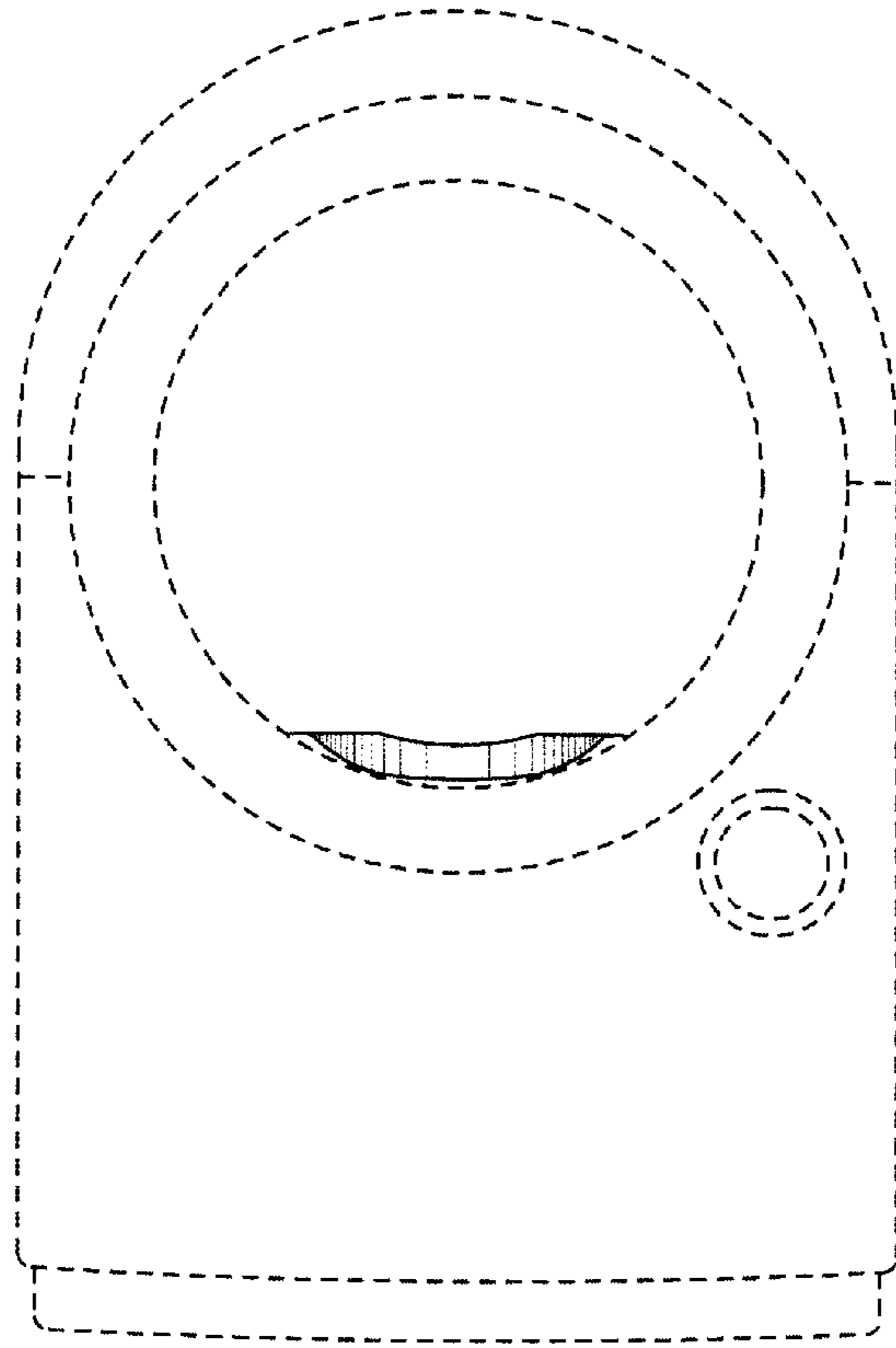
FIG. 6 is a bottom view of the design according to the embodiment of the invention; and,

FIG. 7 is a cross-sectional view of the design according to the embodiment of the invention.

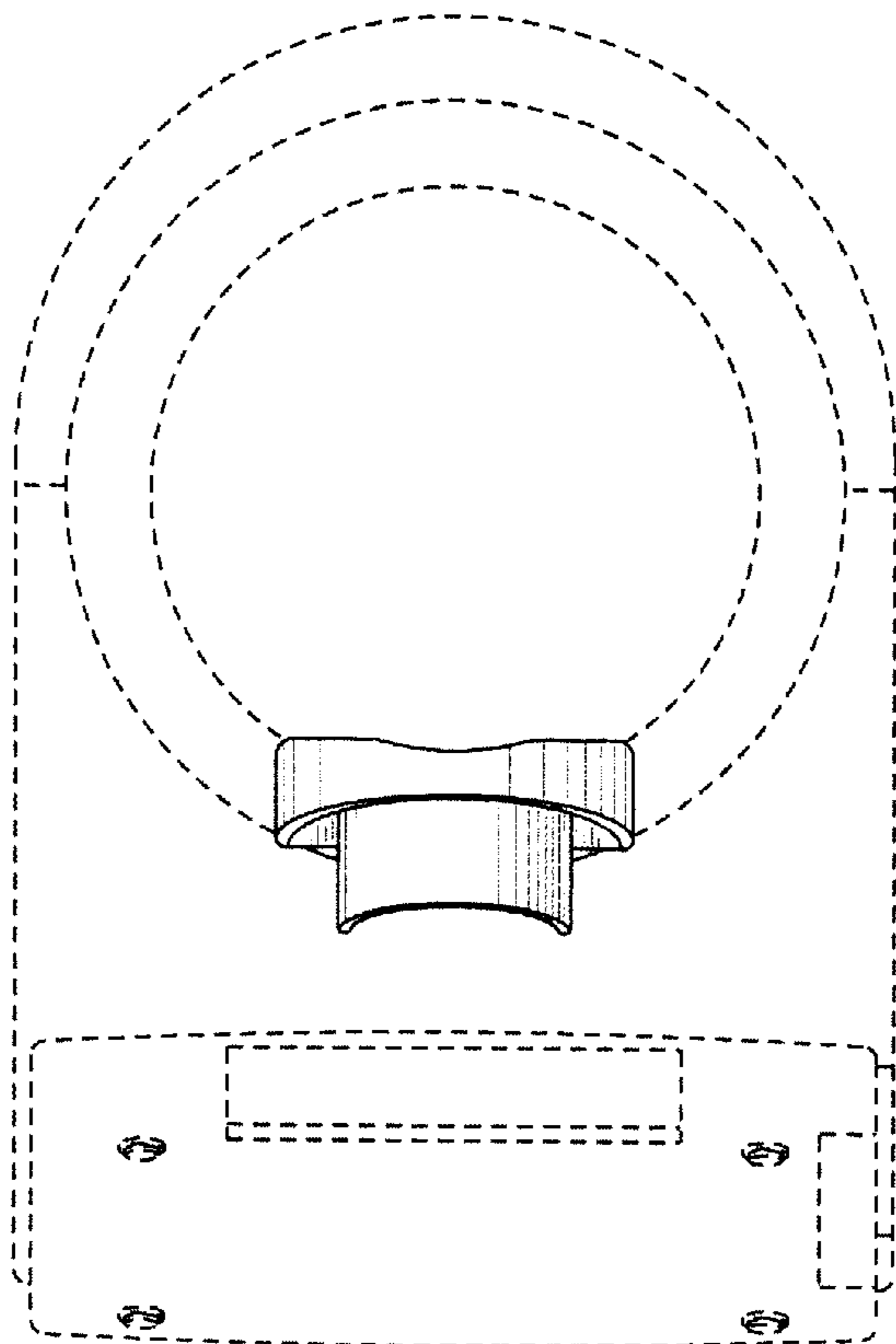
The portions in even broken lines are for illustrative purposes only and form no part of the claimed design.

**1 Claim, 4 Drawing Sheets**

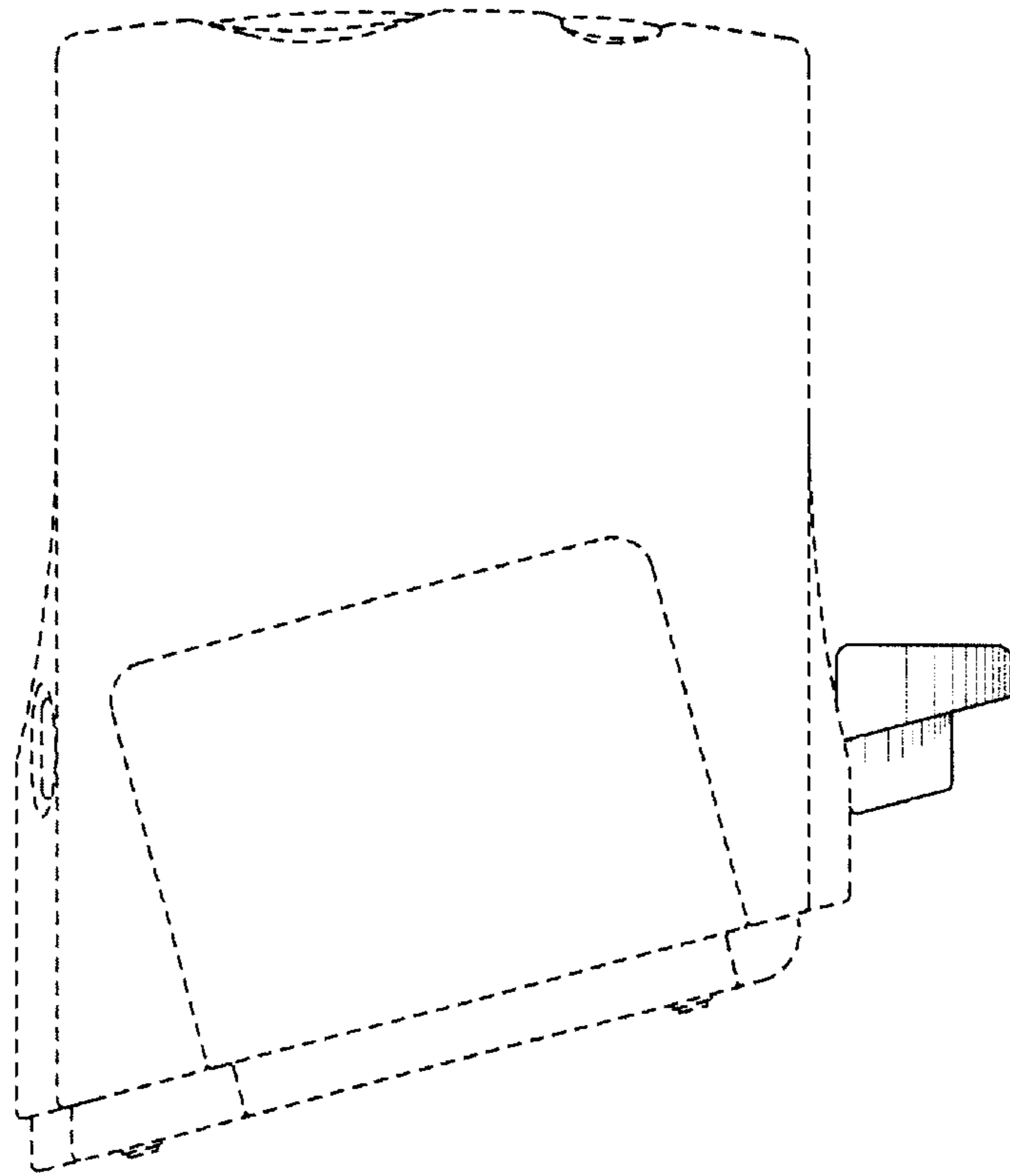




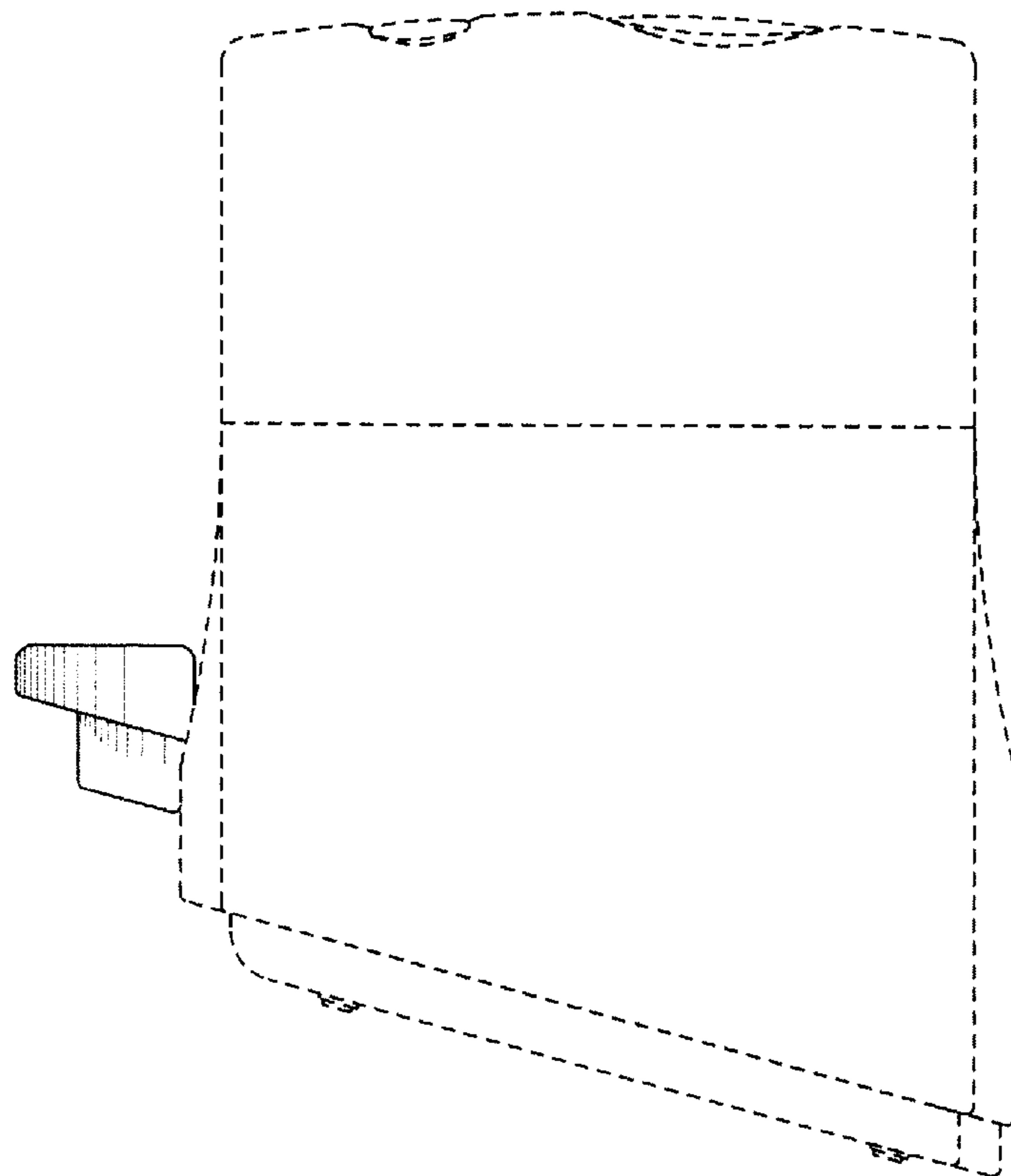
**FIG. 1**



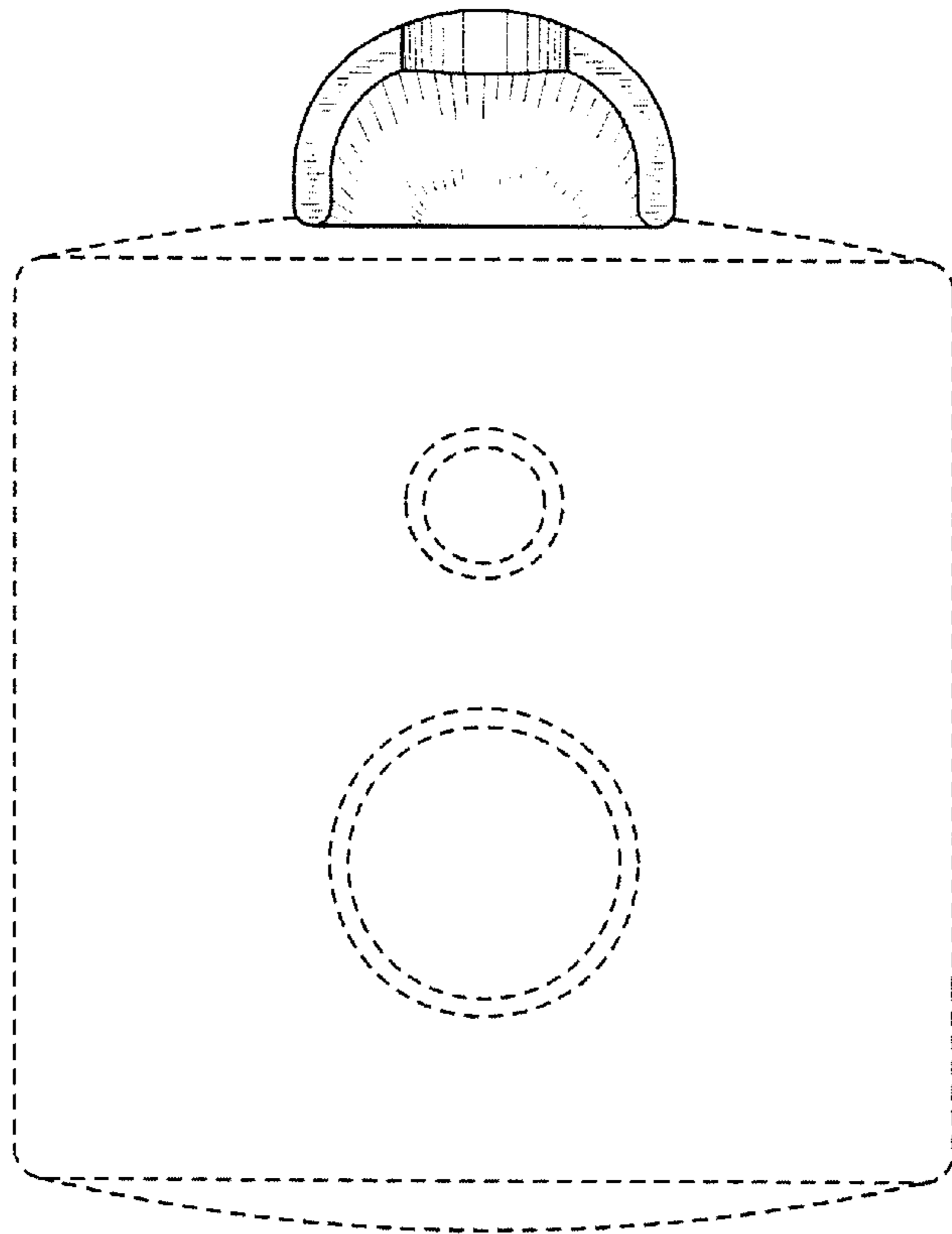
**FIG. 2**



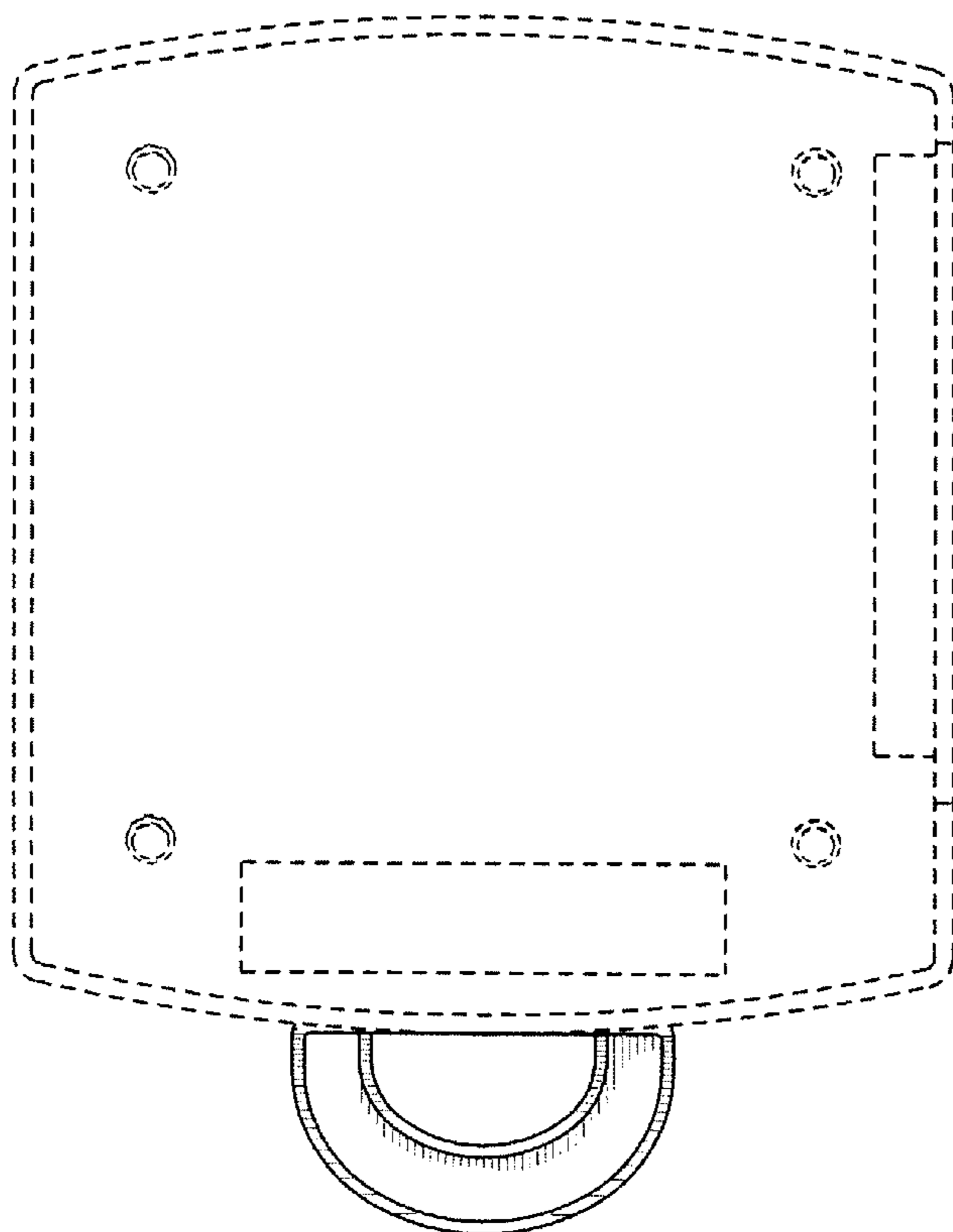
**FIG. 3**



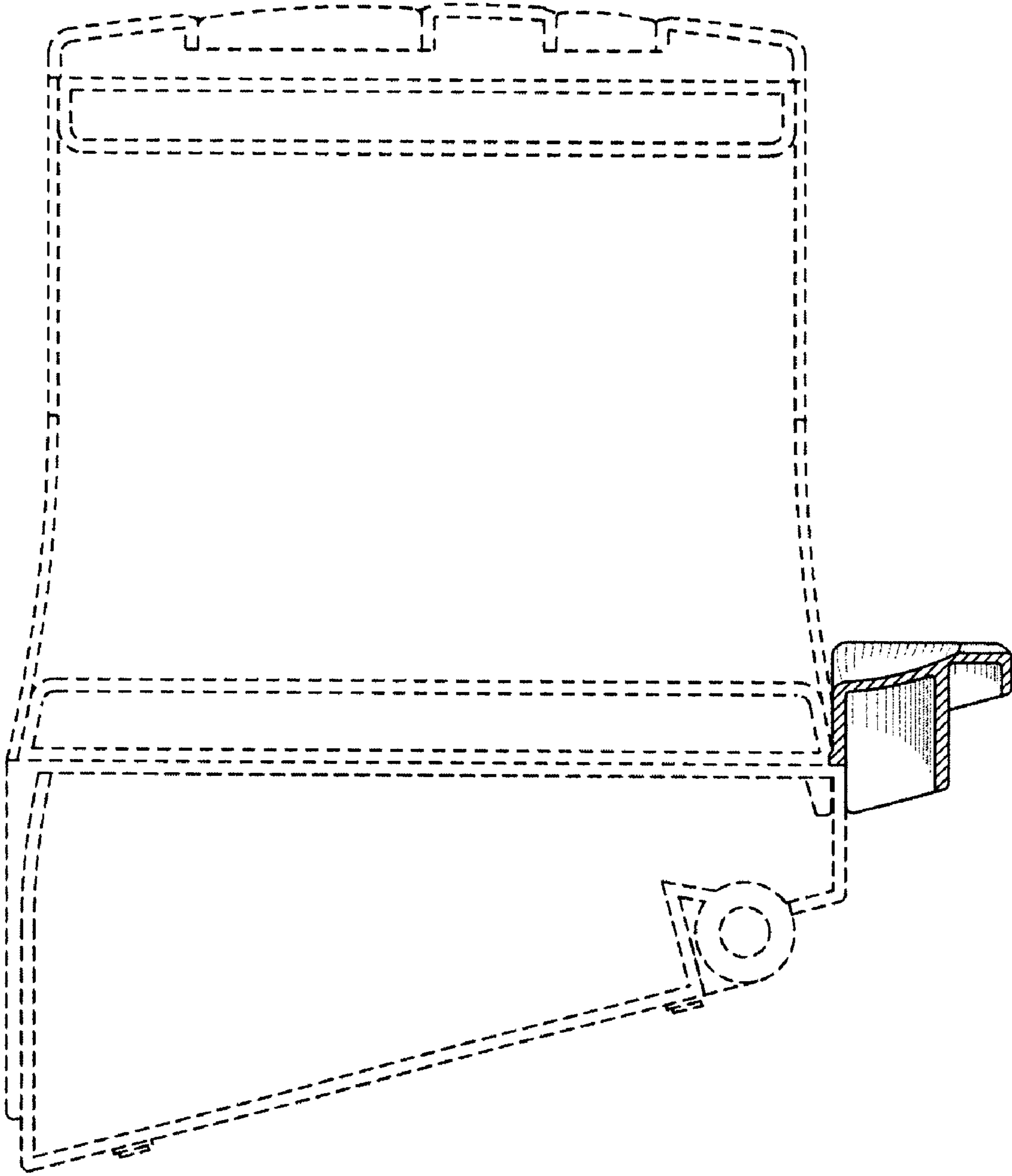
**FIG. 4**



**FIG. 5**



**FIG. 6**



**FIG. 7**