



US00D537944S

(12) **United States Design Patent**
Eda et al.

(10) **Patent No.:** **US D537,944 S**
(45) **Date of Patent:** **** Mar. 6, 2007**

(54) **SPHYGMOMANOMETER**
(75) Inventors: **Kenji Eda**, Osaka (JP); **Tadashi Koike**,
Kyoto (JP); **Takefumi Nakanishi**,
Kyoto (JP); **Masashi Fukura**, Kyoto
(JP); **Chiaki Murata**, Osaka (JP)

(73) Assignee: **Omron Healthcare Co., Ltd.**, Kyoto
(JP)

(**) Term: **14 Years**

(21) Appl. No.: **29/217,862**

(22) Filed: **Nov. 24, 2004**

(30) **Foreign Application Priority Data**

May 25, 2004	(JP)	2004-015367
May 25, 2004	(JP)	2004-015368
May 25, 2004	(JP)	2004-015369
May 25, 2004	(JP)	2004-015370
May 25, 2004	(JP)	2004-015371
May 25, 2004	(JP)	2004-015372
May 25, 2004	(JP)	2004-015373

(51) **LOC (8) Cl.** **24-02**

(52) **U.S. Cl.** **D24/165**

(58) **Field of Classification Search** D24/165,
D24/186, 183; 600/502, 503, 499, 494, 490,
600/485, 500, 492, 480, 493, 495, 479; 128/900
See application file for complete search history.

(56) **References Cited**

U.S. PATENT DOCUMENTS

D403,770 S * 1/1999 Ozaki et al. D24/165

D446,306 S	*	8/2001	Ochi et al.	D24/186
D473,308 S	*	4/2003	Nakanishi	D24/165
D473,651 S	*	4/2003	Inagaki et al.	D24/165
D489,722 S	*	5/2004	Matuschek	D14/388
D490,516 S	*	5/2004	Takahashi et al.	D24/107
D496,104 S	*	9/2004	Eda et al.	D24/165
D508,565 S	*	8/2005	Nepkin et al.	D24/186
D509,591 S	*	9/2005	Tomioka et al.	D24/165

* cited by examiner

Primary Examiner—Louis S. Zarfaz

Assistant Examiner—Daniel Yu

(74) *Attorney, Agent, or Firm*—Hareness, Dickey & Pierce,
P.L.C.

(57) **CLAIM**

The ornamental design for a sphygmomanometer, as shown
and described.

DESCRIPTION

FIG. 1, is a perspective view of an embodiment of a
sphygmomanometer showing our new design;
FIG. 2 is a front elevational view thereof;
FIG. 3 is a rear elevational view thereof;
FIG. 4 is a top plan view thereof;
FIG. 5 is a bottom plan view thereof;
FIG. 6 is a right side elevational view thereof;
FIG. 7 is a left side elevational view thereof; and,
FIG. 8 is a top plan view according to reference arrow 8 of
FIG. 6 thereof.

1 Claim, 4 Drawing Sheets

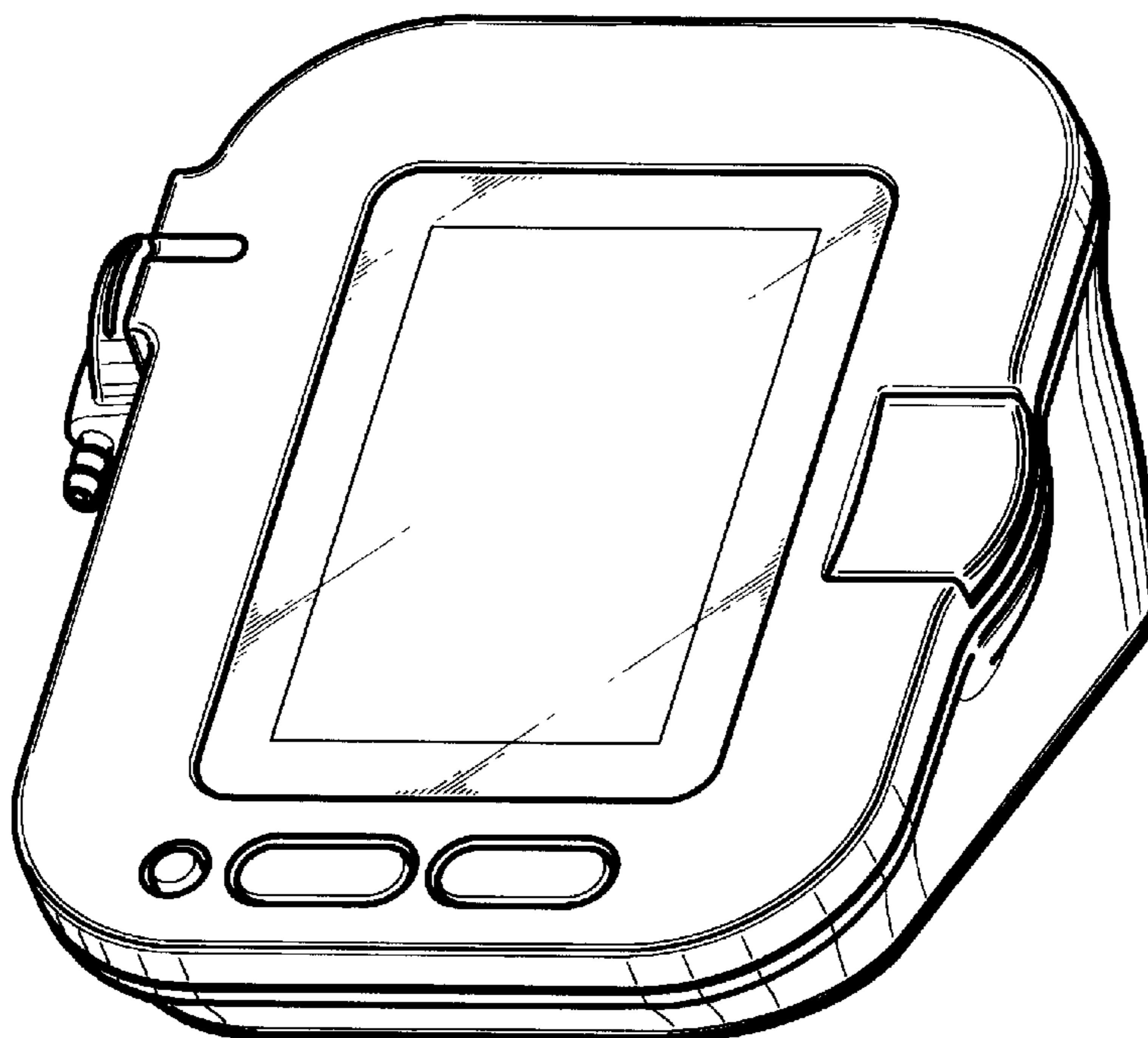


Fig. 1

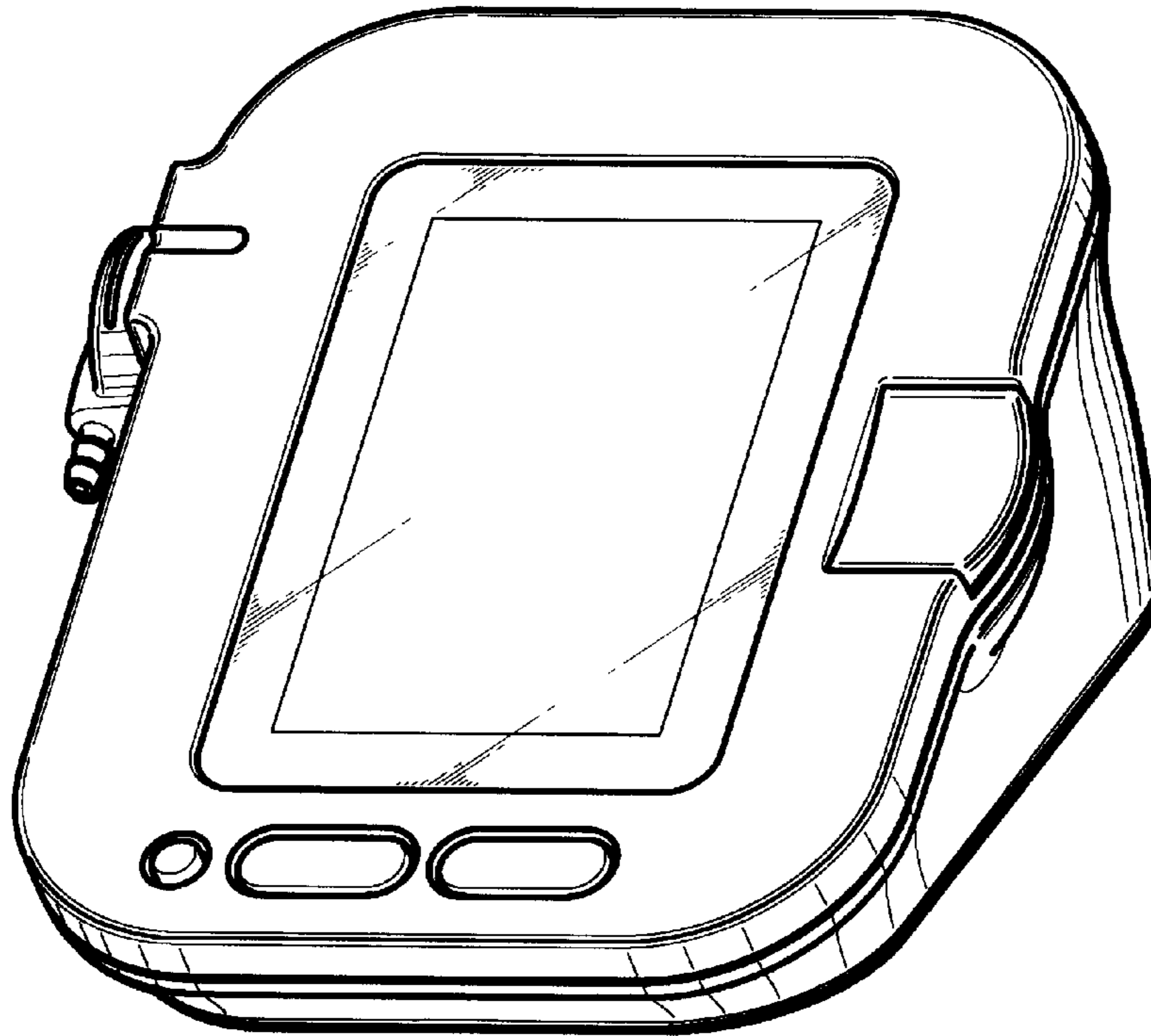


Fig. 2

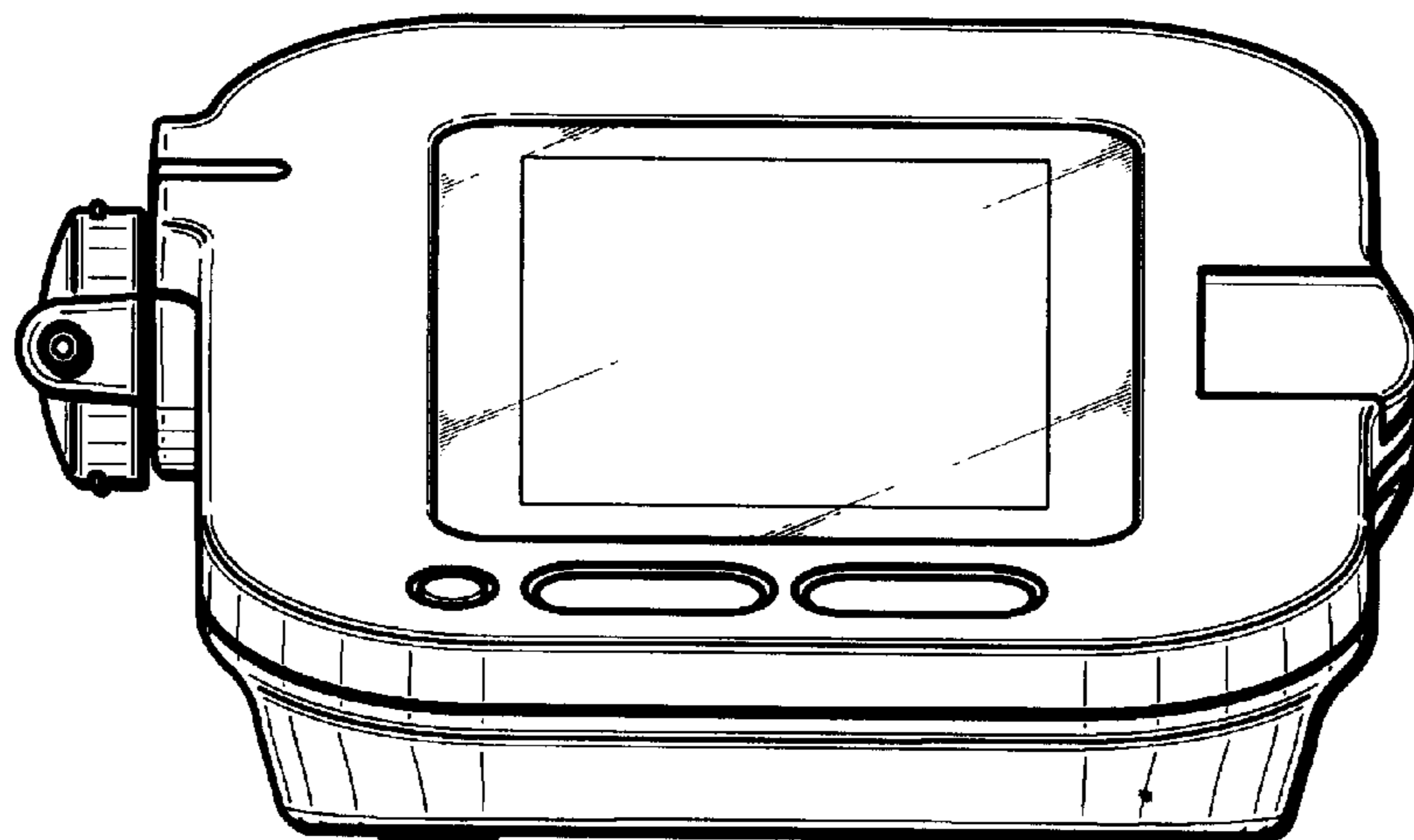


Fig. 3

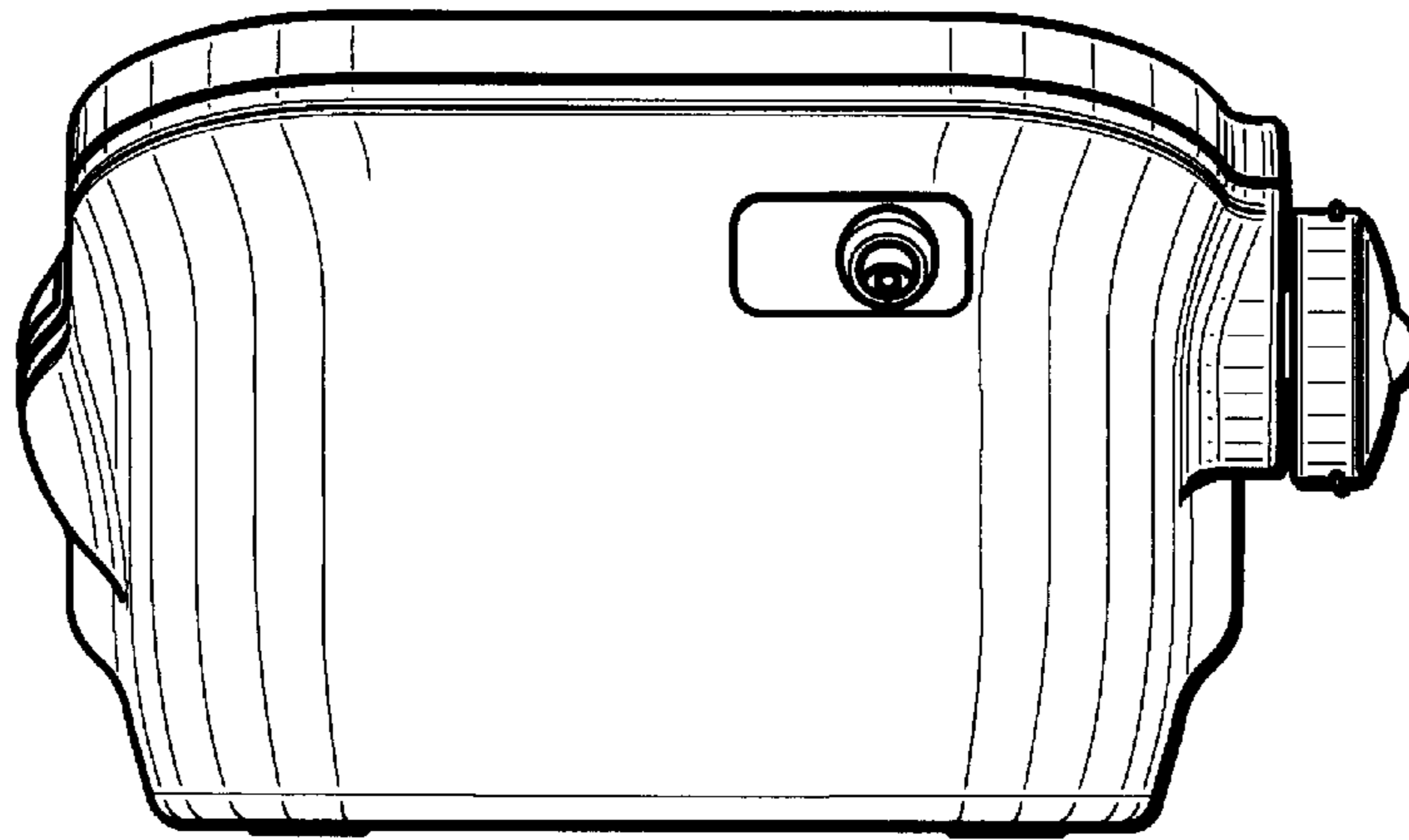


Fig. 4

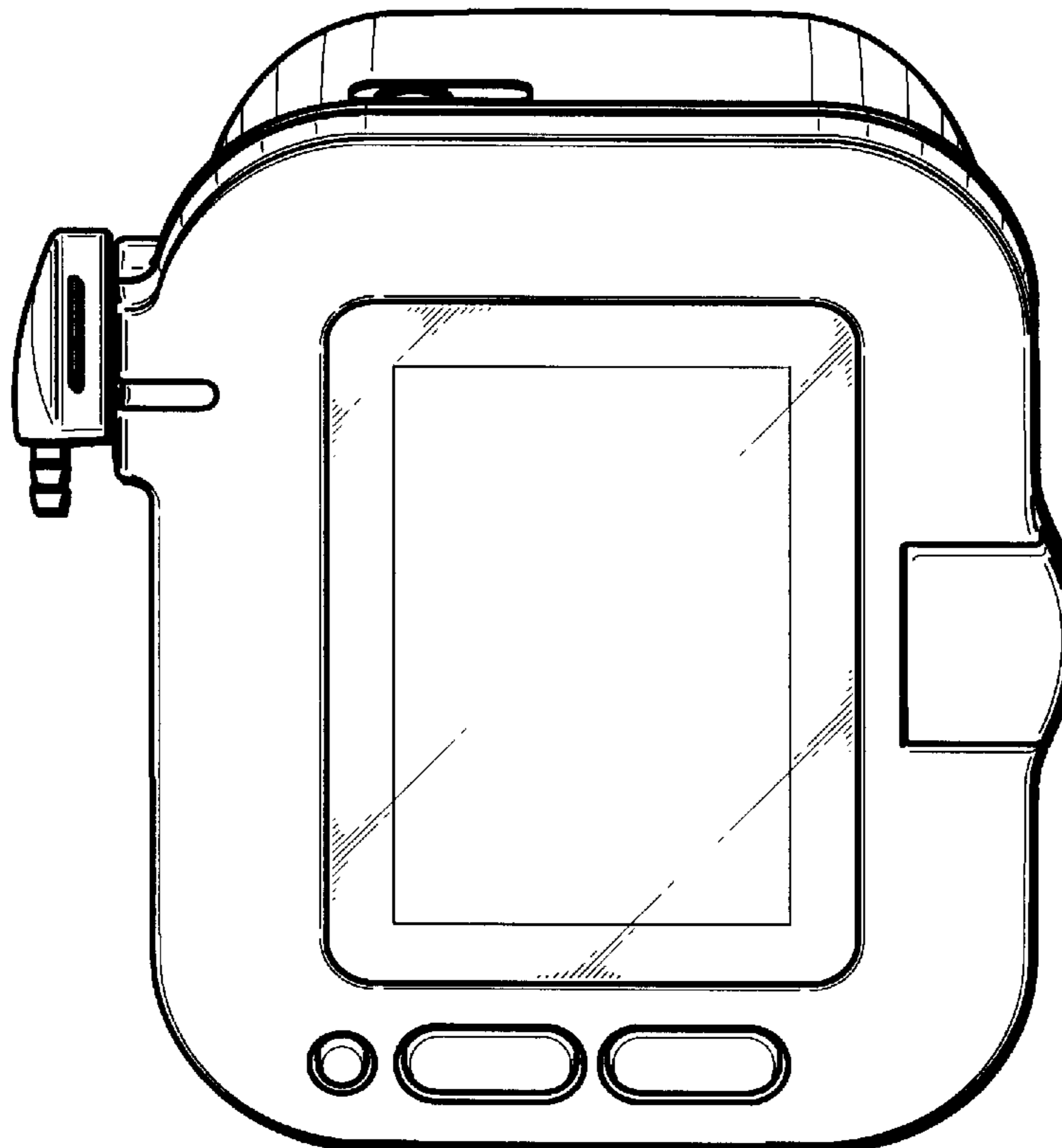


Fig. 5

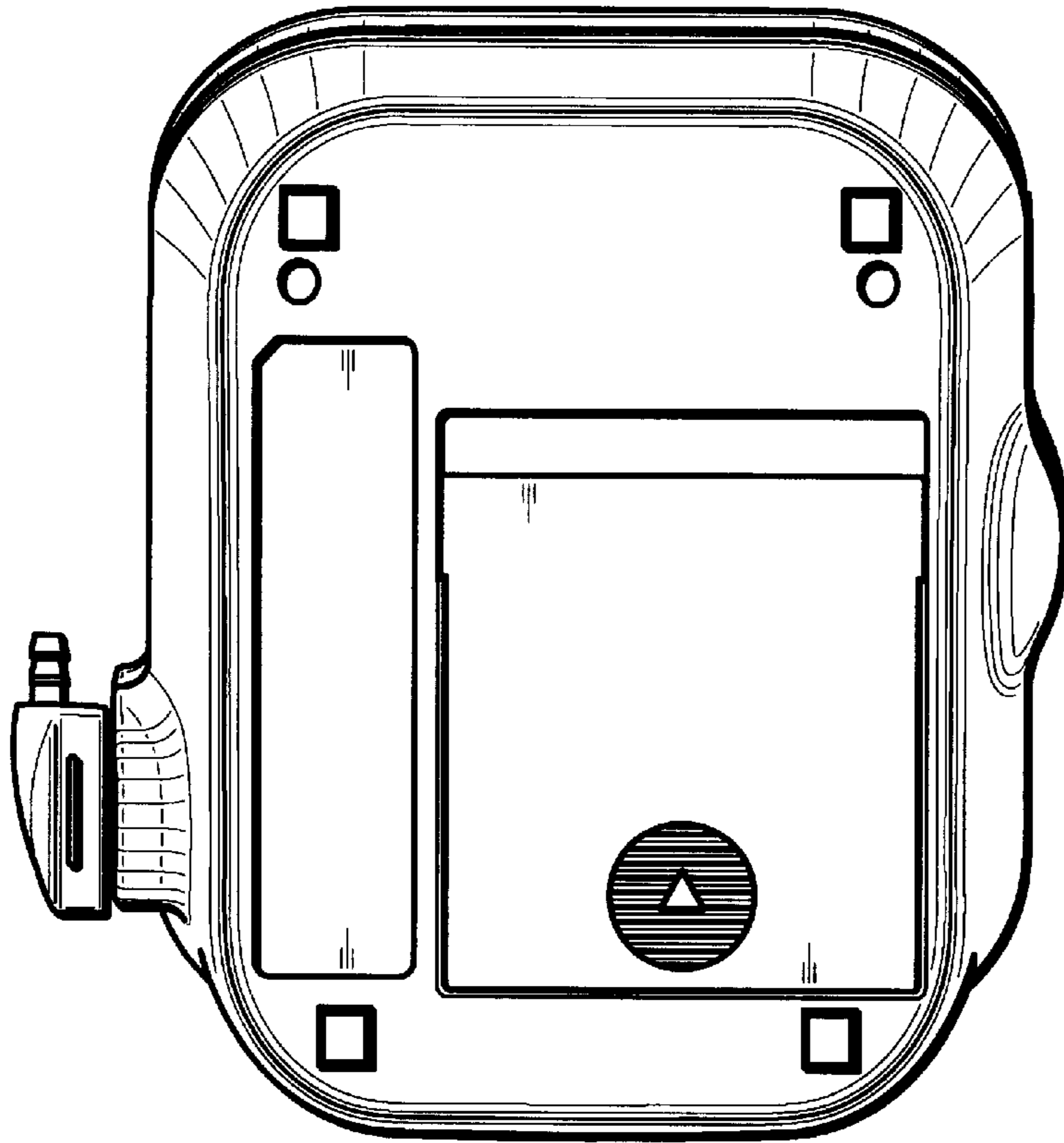


Fig. 6

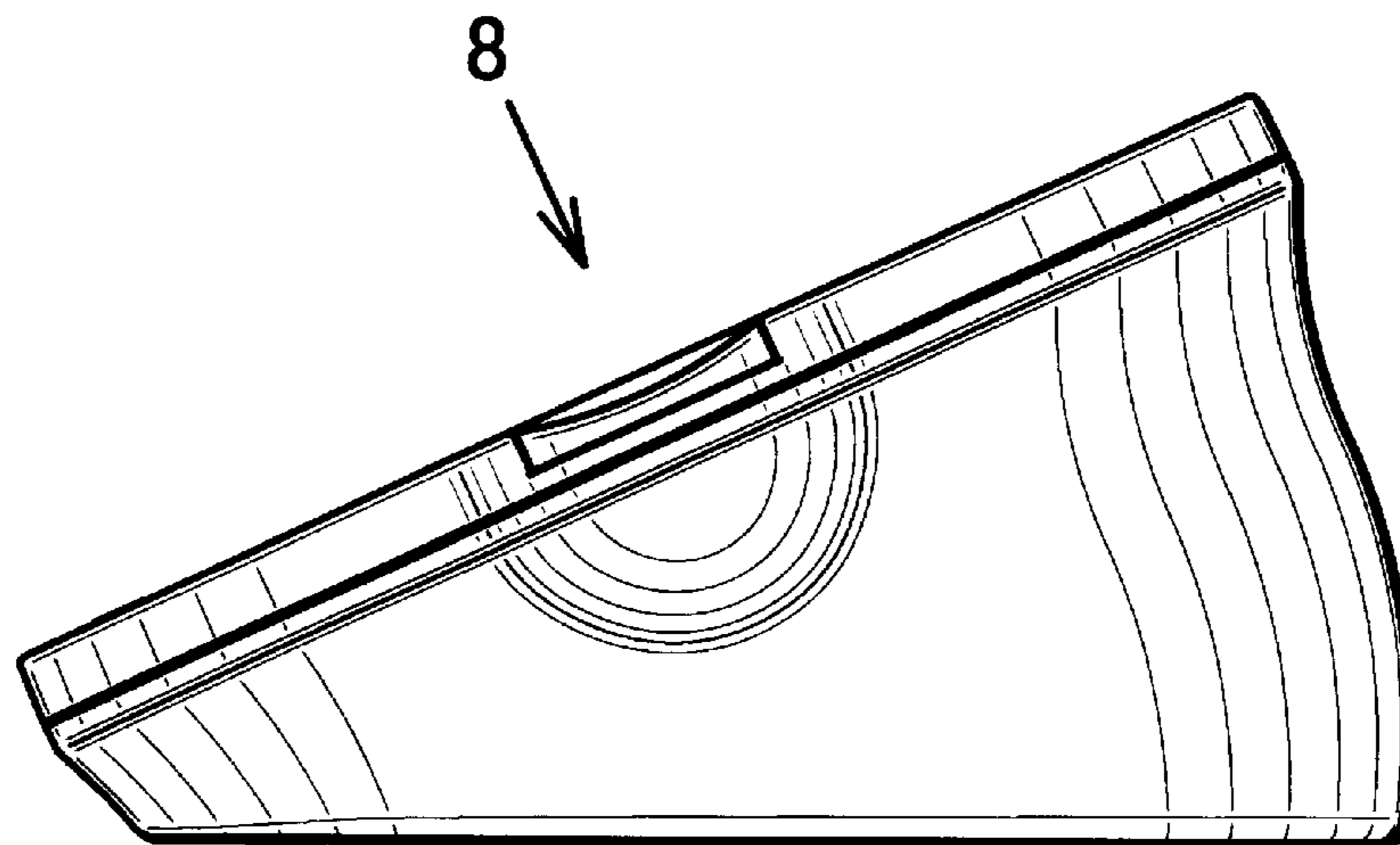


Fig. 7

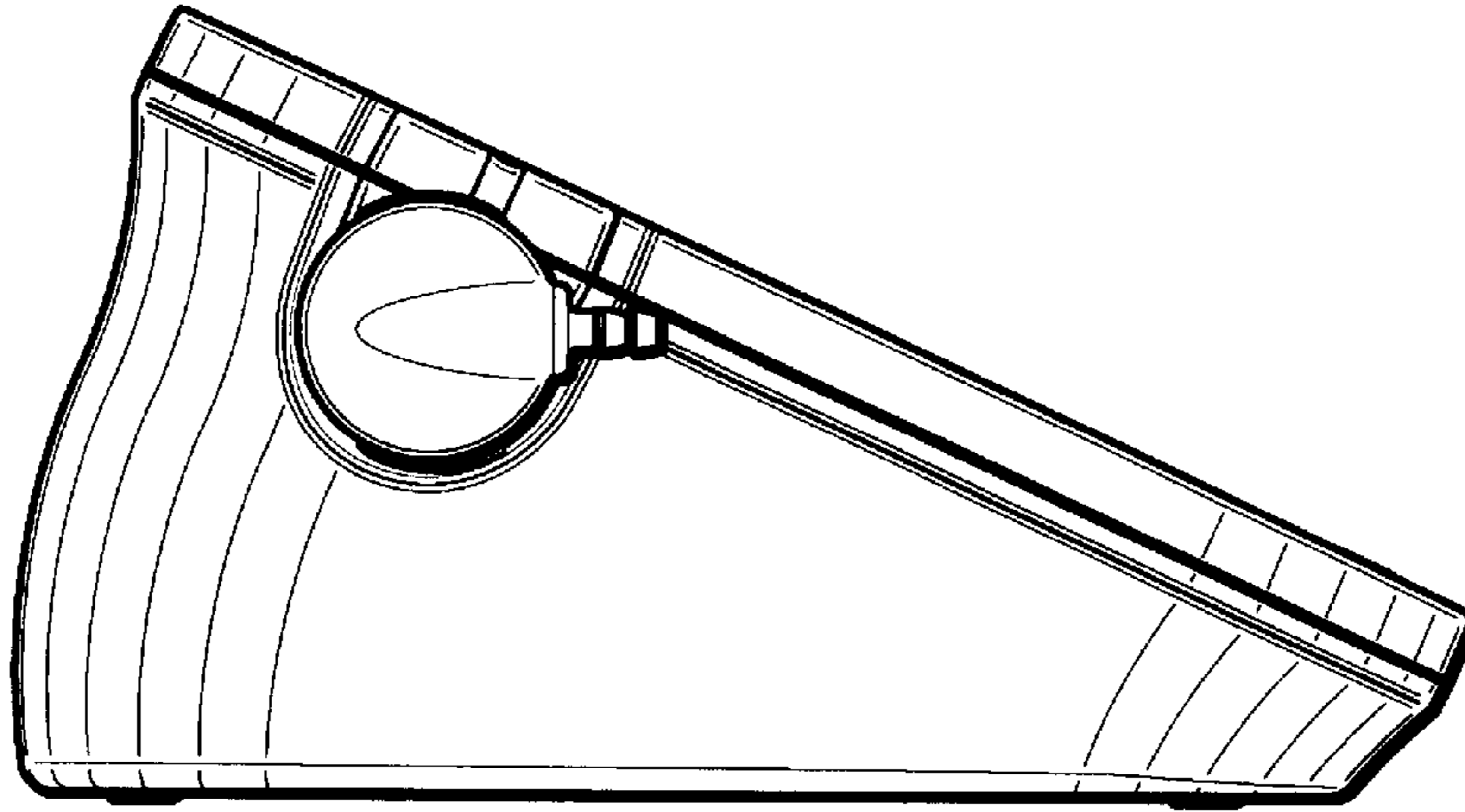


Fig. 8

