

US00D537943S

(12) **United States Design Patent**  
**Schmulenson**

(10) **Patent No.:** **US D537,943 S**  
(45) **Date of Patent:** **\*\* Mar. 6, 2007**

(54) **HOLDER FOR AN X-RAY SENSING DEVICE**

*Primary Examiner*—Louis S. Zarfes  
*Assistant Examiner*—Daniel Yu

(76) **Inventor:** **Harold K. Schmulenson**, 105 Old Barn Ct., Buffalo Grove, IL (US) 60089

(74) *Attorney, Agent, or Firm*—Michael Best & Friedrich LLP

(\*\*) **Term:** **14 Years**

(21) **Appl. No.:** **29/216,948**

(22) **Filed:** **Nov. 11, 2004**

(51) **LOC (8) Cl.** ..... **24-01**

(52) **U.S. Cl.** ..... **D24/158**

(58) **Field of Classification Search** ..... D24/158,  
D24/127, 128; D8/382, 349, 395; 378/167–170  
See application file for complete search history.

(56) **References Cited**

**U.S. PATENT DOCUMENTS**

4,945,553	A *	7/1990	Willis	.....	378/168
5,022,065	A *	6/1991	Wijkstrom	.....	378/168
5,044,009	A *	8/1991	Klauser	.....	378/170

\* cited by examiner

(57) **CLAIM**

The ornamental design for a “holder for an X-Ray sensing device,” as shown and described.

**DESCRIPTION**

FIG. 1 is a perspective view of the holder embodying the present invention.  
FIG. 2 is a first side elevation view of the holder of FIG. 1  
FIG. 3 is a second side elevation view of the holder of FIG. 1.  
FIG. 4 is a front elevation view of the holder of FIG. 1.  
FIG. 5 is a back elevation view of the holder of FIG. 1.  
FIG. 6 is a top view of the holder of FIG. 1; and,  
FIG. 7 is a bottom view of the holder of FIG. 1.

**1 Claim, 3 Drawing Sheets**

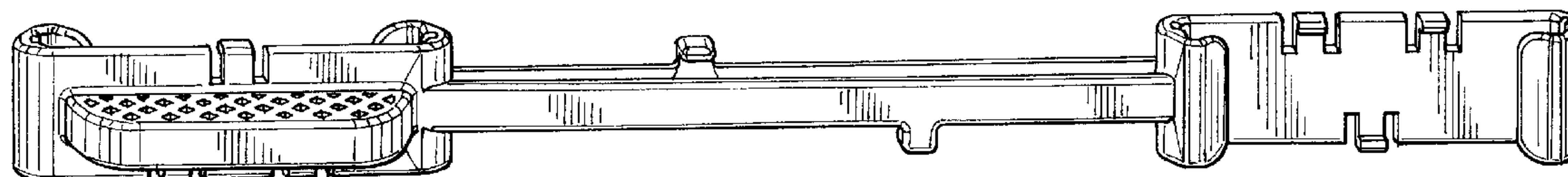


FIG. 1

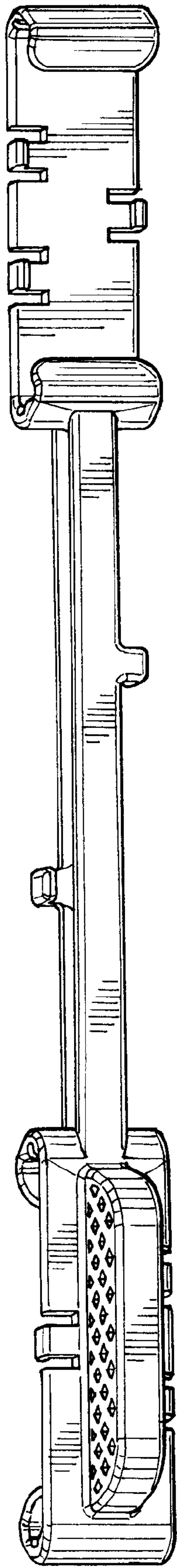


FIG. 2

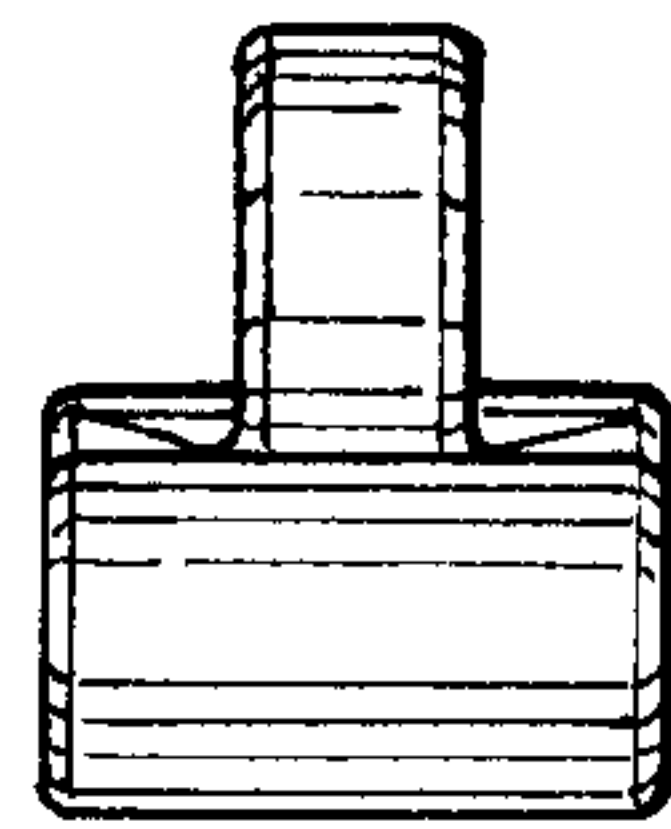


FIG. 3

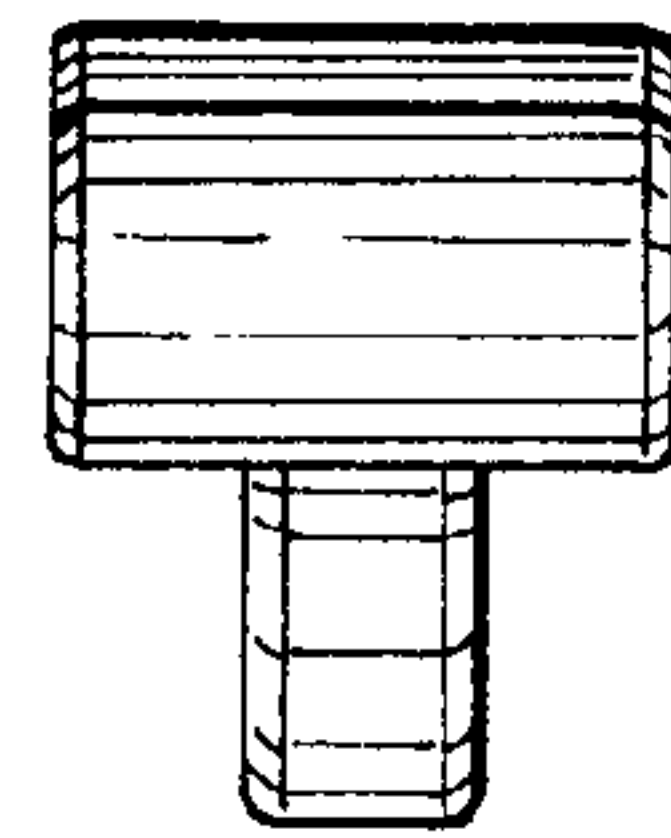


FIG.4

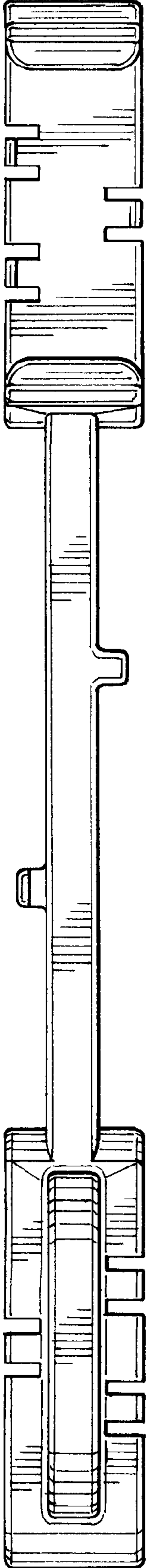


FIG.5

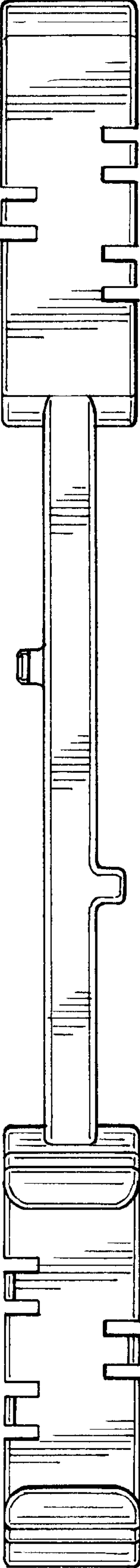


FIG.6

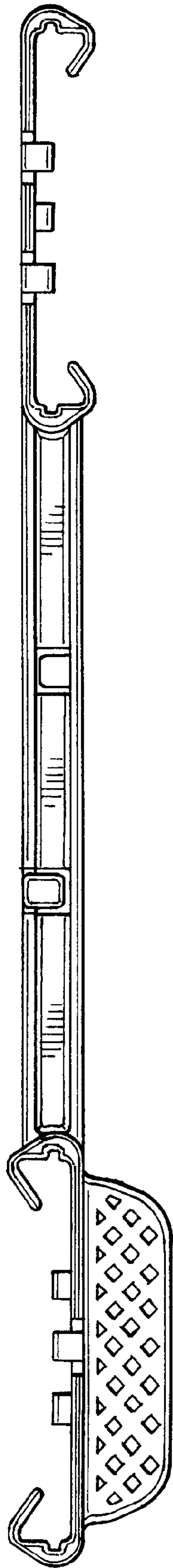


FIG.7

