



US00D537941S

(12) **United States Design Patent** (10) **Patent No.:** **US D537,941 S**
Haberland et al. (45) **Date of Patent:** **** Mar. 6, 2007**

(54) **COMBINATION MEDICAL CLAMP AND MEDICAL COUPLER**

5,669,885 A * 9/1997 Smith 606/184
5,709,664 A 1/1998 Vandebroek et al.

(Continued)

(75) Inventors: **Gary W. Haberland**, Oviedo, FL (US);
Brent Van Camp, Orlando, FL (US);
Matthew S. Athey, Oviedo, FL (US);
Michael Scott Athey, Orlando, FL (US);
Matthew Drake, Orlando, FL (US)

Primary Examiner—Ian Simmons
Assistant Examiner—Christopher Lee
(74) *Attorney, Agent, or Firm*—Bracewell & Giuliani, L.L.P.

(73) Assignee: **Genico, Inc.**, Winter Park, FL (US)

(57) **CLAIM**

The ornamental design for a combination medical clamp and medical coupler, as shown and described.

(**) Term: **14 Years**

DESCRIPTION

(21) Appl. No.: **29/201,040**

(22) Filed: **Mar. 9, 2004**

(51) **LOC (8) Cl.** **24-02**

(52) **U.S. Cl.** **D24/143; D24/140**

(58) **Field of Classification Search** D24/143,
D24/146, 147, 130, 128; 606/167, 184, 185;
604/164, 167; 600/114, 125

See application file for complete search history.

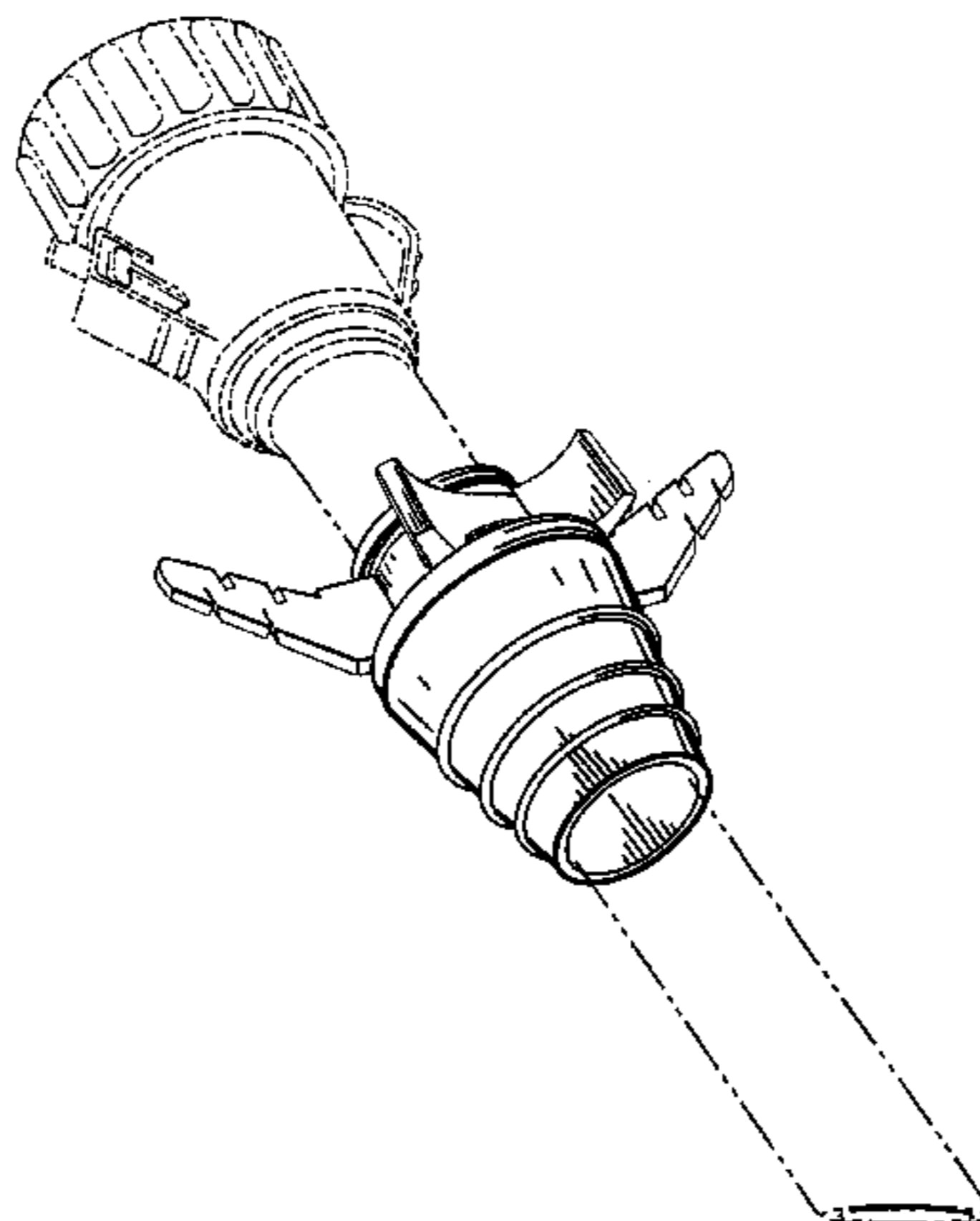
FIG. 1 is a perspective view of the combination medical clamp and medical coupler of our new design; FIG. 2 is a front elevational view of the design of FIG. 1; FIG. 3 is a rear elevational view of the design of FIG. 1; FIG. 4 is a left side elevational view of the design of FIG. 1; FIG. 5 is a right side elevational view of the design of FIG. 1; FIG. 6 is a top plan view of the design of FIG. 1; FIG. 7 is a bottom plan view of the design of FIG. 1; FIG. 8 is a perspective view of the medical clamp of the design, shown removed from the medical coupler for ease of illustration; FIG. 9 is a front elevational view of the design of FIG. 8; FIG. 10 is a rear elevational view of the design of FIG. 8; FIG. 11 is a left side elevational view of the design of FIG. 8; FIG. 12 is a right side elevational view of the design of FIG. 8; FIG. 13 is a top plan view of the design of FIG. 8; FIG. 14 is a bottom plan view of the design of FIG. 8; FIG. 15 is a perspective view of the medical coupler of our new design, shown removed from the medical clamp for ease of illustration; FIG. 16 is a top plan view of the design of FIG. 15; FIG. 17 is a bottom plan view of the design of FIG. 15; and, FIG. 18 is an elevational view of the design of FIG. 15. The phantom lines of FIGS. 1–7 form no part of the claimed design.

(56) **References Cited**

U.S. PATENT DOCUMENTS

5,104,383	A	4/1992	Shichman	
D338,270	S	* 8/1993	Stephens et al.	D24/140
5,300,036	A	4/1994	Mueller et al.	
5,342,315	A	8/1994	Rowe et al.	
5,350,364	A	9/1994	Stephens et al.	
5,366,478	A	11/1994	Brinkerhoff et al.	
D354,562	S	* 1/1995	Medema	D24/140
5,385,553	A	1/1995	Hart et al.	
5,397,335	A	3/1995	Gresl et al.	
5,411,483	A	5/1995	Loomas et al.	
5,443,452	A	8/1995	Hart et al.	
5,476,475	A	12/1995	Gadberry et al.	
5,497,433	A	3/1996	Itoh et al.	
5,584,850	A	12/1996	Hart et al.	
5,603,702	A	2/1997	Smith et al.	
5,628,732	A	5/1997	Antoon, Jr. et al.	
5,634,908	A	6/1997	Loomas	
5,657,963	A	8/1997	Hinchliffe et al.	
5,662,615	A	9/1997	Blake, III	

1 Claim, 6 Drawing Sheets



US D537,941 S

Page 2

U.S. PATENT DOCUMENTS

5,720,730	A	2/1998	Blake, III				
5,727,770	A	3/1998	Dennis				
5,752,938	A	5/1998	Flatland et al.				
5,792,113	A	8/1998	Kramer et al.				
5,807,338	A	* 9/1998	Smith et al.	604/164.01		
5,827,228	A	10/1998	Rowe				
5,865,807	A	2/1999	Blake, III				
5,895,377	A	4/1999	Smith et al.				
5,980,493	A	* 11/1999	Smith et al.	604/164.11		
5,989,224	A	11/1999	Exline et al.				
D426,635	S	6/2000	Haberland et al.				
D434,148	S	* 11/2000	Sauer et al.	D24/146		
6,217,555	B1	4/2001	Hart et al.				
6,228,061	B1	5/2001	Flatland et al.				
6,258,065	B1	7/2001	Dennis et al.				
D449,887	S	10/2001	Haberland et al.				
6,482,181	B1	11/2002	Racenet et al.				
6,551,282	B1	4/2003	Exline et al.				
6,569,119	B1	5/2003	Haberland et al.				
6,595,946	B1	7/2003	Pasqualucci et al.				
6,612,196	B1	9/2003	Petzold				
6,695,772	B1	* 2/2004	Bon et al.	600/114		
6,702,787	B2	3/2004	Racenet et al.				
6,884,253	B1	* 4/2005	McFarlane	606/185		
6,908,454	B2	* 6/2005	McFarlane	604/178		
6,923,783	B2	* 8/2005	Pasqualucci	604/27		
2004/0111060	A1	* 6/2004	Racenet et al.	604/167.01		

* cited by examiner

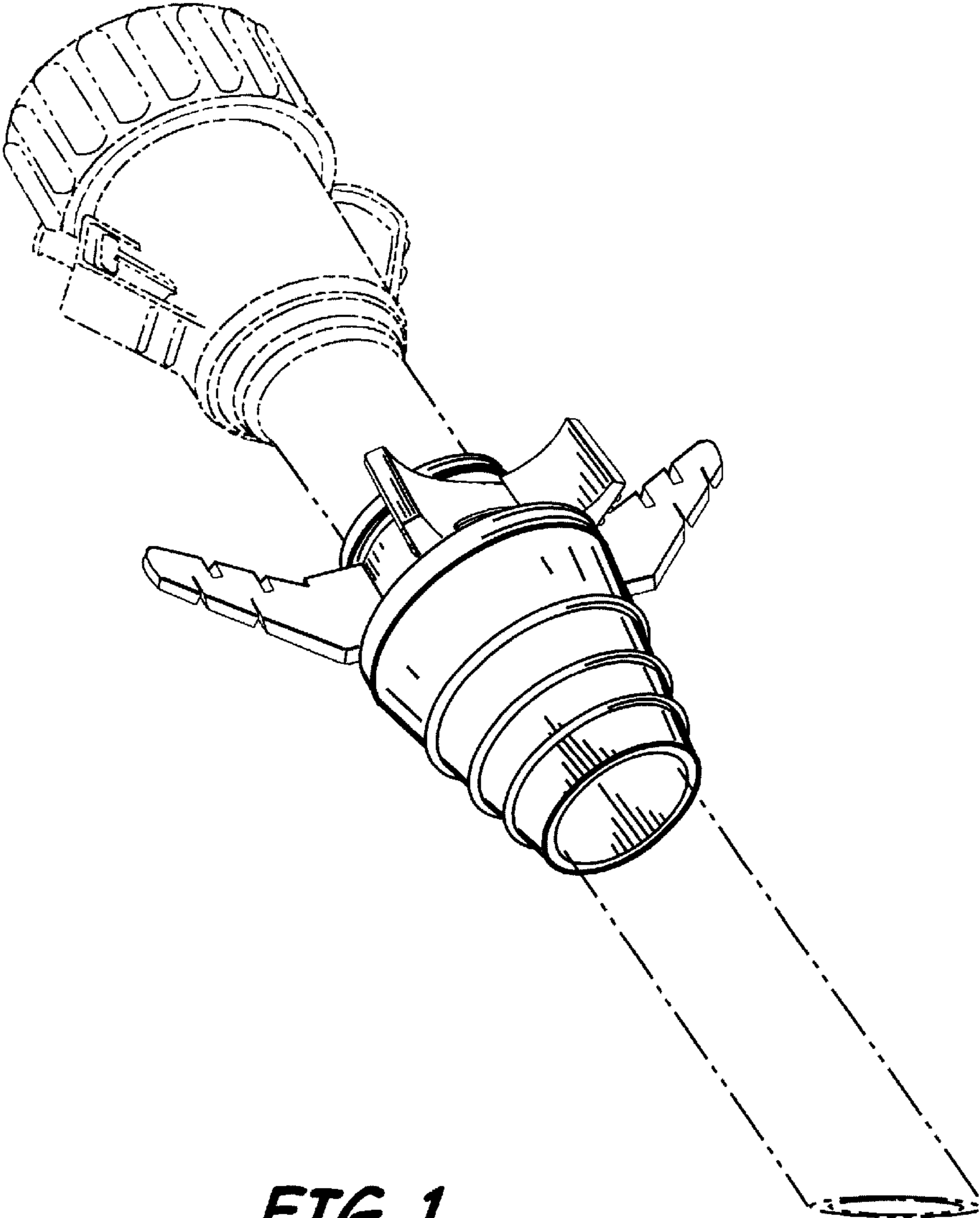


FIG. 1.

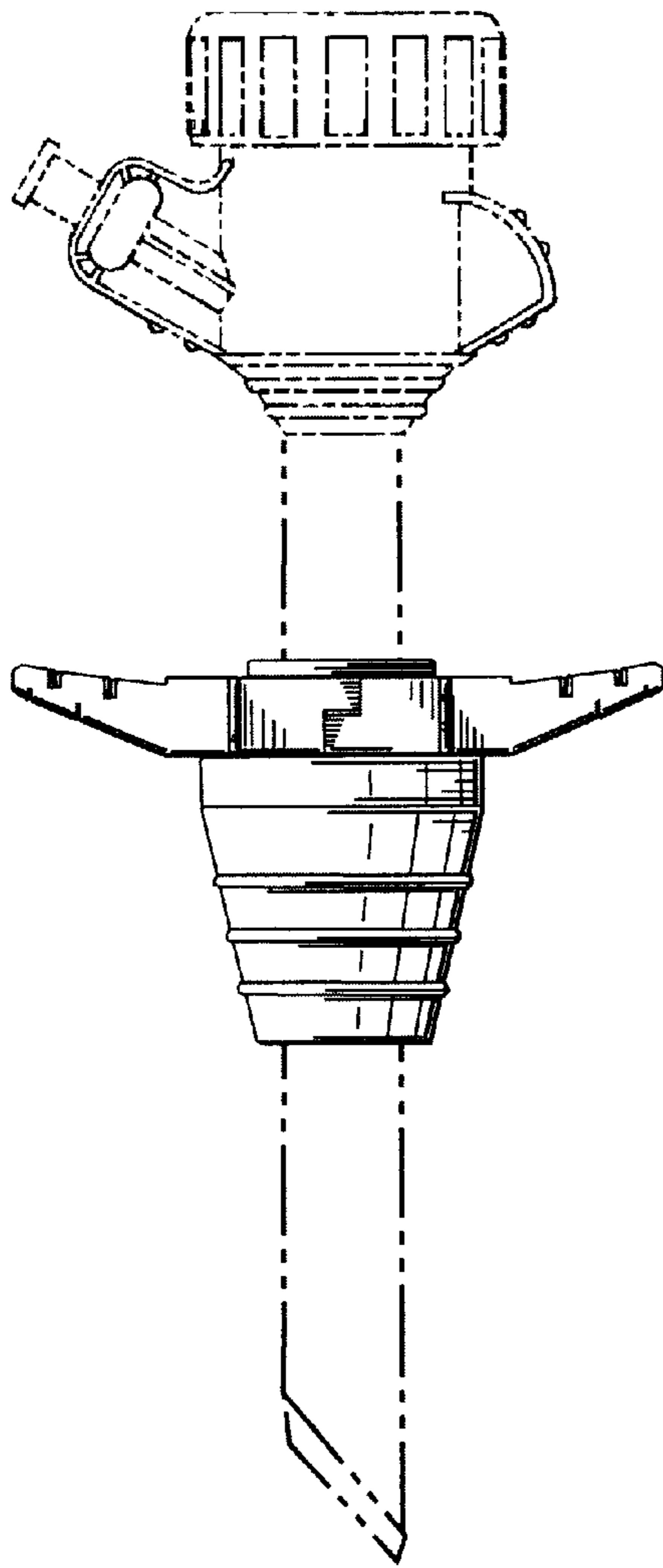


FIG. 2.

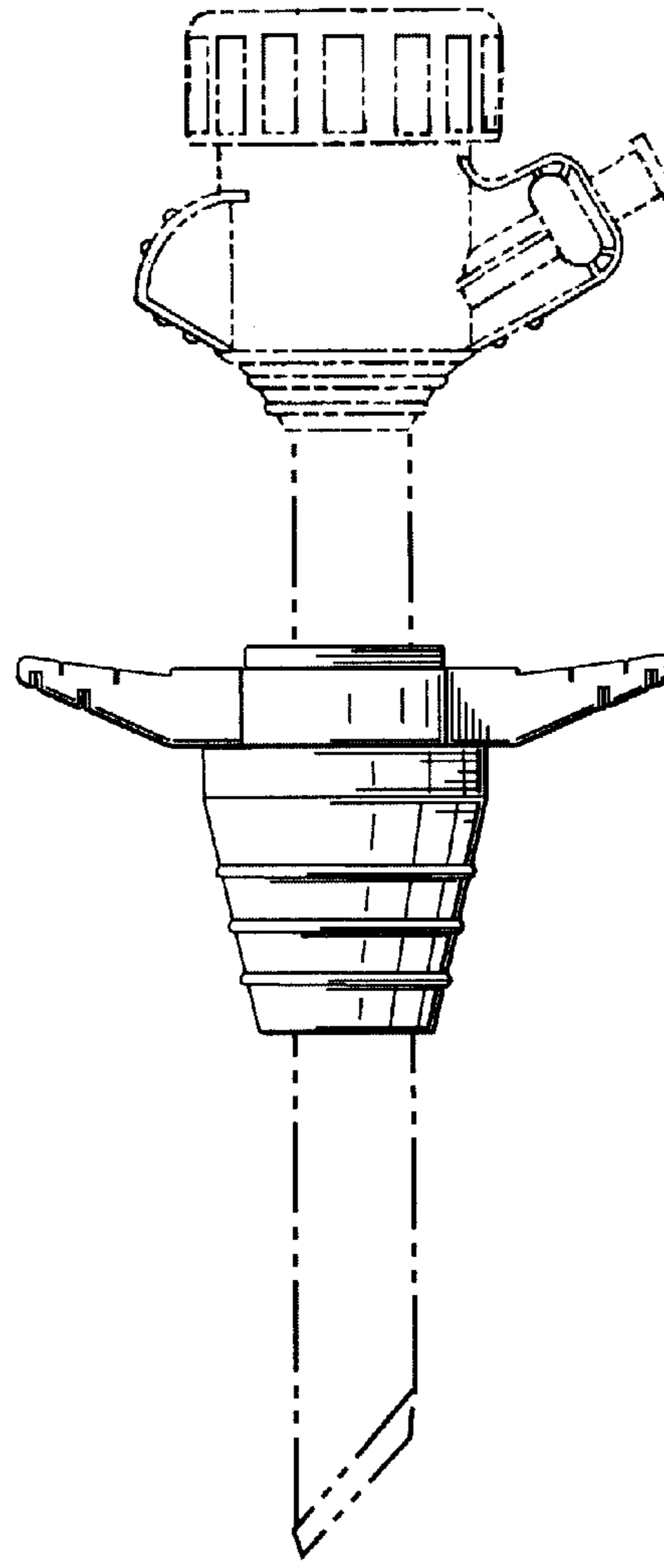


FIG. 3.

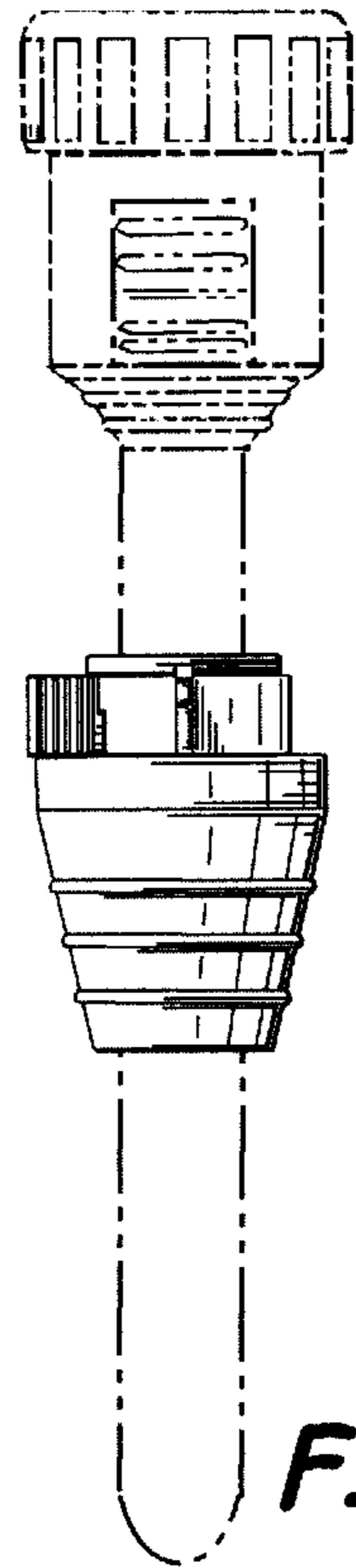


FIG. 4.

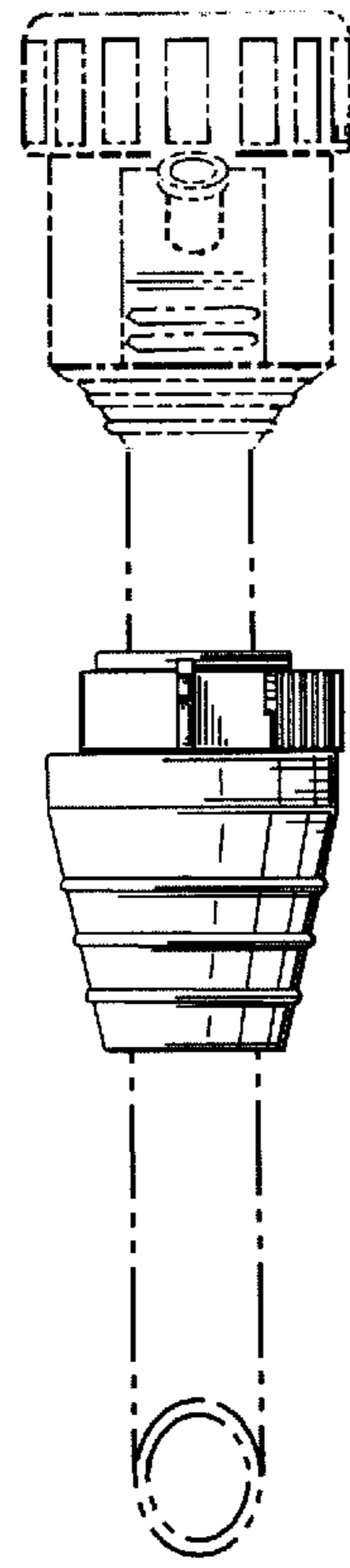


FIG. 5.

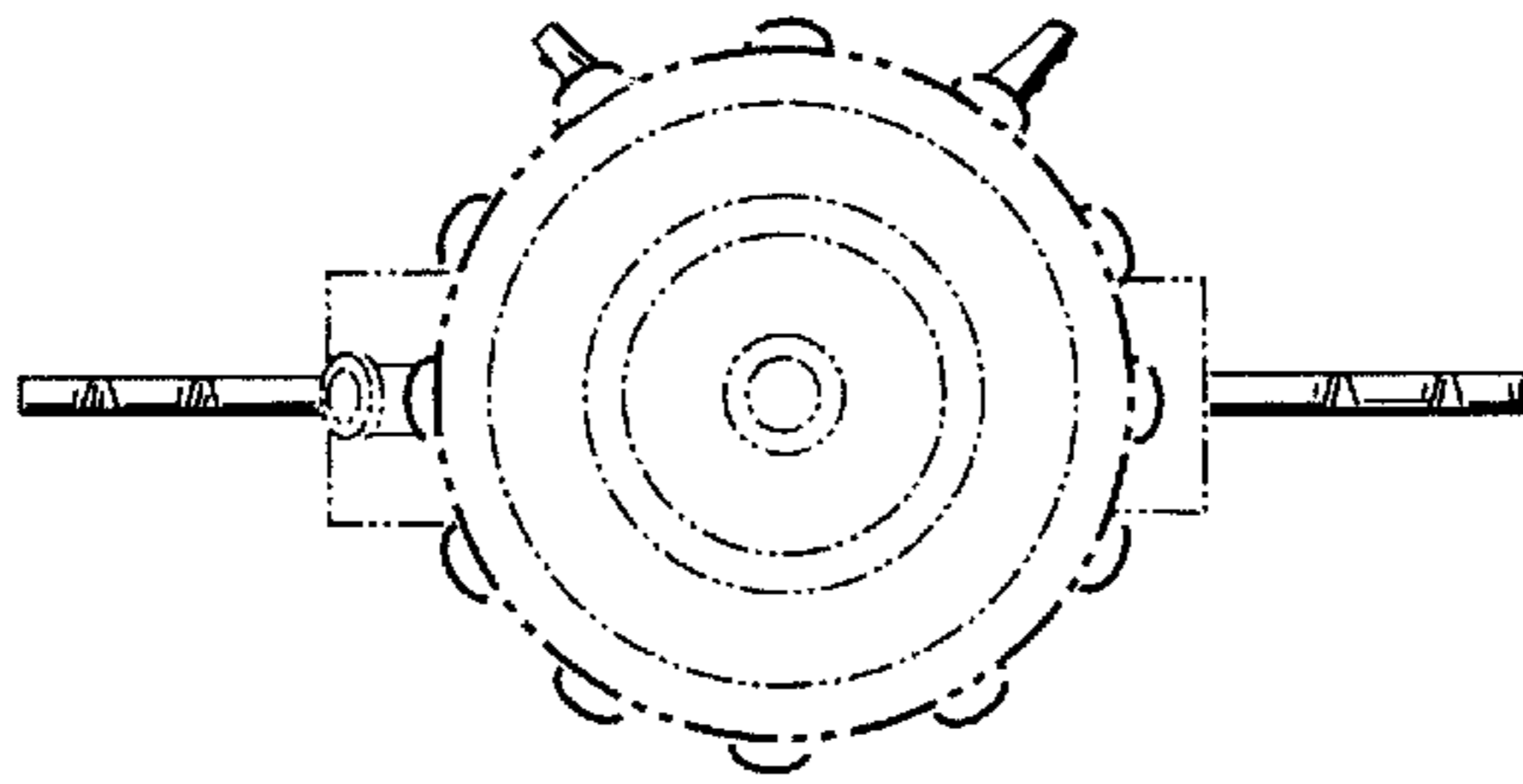


FIG. 6.

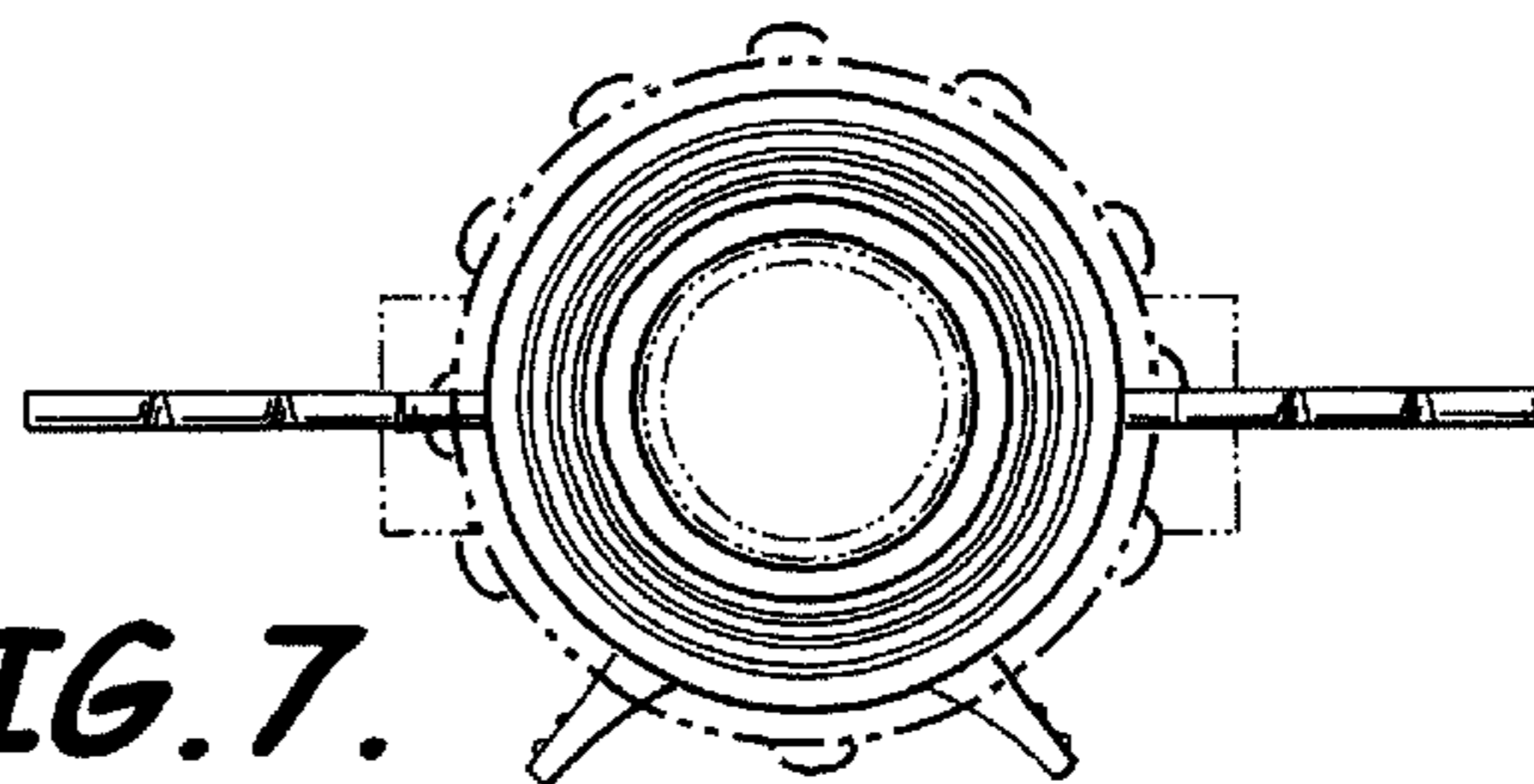


FIG. 7.

FIG. 8.

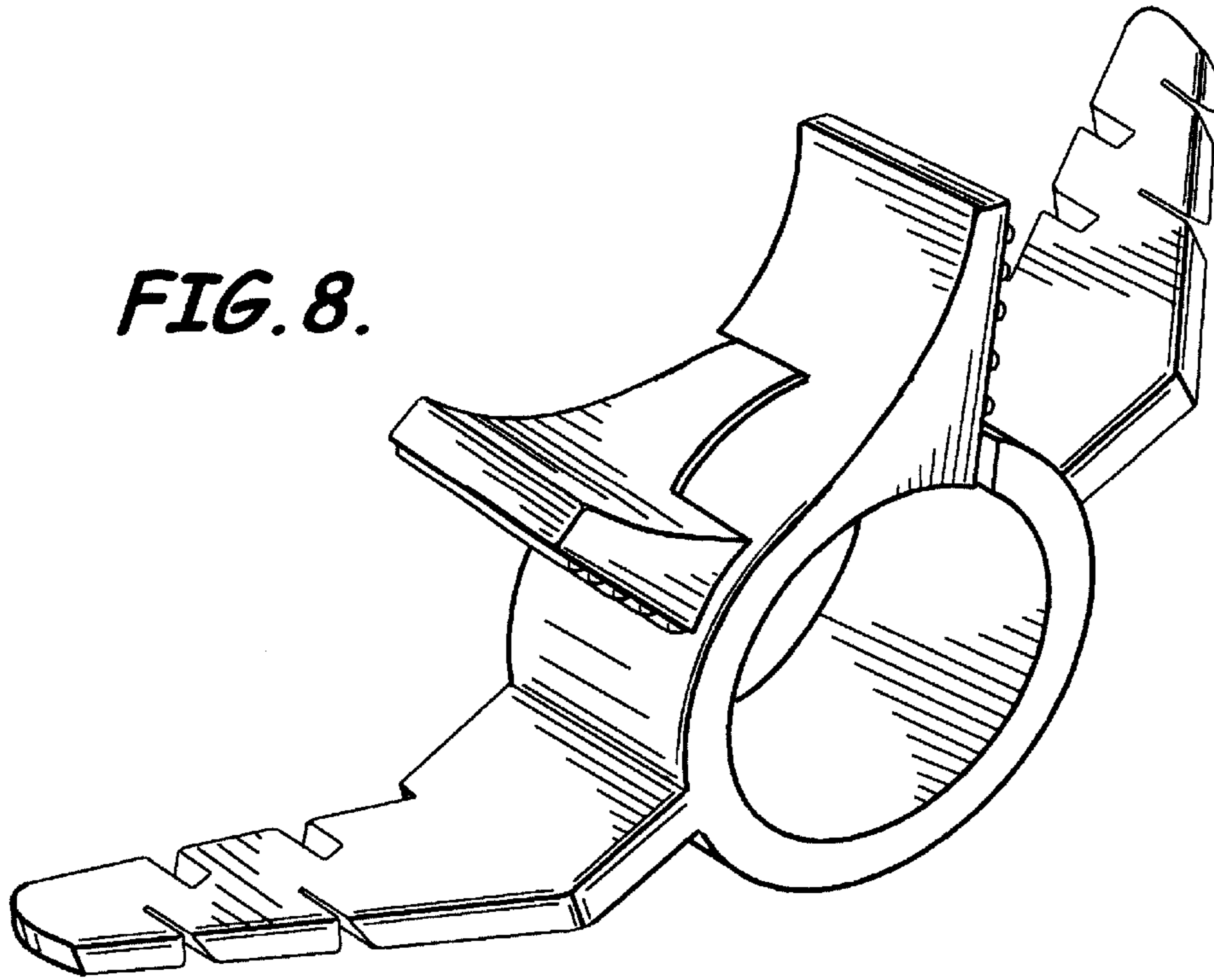


FIG. 9.

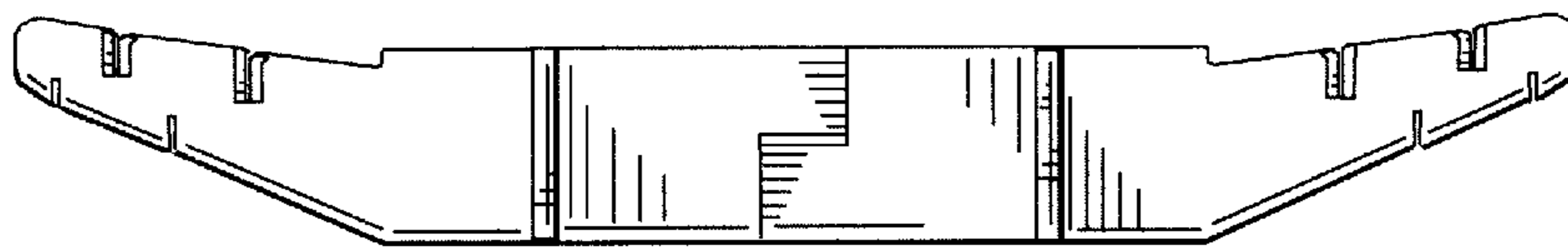


FIG. 10.

FIG. 11.

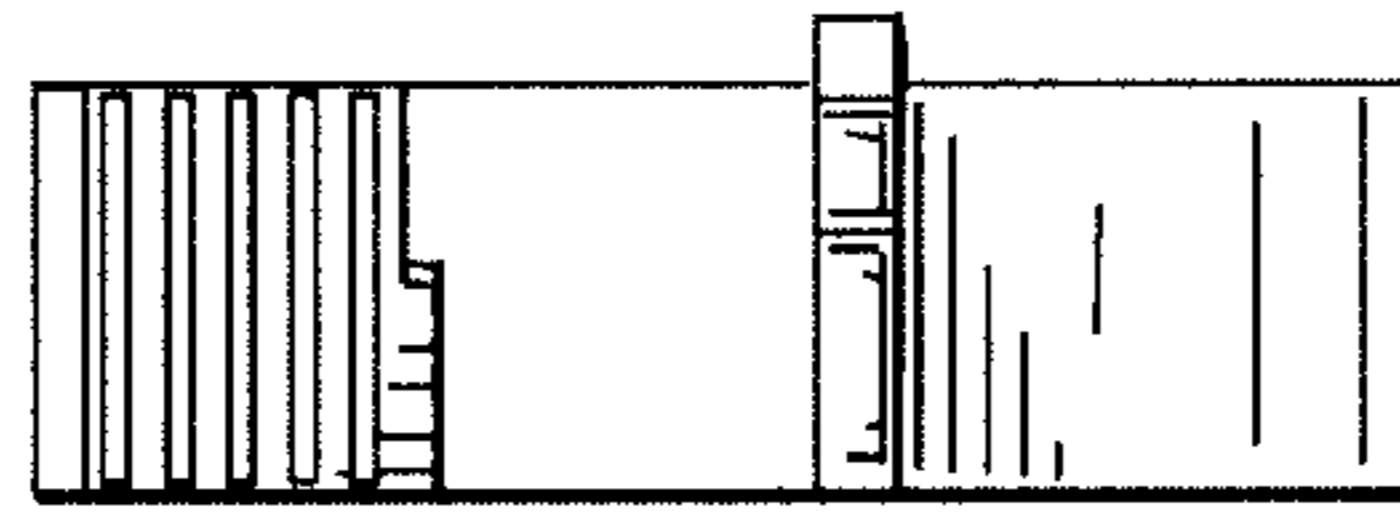


FIG. 12.

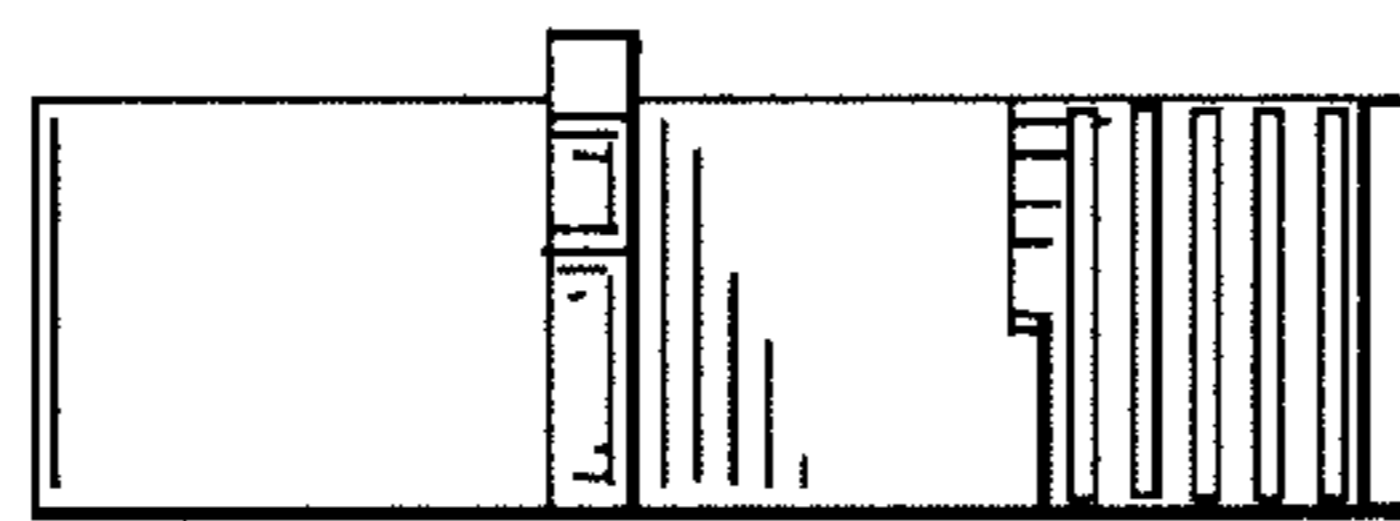


FIG. 13.

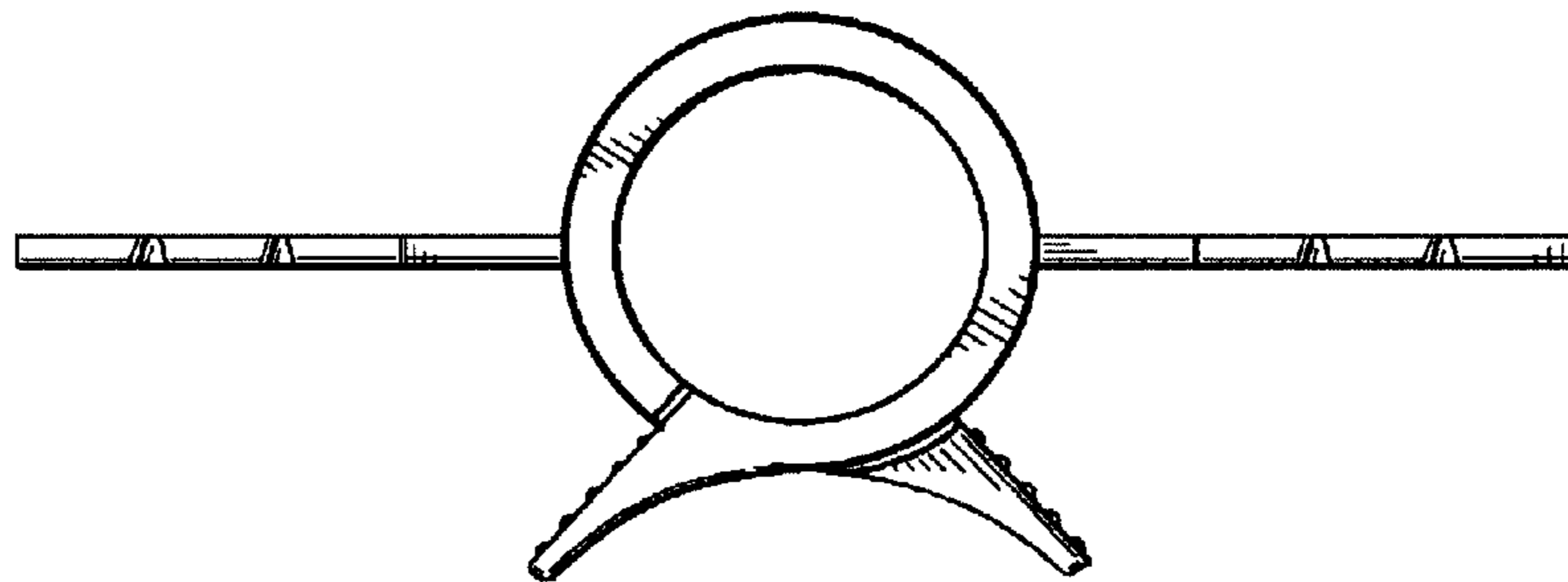
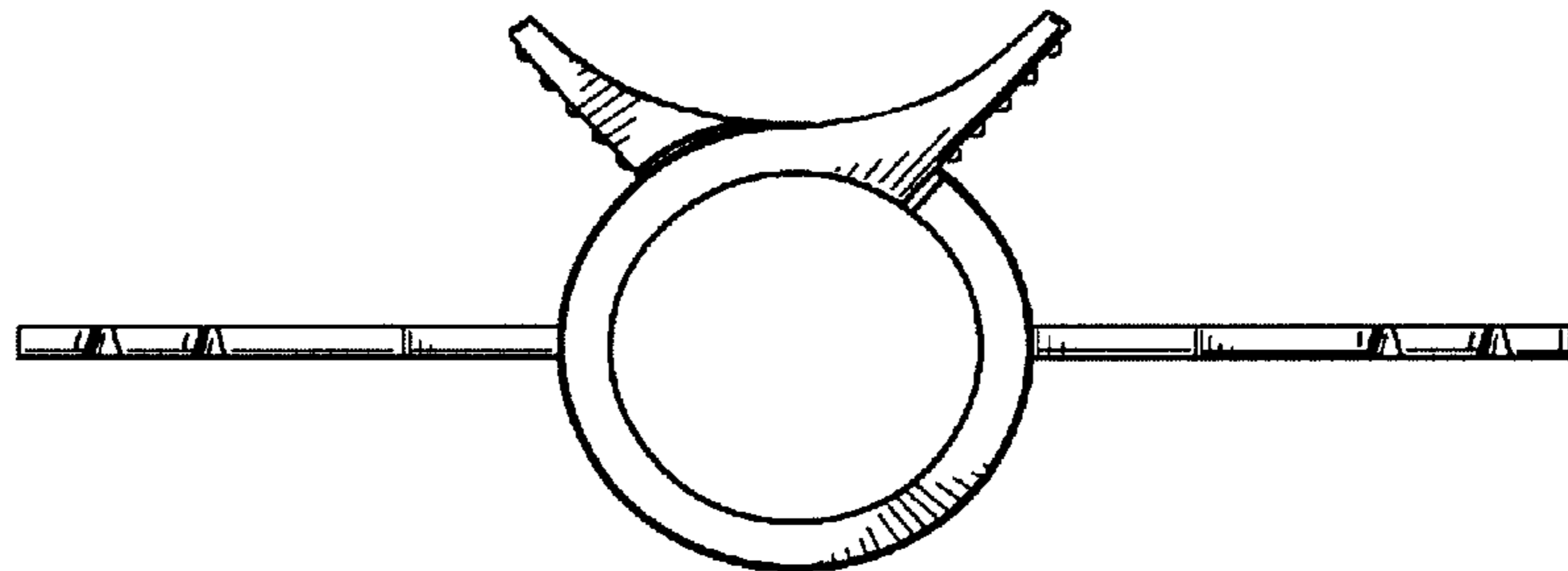


FIG. 14.

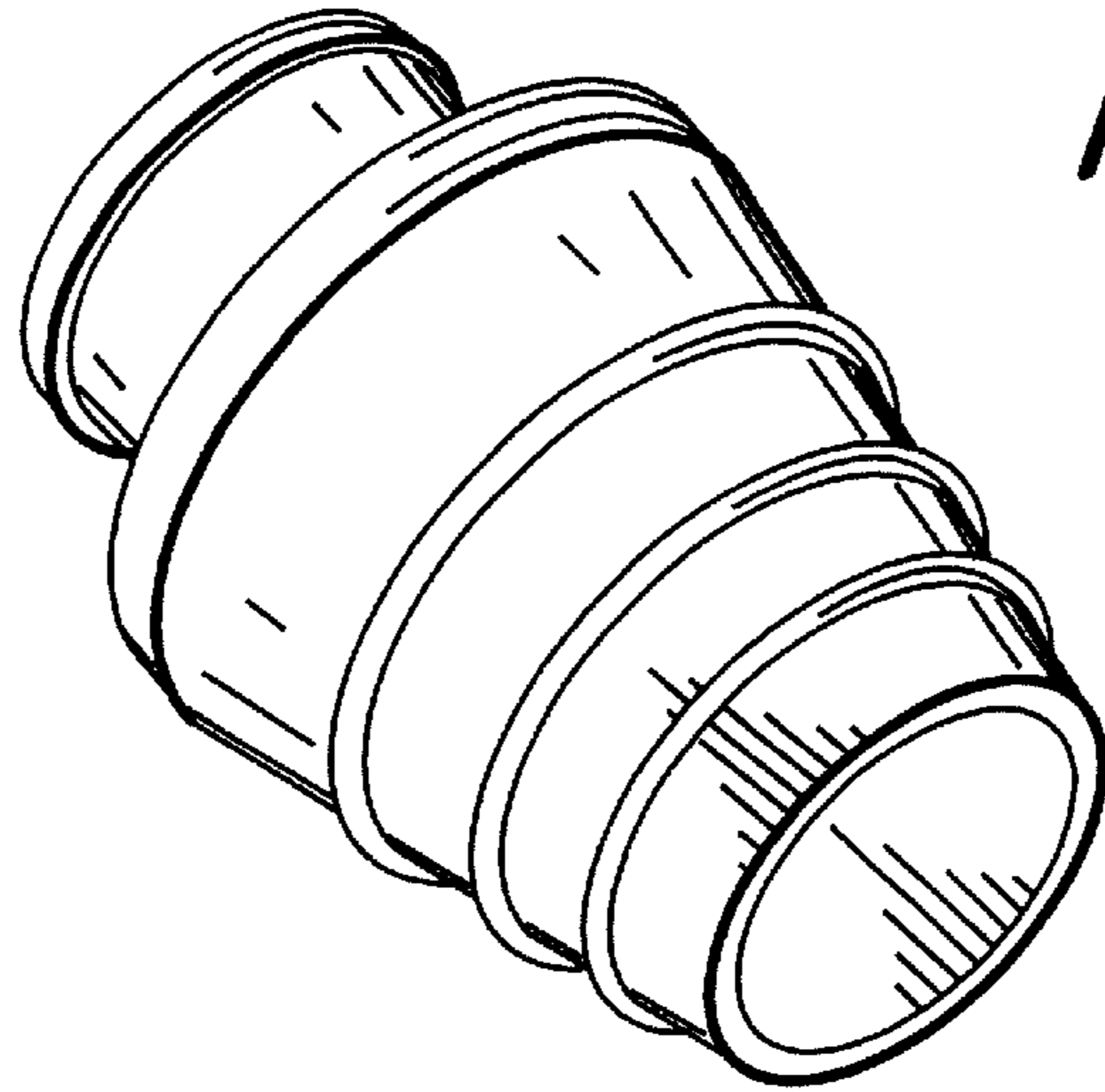


FIG. 15.

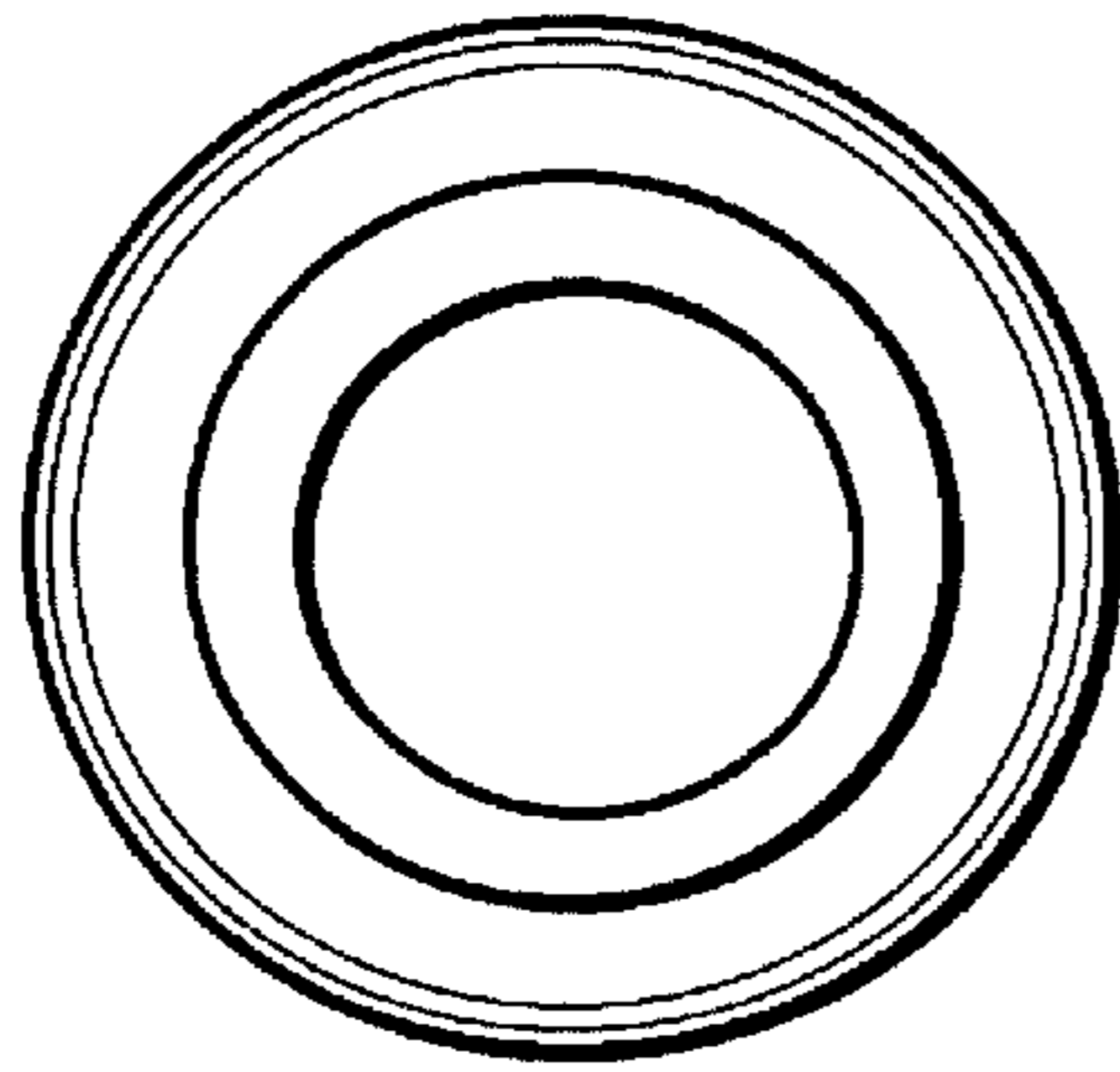


FIG. 16.

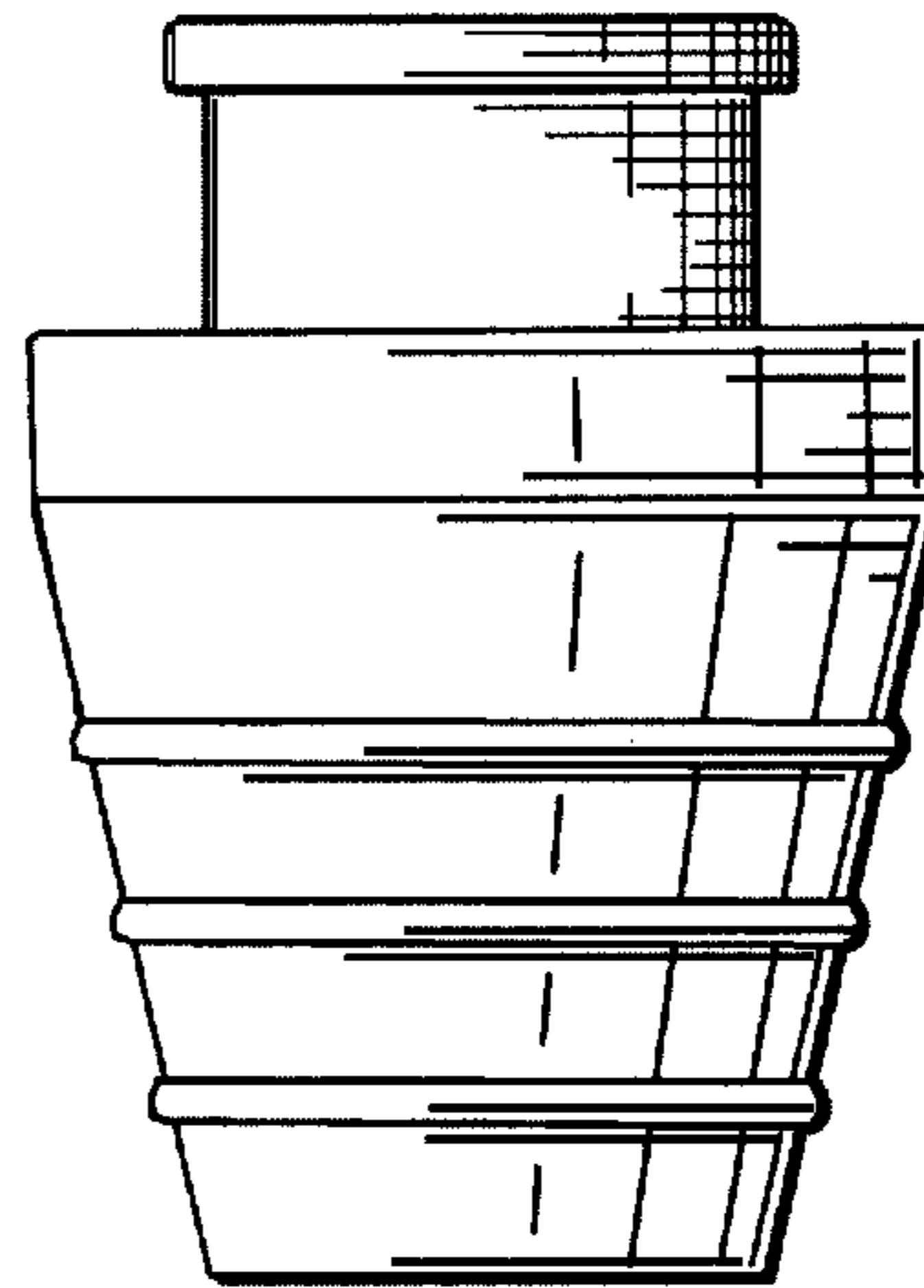


FIG. 18.

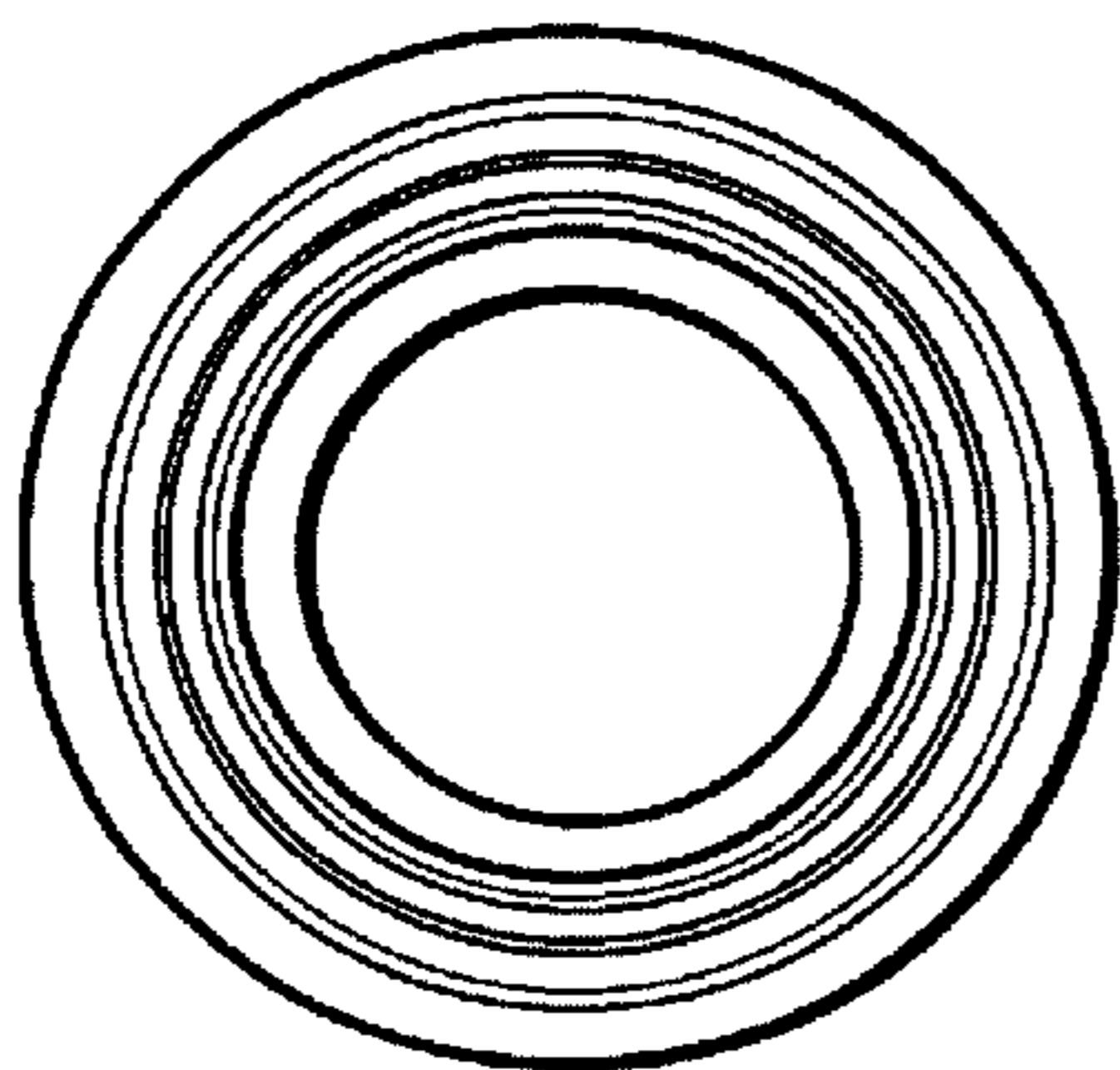


FIG. 17.