



US00D537940S

(12) **United States Design Patent**
Büttler

(10) **Patent No.:** **US D537,940 S**
(45) **Date of Patent:** **** Mar. 6, 2007**

(54) **HEAD FOR SURGICAL HAMMER**

(75) Inventor: **Markus Büttler**, Oensingen (CH)

(73) Assignee: **Synthes (USA)**, West Chester, PA (US)

(**) Term: **14 Years**

(21) Appl. No.: **29/223,095**

(22) Filed: **Feb. 8, 2005**

(30) **Foreign Application Priority Data**

Aug. 11, 2004 (WO) 277158801

(51) **LOC (8) Cl.** **24-02**

(52) **U.S. Cl.** **D24/142**

(58) **Field of Classification Search** D24/142;
D8/75-80, 382; 606/100

See application file for complete search history.

(56) **References Cited**

U.S. PATENT DOCUMENTS

- 3,585,994 A 6/1971 Huggler et al.
- 4,476,861 A 10/1984 Dimakos et al.
- 4,924,056 A 5/1990 Bevilacqua
- 5,013,314 A 5/1991 Firica et al.
- 5,122,146 A 6/1992 Chapman et al.
- D353,758 S * 12/1994 Frykman D8/78

- D373,060 S * 8/1996 Wilcox D8/78
- 5,913,860 A 6/1999 Scholl
- 6,592,590 B2 7/2003 Simon
- 2003/0028197 A1 2/2003 Hanson et al.
- 2005/0240197 A1 * 10/2005 Kmiec 606/100

* cited by examiner

Primary Examiner—Antoine D. Davis

Assistant Examiner—Christopher Lee

(74) *Attorney, Agent, or Firm*—Jones Day

(57) **CLAIM**

The ornamental design for a head for surgical hammer, as shown and described.

DESCRIPTION

FIG. 1 is a perspective view illustrating my design for a head;

FIG. 2 is a front view of the head illustrated in FIG. 1;

FIG. 3 is a rear view of the head illustrated in FIG. 1;

FIG. 4 is a right side view of the head illustrated in FIG. 1;

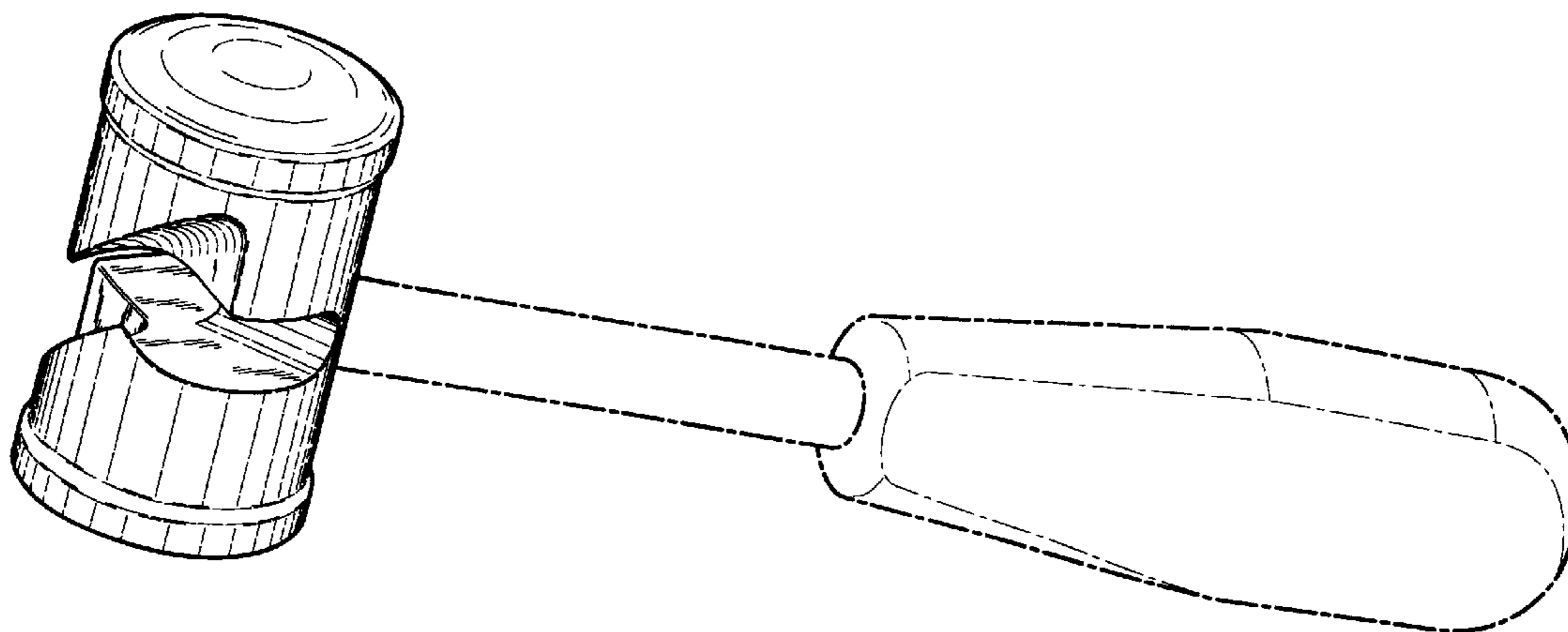
FIG. 5 is a left side view of the head illustrated in FIG. 1;

FIG. 6 is a top view of the head illustrated in FIG. 1; and,

FIG. 7 is a bottom view of the head illustrated in FIG. 1.

All portions shown in broken lines are environmental and illustrative only and form no part of the claimed design.

1 Claim, 7 Drawing Sheets



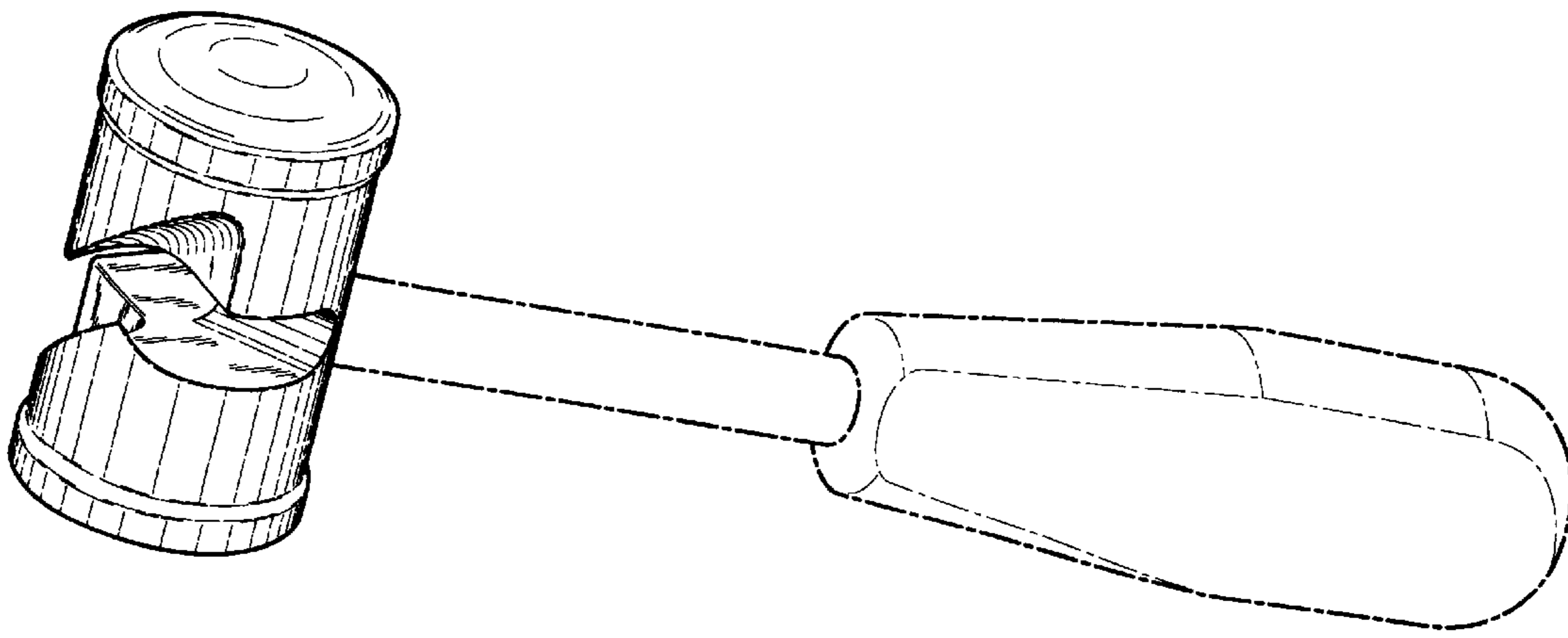


Fig. 1

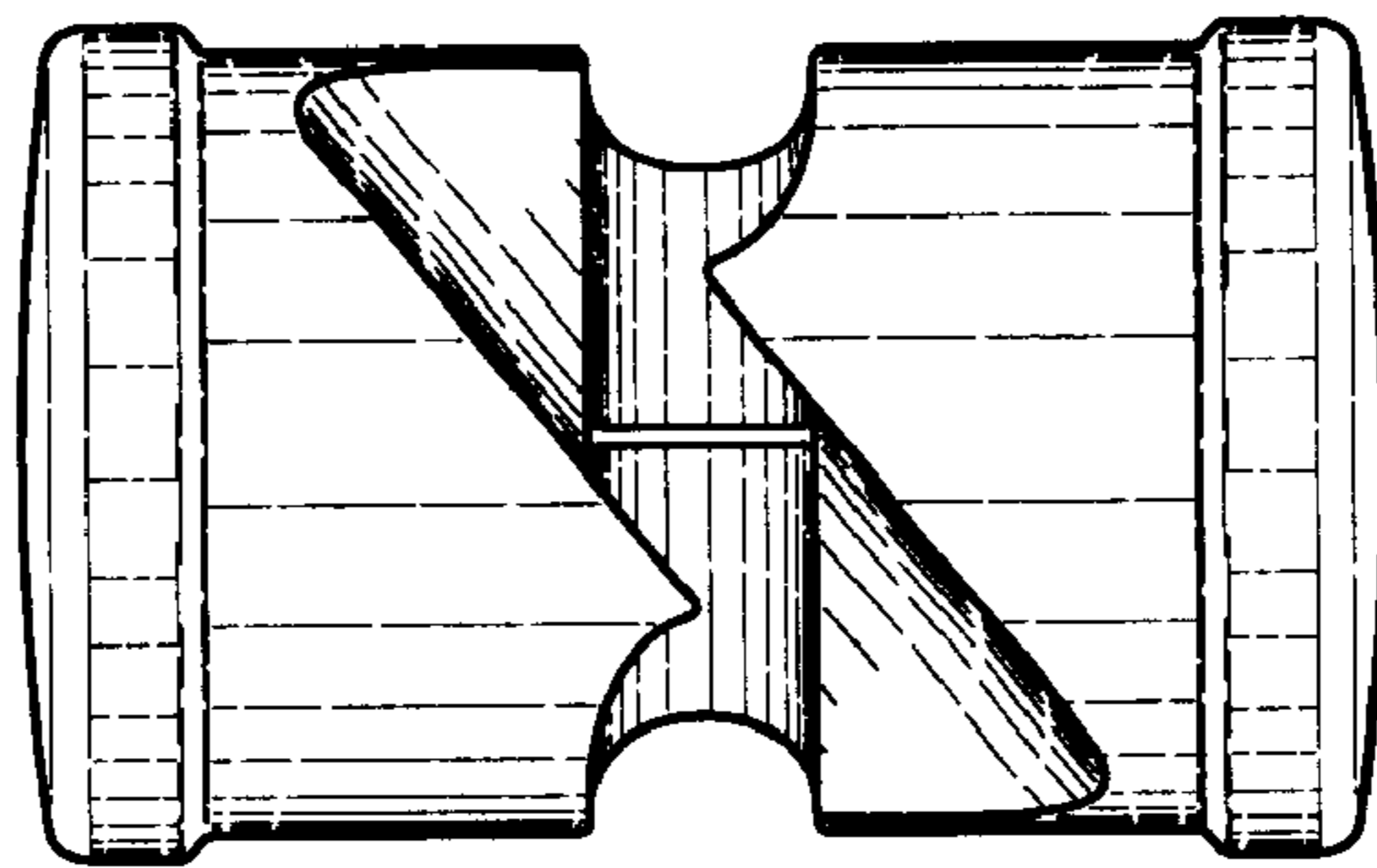


Fig. 2

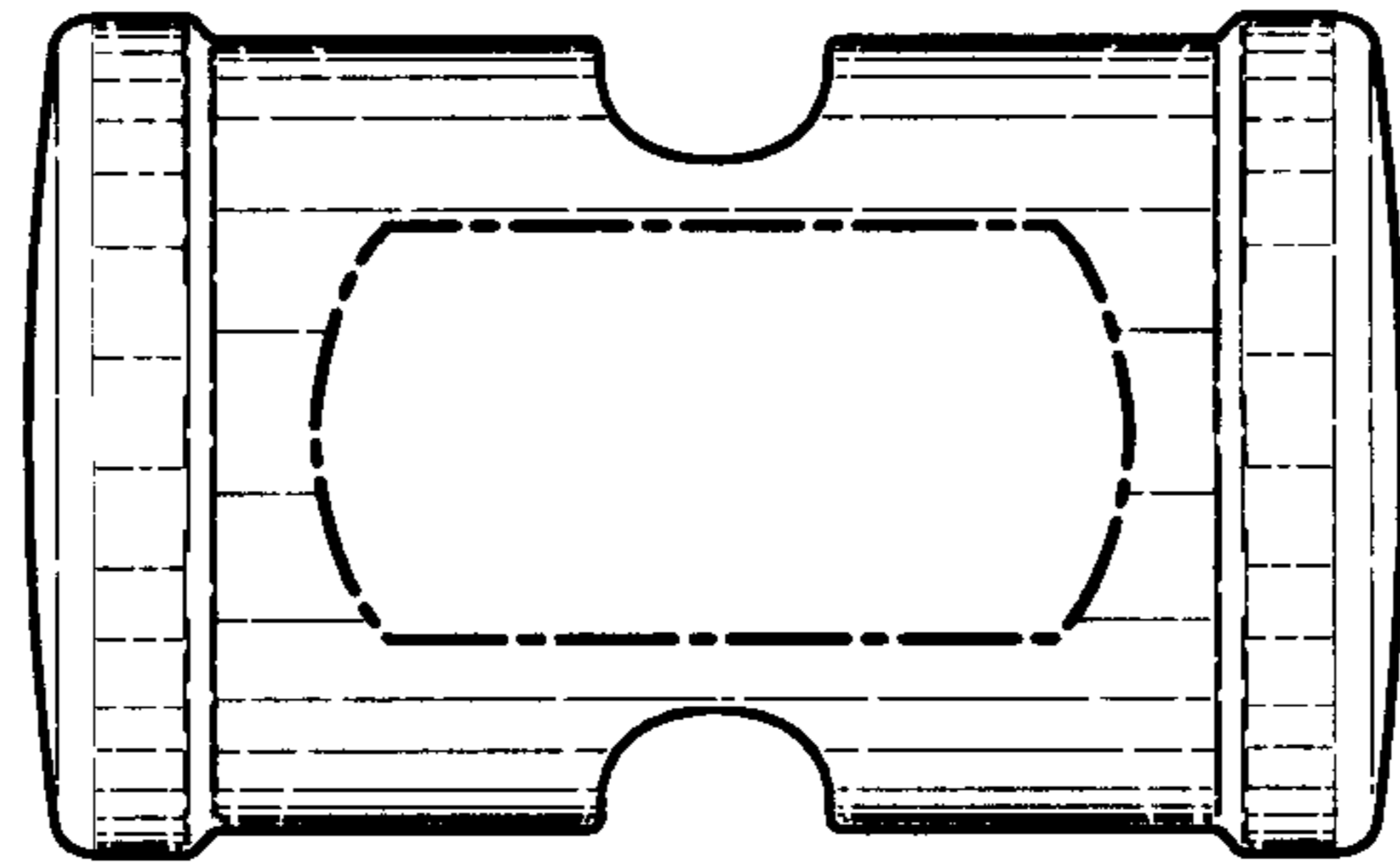


Fig. 3

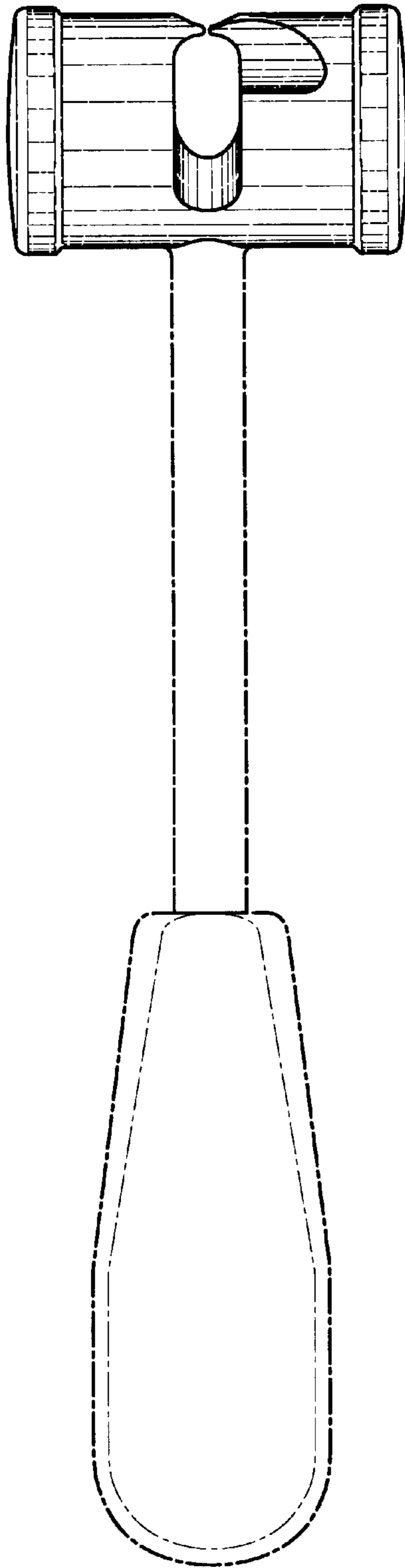


Fig.4

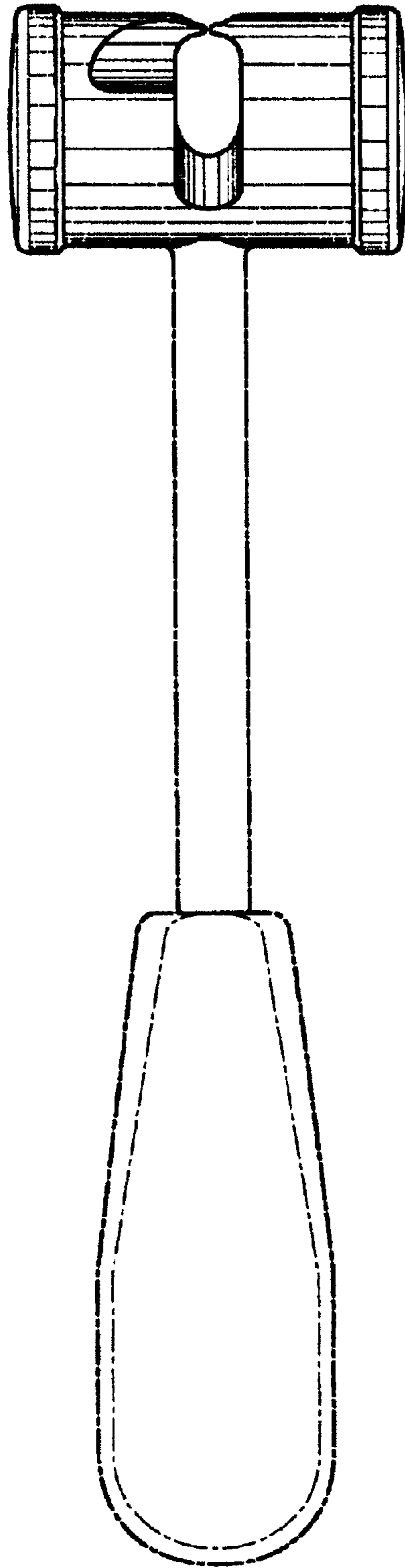


Fig.5

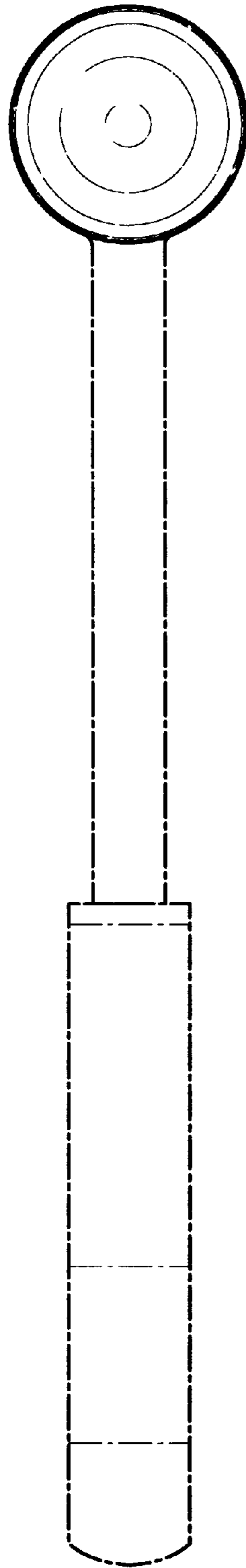


Fig. 6

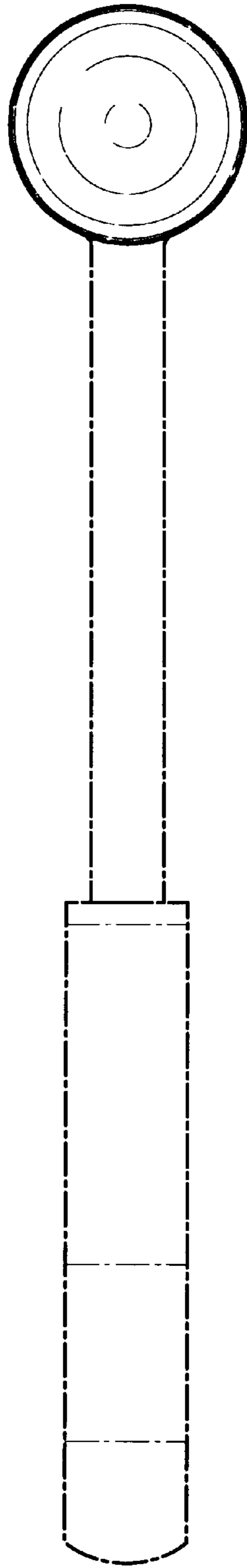


Fig. 7