



US00D537938S

(12) **United States Design Patent**
Hay et al.

(10) **Patent No.:** **US D537,938 S**
(45) **Date of Patent:** **** Mar. 6, 2007**

(54) **BONE CRUSHER**

(75) Inventors: **James Scott Hay**, Parkland, FL (US);
James Carnation, Tamarac, FL (US);
Ryan Singh, Loxahatchee, FL (US)

(73) Assignee: **Medical Innovators, Inc.**, Pompano
Beach, FL (US)

(**) Term: **14 Years**

(21) Appl. No.: **29/222,918**

(22) Filed: **Feb. 4, 2005**

(51) **LOC (8) Cl.** **24-02**

(52) **U.S. Cl.** **D24/133**

(58) **Field of Classification Search** D24/133,
D24/220; D7/682; D8/61, 62; 24/30, 93,
24/100, 199.12, 282.1

See application file for complete search history.

(56) **References Cited**

U.S. PATENT DOCUMENTS

1,535,772 A	4/1925	Haufler
2,001,075 A	5/1935	Sundstrand
2,048,509 A	7/1936	Melcher et al.
4,231,527 A	11/1980	Bounds
4,307,846 A	12/1981	Spelsberg
4,715,545 A	12/1987	Hanifl et al.

5,533,683 A	7/1996	Fay et al.	
5,769,853 A	6/1998	Quétin	
6,287,312 B1	9/2001	Clokie et al.	
6,390,399 B1	5/2002	Mankiewicz	
6,464,156 B1	10/2002	Wexell	
6,484,954 B2	11/2002	Lenox	
D488,365 S *	4/2004	Liu	D8/62
6,824,087 B2 *	11/2004	McPherson et al.	241/30
D511,953 S *	11/2005	Janson	D8/62
2004/0155132 A1 *	8/2004	McPherson et al. ...	241/199.12

* cited by examiner

Primary Examiner—Antoine D. Davis

Assistant Examiner—Christopher Lee

(74) *Attorney, Agent, or Firm*—Christopher & Weisberg,
P.A.

(57) **CLAIM**

The ornamental design for an bone crusher, as shown.

DESCRIPTION

FIG. 1 is a front perspective view of the bone crusher;
FIG. 2 is a left side view, the right side being a mirror image
thereof;

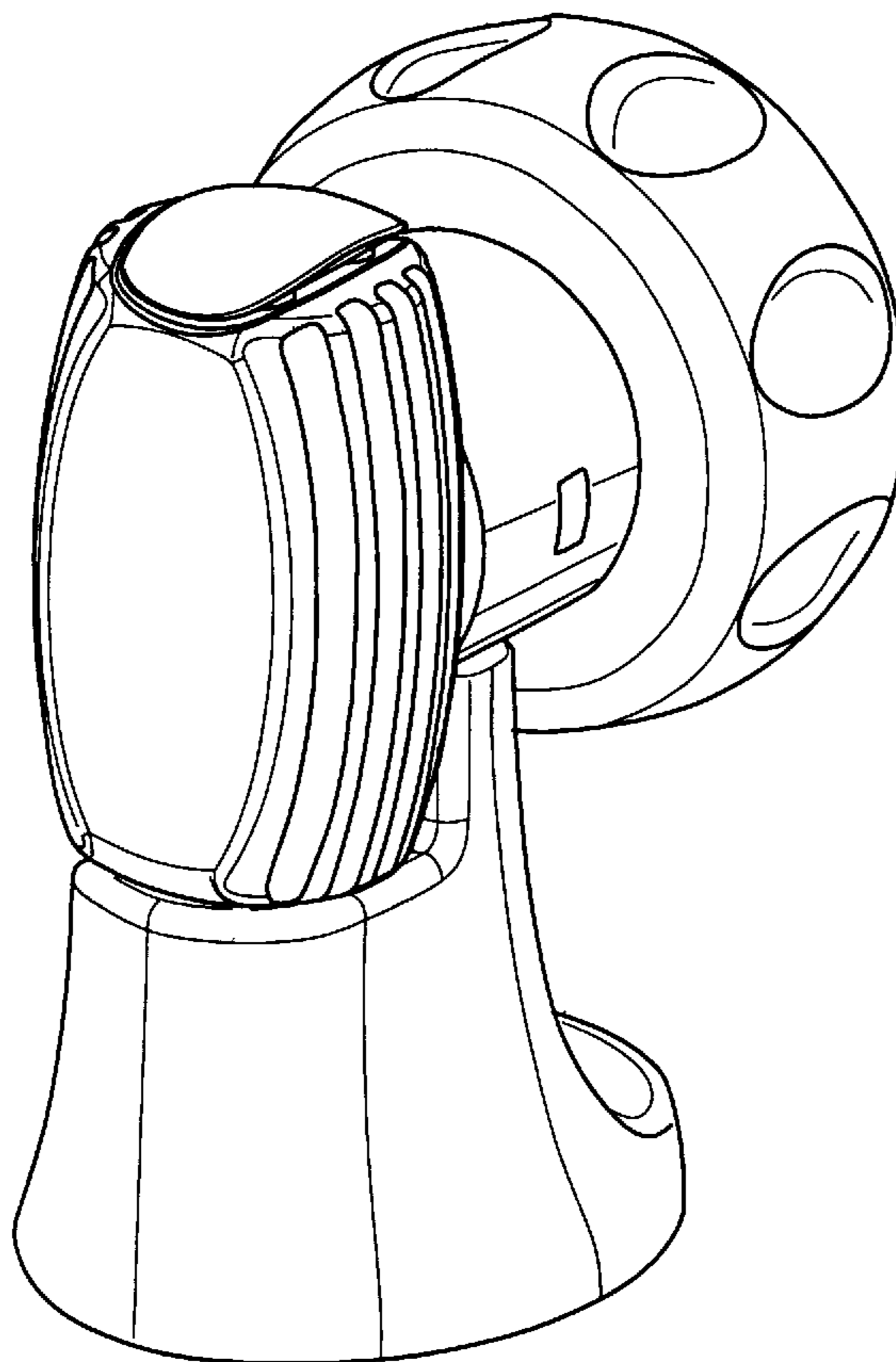
FIG. 3 is a rear view thereof;

FIG. 4 is a front view thereof; and

FIG. 5 is a top view thereof; and,

FIG. 6 is a bottom view thereof.

1 Claim, 3 Drawing Sheets



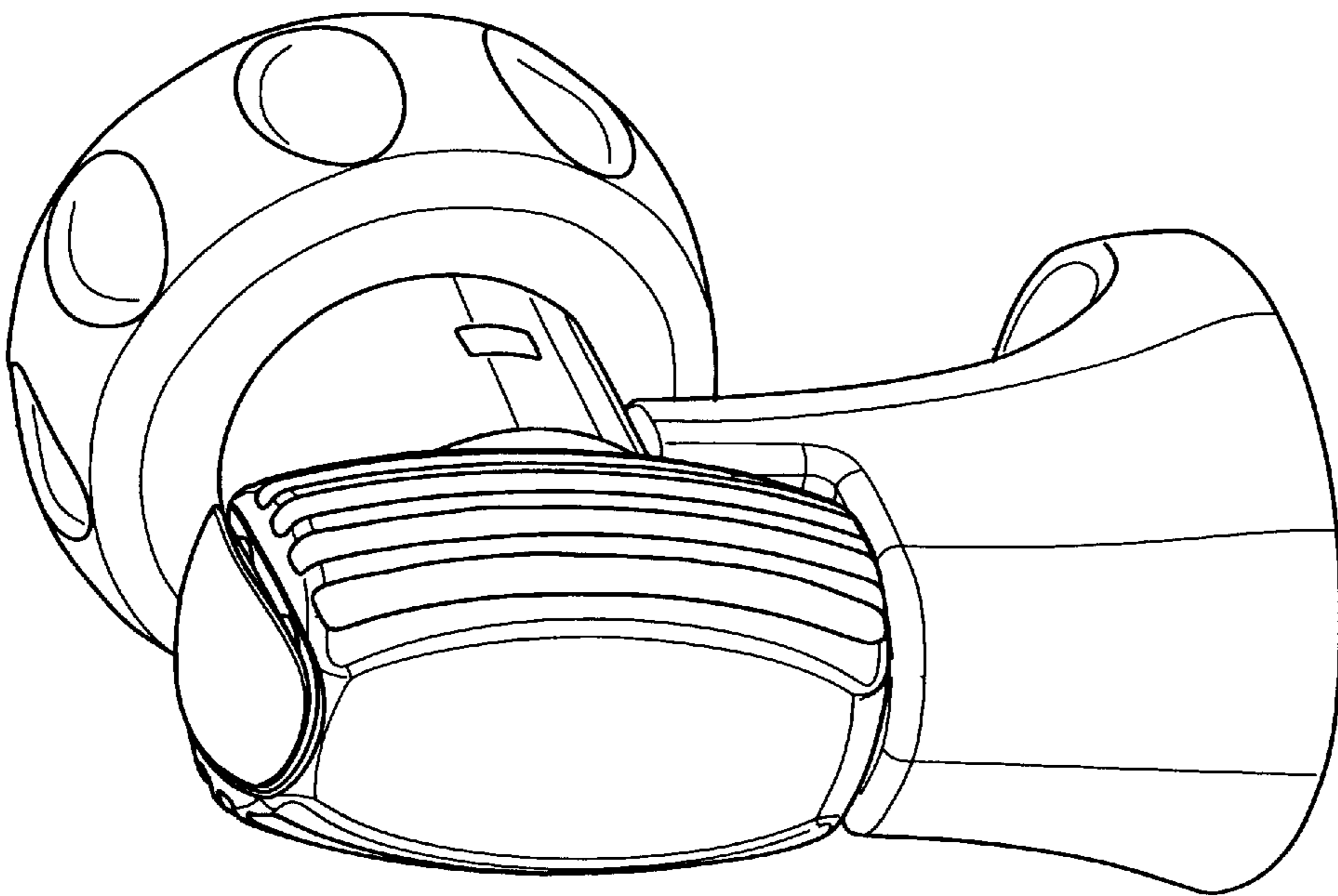


FIG. 1

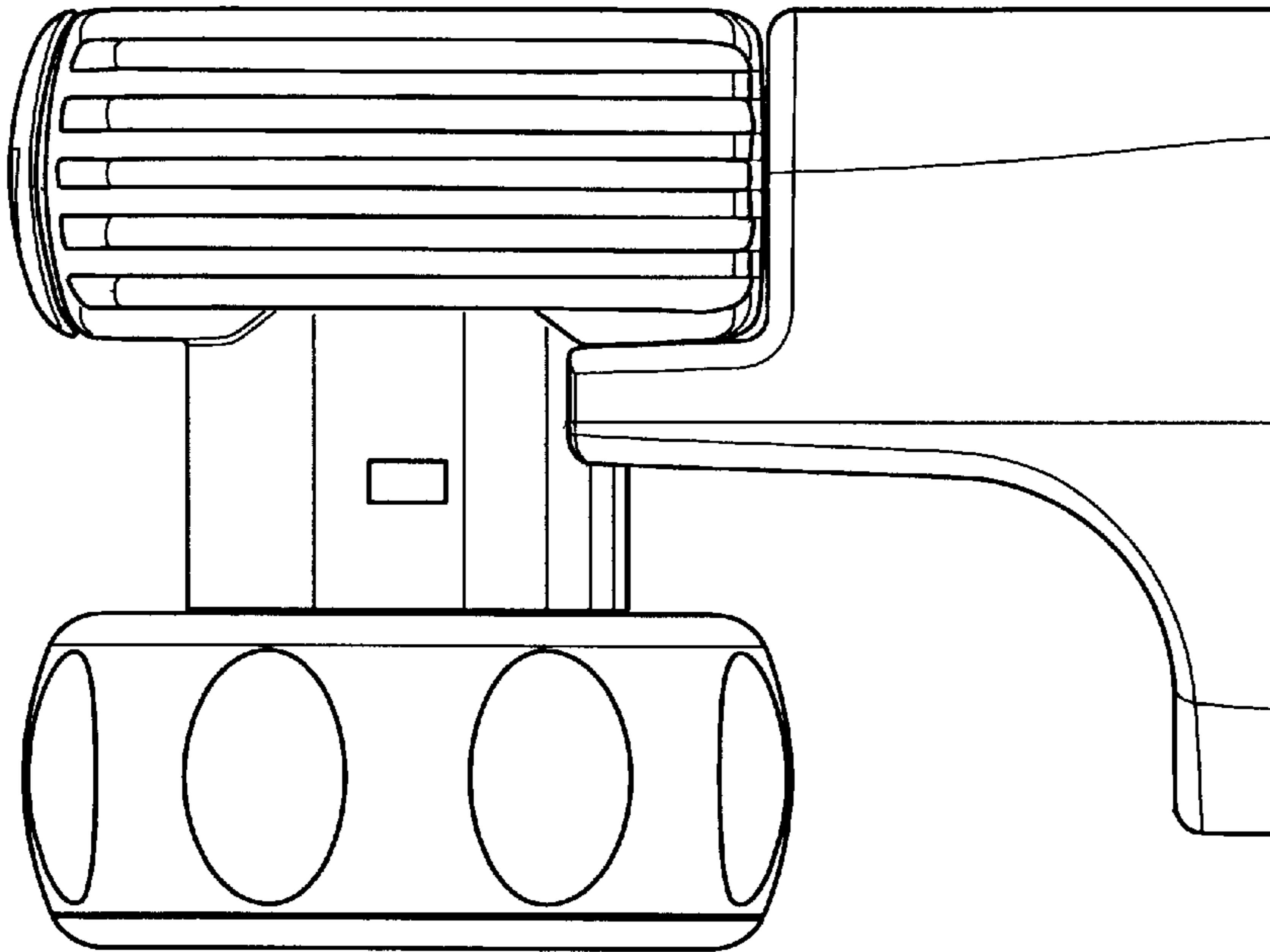


FIG. 2

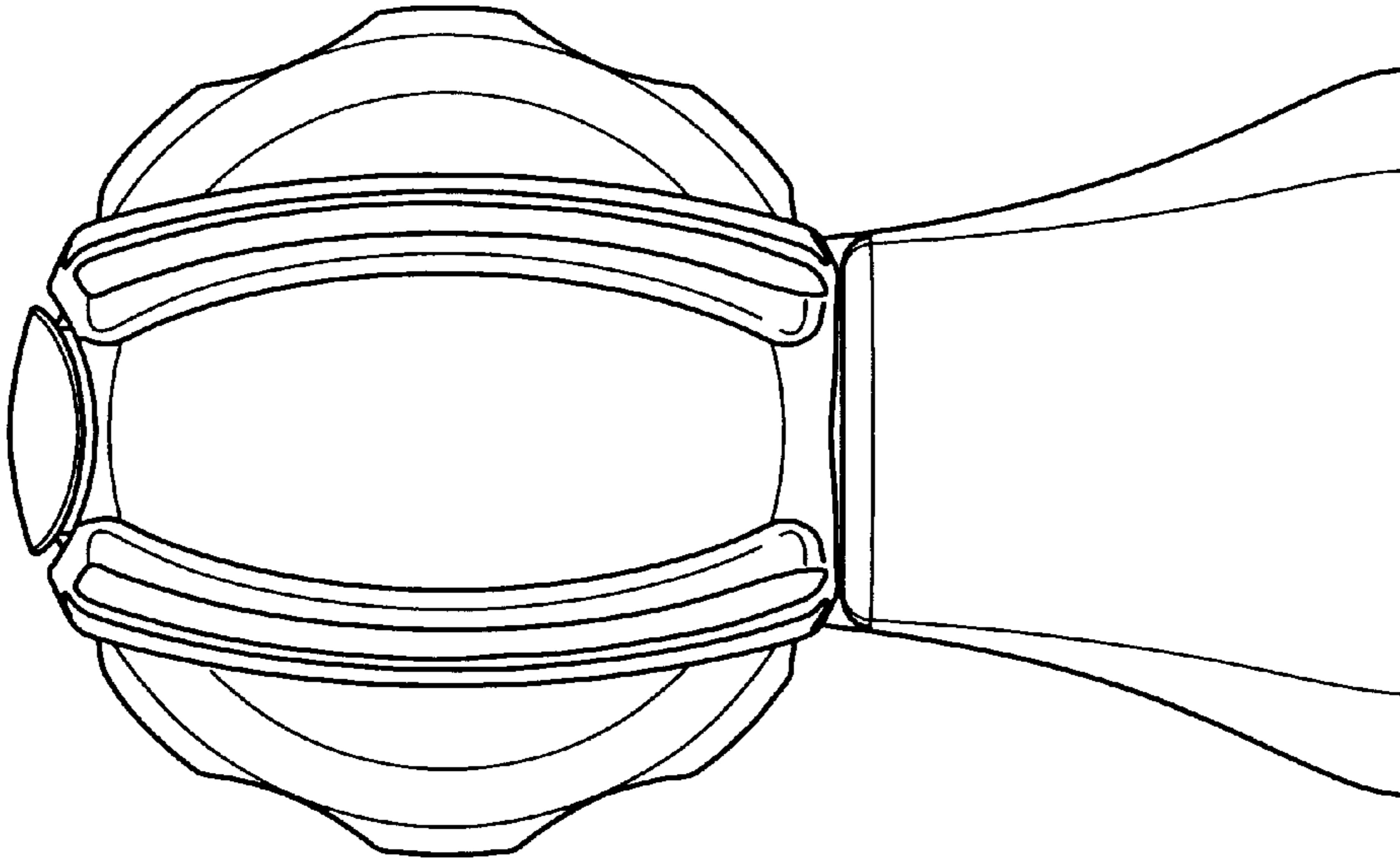


FIG. 4

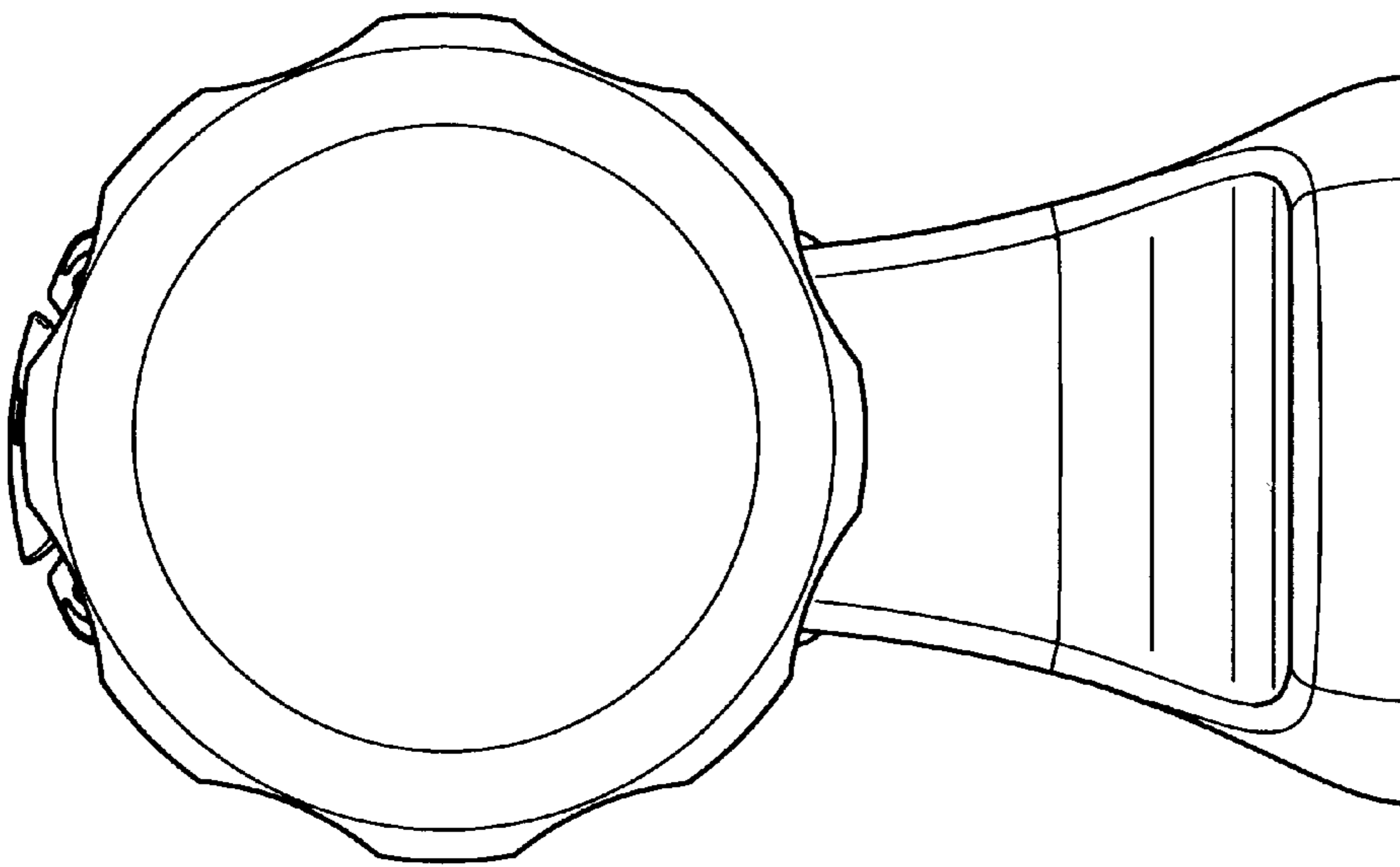


FIG. 3

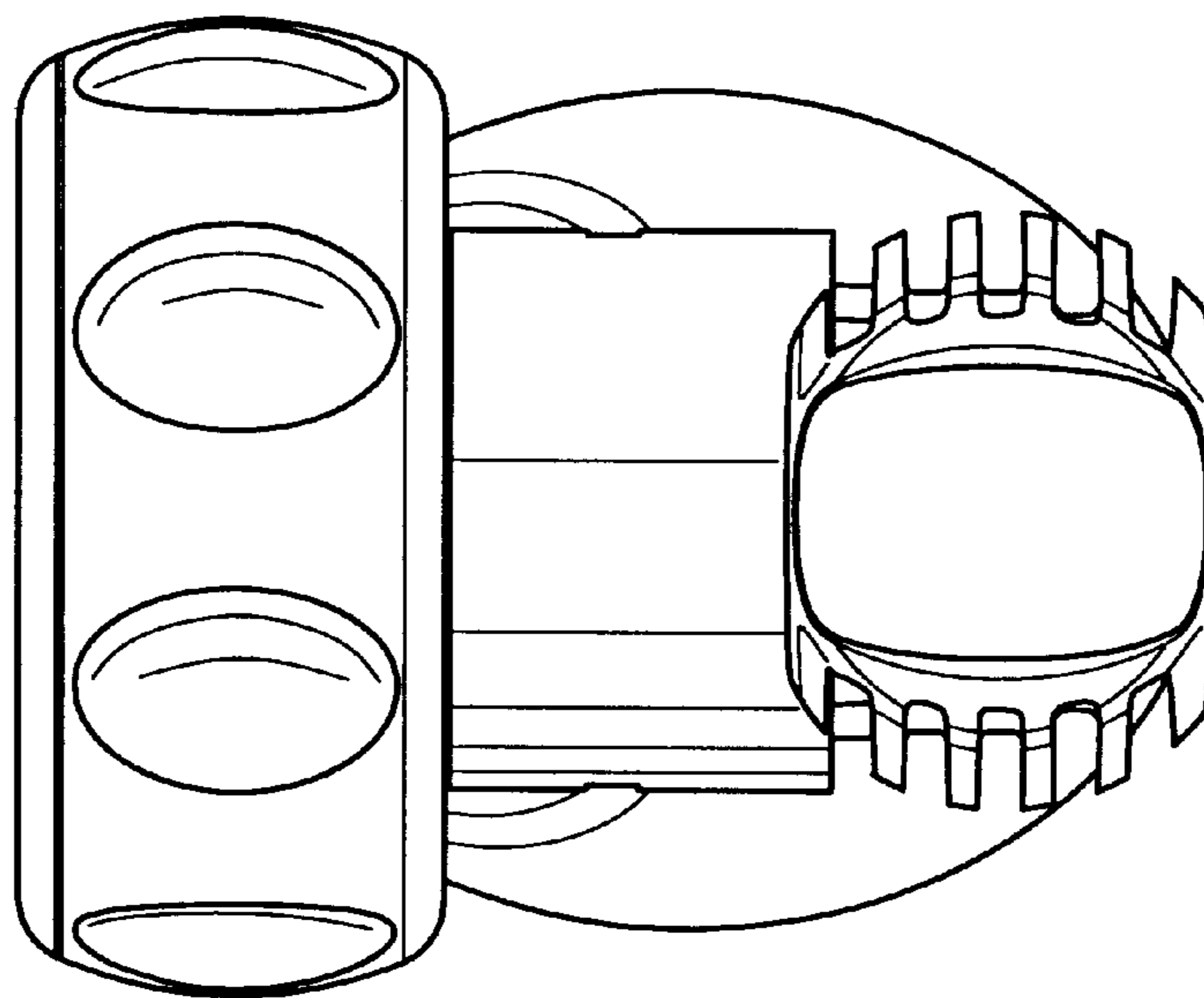


FIG. 5

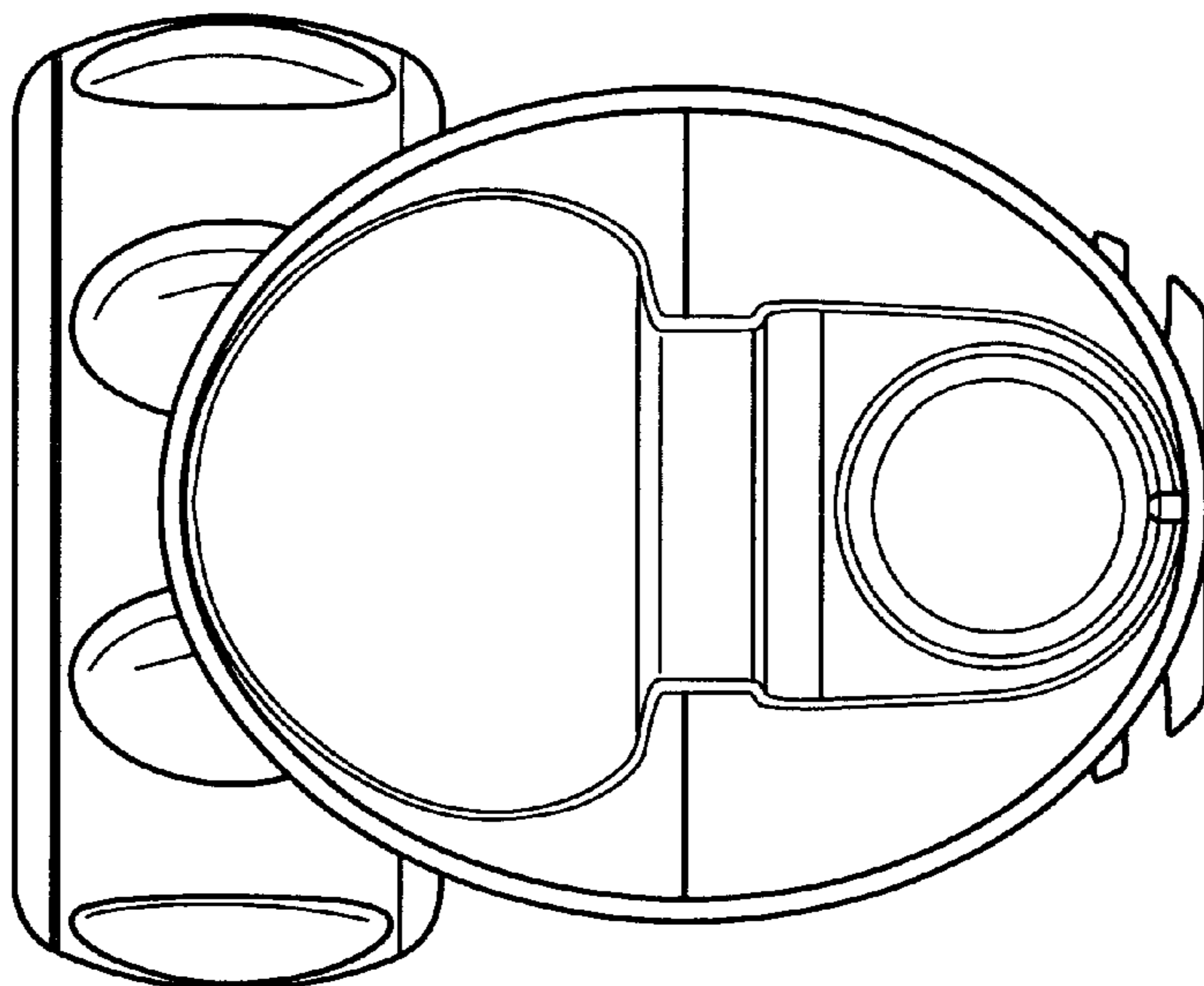


FIG. 6