



US00D537937S

(12) **United States Design Patent**
Tsai

(10) **Patent No.:** **US D537,937 S**

(45) **Date of Patent:** **** Mar. 6, 2007**

(54) **COLON HYDROTHERAPEUTIC APPARATUS**

6,228,048 B1 * 5/2001 Robbins 604/31
RE38,690 E * 2/2005 Moon 4/420.1

(76) Inventor: **Lung Sheng Tsai**, 7F., No. 927,
Jhongjheng Rd., Taoyuan City, Taoyuan
County 330 (TW)

* cited by examiner

(**) Term: **14 Years**

Primary Examiner—Ian Simmons

Assistant Examiner—W. Laymon

(74) *Attorney, Agent, or Firm*—Troxell Law Office, PLLC

(21) Appl. No.: **29/241,223**

(57) **CLAIM**

(22) Filed: **Oct. 26, 2005**

The ornamental design for a colon hydrotherapeutic apparatus, as shown and described.

(51) **LOC (8) Cl.** **24-02**

(52) **U.S. Cl.** **D24/111; D14/111; D14/108**

(58) **Field of Classification Search** D24/111,
D24/204, 112, 201, 205, 135, 108; 4/420.1,
4/579, 541.3, 590; 128/750, 774, 66, 65;
600/224, 184, 208, 114, 235; 601/157, 166;
604/275, 514, 276, 227, 39, 27; D15/7, 9
See application file for complete search history.

DESCRIPTION

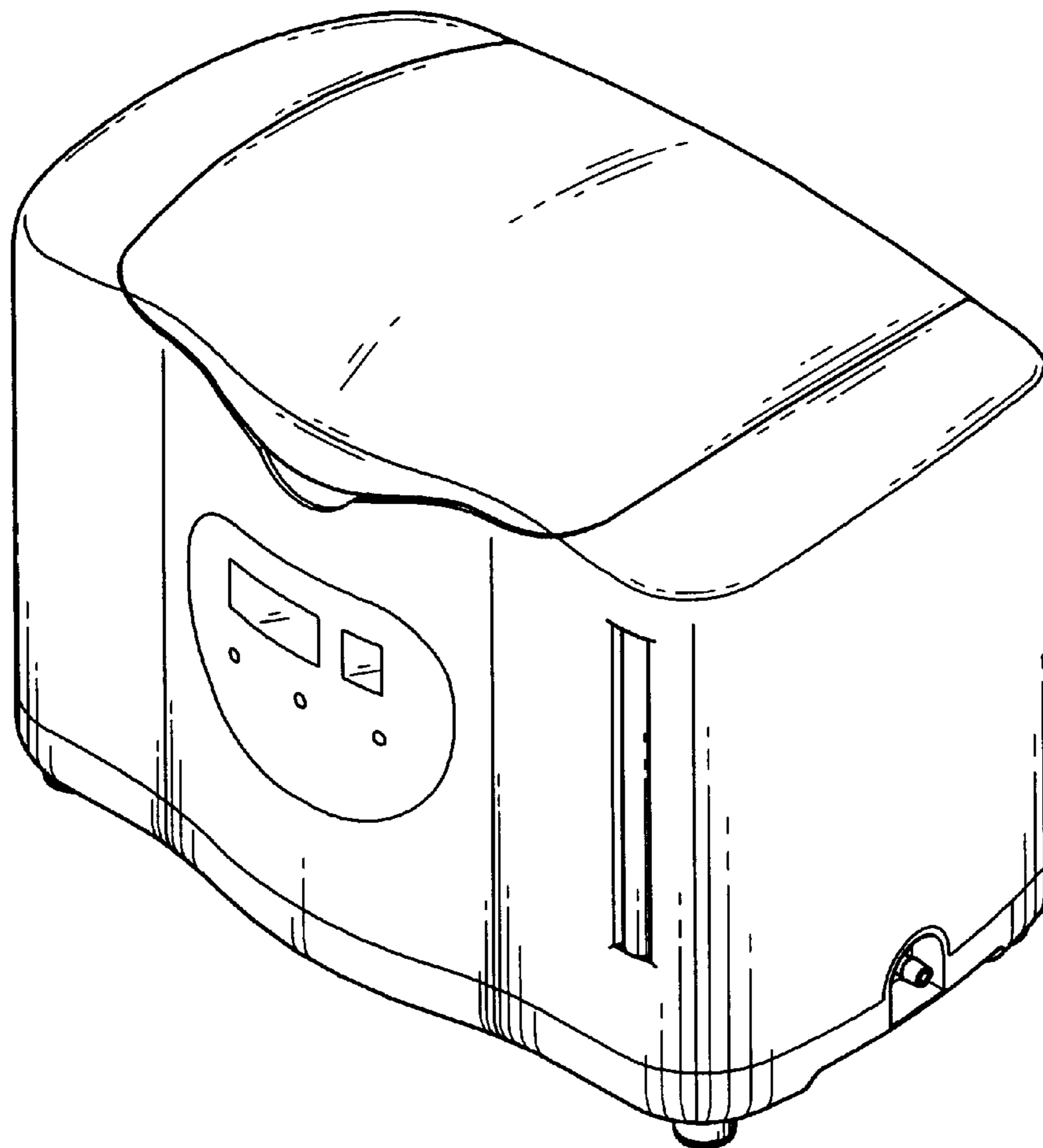
FIG. 1 is a perspective view of a colon hydrotherapeutic apparatus showing my new design;
FIG. 2 is a front elevational view thereof;
FIG. 3 is a rear elevational view thereof;
FIG. 4 is a left side elevational view thereof;
FIG. 5 is a right side elevational view thereof;
FIG. 6 is a top plan view thereof;
FIG. 7 is a bottom plan view thereof; and,
FIG. 8 is a perspective view thereof, with the lip shown in open condition.

(56) **References Cited**

U.S. PATENT DOCUMENTS

5,860,916 A * 1/1999 Pylant 600/208
5,946,741 A * 9/1999 Moon 4/420.1

1 Claim, 8 Drawing Sheets



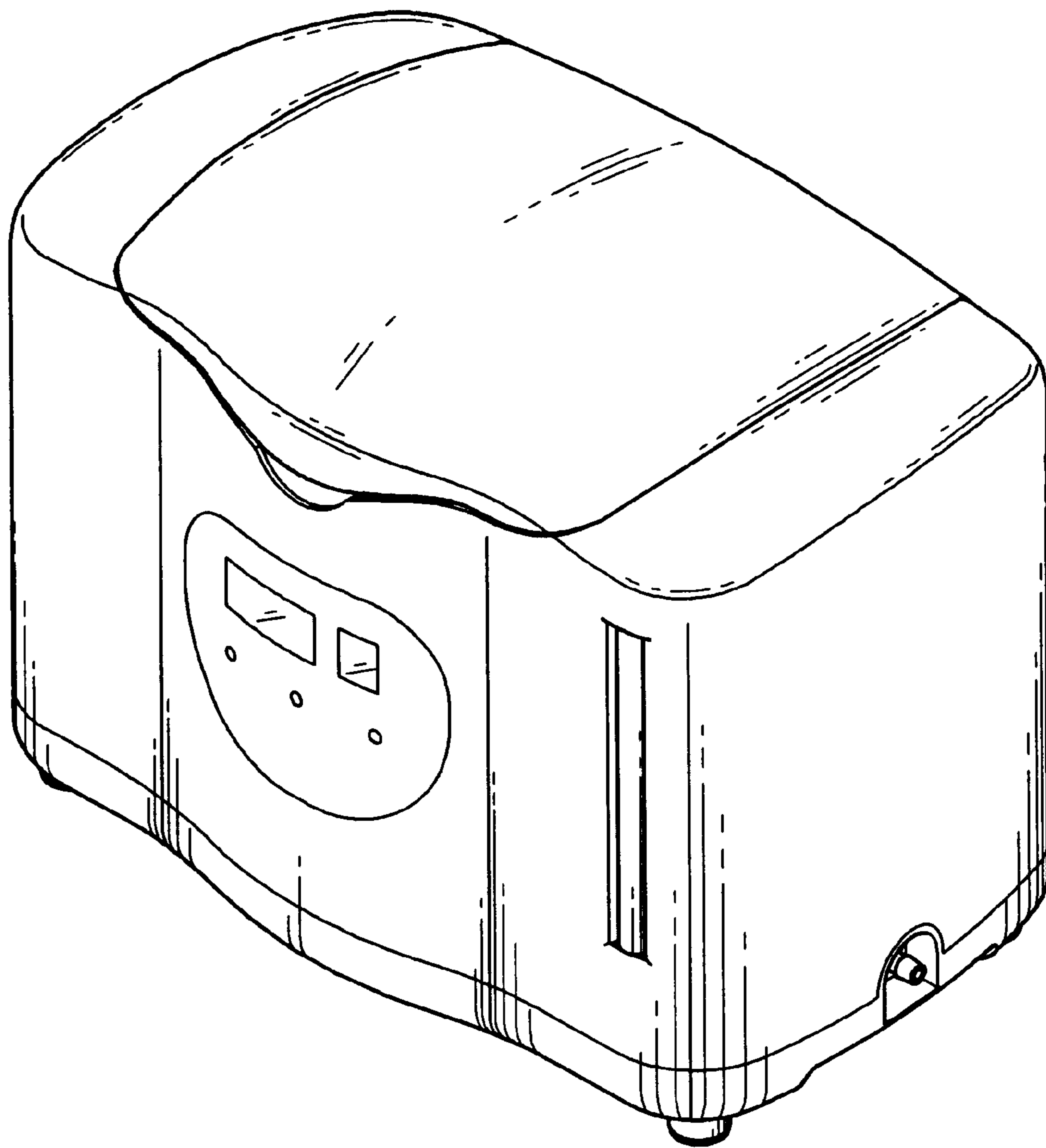


Fig. 1

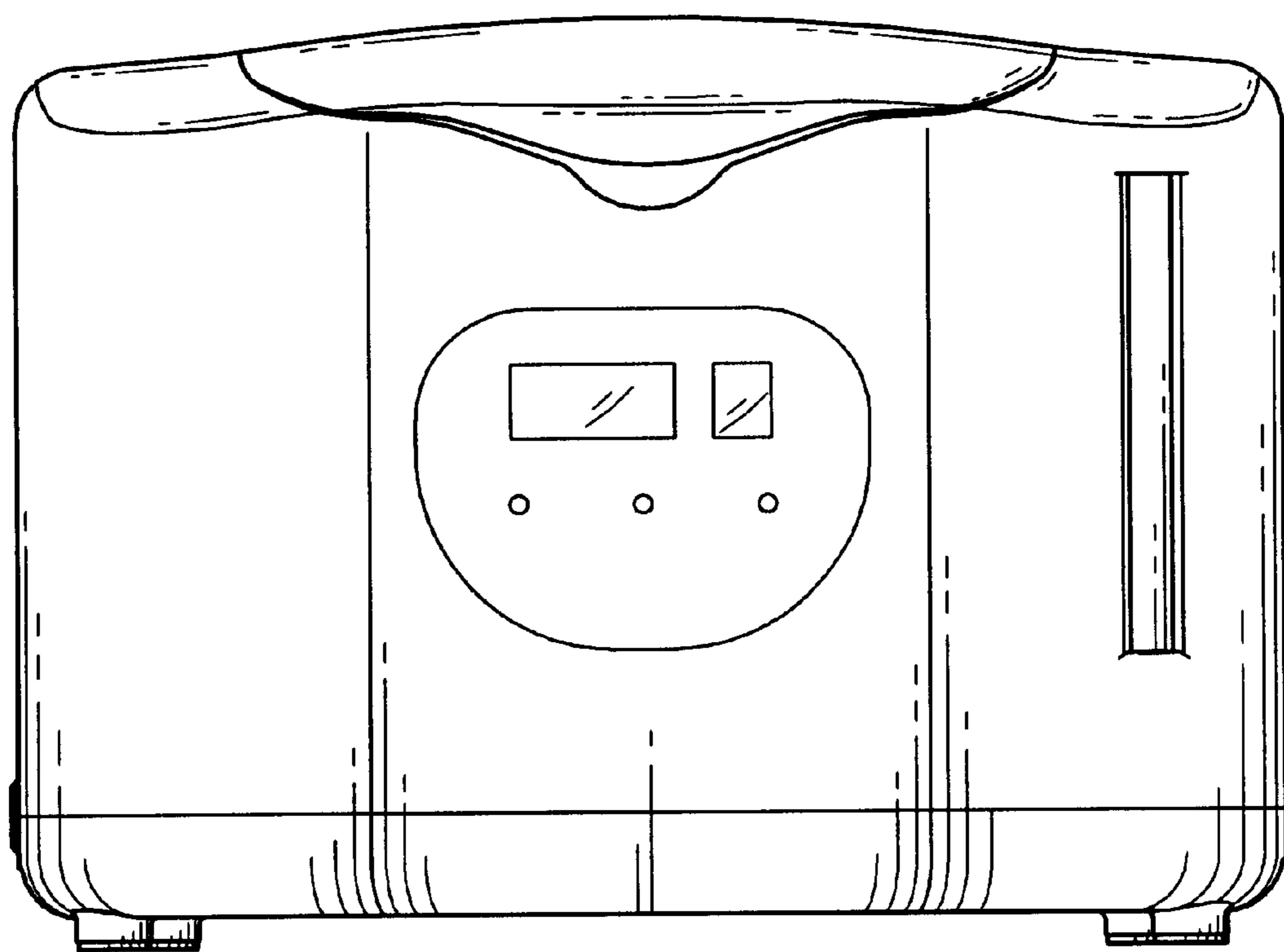


Fig.2

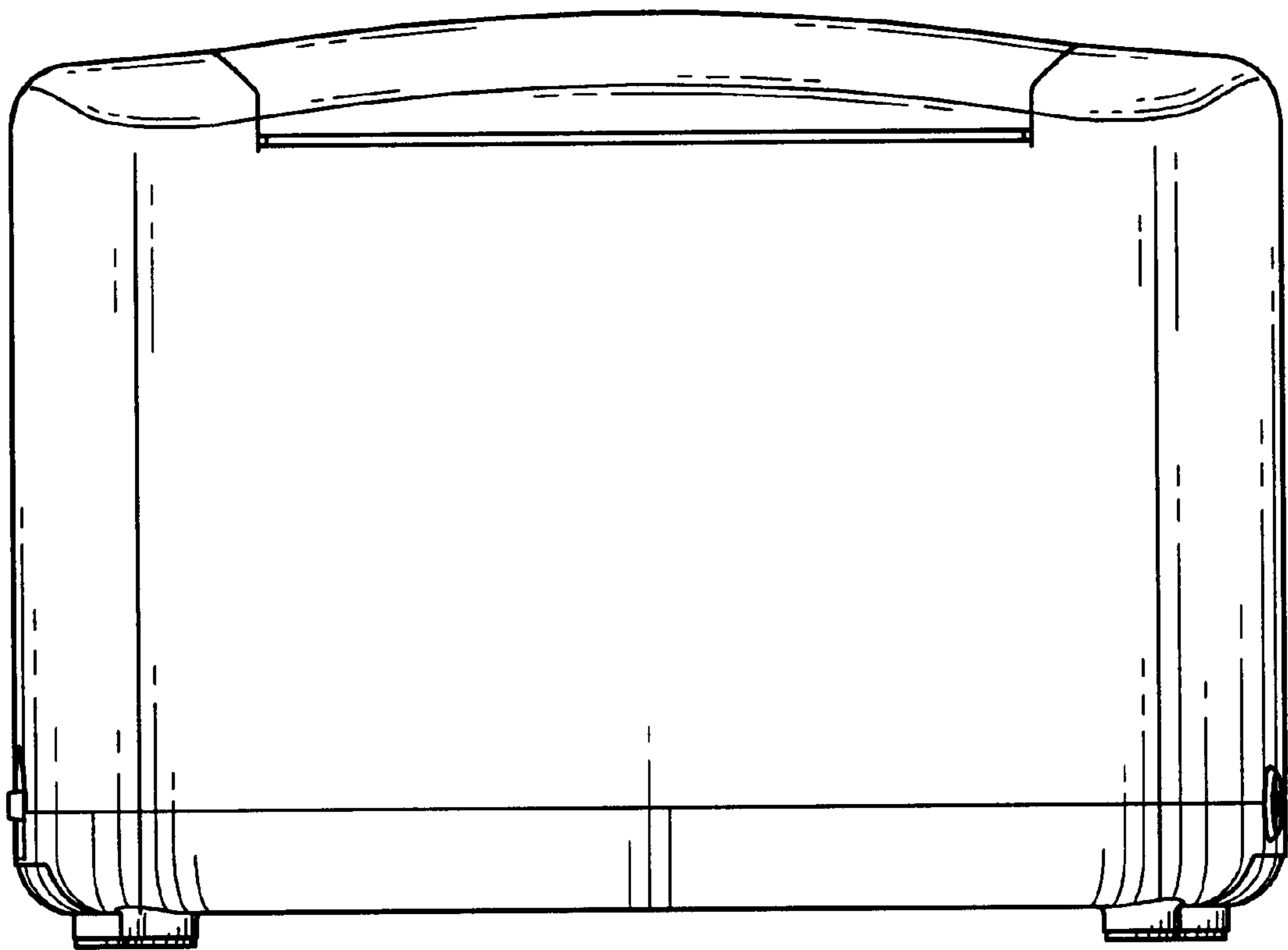


Fig.3

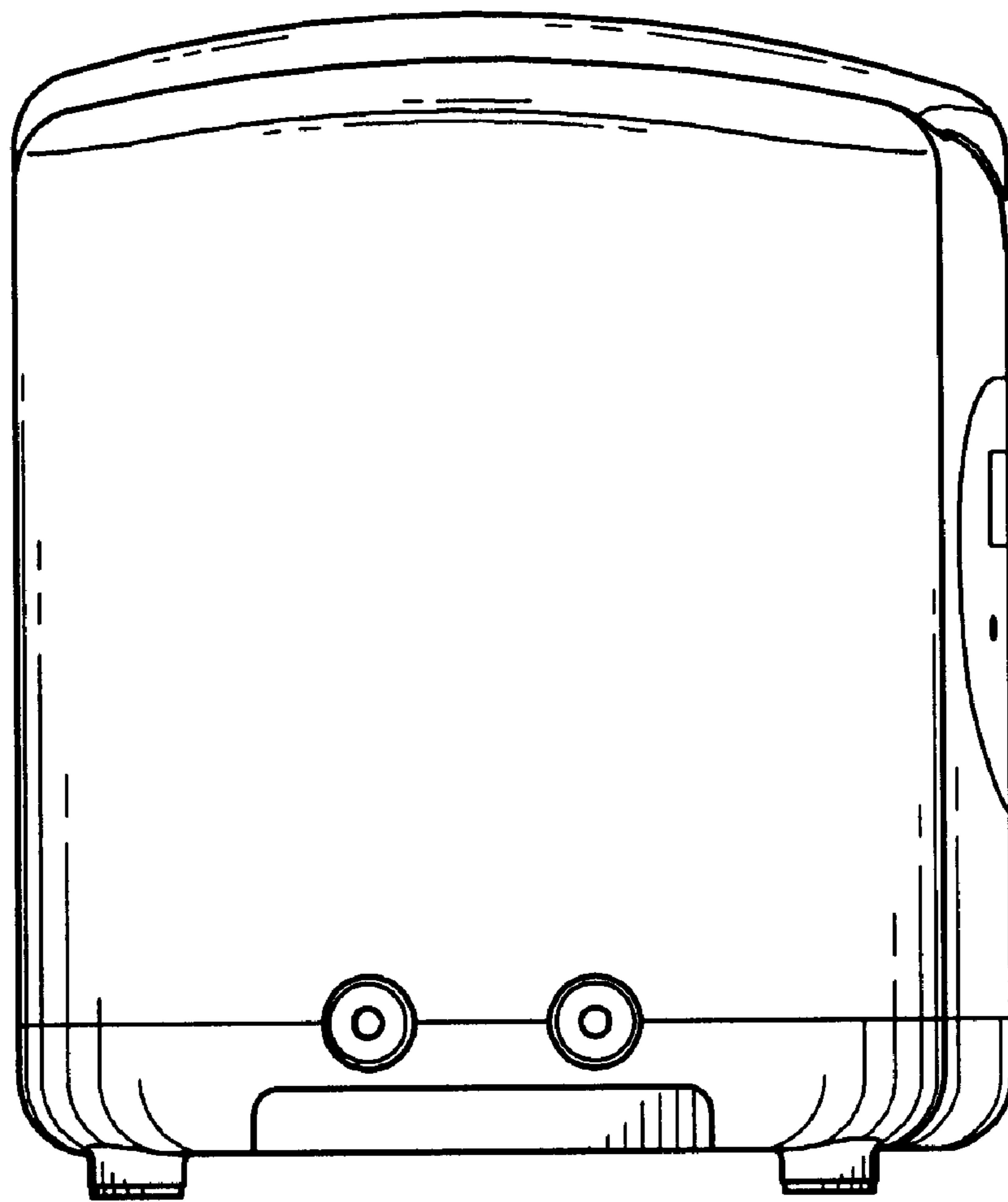


Fig.4

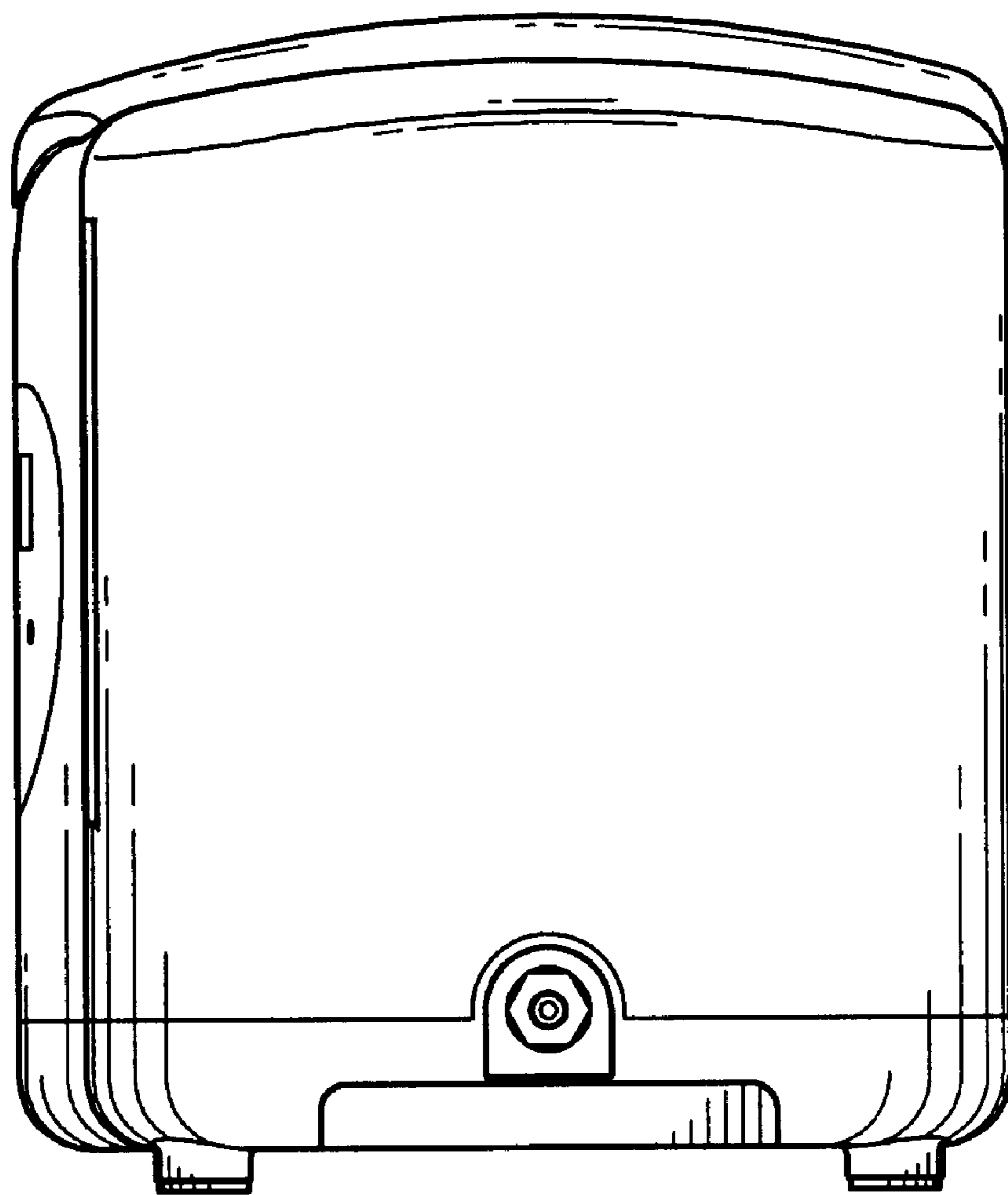


Fig. 5

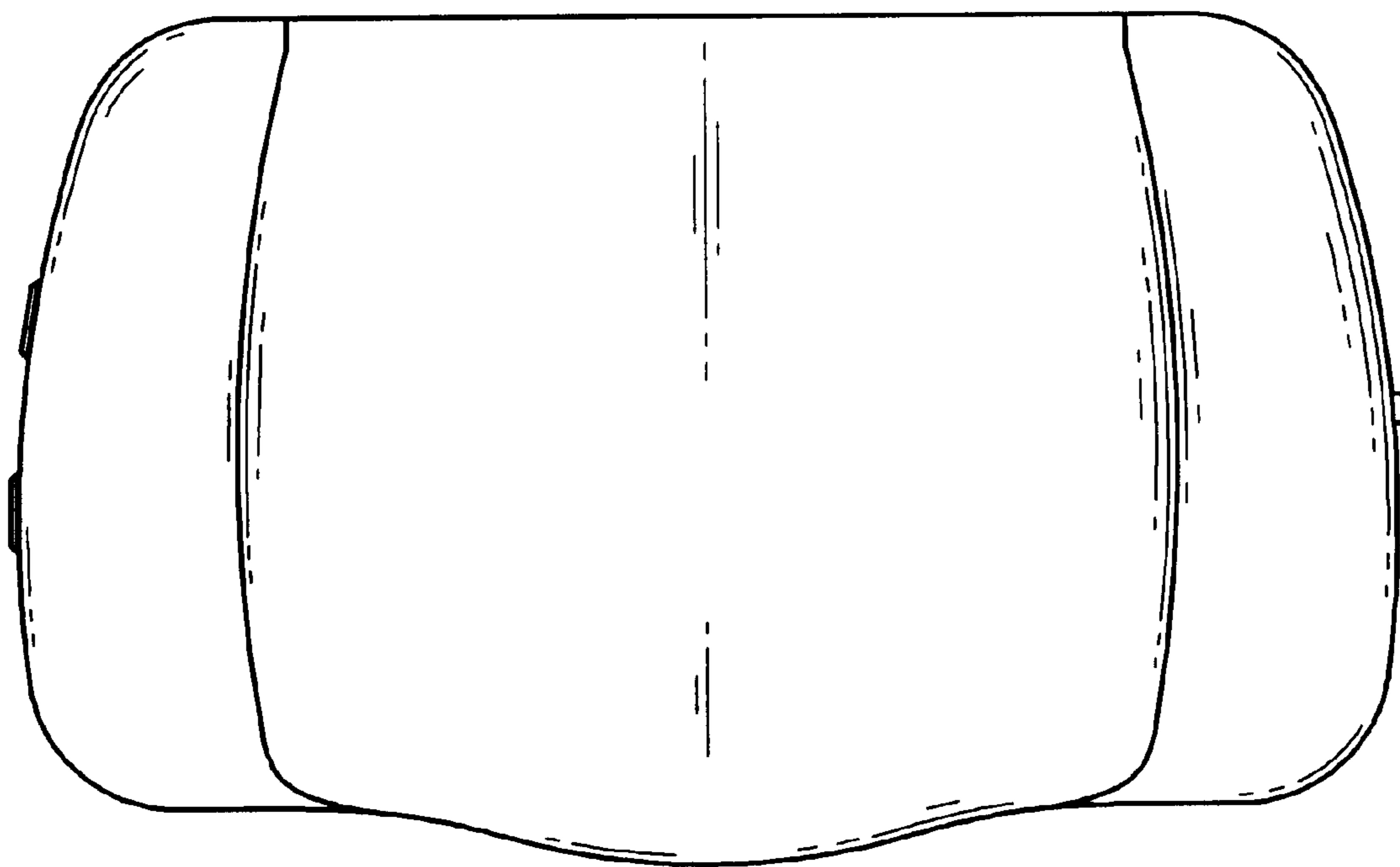


Fig.6

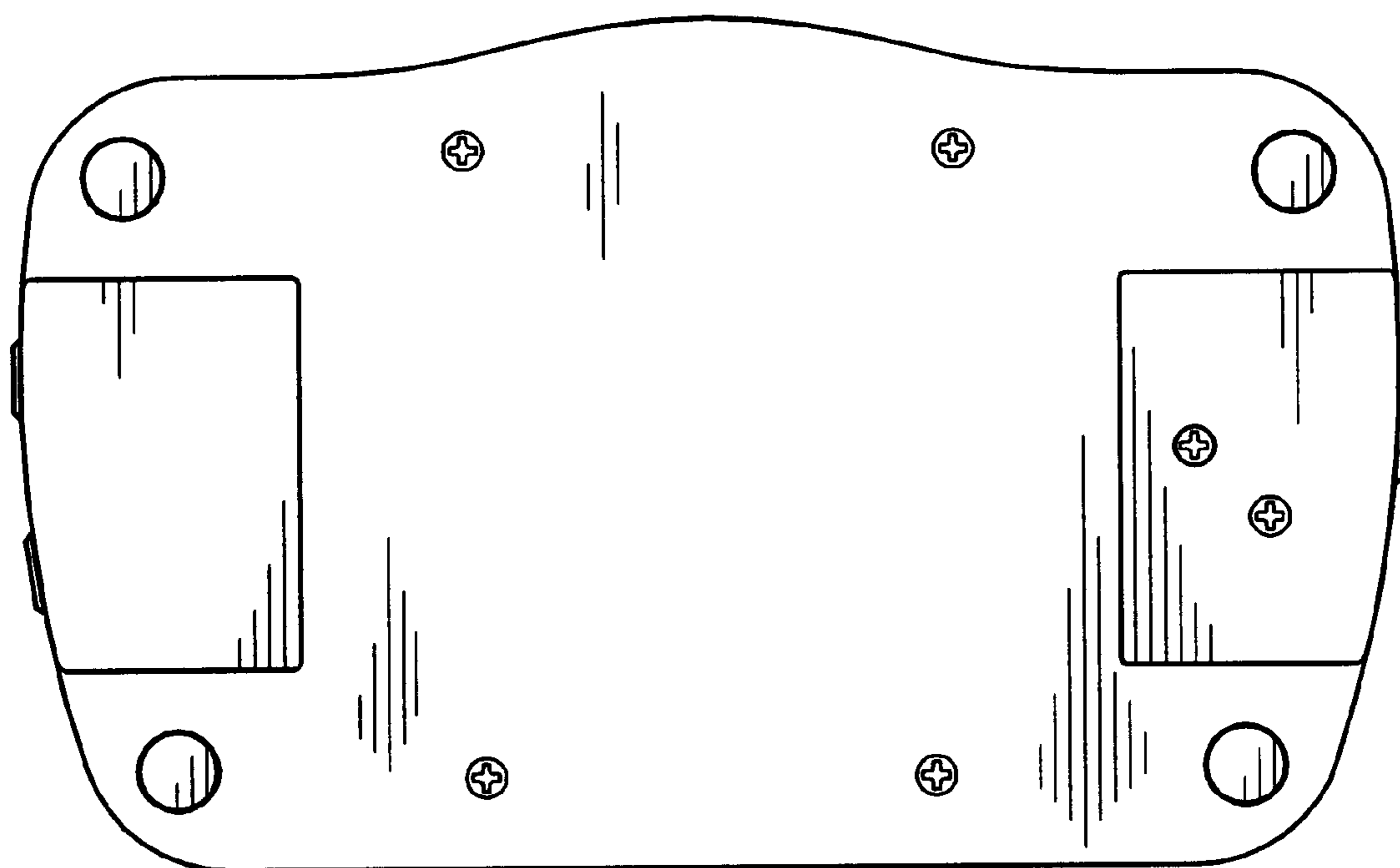


Fig. 7

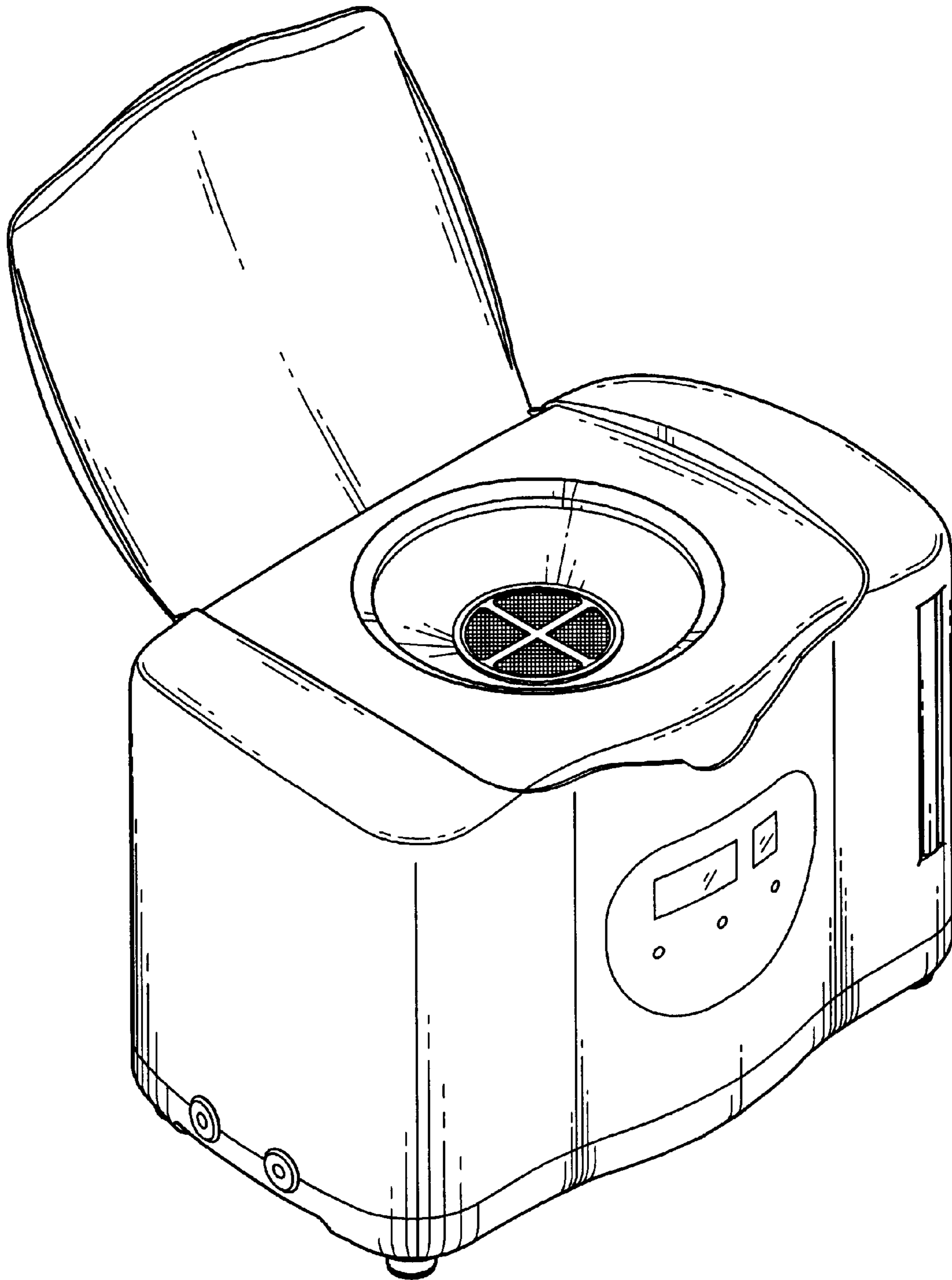


Fig.8