



US00D537936S

(12) **United States Design Patent**  
**Cox et al.**

(10) **Patent No.:** **US D537,936 S**

(45) **Date of Patent:** **\*\* Mar. 6, 2007**

(54) **CAP WITH AN EXTENSION,  
PARTICULARLY FOR A DUST CAP OF A  
METERED DOSE INHALER**

(75) Inventors: **Mark Anthony Cox**, Ware (GB); **Allen  
John Pearson**, Huntingdon (GB); **Paul  
Kenneth Rand**, Ware (GB)

(73) Assignee: **Glaxo Group Limited**, Greenford (GB)

(\*\*) Term: **14 Years**

(21) Appl. No.: **29/225,112**

(22) Filed: **Mar. 11, 2005**

(30) **Foreign Application Priority Data**

Sep. 15, 2004 (GB) ..... 3018741

(51) **LOC (8) Cl.** ..... **29-02**

(52) **U.S. Cl.** ..... **D24/110**

(58) **Field of Classification Search** ..... D24/110;  
128/203.22, 203.15, 203.21, 203.23, 200.14,  
128/200.23

See application file for complete search history.

(56) **References Cited**

**U.S. PATENT DOCUMENTS**

5,899,200 A \* 5/1999 McNary ..... 128/200.14  
6,672,304 B1 \* 1/2004 Casper et al. .... 128/200.23  
7,047,967 B2 \* 5/2006 Knudsen ..... 128/202.22

D529,605 S \* 10/2006 Huxham et al. .... D24/110

\* cited by examiner

*Primary Examiner*—Antoine D. Davis

*Assistant Examiner*—Christopher Lee

(74) *Attorney, Agent, or Firm*—James P. Riek

(57) **CLAIM**

The ornamental design for a cap with an extension, particularly for a dust cap of a metered dose inhaler, as shown and described.

**DESCRIPTION**

FIG. 1 is a front perspective view of a first cap with an extension, as shown and described;

FIG. 2 is a rear view of the cap shown in FIG. 1;

FIG. 3 is an underneath plan view of the cap shown in FIG. 1;

FIG. 4 is a front view of the cap shown in FIG. 1;

FIG. 5 is a plan view of the cap shown in FIG. 1;

FIG. 6 is a side view of the cap shown in FIG. 1;

FIG. 7 is a front perspective view of a second cap with an extension, as shown and described;

FIG. 8 is a rear view of the cap shown in FIG. 7;

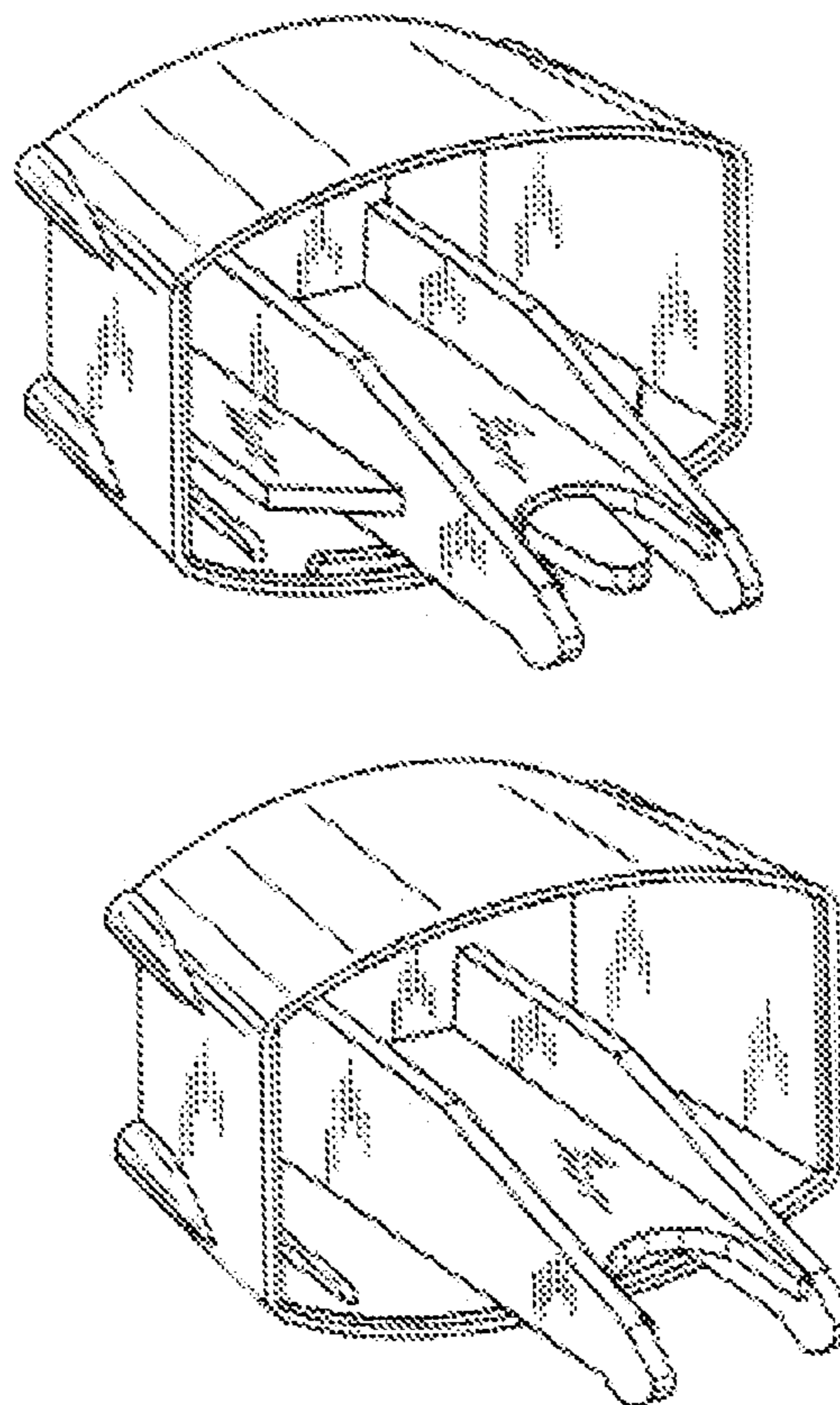
FIG. 9 is an underneath plan view of the cap shown in FIG. 7;

FIG. 10 is a front view of the cap shown in FIG. 7;

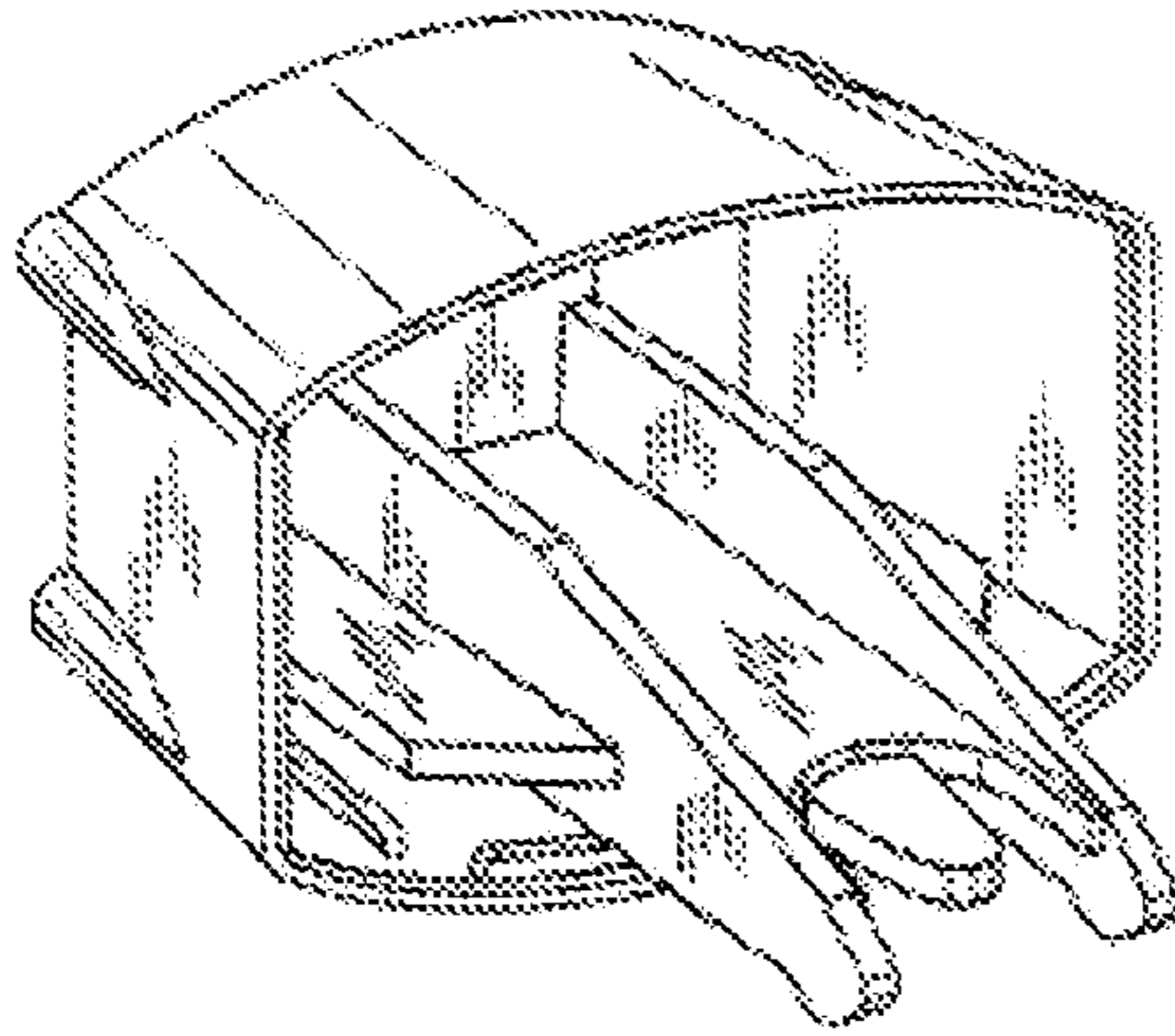
FIG. 11 is a plan view of the cap shown in FIG. 7; and,

FIG. 12 is a side view of the cap shown in FIG. 7.

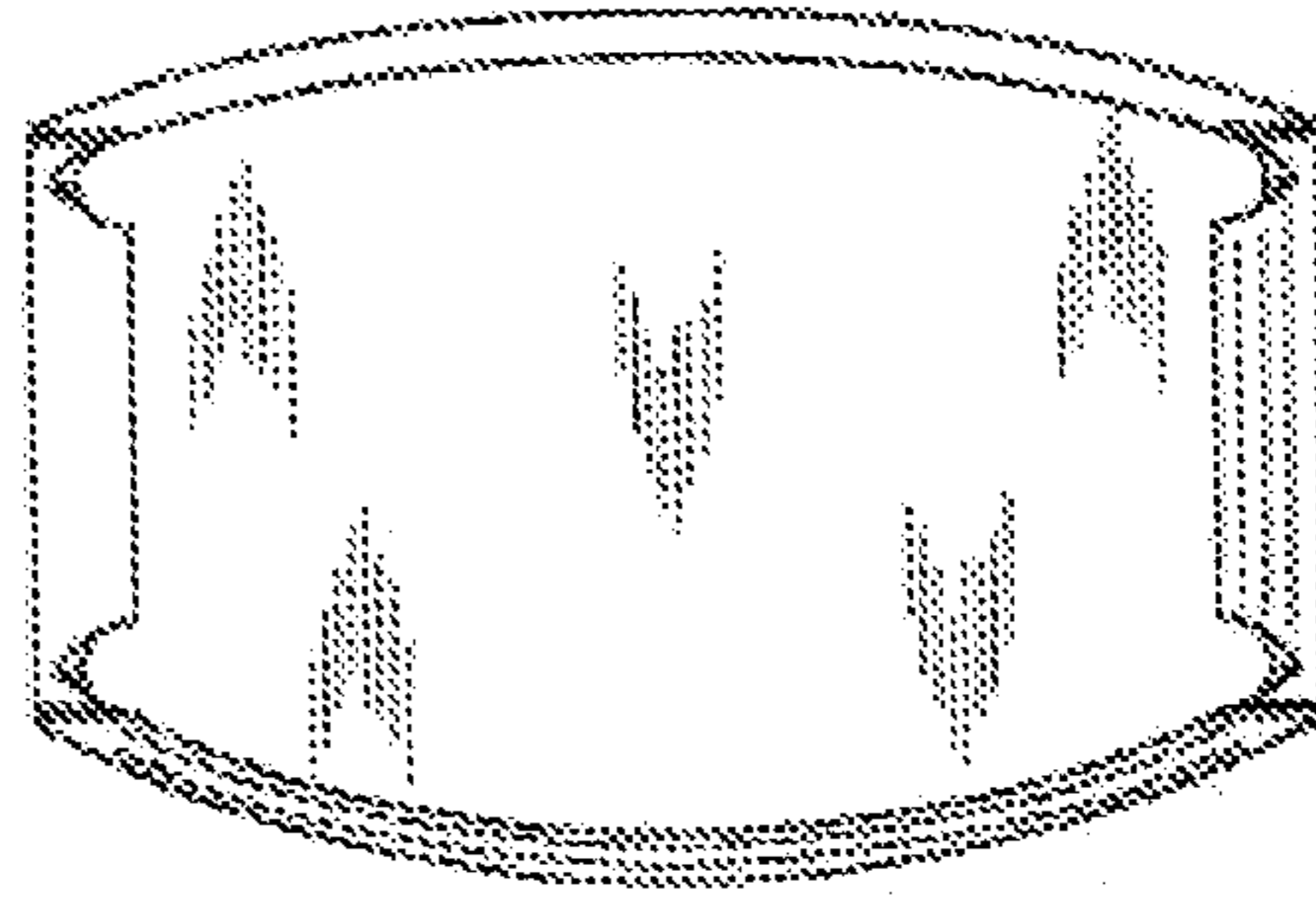
**1 Claim, 2 Drawing Sheets**



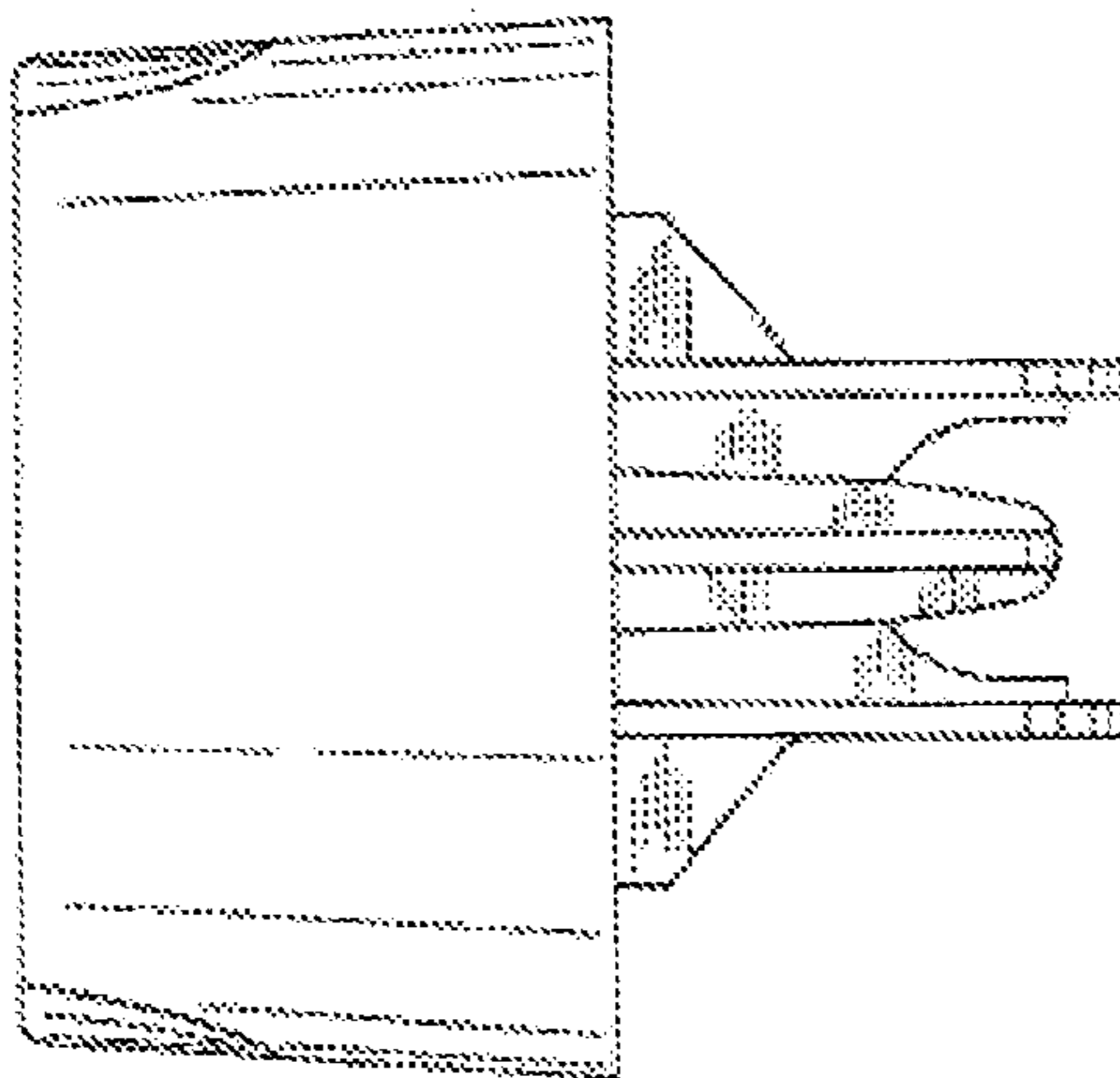
**FIG. 1**



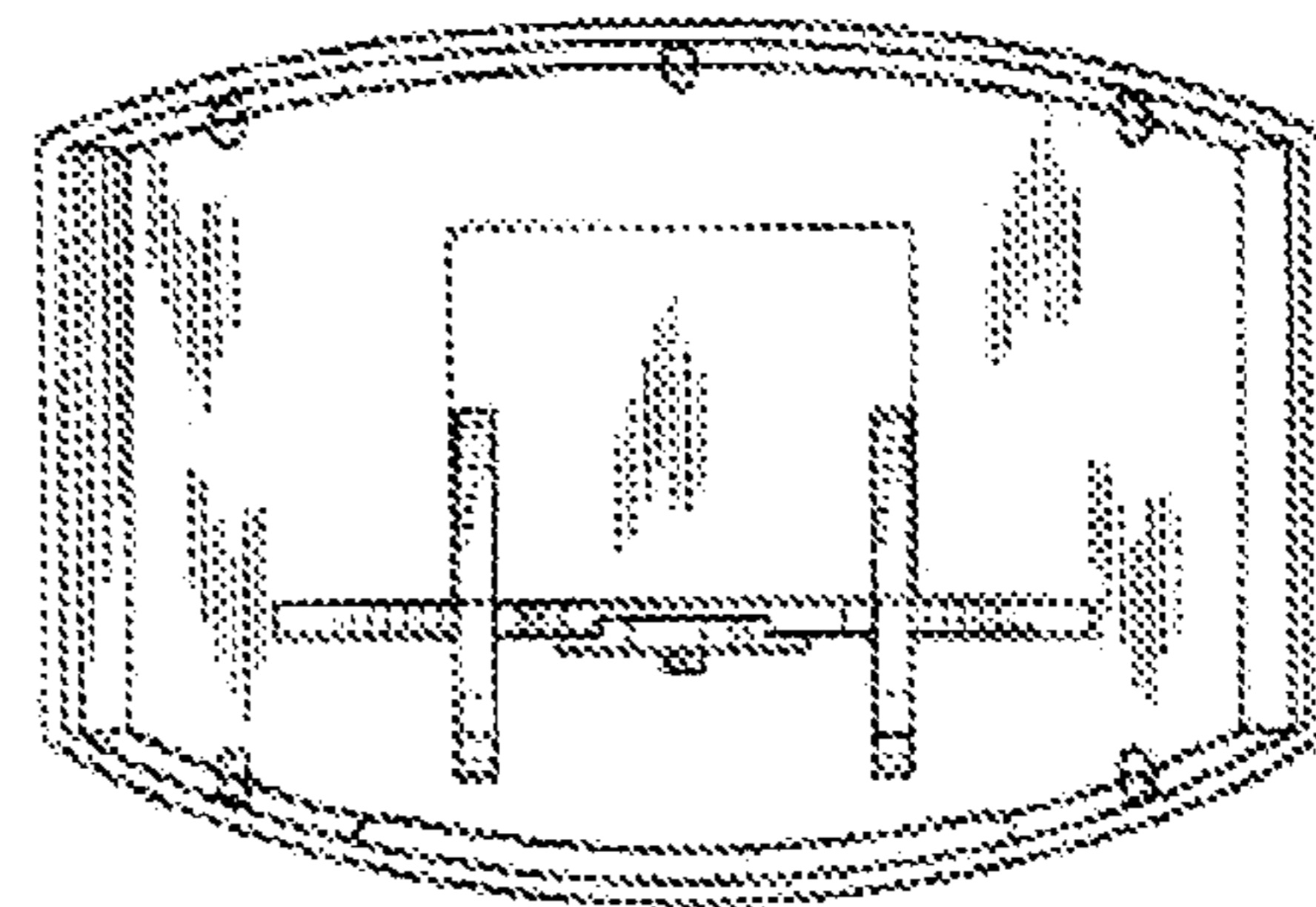
**FIG. 2**



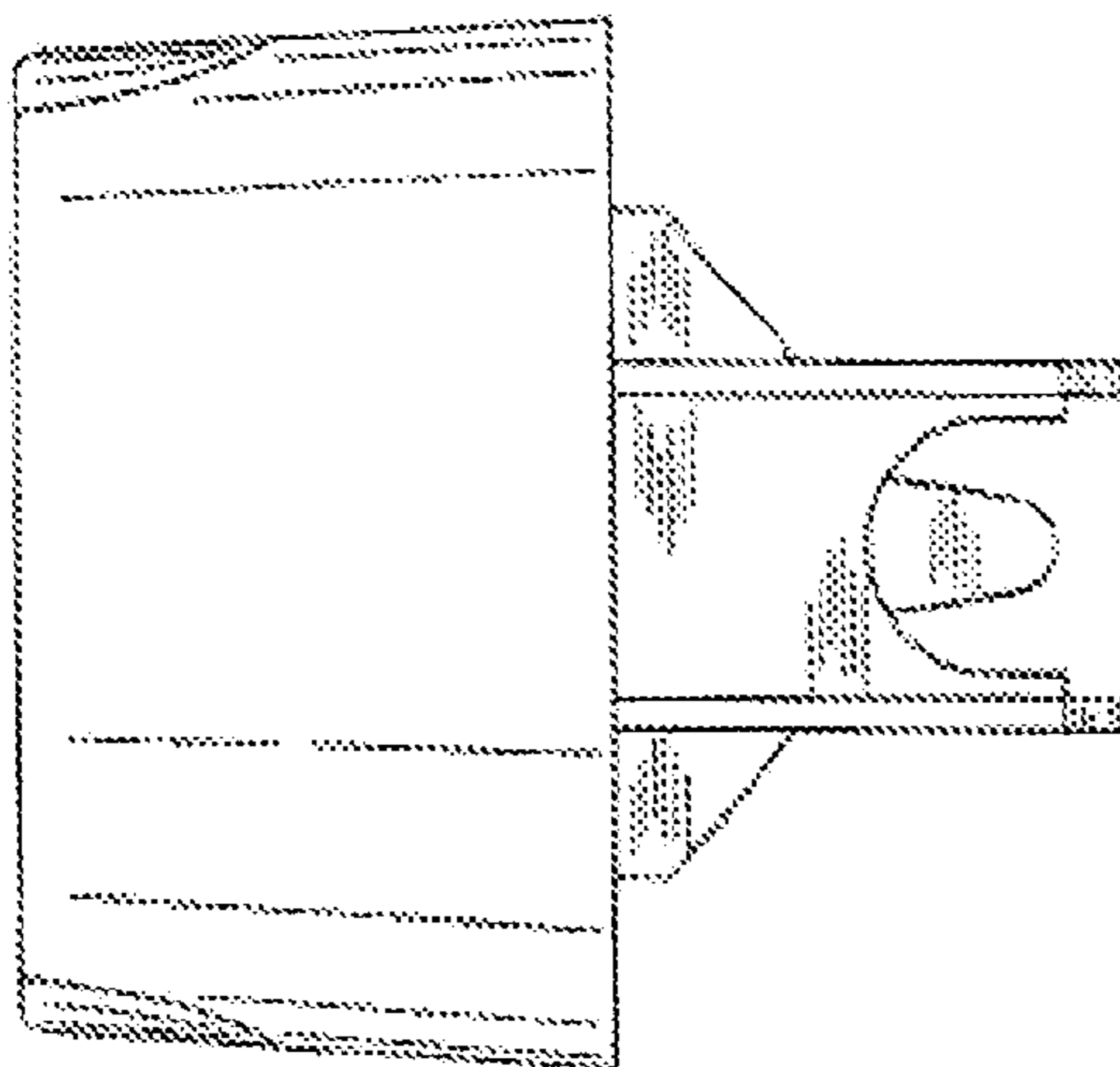
**FIG. 3**



**FIG. 4**



**FIG. 5**



**FIG. 6**

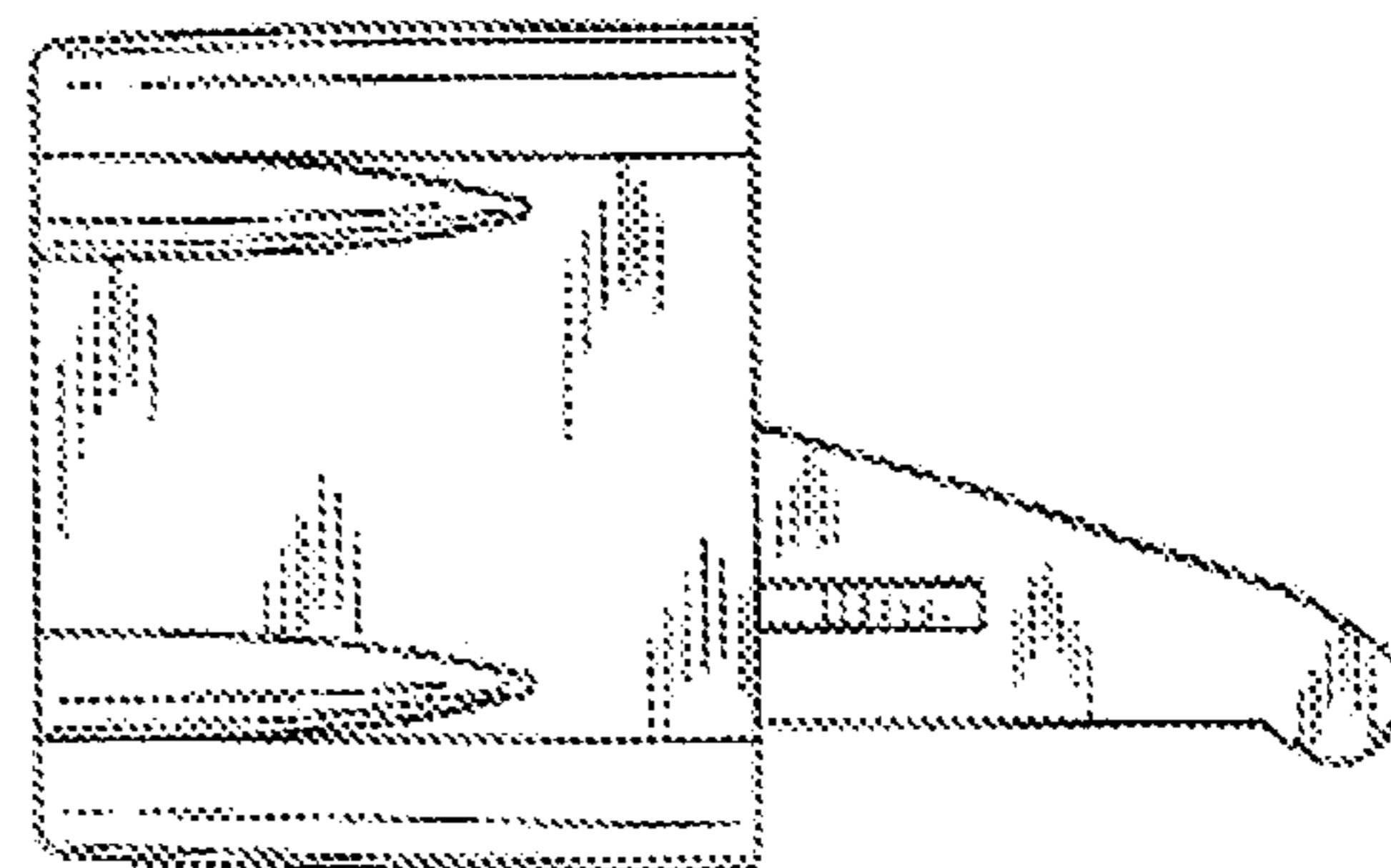


FIG. 7

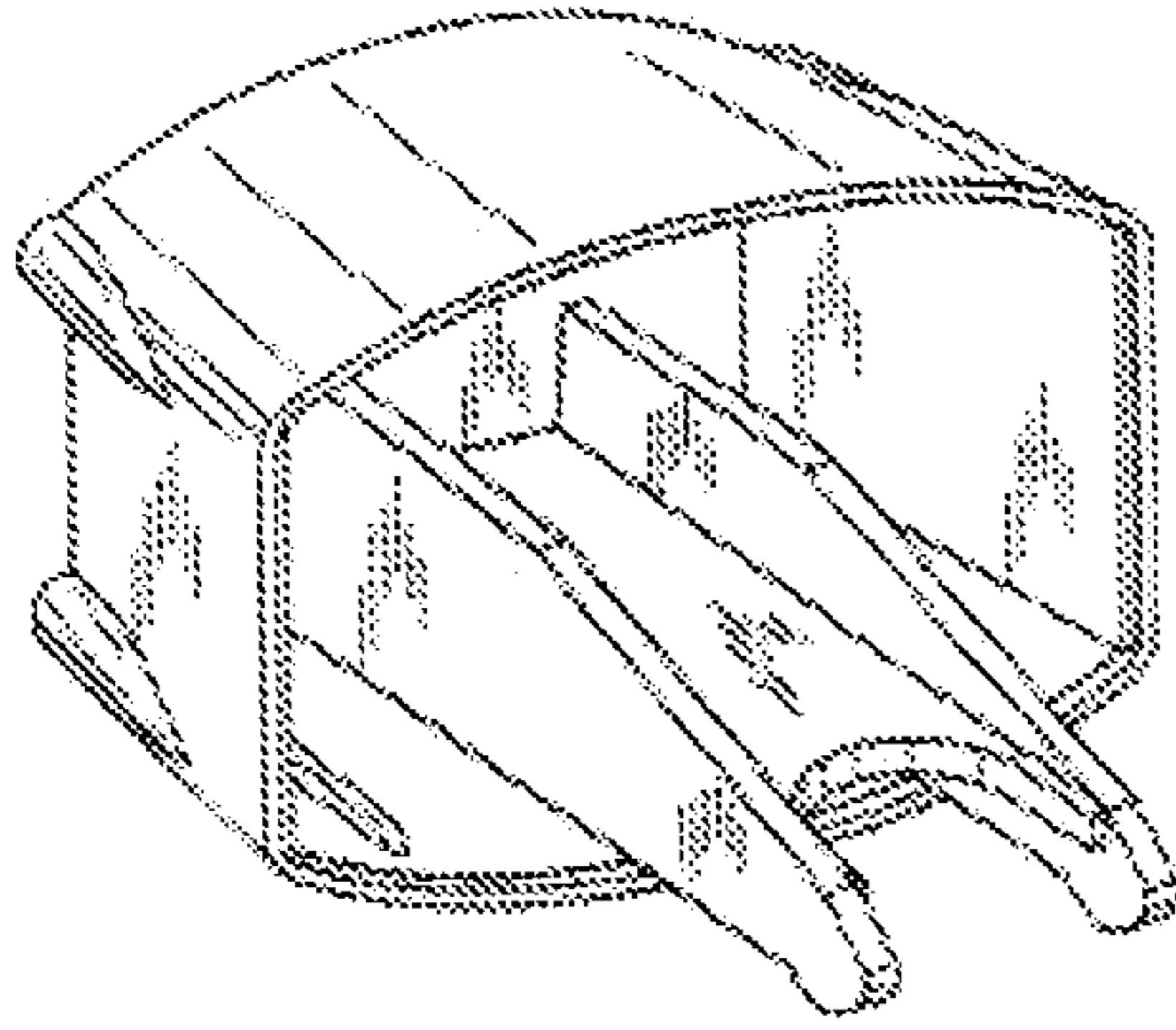


FIG. 8

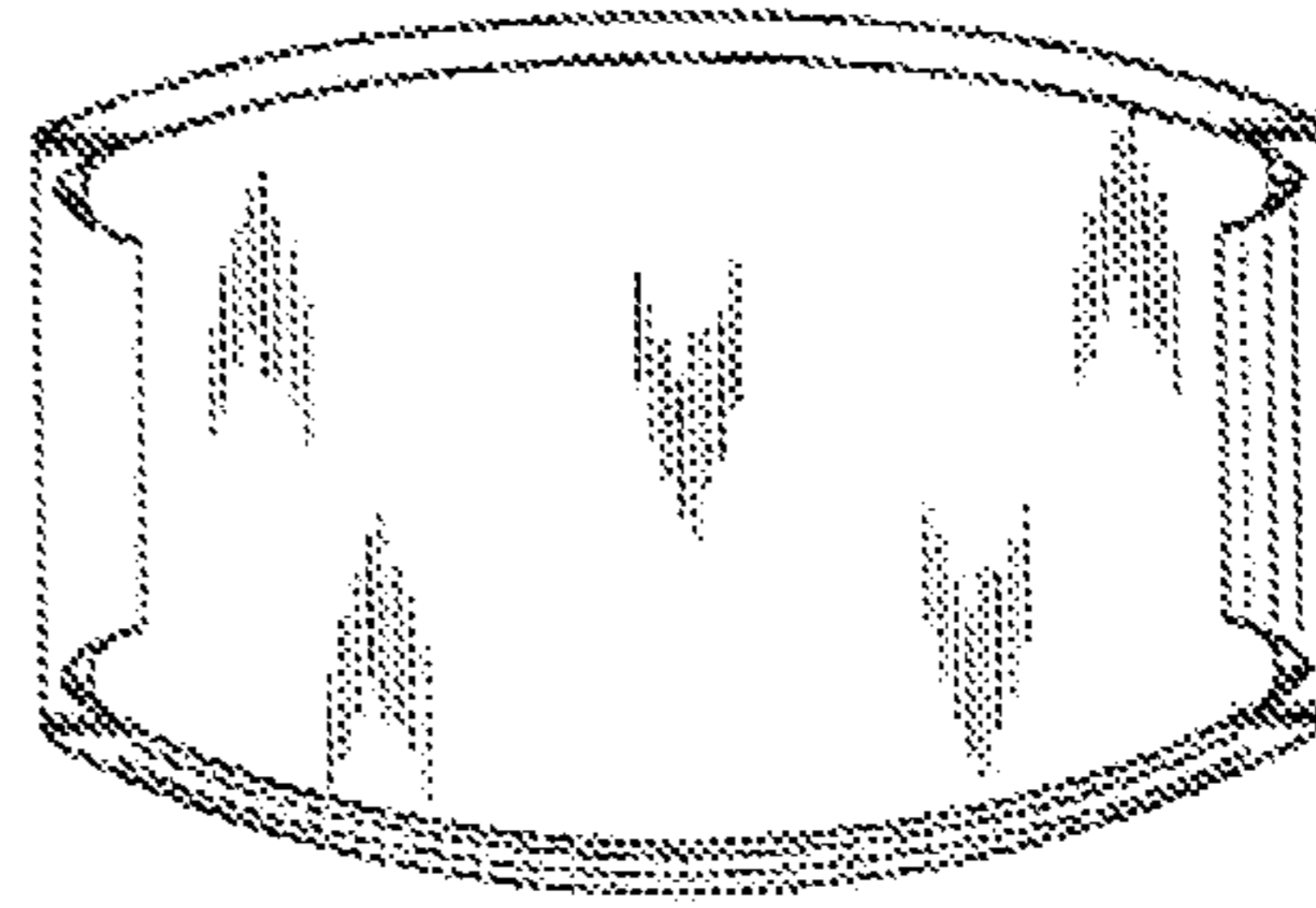


FIG. 9

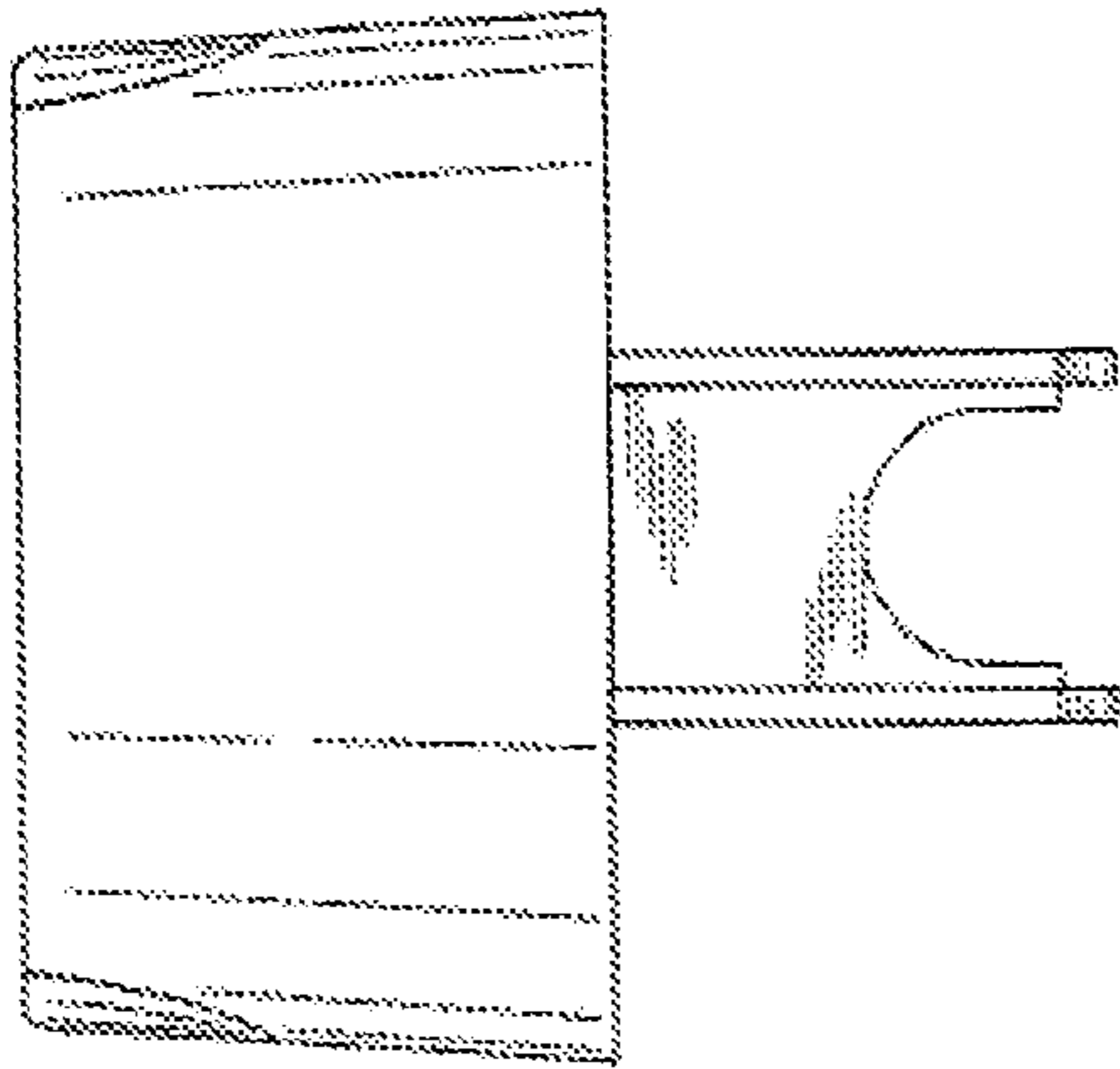


FIG. 10

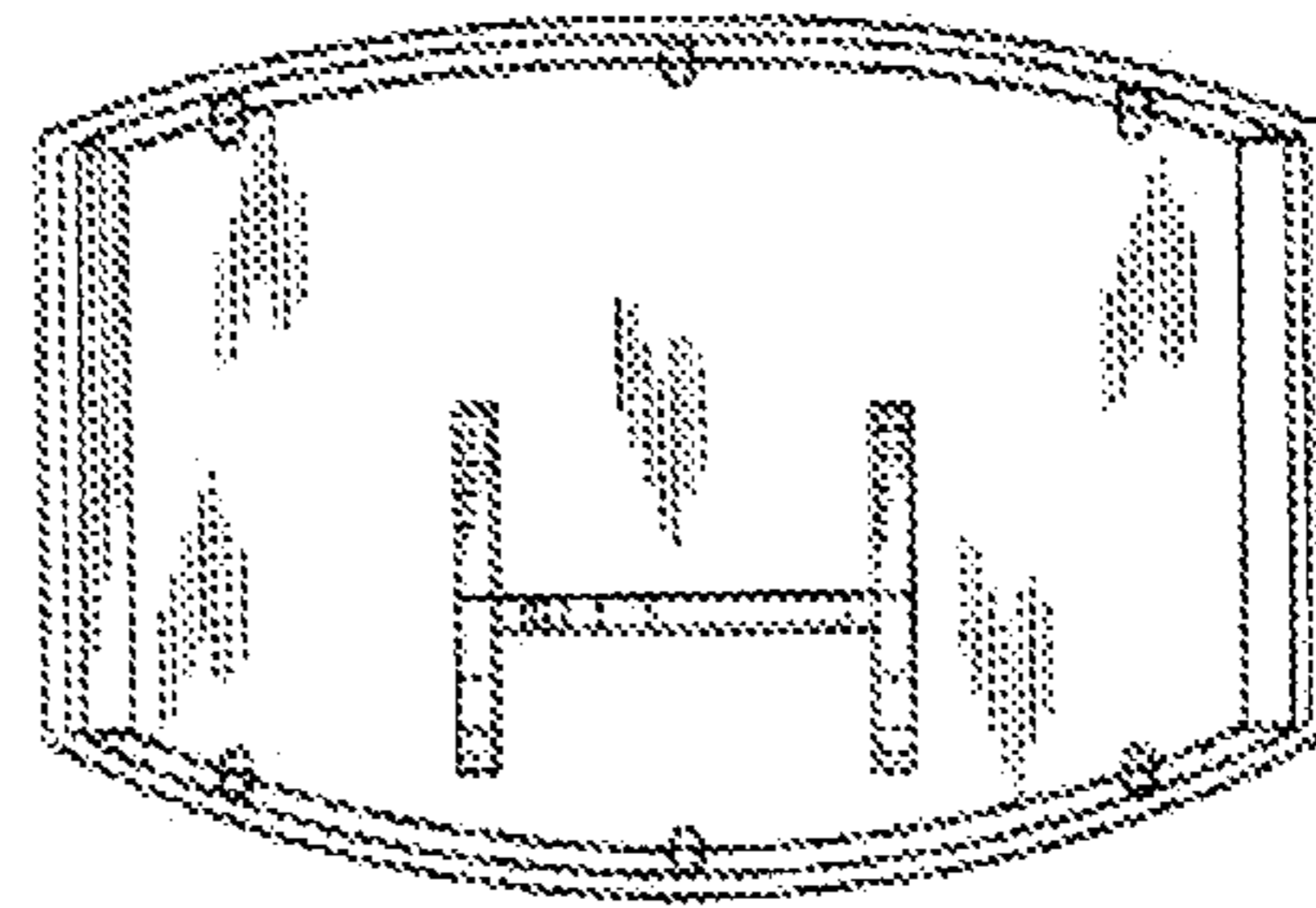


FIG. 11

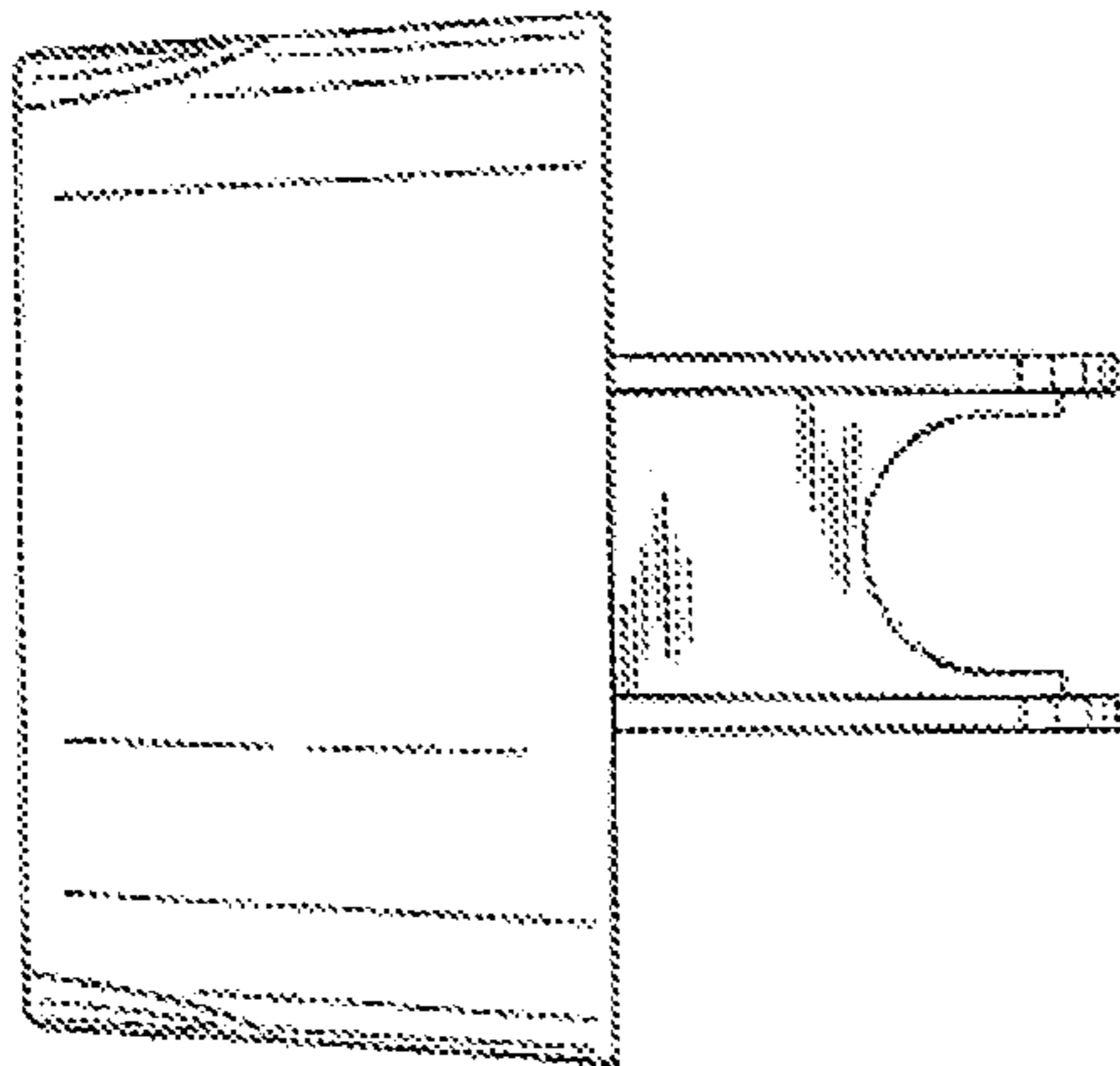


FIG. 12

