



US00D537935S

(12) **United States Design Patent**
Schluter et al.

(10) **Patent No.:** **US D537,935 S**
(45) **Date of Patent:** **** Mar. 6, 2007**

(54) **FAN GRILL**

(75) Inventors: **Robert Schluter**, Kinnelon, NJ (US);
Andreas Pappas, Edison, NJ (US);
Stephen Lazina, Nutley, NJ (US)

(73) Assignee: **Middle Atlantic Products, Inc.**,
Fairfield, NJ (US)

(**) Term: **14 Years**

(21) Appl. No.: **29/243,588**

(22) Filed: **Nov. 28, 2005**

(51) **LOC (8) Cl.** **23-04**

(52) **U.S. Cl.** **D23/412**

(58) **Field of Classification Search** D23/412,
D23/411, 381, 370, 324; 416/246 R, 247 R
See application file for complete search history.

(56) **References Cited**

U.S. PATENT DOCUMENTS

D486,222 S * 2/2004 Shapiro D23/411

* cited by examiner

Primary Examiner—Lisa Lichtenstein
(74) *Attorney, Agent, or Firm*—Drinker Biddle & Reath
LLP

(57) **CLAIM**

The ornamental design for a fan grill, as shown and described.

DESCRIPTION

FIG. 1 is a perspective view of a fan grill according to our new design.

FIG. 2 is a front view thereof.

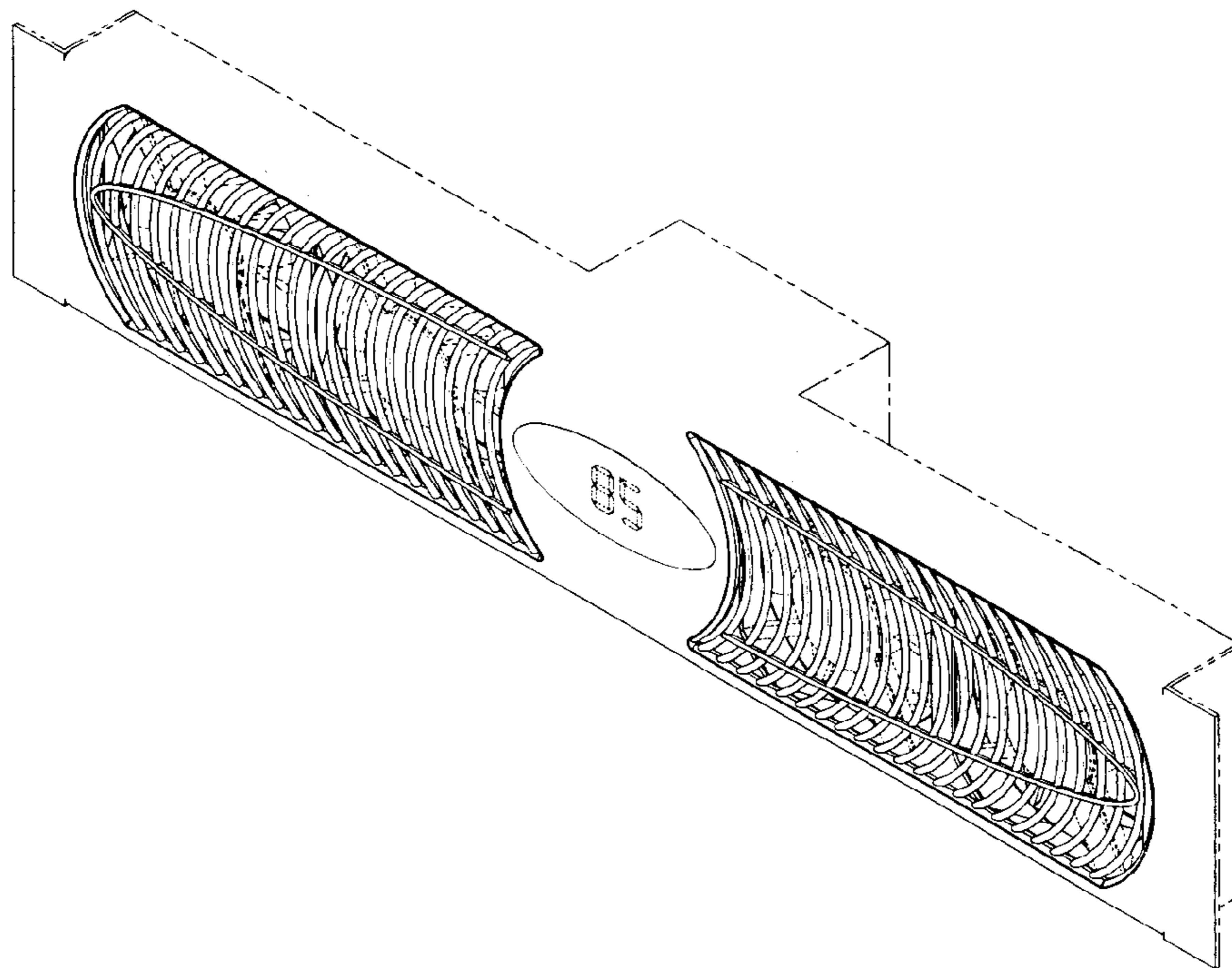
FIG. 3 is a rear view thereof.

FIG. 4 is a top view thereof; and,

FIG. 5 is a right side view thereof, the left side view being a mirror image of the right side view.

The broken line showing of the rear portions of the fan grill is included for the purpose of illustrating environmental structure and forms no part of the claimed design.

1 Claim, 3 Drawing Sheets



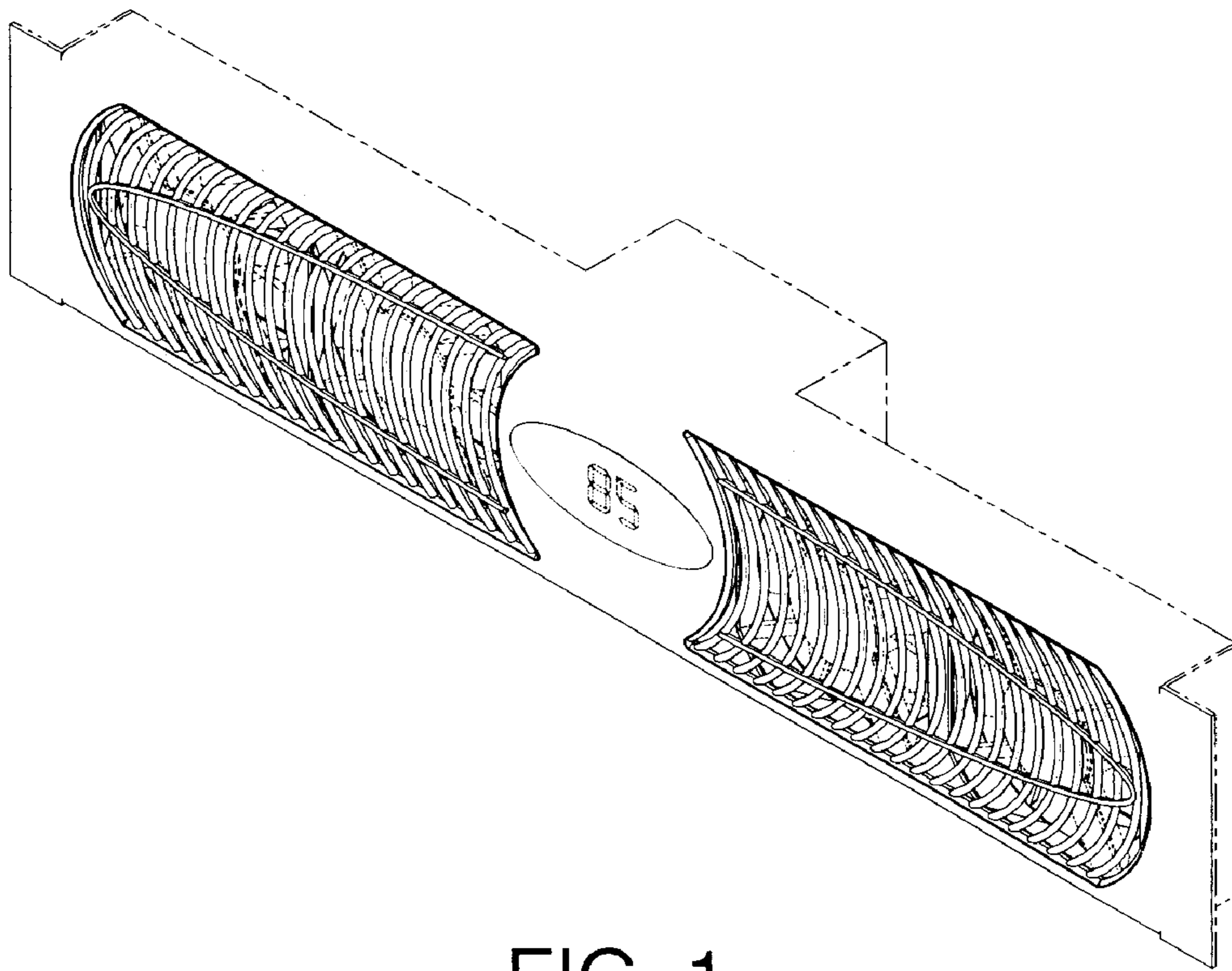


FIG. 1

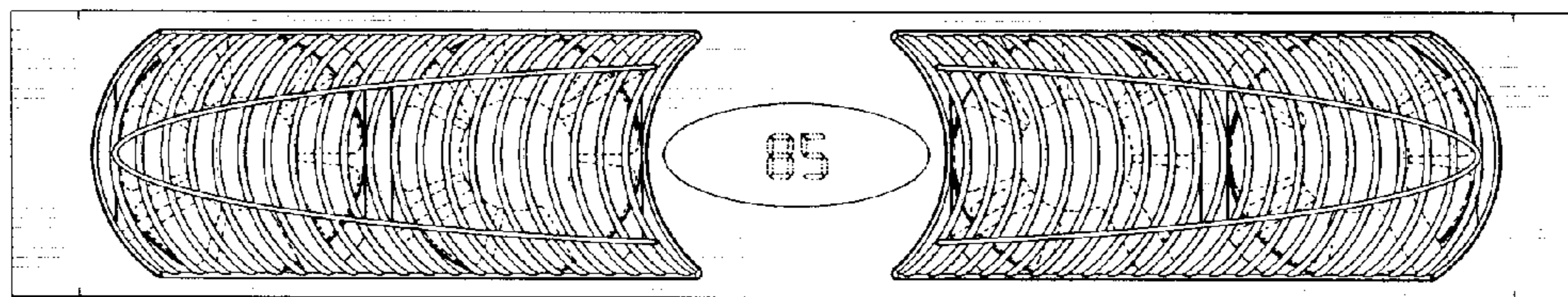


FIG. 2

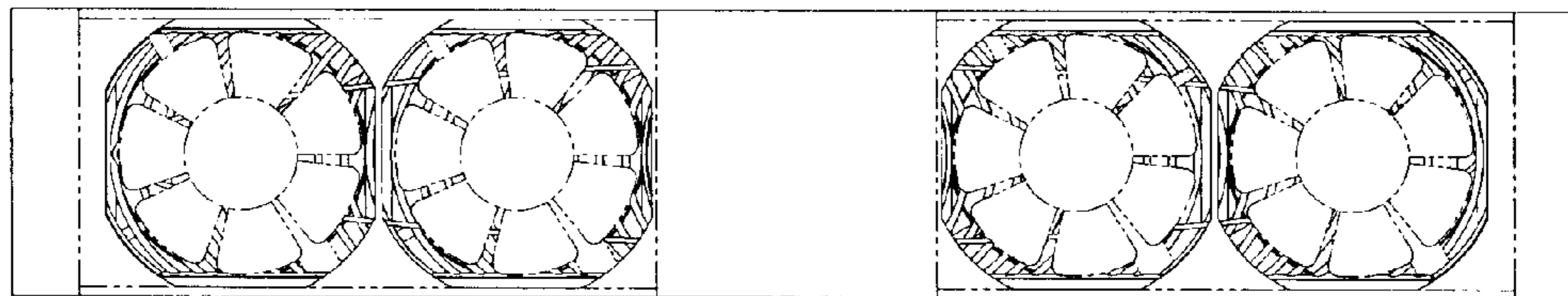


FIG. 3

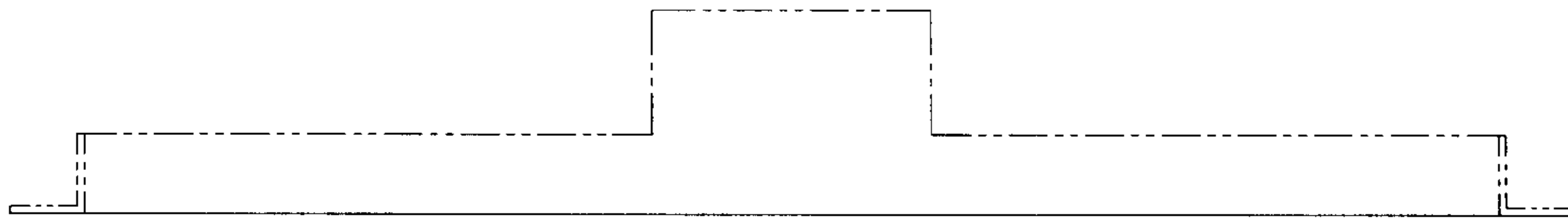


FIG. 4

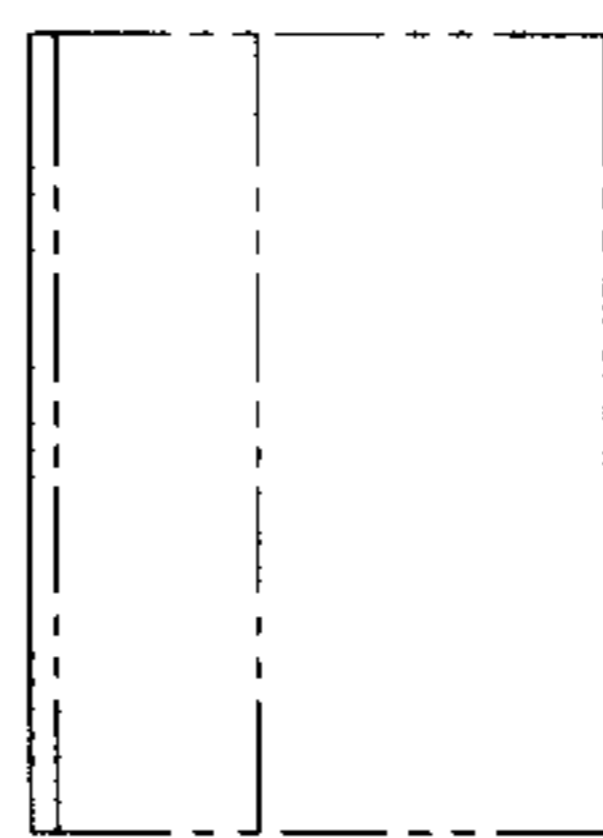


FIG. 5