



US00D537934S

(12) **United States Design Patent**  
**Crook**

(10) **Patent No.:** **US D537,934 S**

(45) **Date of Patent:** **\*\* Mar. 6, 2007**

(54) **DUCT BOOT WITH STRAIGHT AND ELBOW INLETS**

(76) **Inventor:** **Dale J. Crook**, 13745 W. 121st Ter.,  
Olathe, KS (US) 66062

(\*\*) **Term:** **14 Years**

(21) **Appl. No.:** **29/238,638**

(22) **Filed:** **Sep. 19, 2005**

(51) **LOC (8) Cl.** ..... **23-04**

(52) **U.S. Cl.** ..... **D23/393**

(58) **Field of Classification Search** ..... 285/12,  
285/148.22, 183, 179.1, 179.2, 133.6; D23/393,  
D23/387, 386, 259, 260, 261, 262, 263, 264,  
D23/265, 266, 394; 454/270, 265, 243, 290  
See application file for complete search history.

(56) **References Cited**

**U.S. PATENT DOCUMENTS**

|           |   |   |         |                |       |            |
|-----------|---|---|---------|----------------|-------|------------|
| 925,762   | A | * | 6/1909  | Eager          | ..... | 285/181    |
| 1,127,844 | A | * | 2/1915  | Anderson       | ..... | 52/219     |
| 1,600,739 | A | * | 9/1926  | Scherer        | ..... | 285/64     |
| 1,771,176 | A | * | 7/1930  | Holub          | ..... | 285/148.22 |
| 1,868,696 | A | * | 7/1932  | Crary          | ..... | 285/181    |
| 2,359,725 | A | * | 10/1944 | Berger et al.  | ..... | 285/125.1  |
| 2,489,601 | A | * | 11/1949 | Vanasky        | ..... | 285/12     |
| 2,963,783 | A | * | 12/1960 | Field          | ..... | 428/581    |
| 3,192,850 | A | * | 7/1965  | Martin         | ..... | 454/265    |
| 3,809,350 | A | * | 5/1974  | Lane           | ..... | 248/57     |
| 4,760,981 | A | * | 8/1988  | Hodges         | ..... | 248/57     |
| 4,773,197 | A | * | 9/1988  | Sullivan       | ..... | 52/220.1   |
| D314,820  | S | * | 2/1991  | Sullivan       | ..... | D23/393    |
| 5,108,136 | A | * | 4/1992  | Fantigrossi    | ..... | 285/148.22 |
| 5,240,288 | A | * | 8/1993  | Inda et al.    | ..... | 285/3      |
| 5,375,891 | A | * | 12/1994 | Sicotte et al. | ..... | 285/148.22 |

|           |   |   |        |            |       |           |
|-----------|---|---|--------|------------|-------|-----------|
| D391,356  | S | * | 2/1998 | Gustafsson | ..... | D23/387   |
| 5,957,506 | A | * | 9/1999 | Stepp      | ..... | 285/183   |
| D421,644  | S | * | 3/2000 | Andersen   | ..... | D23/263   |
| D423,660  | S | * | 4/2000 | Inda       | ..... | D23/393   |
| 6,076,788 | A | * | 6/2000 | Akiyama    | ..... | 248/200.1 |

\* cited by examiner

*Primary Examiner*—Louis Zarfaz

*Assistant Examiner*—David Muller

(74) *Attorney, Agent, or Firm*—Mark Brown

(57) **CLAIM**

The ornamental design for a duct boot with straight and elbow inlets, as shown and described.

**DESCRIPTION**

FIG. 1 is an upper, front, left side perspective view of a duct boot showing my new design in a straight inlet configuration thereof.

FIG. 2 is a top plan view thereof,

FIG. 3 is a bottom plan view thereof;

FIG. 4 is a front elevational view thereof;

FIG. 5 is a rear elevational view thereof;

FIG. 6 is a right side elevational view thereof;

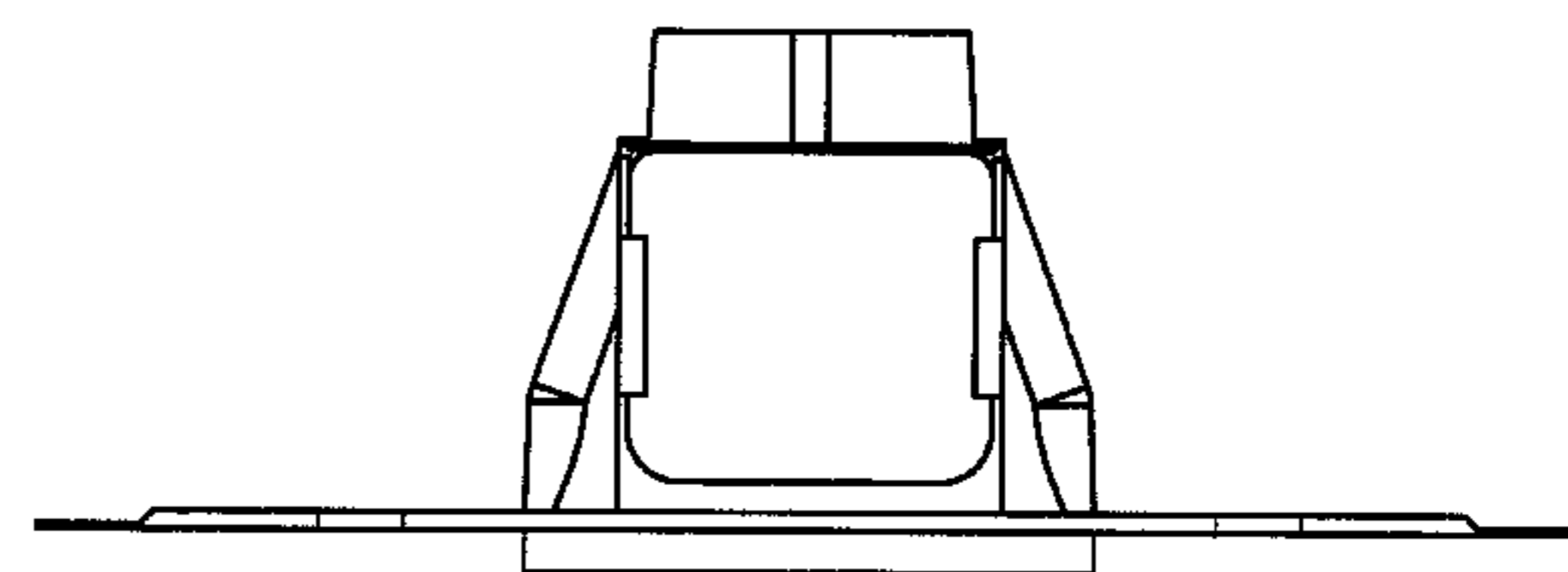
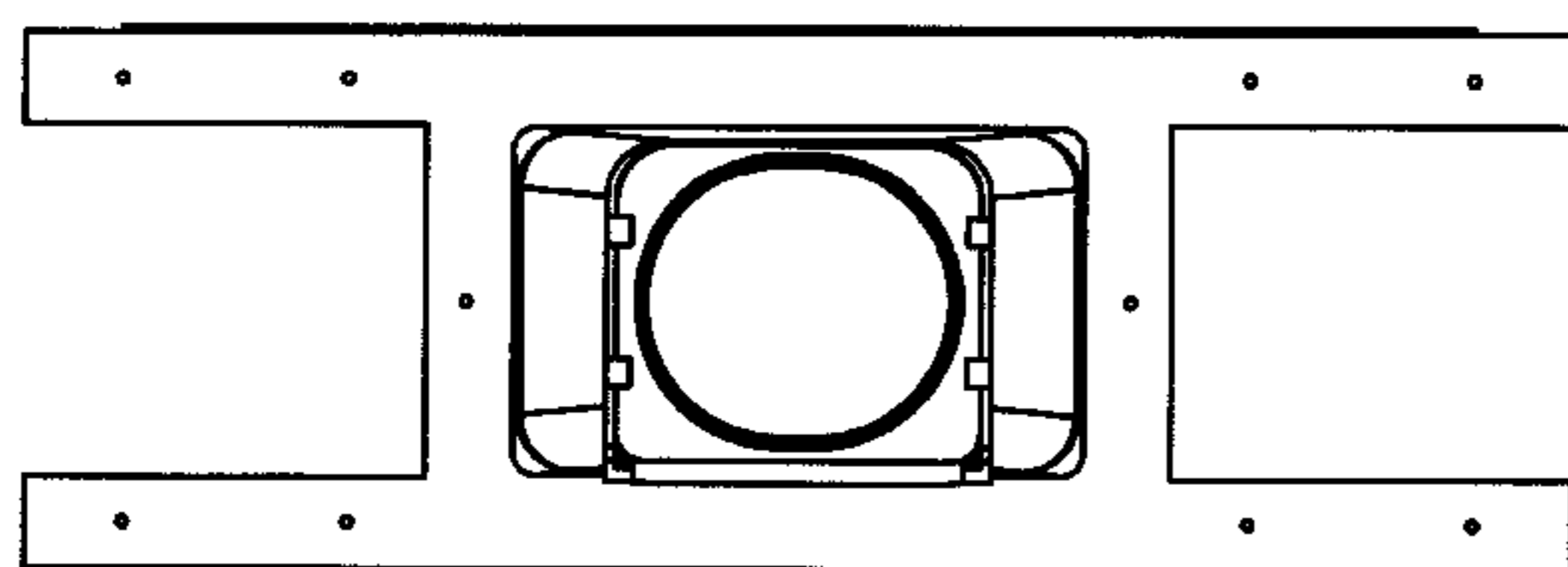
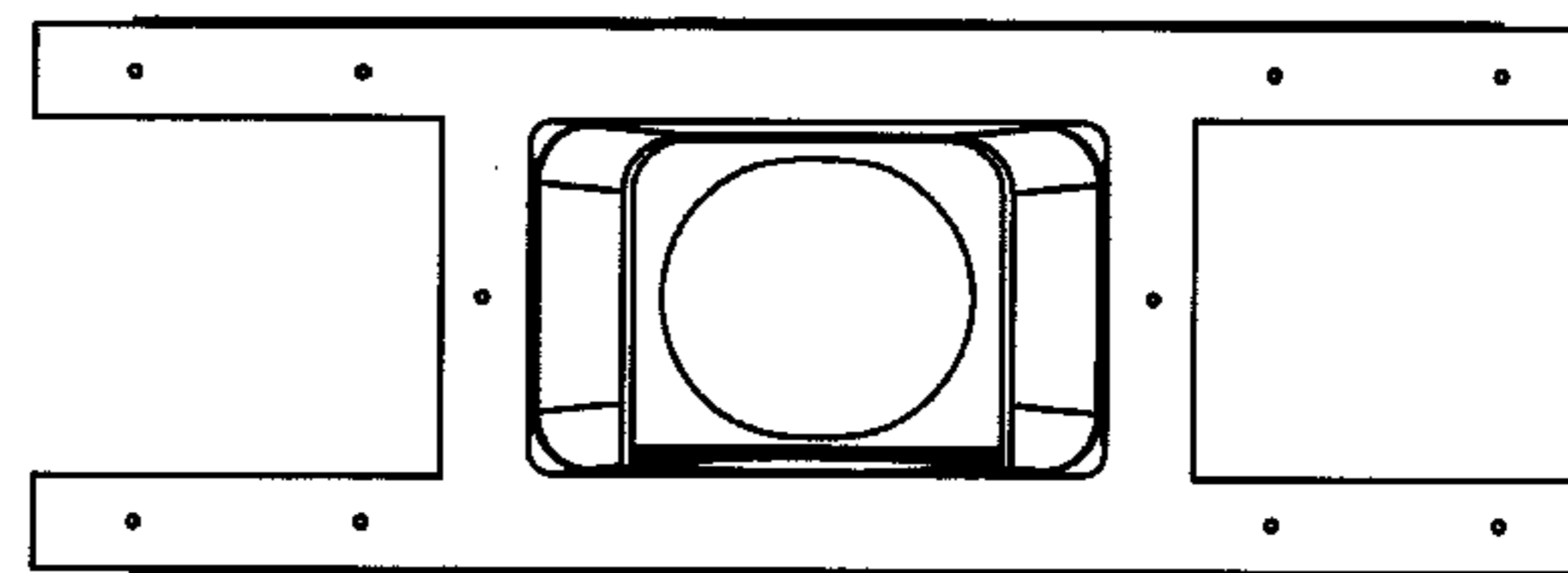
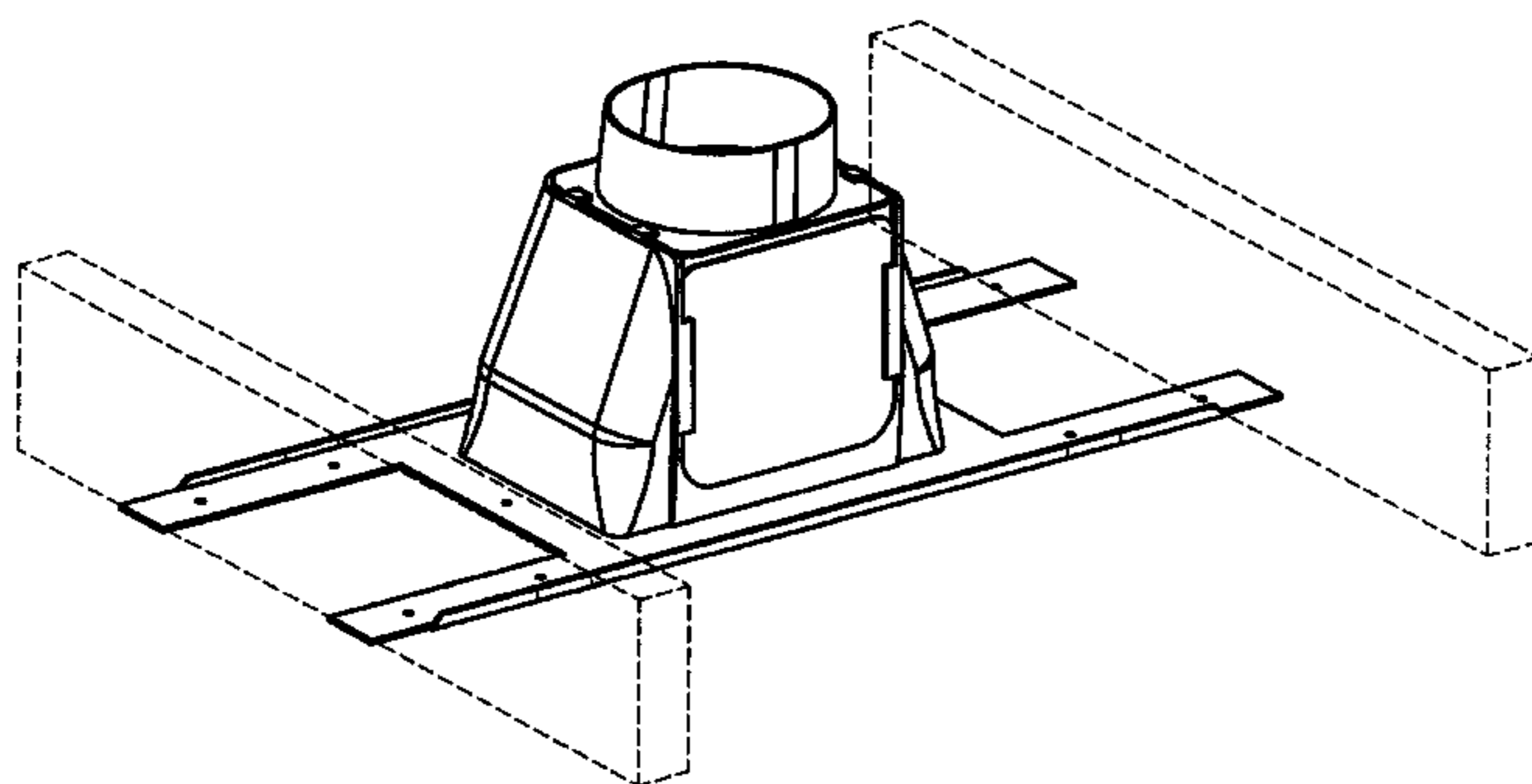
FIG. 7 is a left side elevational view thereof;

FIG. 8 is an upper, front, left side perspective view thereof; the broken lines show an alternative location for a joist mounting the boot; and,

FIG. 9 is an upper, front, left side perspective view of a duct boot showing my new design in an alternative elbow inlet configuration thereof.

The broken line showing of the locations of the joists mounting the boot in FIG. 1 and FIG. 9 is included for the purpose of illustrating use and environment and forms no part of the claimed design.

**1 Claim, 6 Drawing Sheets**



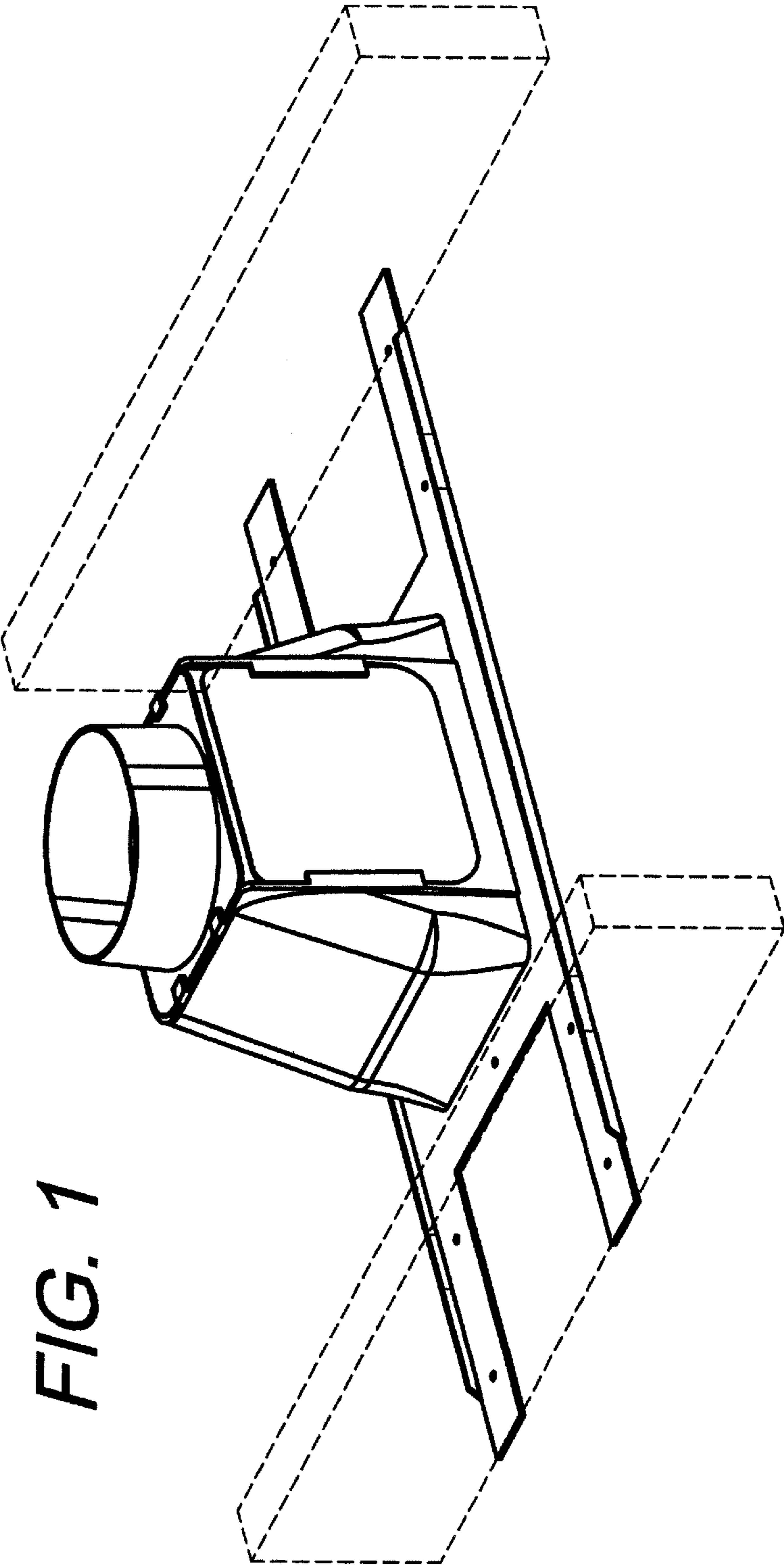
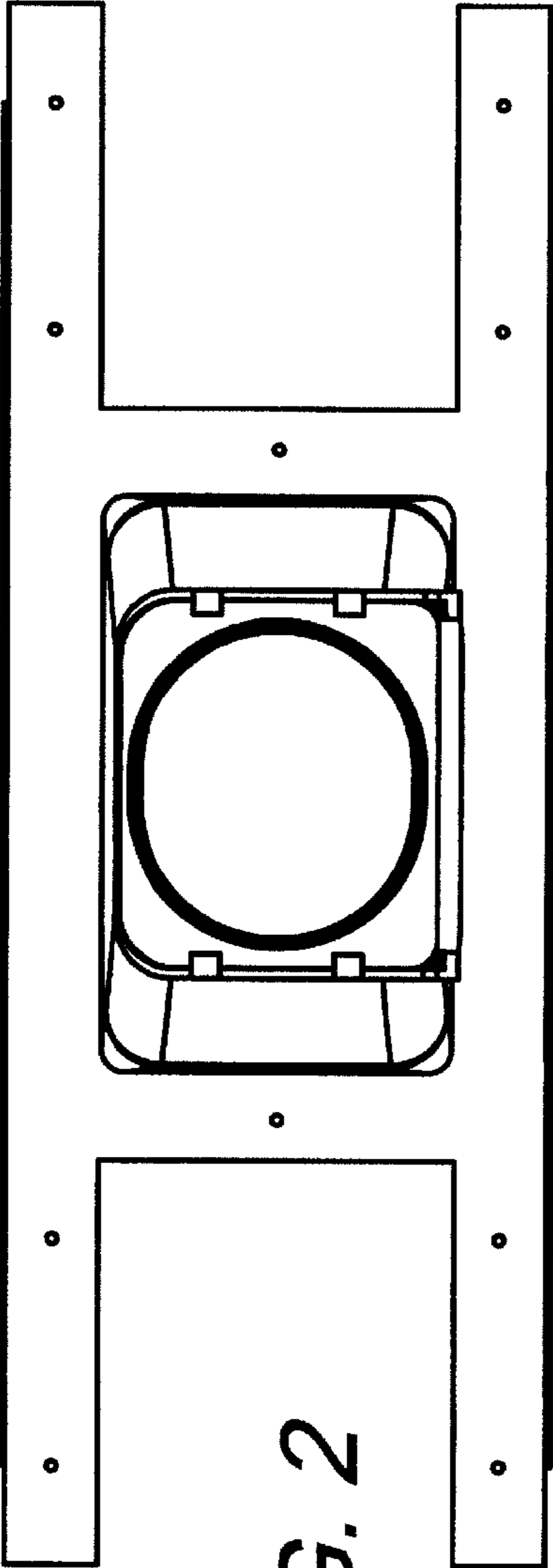
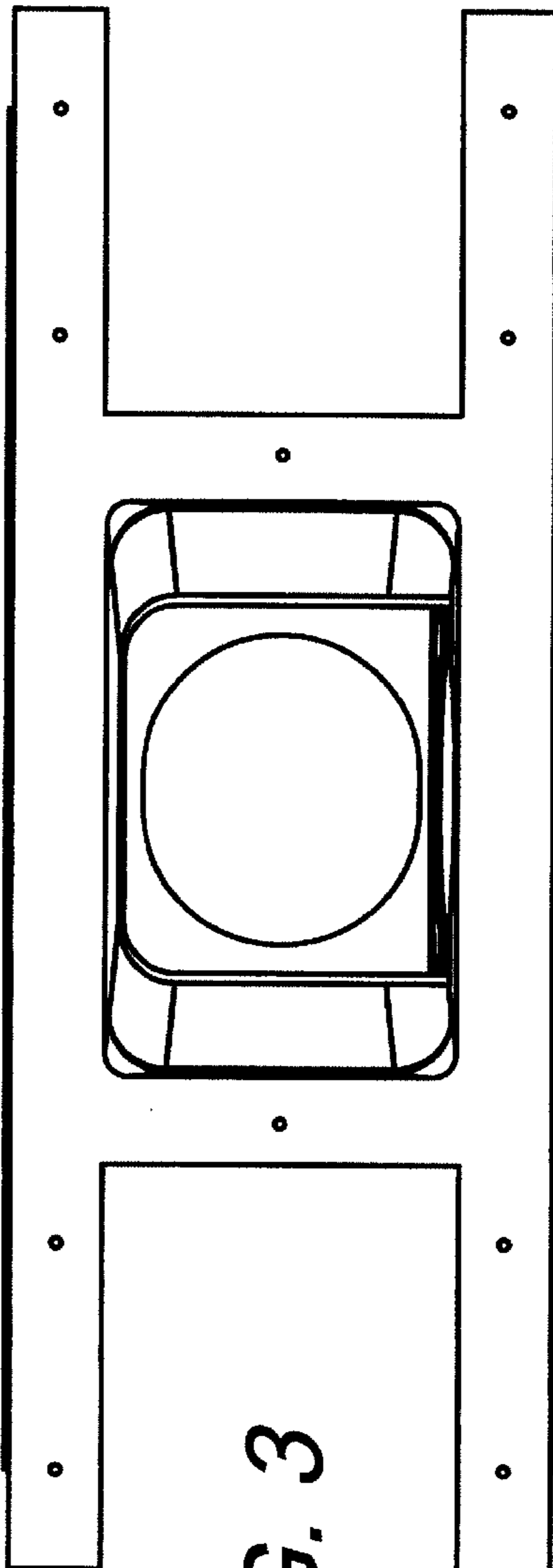


FIG. 1



*FIG. 2*



*FIG. 3*

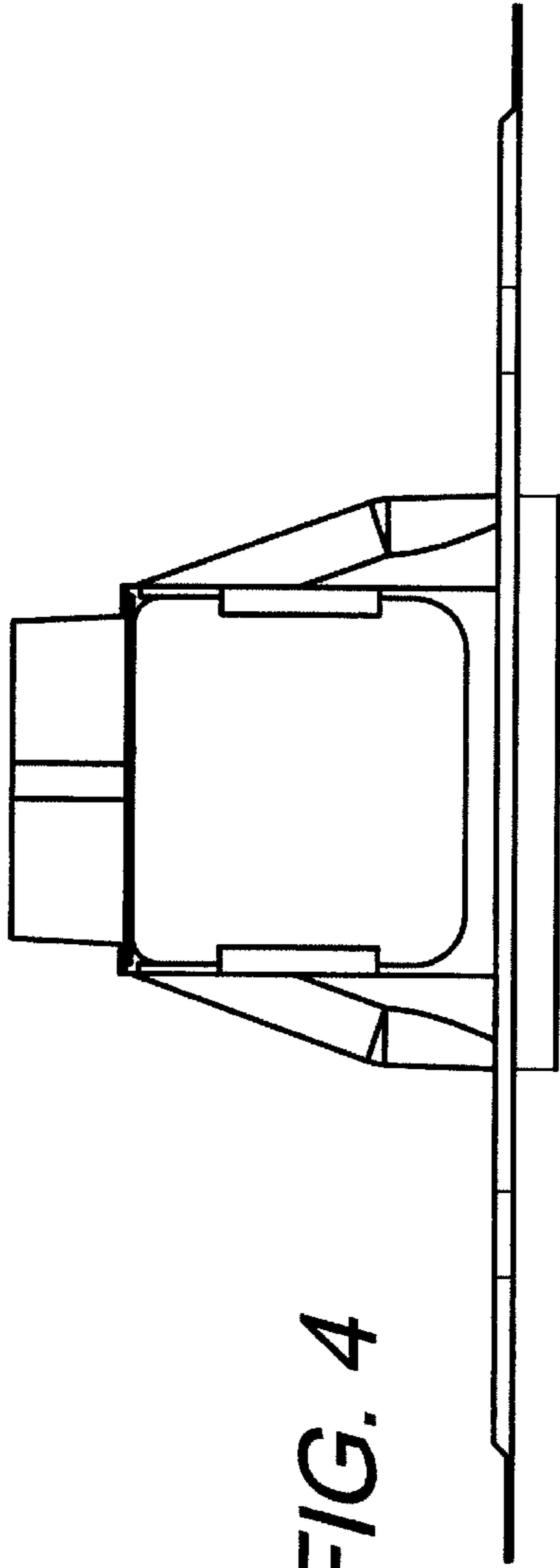


FIG. 4

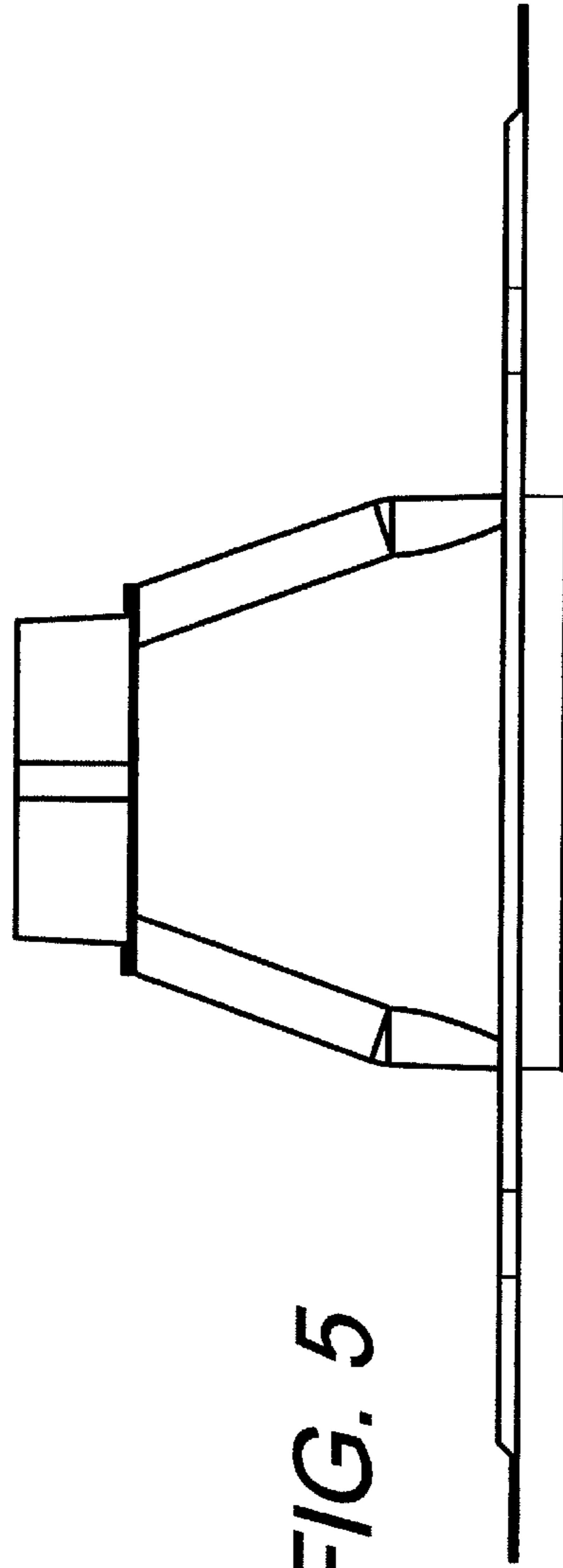


FIG. 5

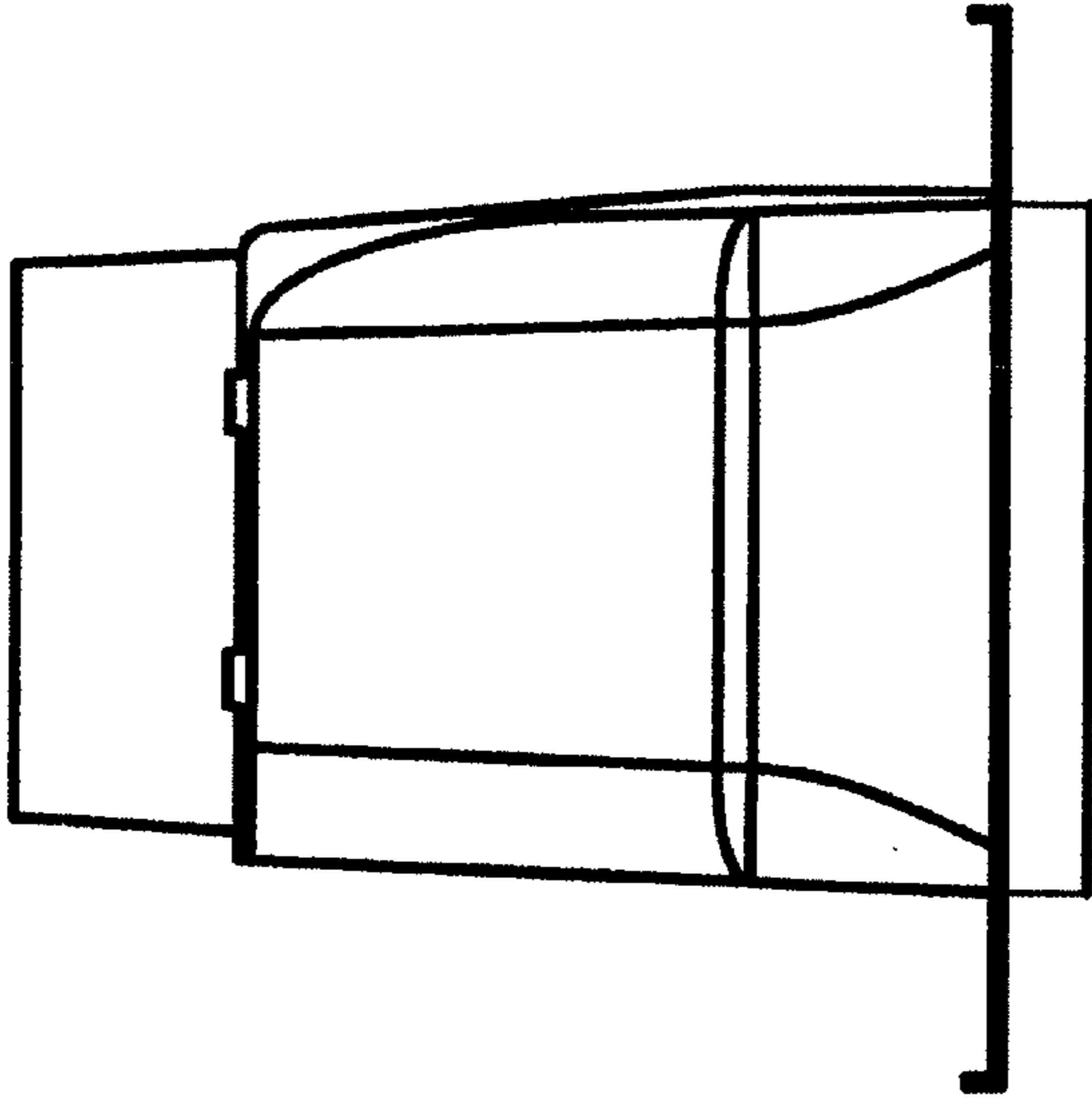


FIG. 6

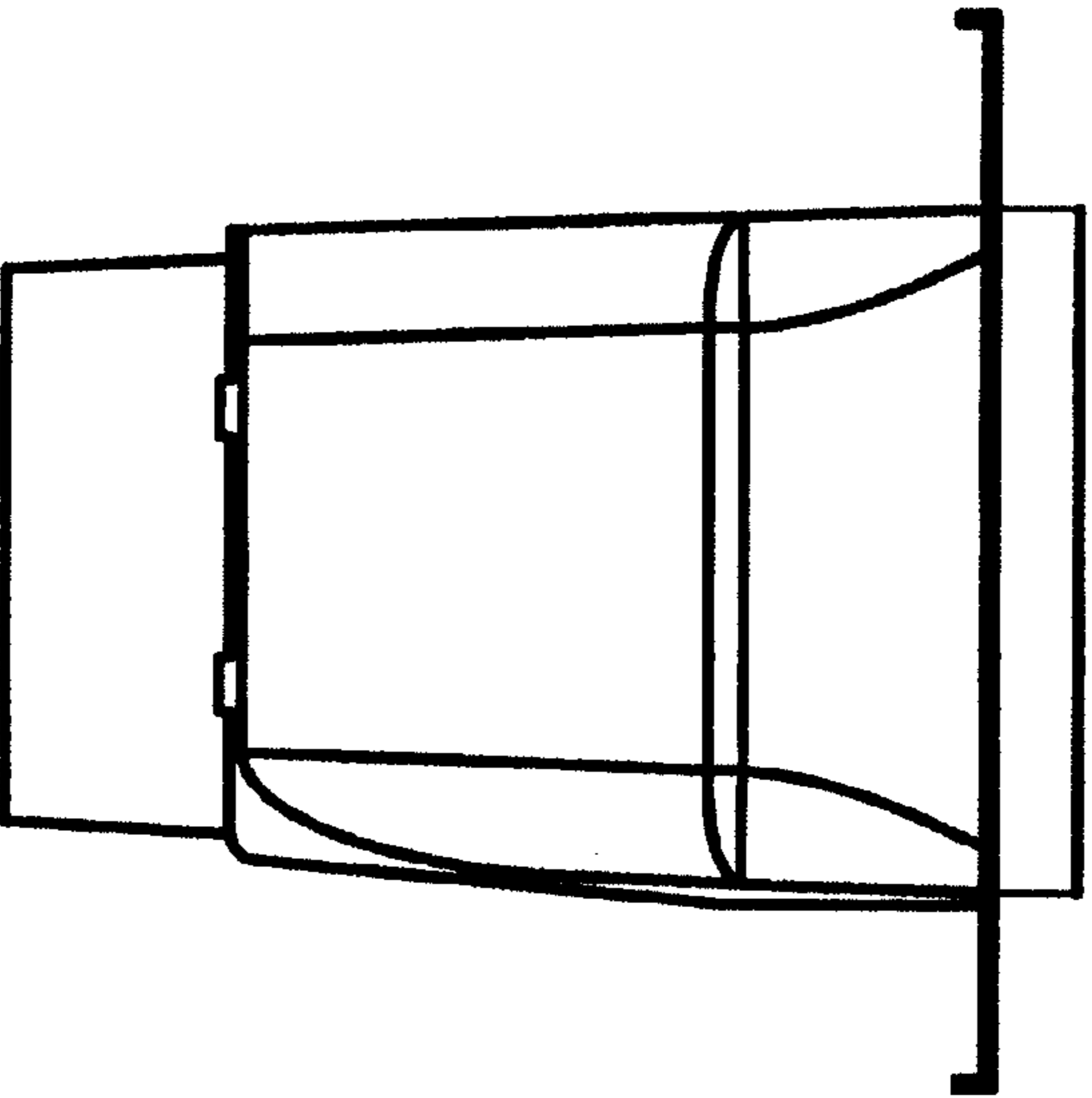


FIG. 7

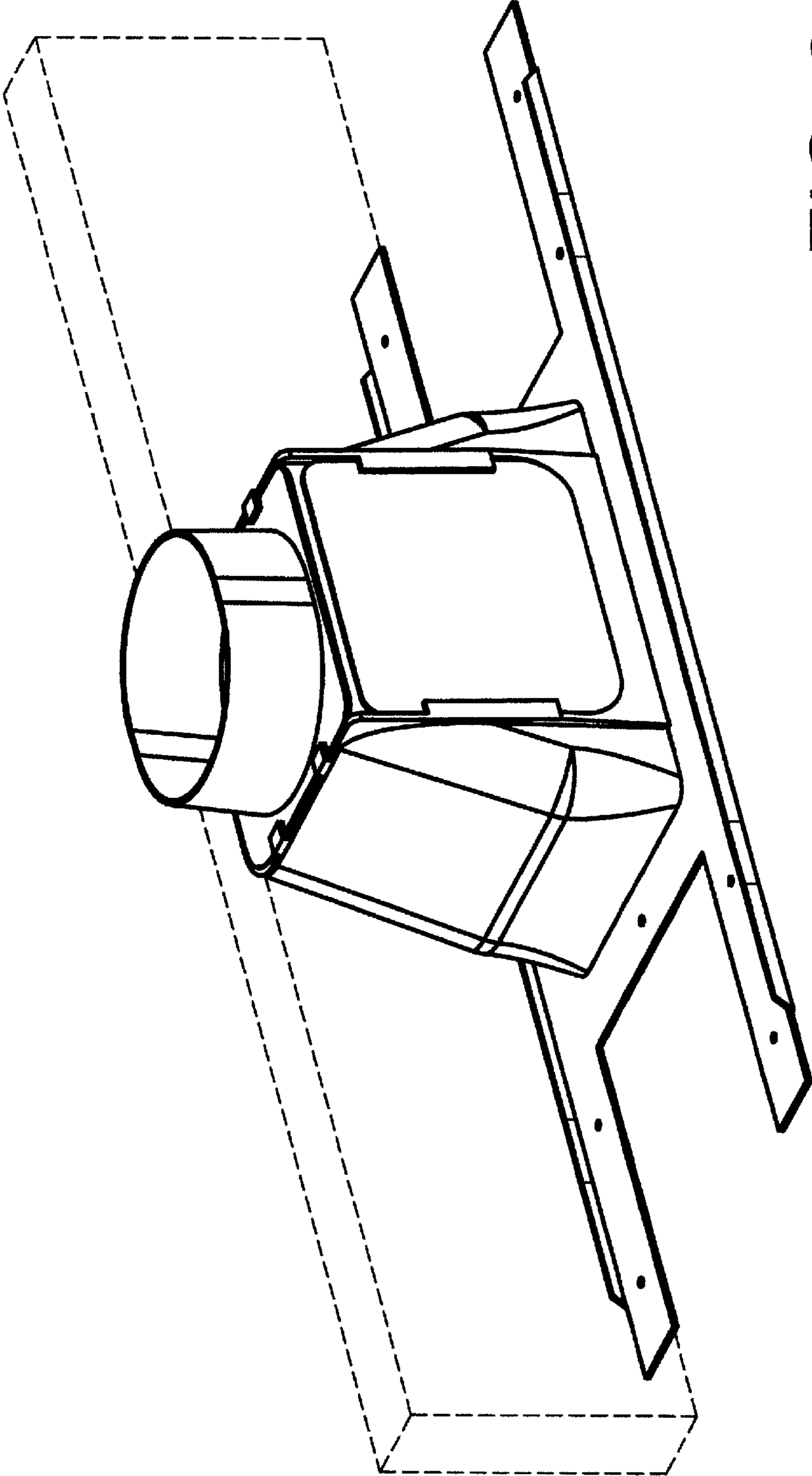


FIG. 8

