



US00D537931S

(12) **United States Design Patent**
Kashimura

(10) **Patent No.:** **US D537,931 S**
(45) **Date of Patent:** **** Mar. 6, 2007**

(54) **RANGE HOOD**

(75) Inventor: **Keiichi Kashimura**, Kanagawa (JP)

(73) Assignee: **Fuji Industrial Co., Ltd.**,
Kanagawa-Ken (JP)

(**) Term: **14 Years**

(21) Appl. No.: **29/224,476**

(22) Filed: **Mar. 3, 2005**

(51) **LOC (8) Cl.** **23-04**

(52) **U.S. Cl.** **D23/372**

(58) **Field of Classification Search** D23/372,
D23/371; 126/299 R, 299 D

See application file for complete search history.

(56) **References Cited**

U.S. PATENT DOCUMENTS

D100,729 S	8/1936	Graff	
2,548,607 A	4/1951	Jenn	
3,011,422 A	12/1961	Scallon	
D196,287 S	9/1963	Brannan	
3,564,989 A	2/1971	Bernard	
3,690,245 A	9/1972	Ferlise et al.	
D247,252 S	2/1978	Rosenberg	
D264,792 S	6/1982	Conti	
4,506,655 A	3/1985	Kuechler	
D280,339 S	8/1985	Harwell	
4,541,409 A *	9/1985	Karst et al.	126/299 D

(Continued)

FOREIGN PATENT DOCUMENTS

JP	1131000	1/2002
JP	1131001	1/2002
JP	1131246	1/2002
JP	1131427	1/2002

OTHER PUBLICATIONS

VentAHood: Complete Ventilation Systems brochure; copy-right 1994.

U.S. Appl. No. 29/201,316 to Kudo, which was filed on Mar. 15, 2004.

(Continued)

Primary Examiner—Lisa Lichtenstein

(74) *Attorney, Agent, or Firm*—Greenblum & Bernstein, P.L.C.

(57) **CLAIM**

I claim the ornamental design for a range hood, as shown and described.

DESCRIPTION

FIG. 1 is a top plan view of a first embodiment of a range hood, showing my new design;

FIG. 2 is a bottom plan view of the embodiment of FIG. 1;

FIG. 3 is a left side elevational view of the embodiment of FIG. 1, the right side being a mirror image of the left side;

FIG. 4 is a front elevational view of the embodiment of FIG. 1;

FIG. 5 is a rear elevational view of the embodiment of FIG. 1;

FIG. 6 is a perspective view of the embodiment of FIG. 1;

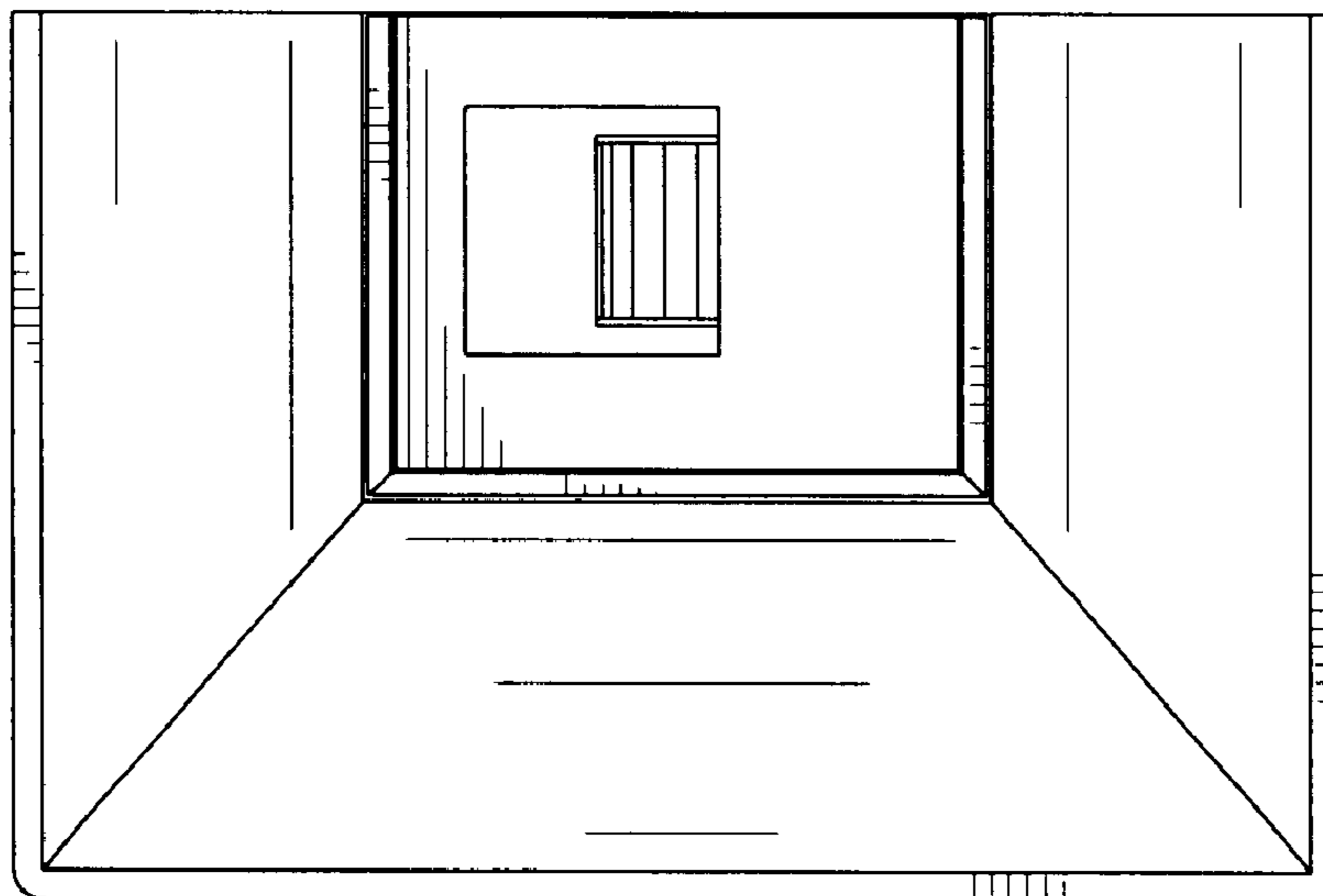
FIG. 7 is a perspective view of the embodiment of FIG. 1, showing the detachable plate removed and the filter exposed;

FIG. 8 is a left side elevational view of a second embodiment of a range hood, showing my new design, the right side being a mirror image of the left side;

FIG. 9 is a front elevational view of the embodiment of FIG. 8; and,

FIG. 10 is a rear elevational view of the embodiment of FIG. 8.

1 Claim, 5 Drawing Sheets



U.S. PATENT DOCUMENTS

D281,451 S 11/1985 Shames et al.
 D283,837 S 5/1986 Oster
 D286,563 S 11/1986 Kupferberg
 D296,466 S 6/1988 Gratton
 D315,204 S 3/1991 Fleming et al.
 D318,111 S 7/1991 Galassi
 5,027,790 A 7/1991 Chern
 5,069,197 A 12/1991 Wisting
 D325,966 S 5/1992 Wei
 D327,540 S 6/1992 Vogelzang
 D329,090 S 9/1992 Vogelzang
 5,320,088 A 6/1994 Nester
 5,363,837 A 11/1994 Jang
 D375,351 S 11/1996 Conforti
 D379,501 S 5/1997 Airoso et al.
 D380,044 S 6/1997 Tobias
 D380,823 S 7/1997 LaZar
 5,711,091 A 1/1998 Bos
 D390,648 S 2/1998 Woodall, III
 D439,649 S 3/2001 Wyler et al.
 6,202,641 B1 * 3/2001 Lazzaro 126/299 D
 6,216,686 B1 4/2001 Chiu
 D443,351 S 6/2001 Strand et al.
 6,276,358 B1 * 8/2001 Brin et al. 126/299 D
 D450,829 S 11/2001 Bothe et al.
 D452,557 S 12/2001 Tamura
 D452,558 S 12/2001 Tamura
 D452,907 S * 1/2002 Tamura D23/372
 6,354,287 B1 3/2002 Kudoh
 6,368,062 B1 4/2002 Yagami et al.
 D460,547 S 7/2002 Li

D465,021 S 10/2002 Liou
 D471,268 S 3/2003 Segers
 D473,297 S 4/2003 Bothe et al.
 D475,131 S 5/2003 Pilger
 D482,769 S 11/2003 Bothe et al.
 D483,846 S 12/2003 Kudo
 D484,231 S 12/2003 Kudo
 D487,505 S 3/2004 Grobleben
 D490,887 S 6/2004 Segers
 D493,880 S 8/2004 Achen

OTHER PUBLICATIONS

U.S. Appl. No. 29/229,308 to Kashimura, which was filed on May 6, 2005.
 U.S. Appl. No. 29/226,617 to Kashimura, which was filed on Mar. 31, 2005.
 U.S. Appl. No. 29/224,452 to Kashimura, which was filed on Mar. 3, 2005.
 U.S. Appl. No. 29/226,618 to Kashimura, which was filed on Mar. 31, 2005.
 English language translation of Japanese Design Registration No. 1131000.
 English language translation of Japanese Design Registration No. 1131001.
 English language translation of Japanese Design Registration No. 1131246.
 English language translation of Japanese Design Registration No. 1131427.

* cited by examiner

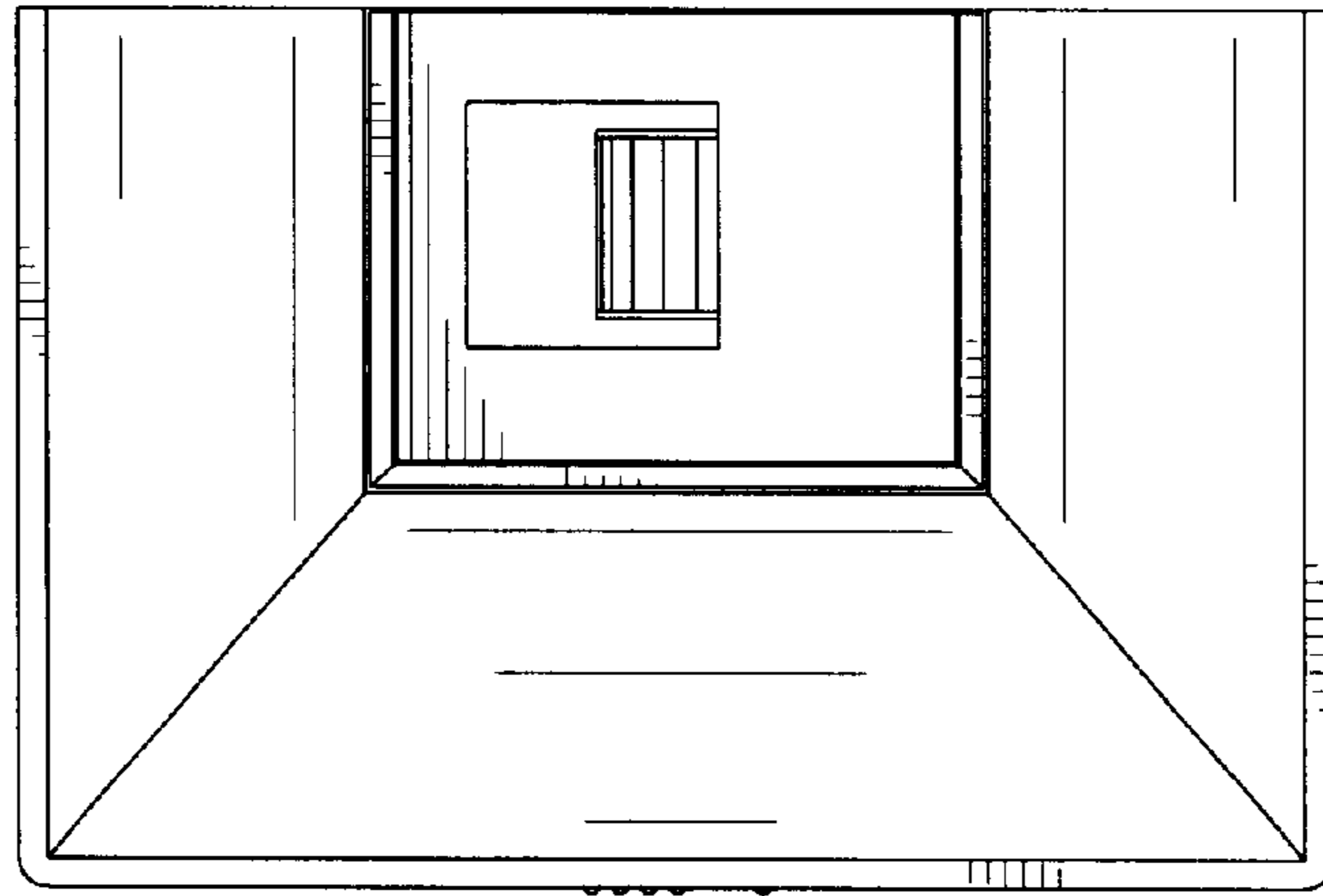


Fig. 1

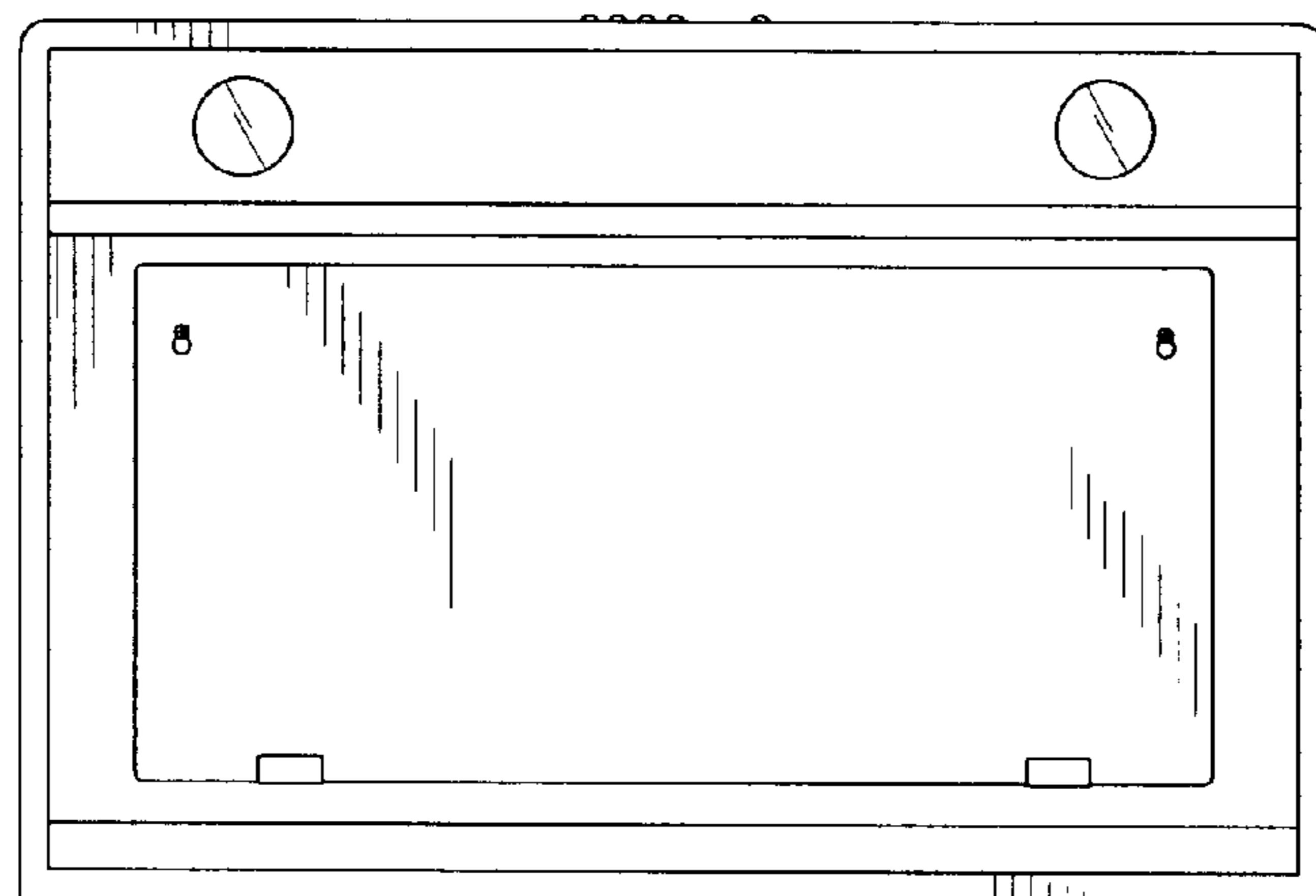


Fig. 2

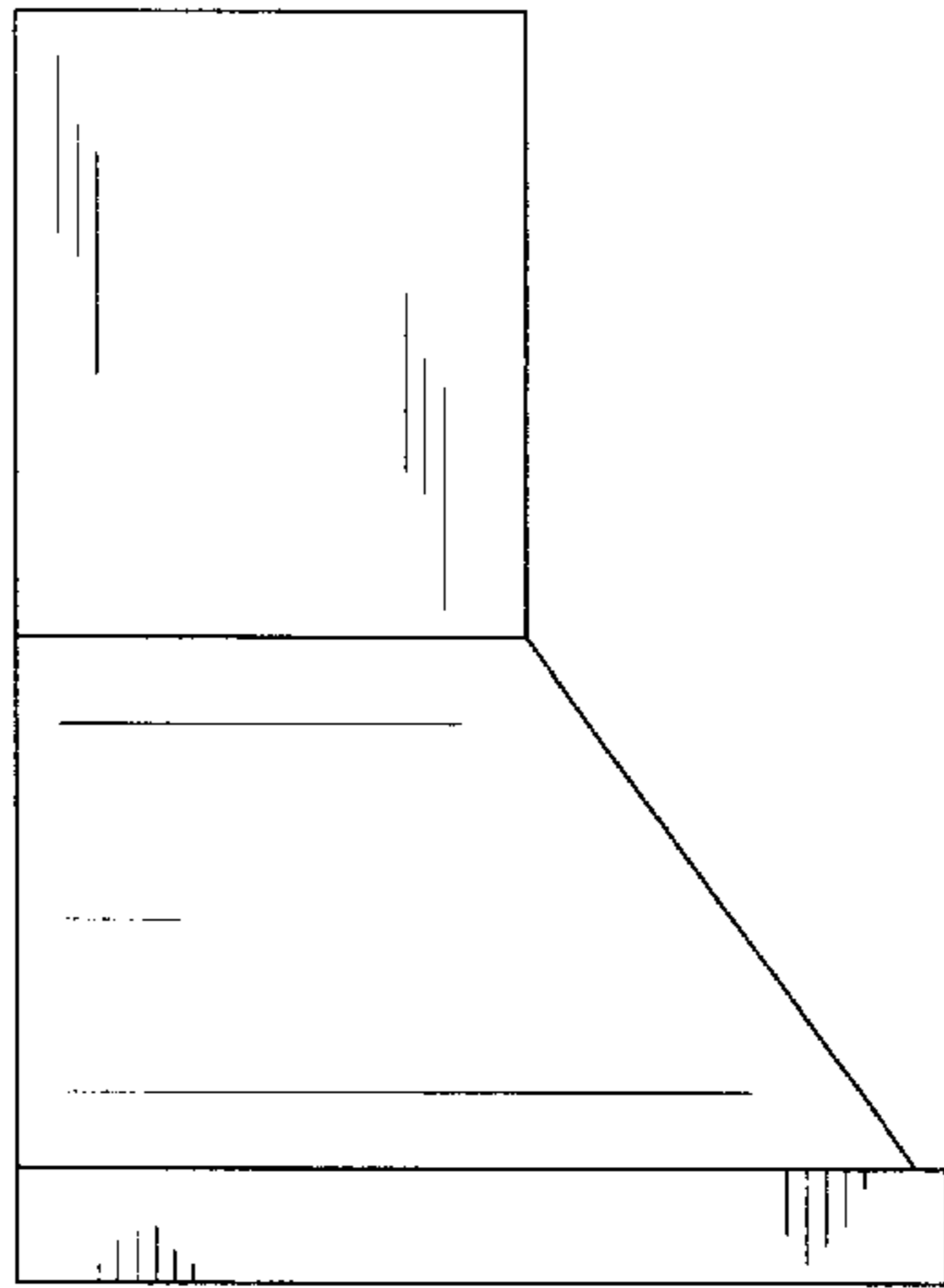


Fig. 3

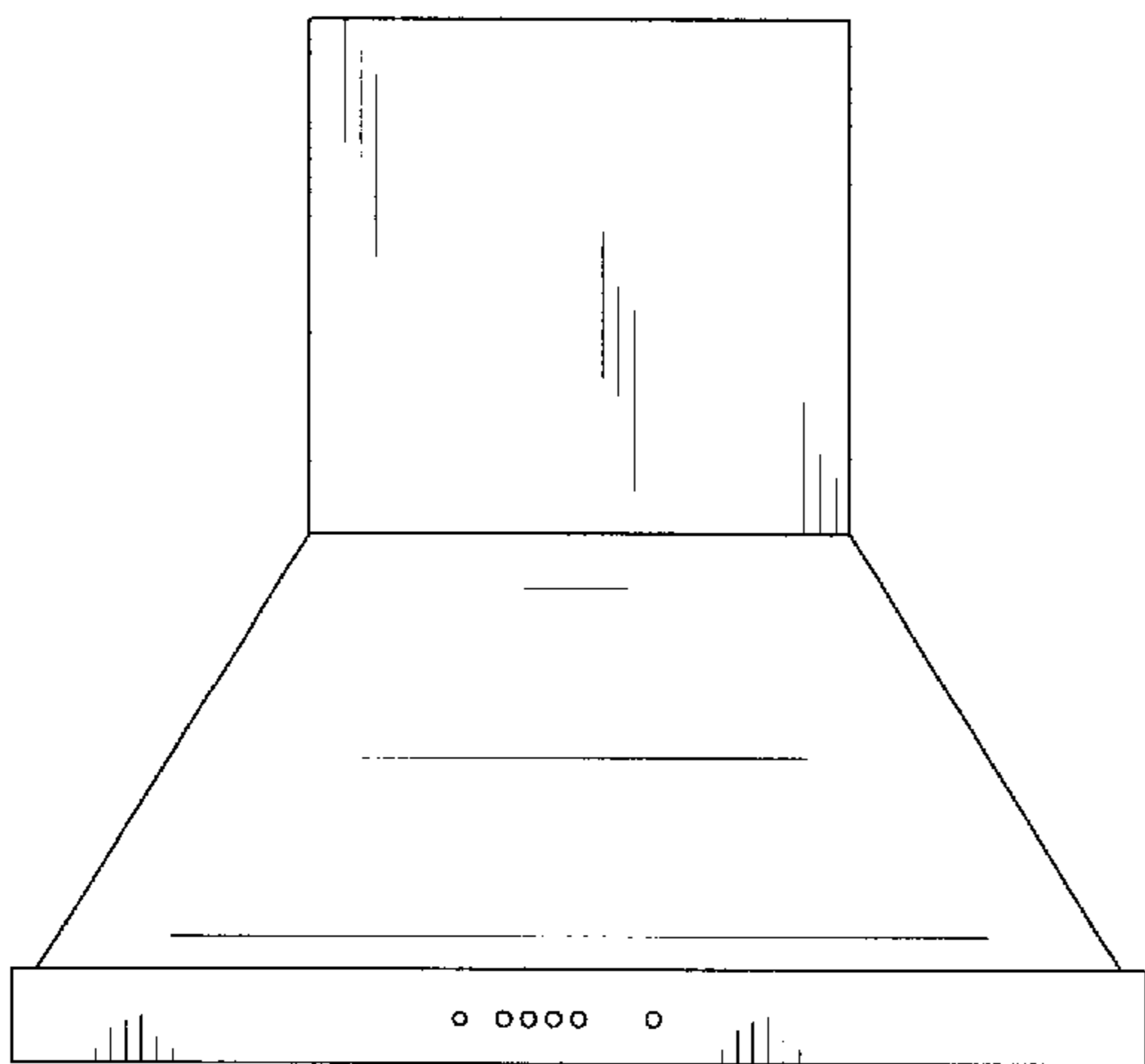


Fig. 4

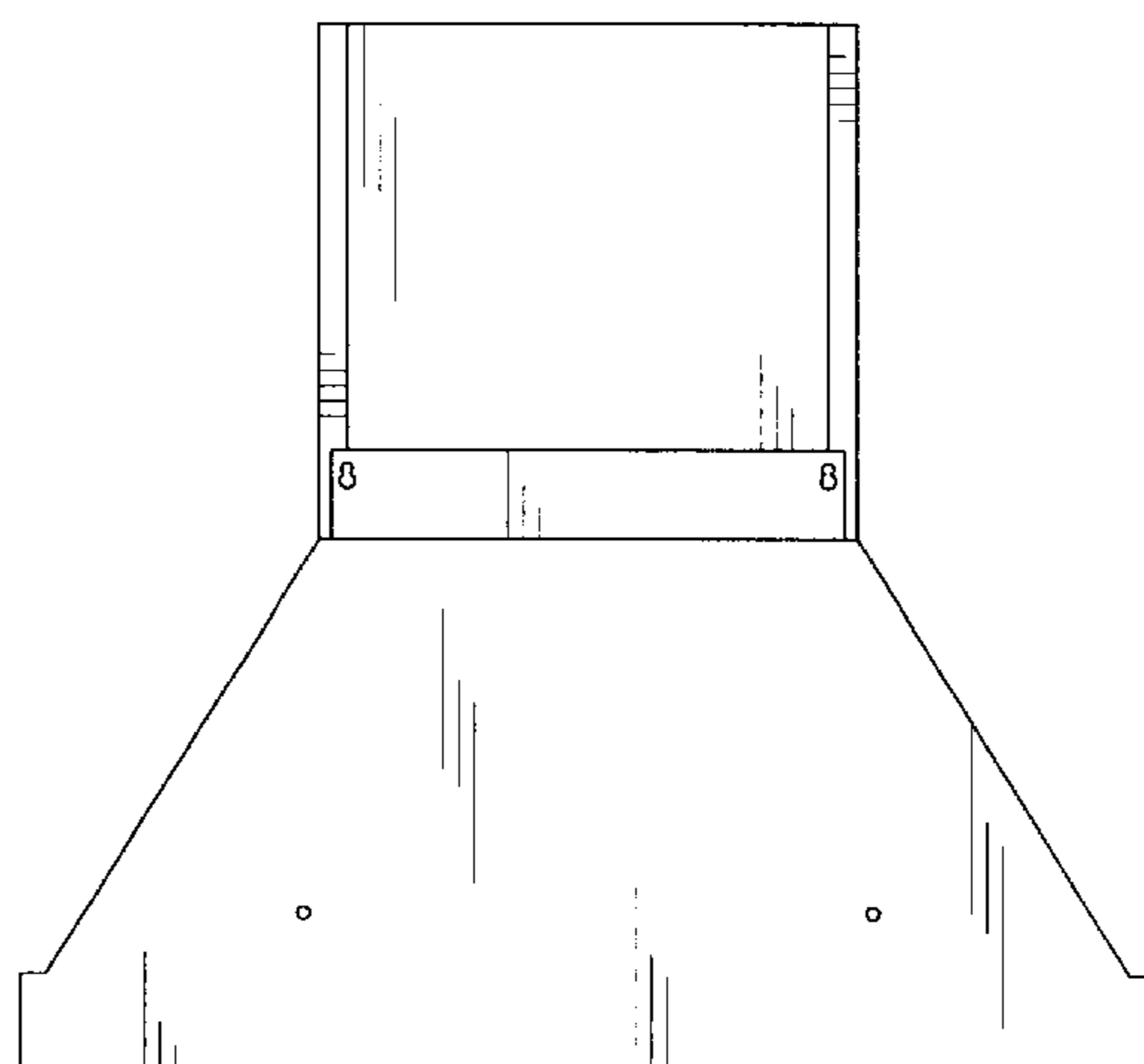


Fig. 5

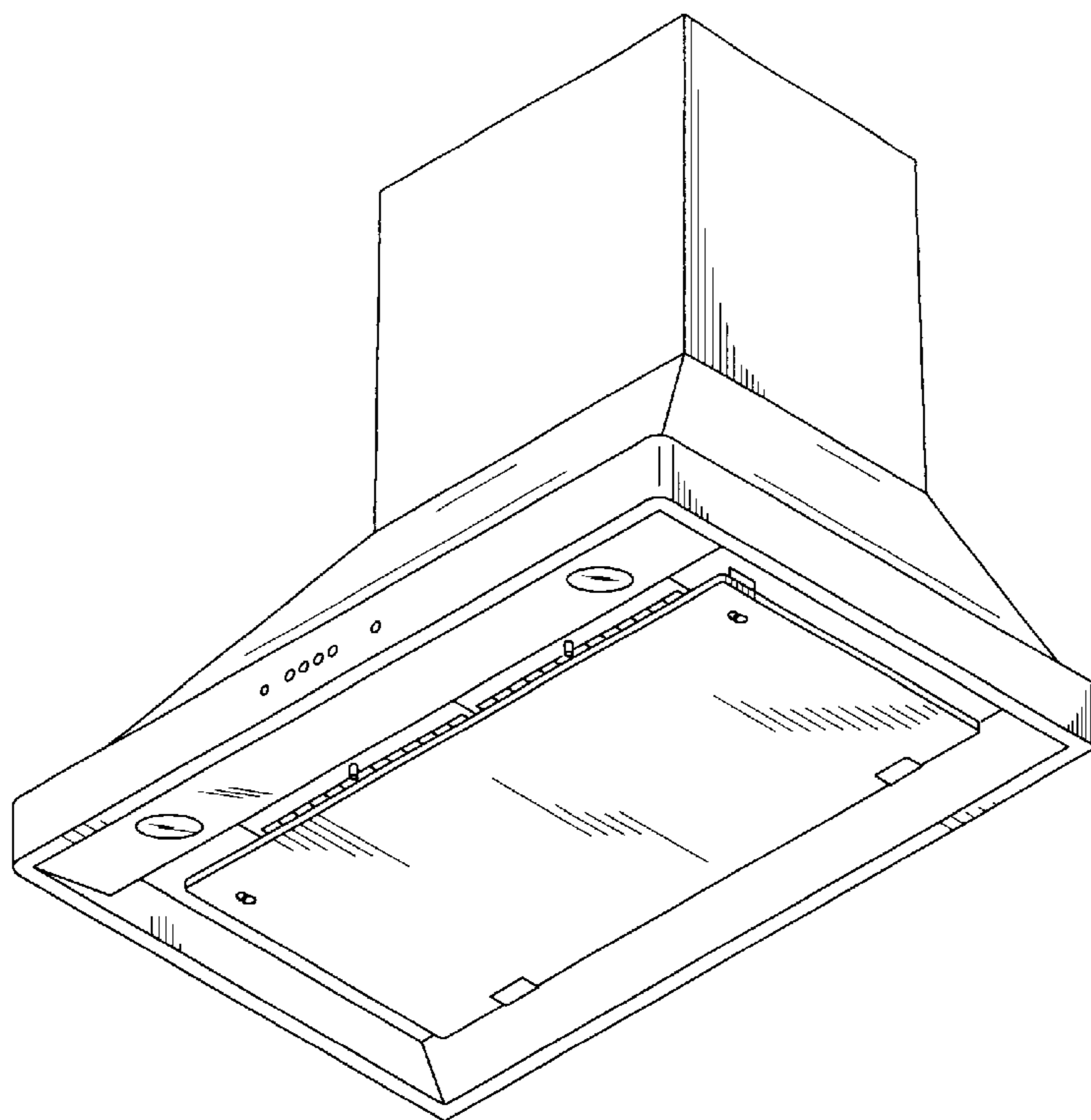


Fig. 6

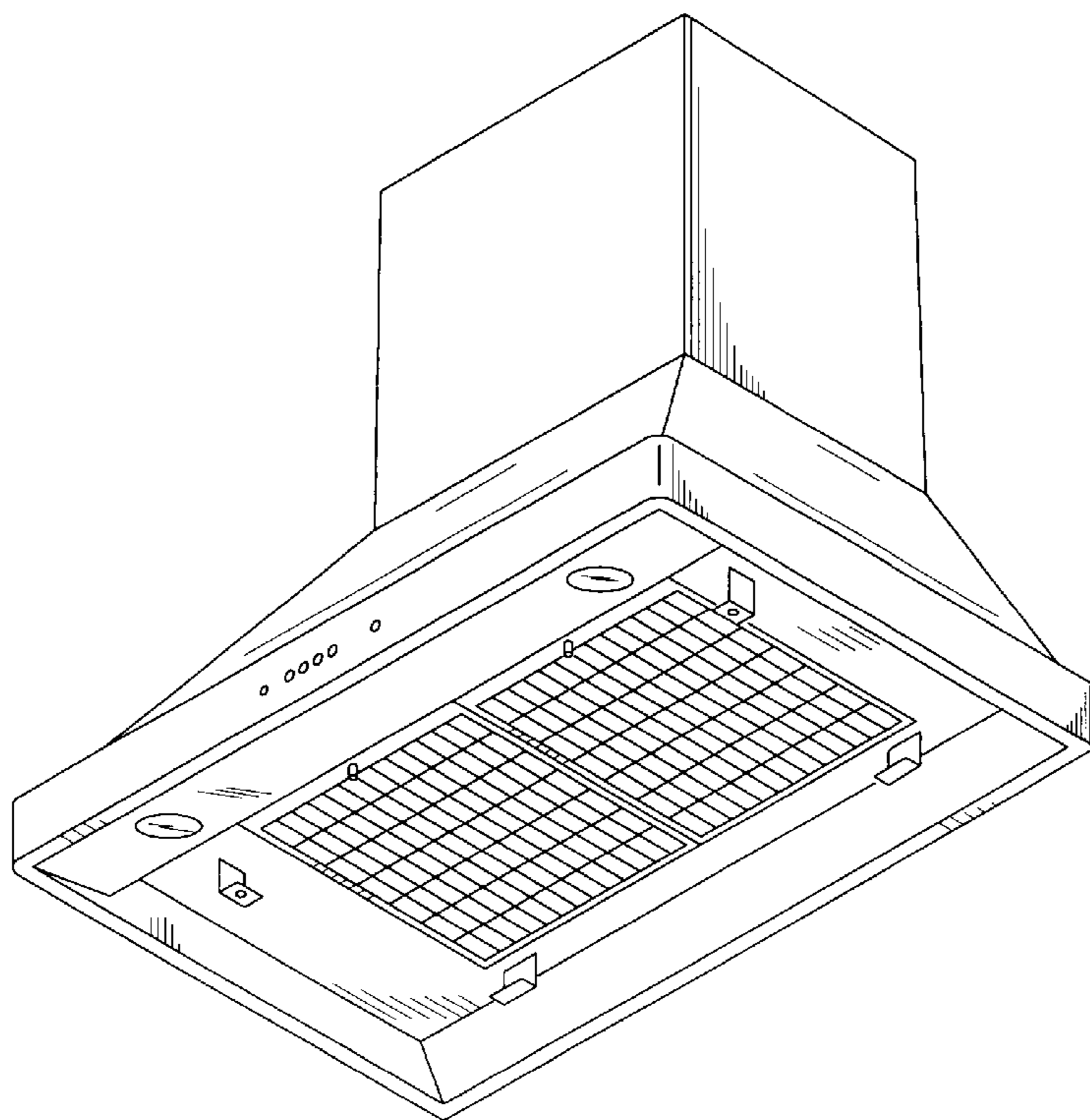


Fig. 7

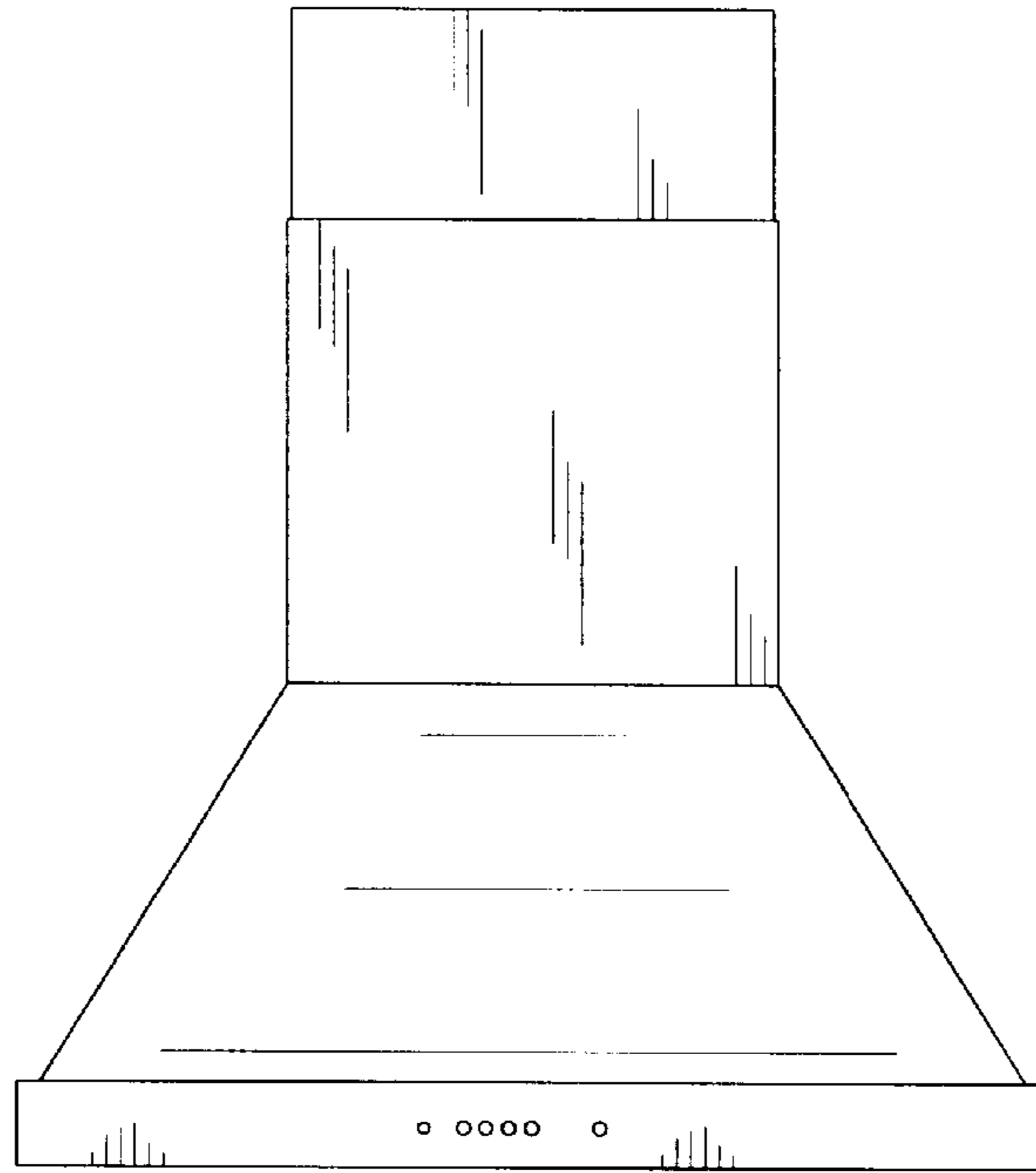


Fig. 9

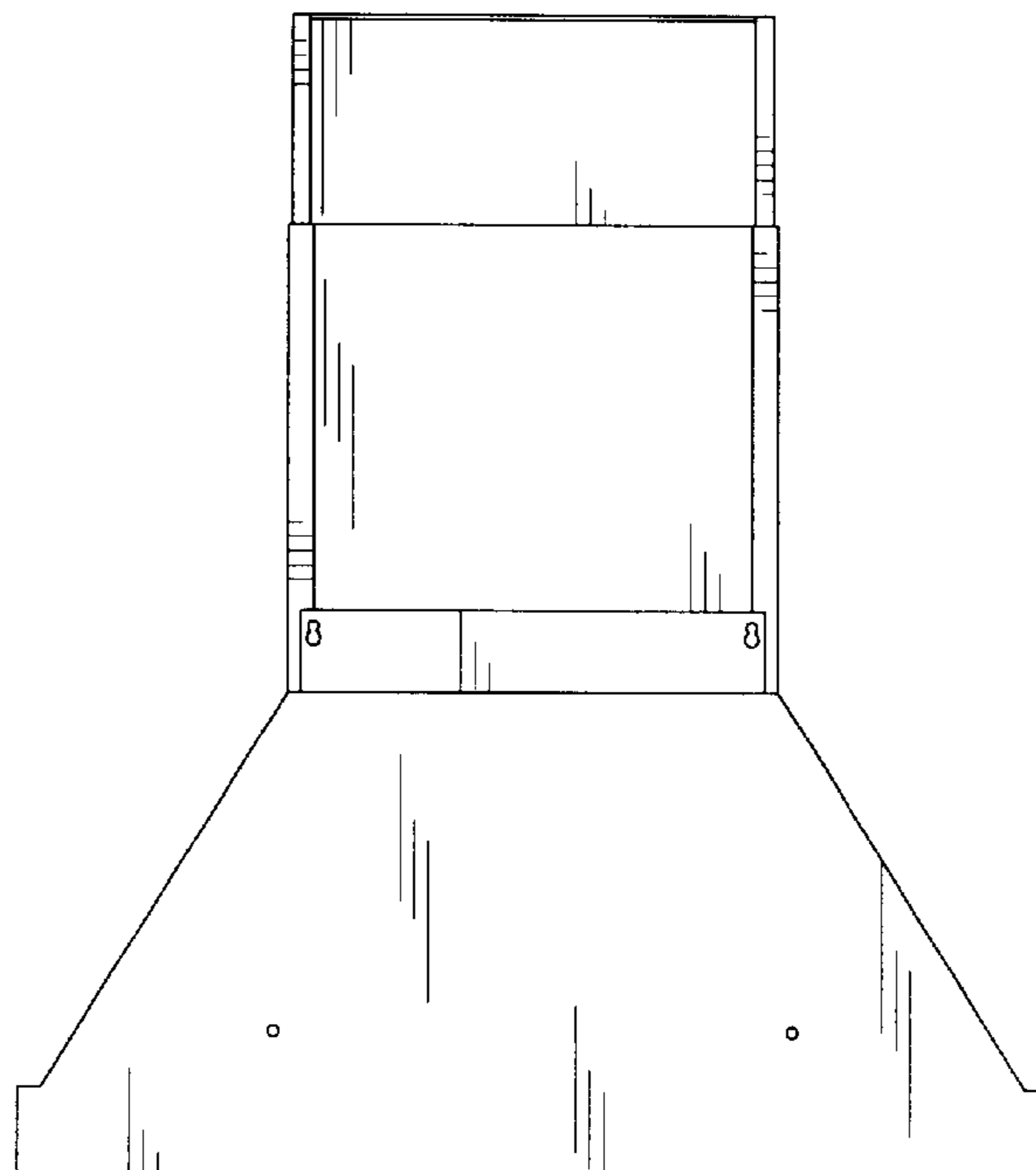


Fig. 10