



US00D537930S

(12) **United States Design Patent**
Nelson

(10) **Patent No.:** **US D537,930 S**
(45) **Date of Patent:** **** Mar. 6, 2007**

(54) **HAND HELD RECHARGEABLE HOT GAS
EXTRACTION DEVICE FOR VOLATIZING
OR VAPORIZING AT LEAST ONE
CONSTITUENT OF A MATERIAL**

D501,919 S * 2/2005 Hsin-mao D23/364
D504,171 S * 4/2005 Ibarra et al. D23/366
D512,493 S * 12/2005 Haranaka D23/355
D517,182 S * 3/2006 Christianson D23/364

(75) Inventor: **Stephen G. Nelson**, San Diego, CA
(US)

* cited by examiner

Primary Examiner—Sandra S. Snapp

(73) Assignee: **Zhao Wei LLC**, San Diego, CA (US)

(74) *Attorney, Agent, or Firm*—Michael Bilotta

(**) Term: **14 Years**

(57) **CLAIM**

(21) Appl. No.: **29/243,253**

The ornamental design for a hand held rechargeable hot gas extraction device for volatizing or vaporizing at least one constituent of a material, as shown and described.

(22) Filed: **Nov. 21, 2005**

DESCRIPTION

(51) **LOC (8) Cl.** **28-99**

(52) **U.S. Cl.** **D23/366**

(58) **Field of Classification Search** 392/386,
392/390–394, 398, 401, 403, 405–406; 239/135–136,
239/34, 35, 56–58, 37, 41, 42, 60; 261/DIG. 17,
261/DIG. 65, DIG. 88, DIG. 89; D23/355–369
See application file for complete search history.

FIG. 1 is a front elevational view, of my new hand held cordless rechargeable hot gas extraction device for volatizing or vaporizing at least one constituent of a material in the closed position;

FIG. 2 is a left view thereof,

FIG. 3 is a right view thereof,

FIG. 4 is a top view thereof,

FIG. 5 is a bottom view thereof,

FIG. 6 is a rear view thereof,

FIG. 7 is a front perspective view thereof,

FIG. 8 is a rear perspective view thereof,

FIG. 9 is a front perspective view, of my new hot gas extraction device in the open position; and,

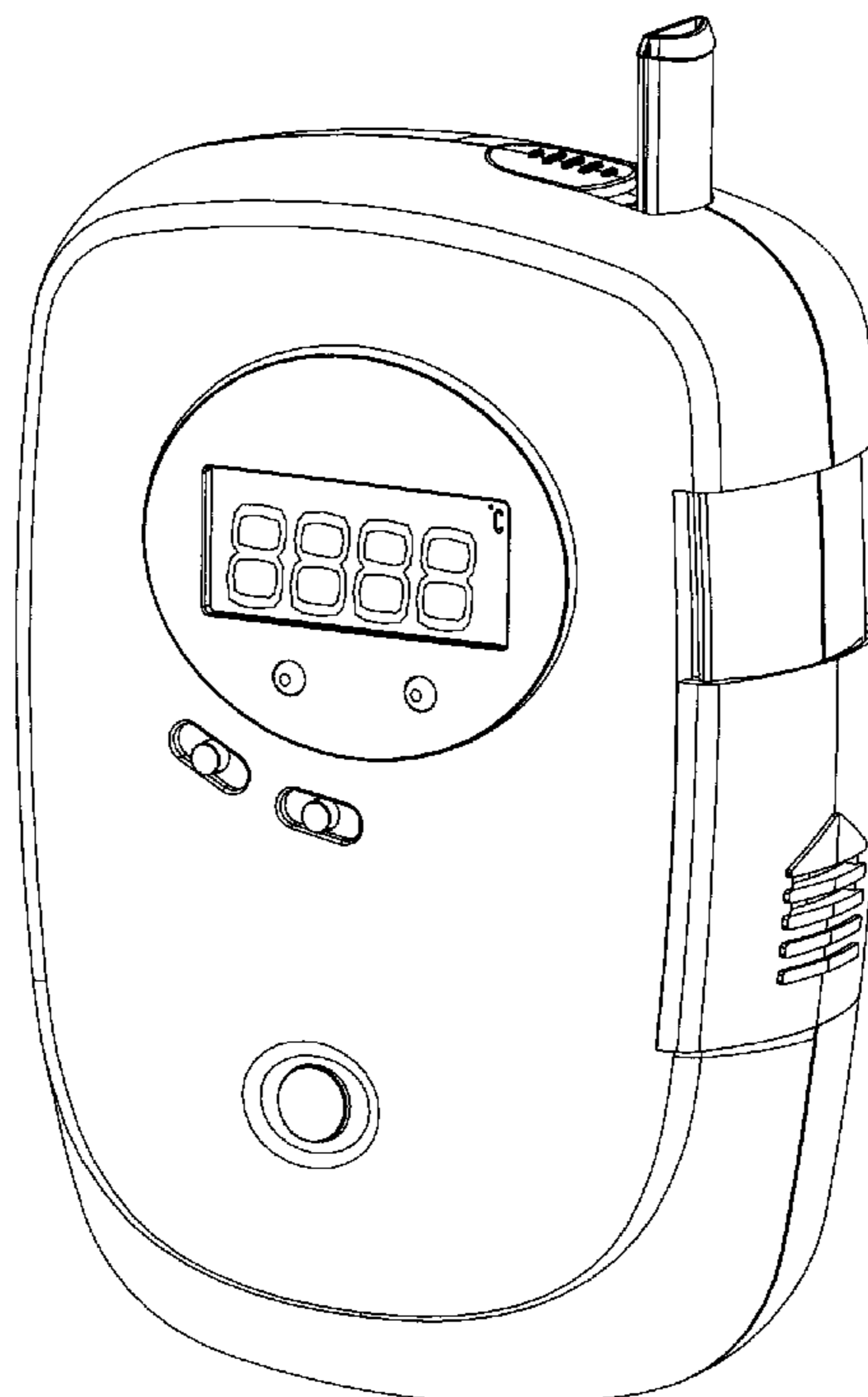
FIG. 10 is a rear perspective view, of my new hot gas extraction device in the open position.

(56) **References Cited**

U.S. PATENT DOCUMENTS

D366,521 S * 1/1996 Wijaranakula D23/366
D406,330 S * 3/1999 Chen D23/366
D409,740 S * 5/1999 Gallagher et al. D23/366
D413,663 S * 9/1999 Chen D23/366
D427,300 S * 6/2000 Pinchuk D23/364
D437,038 S * 1/2001 Chuan D23/364
D446,849 S * 8/2001 Weinberg D23/364
D495,409 S * 8/2004 Ke D23/355

1 Claim, 8 Drawing Sheets



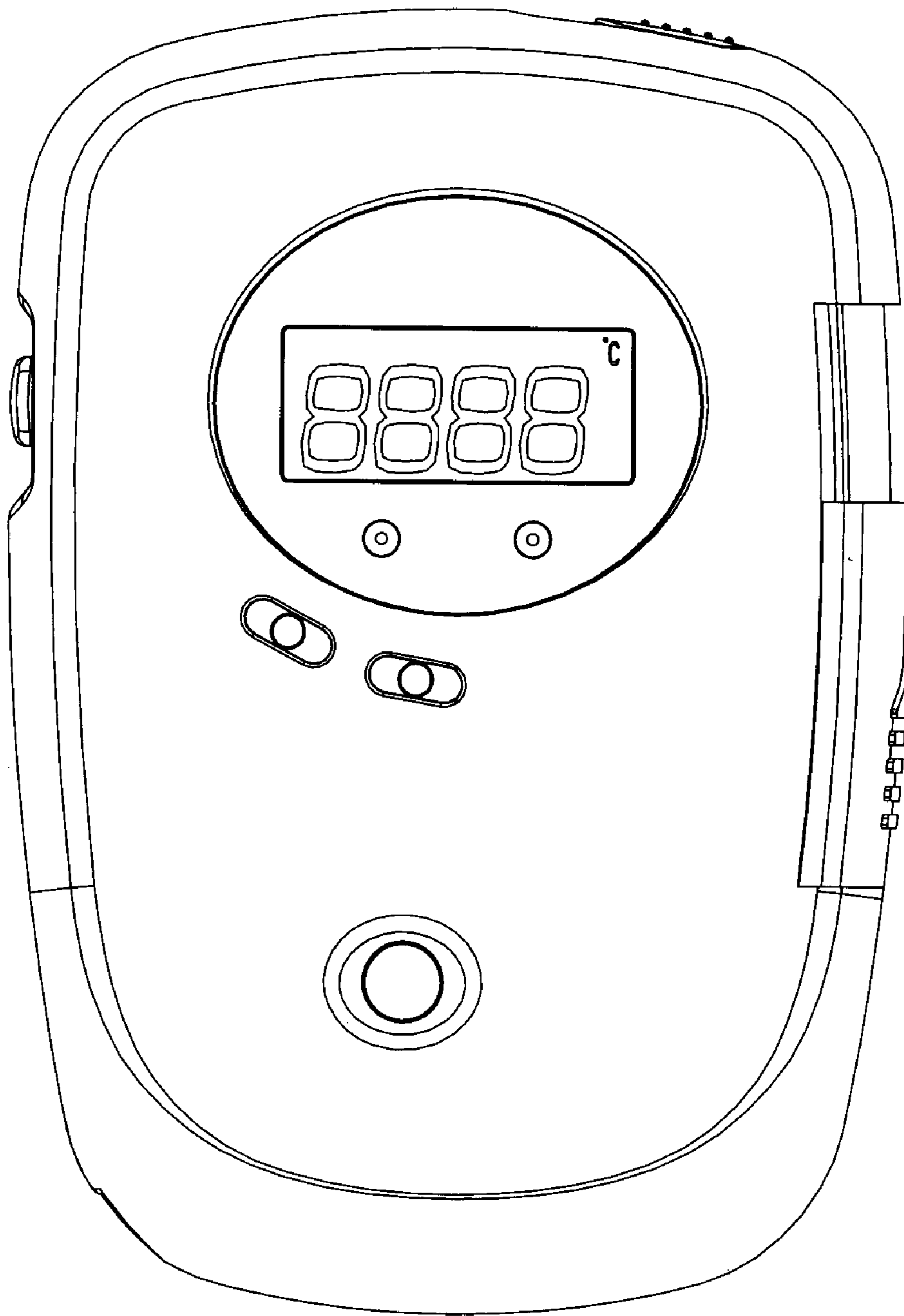


FIG. 1

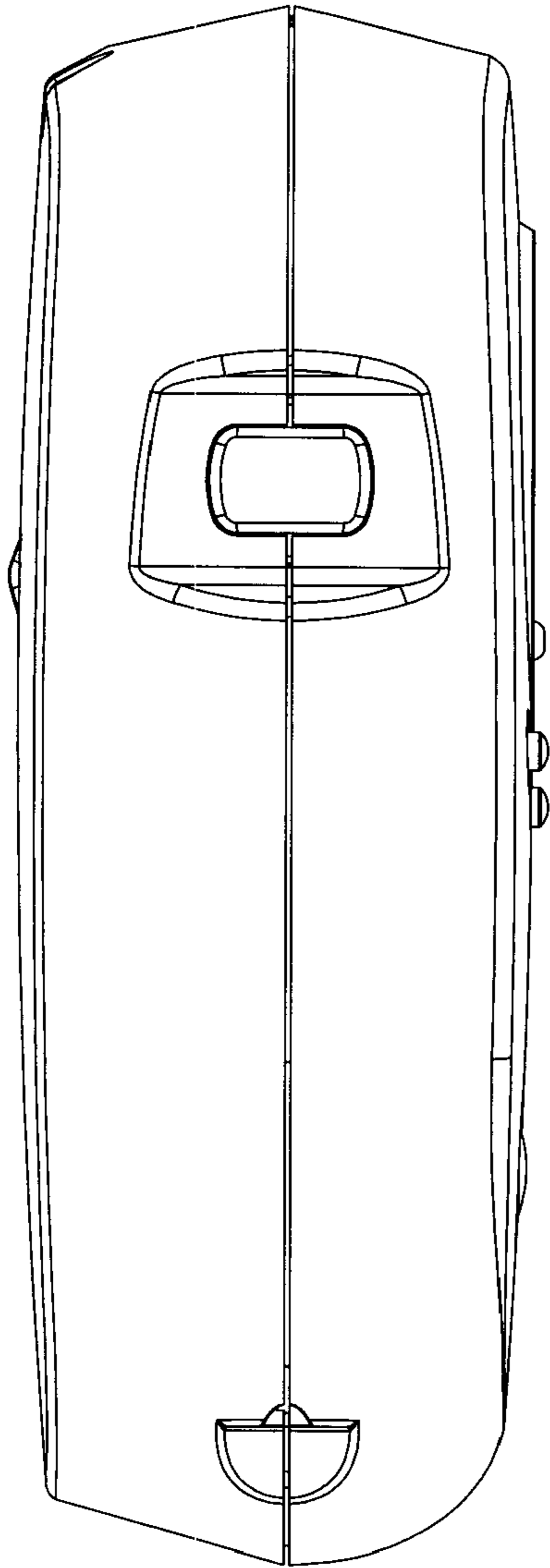


FIG. 2

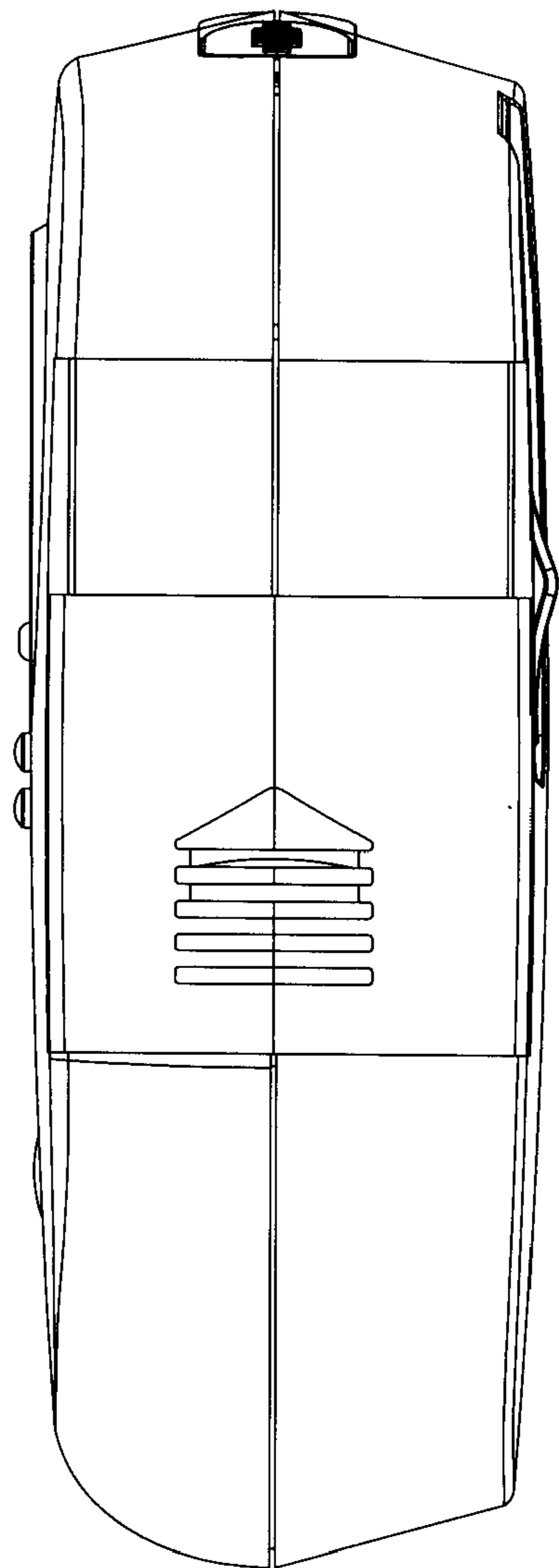


FIG. 3

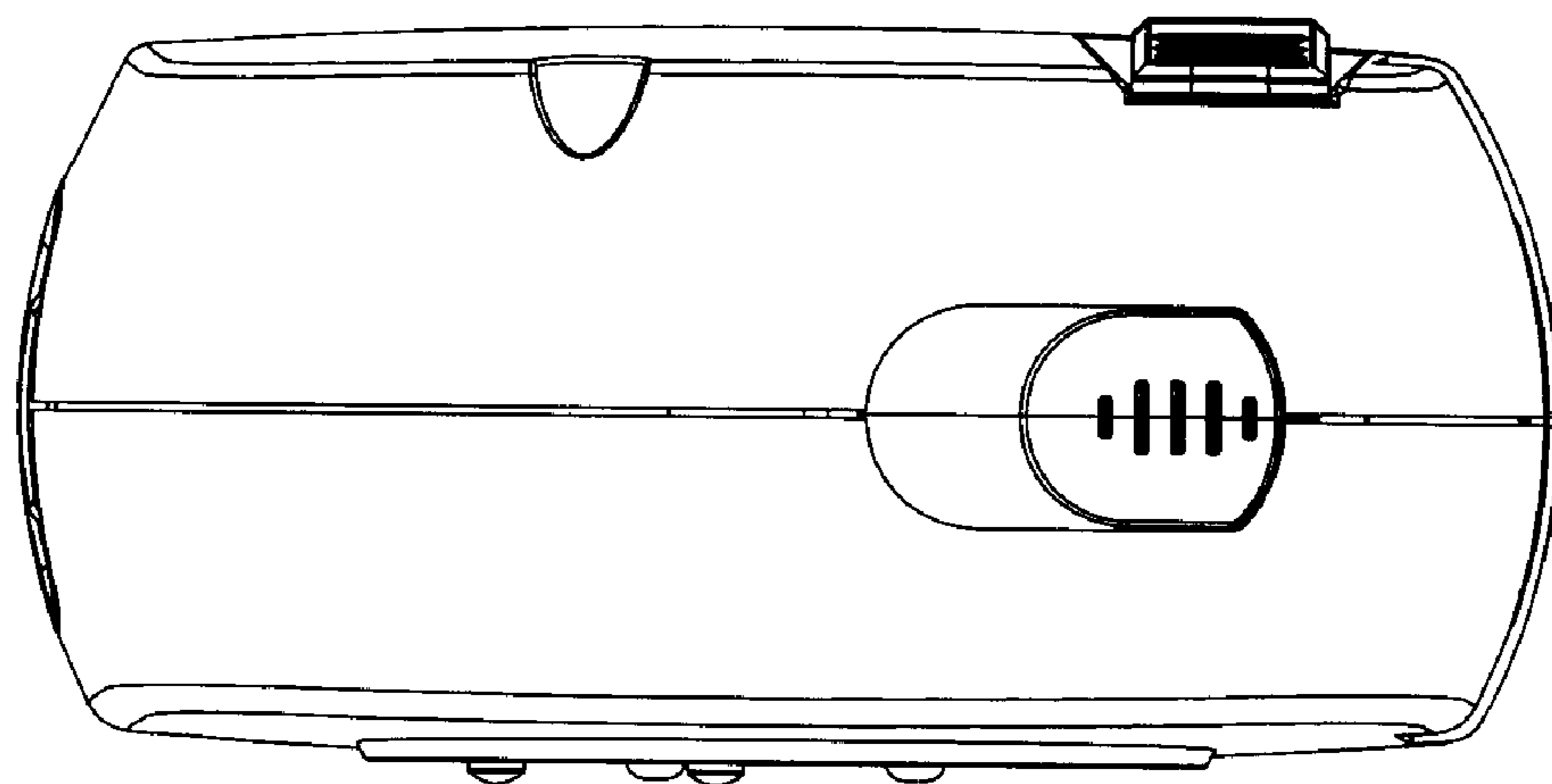


FIG. 4

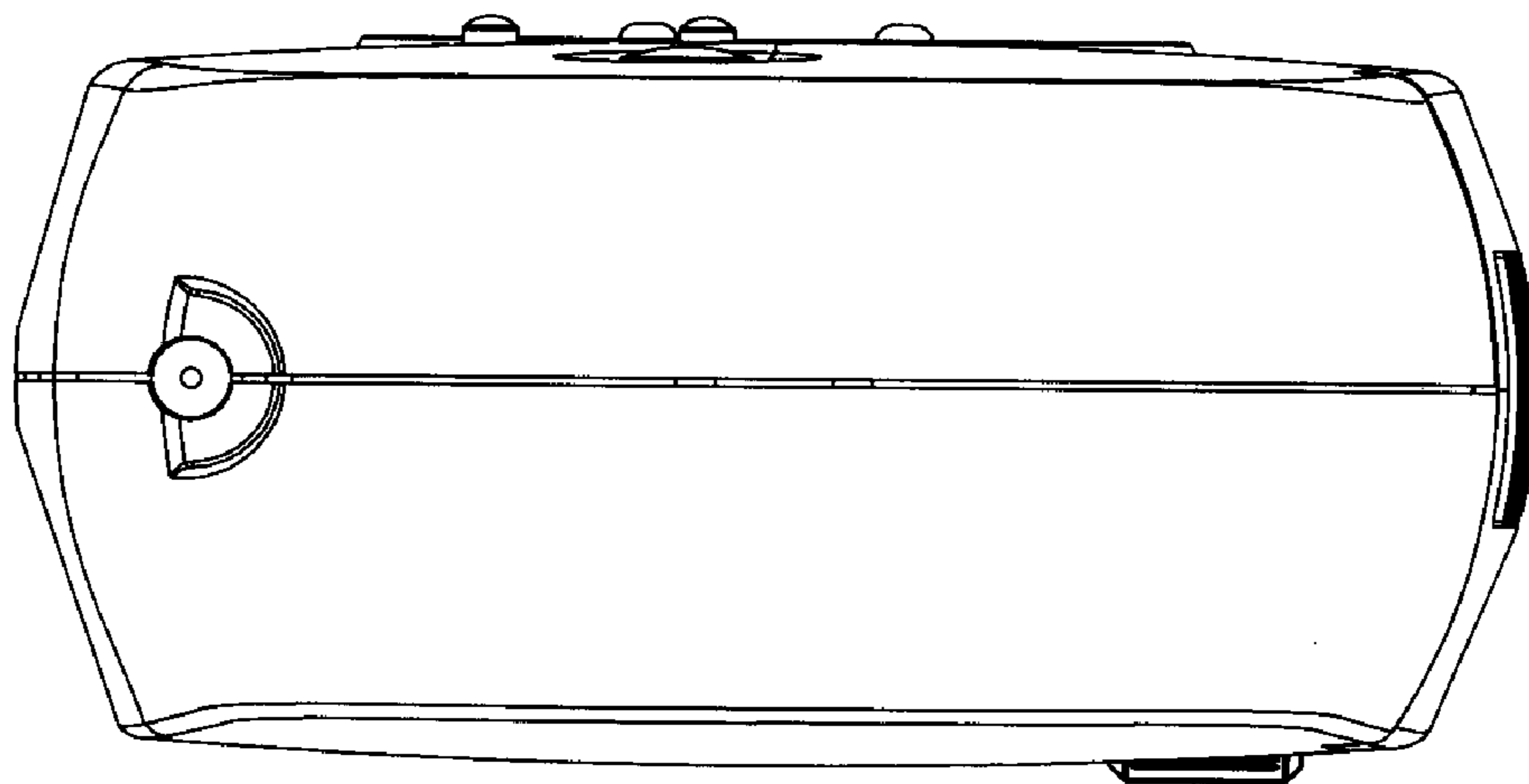


FIG. 5

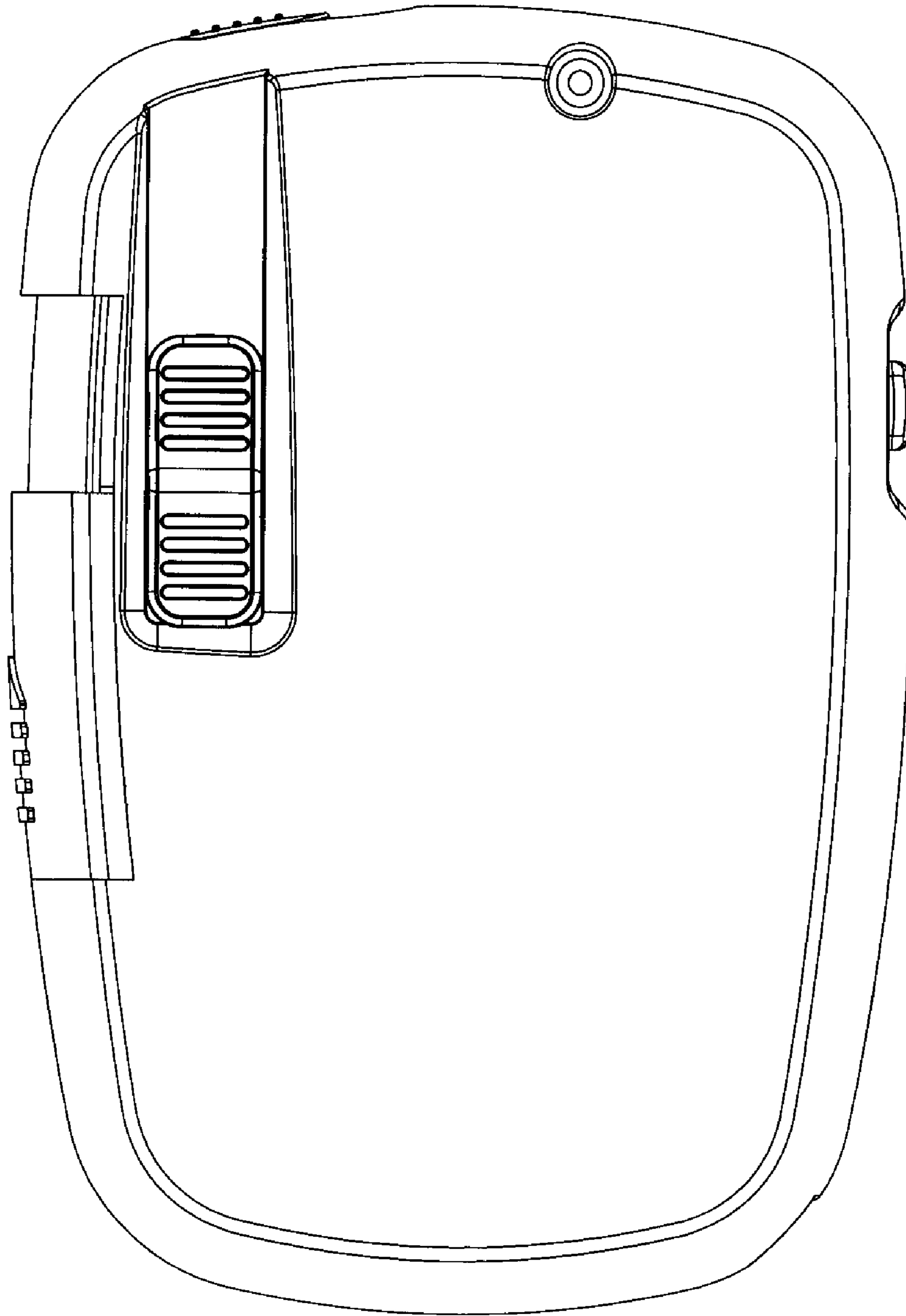


FIG. 6

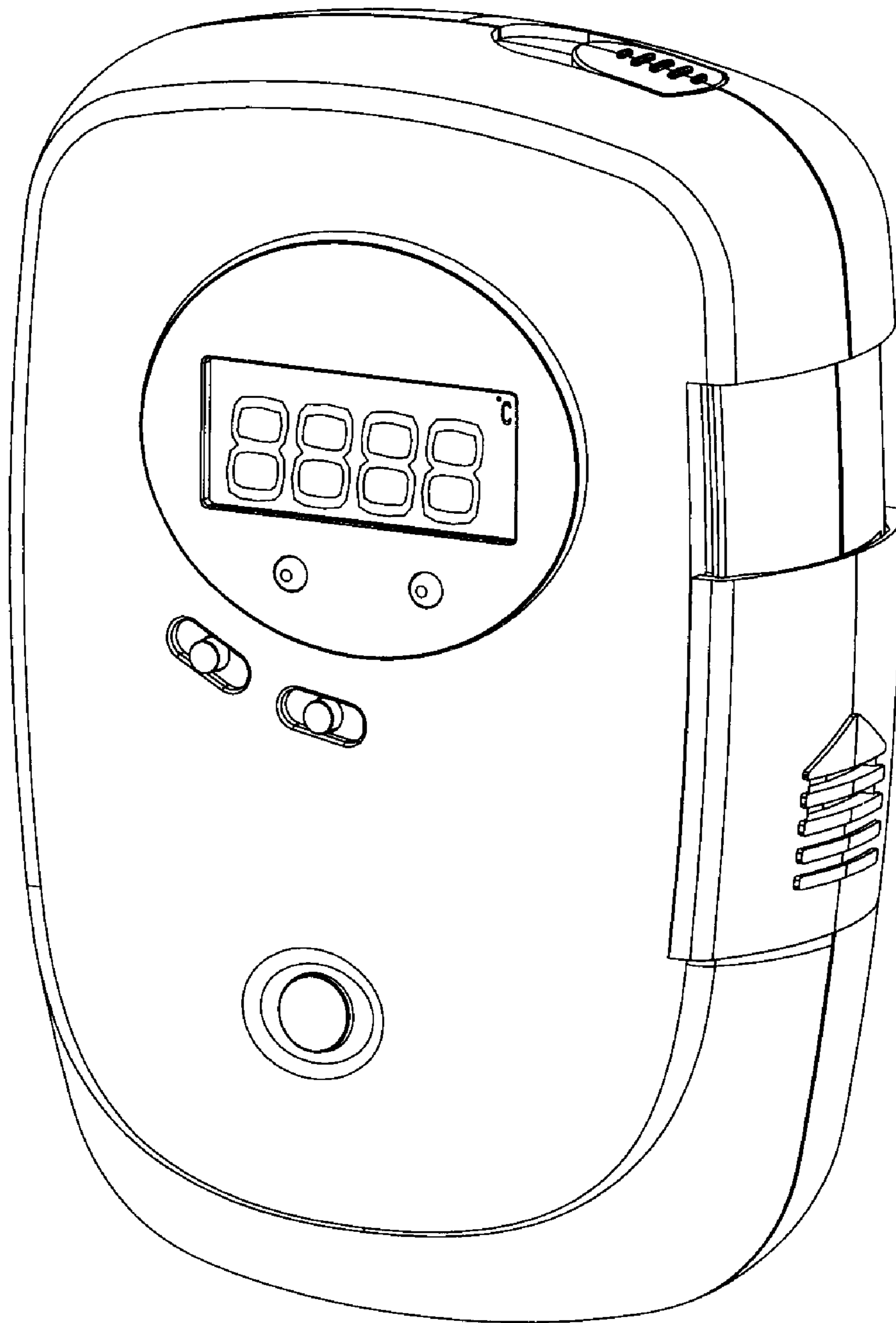


FIG. 7

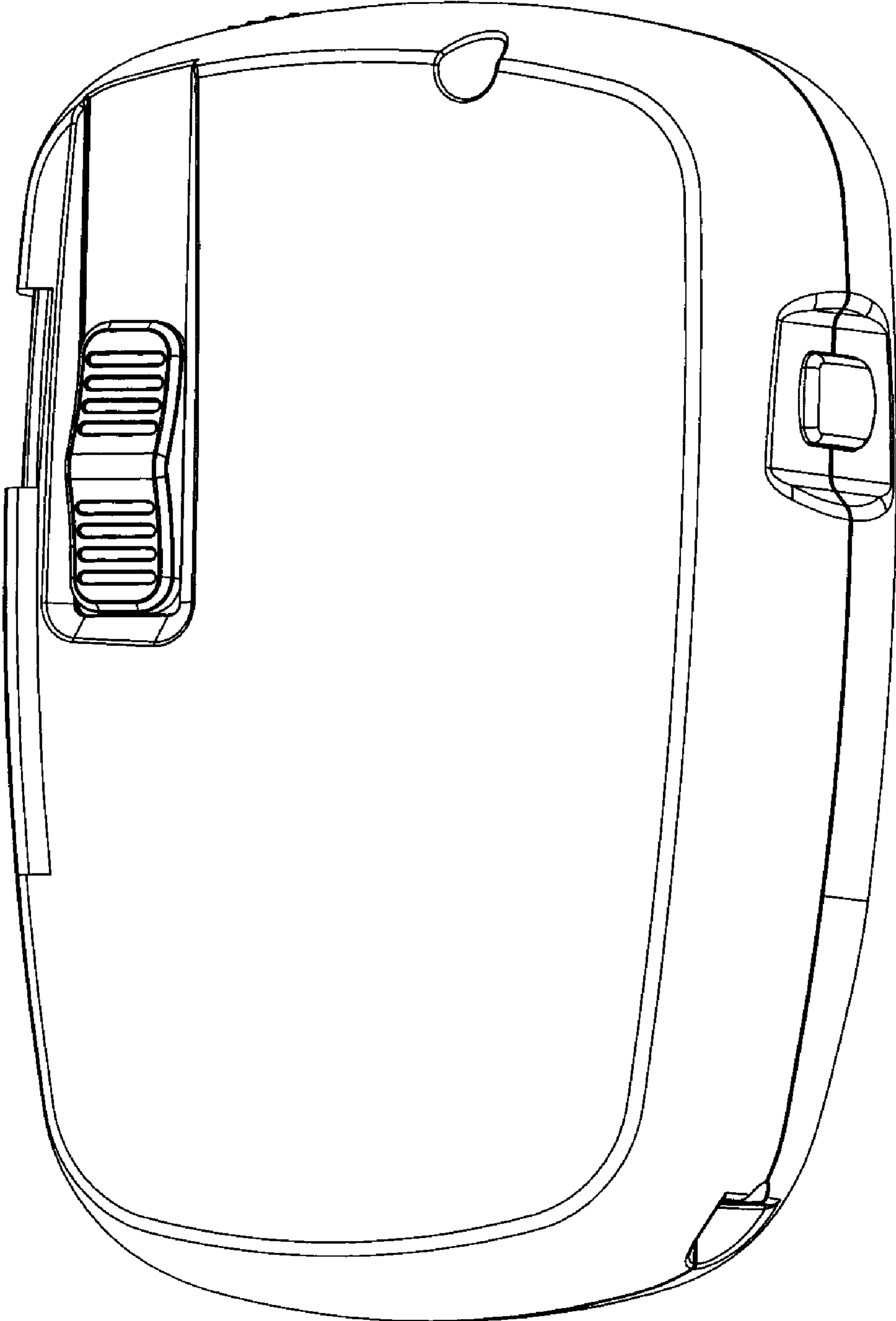


FIG. 8

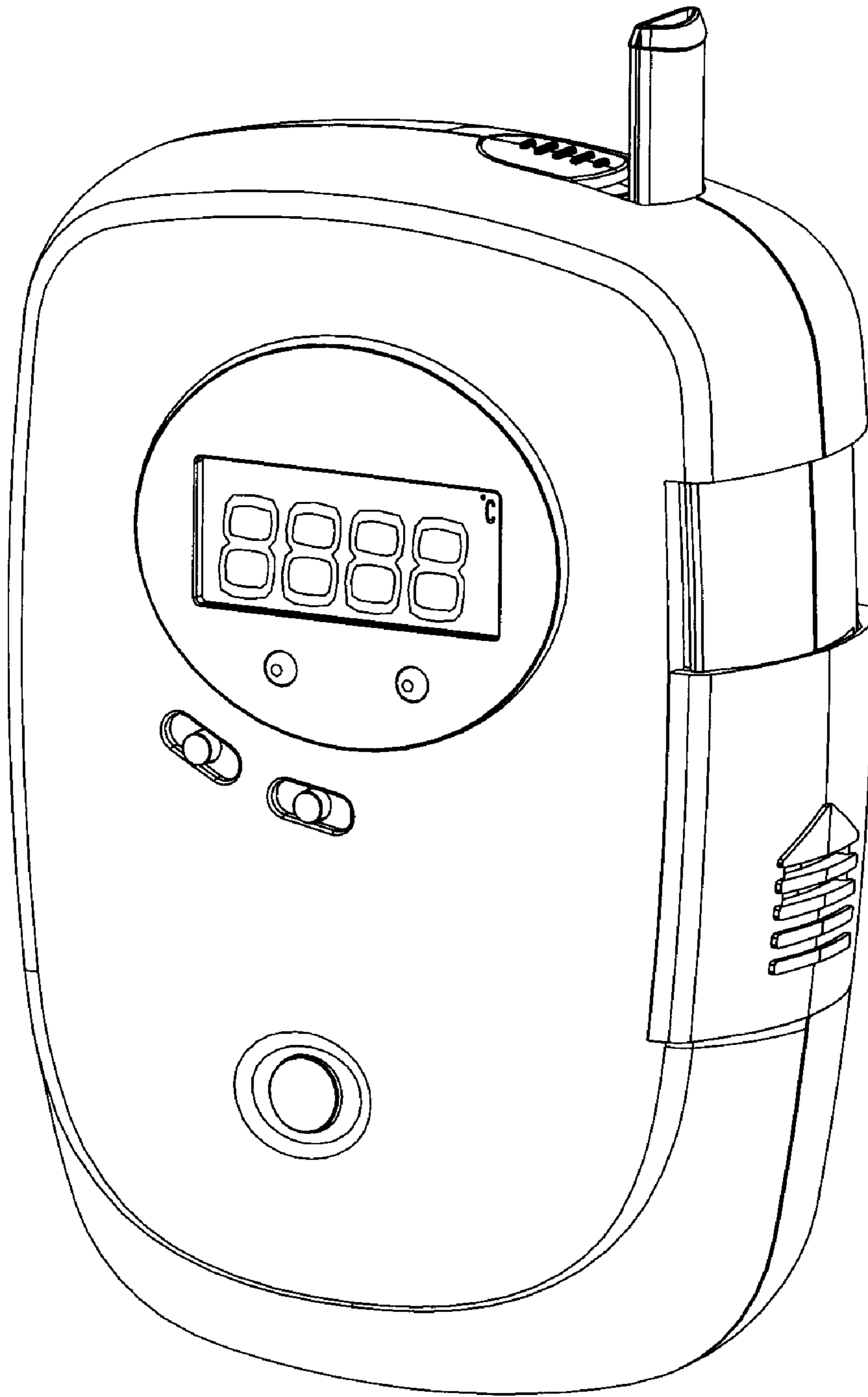


FIG. 9



FIG. 10