



US00D537926S

(12) **United States Design Patent**  
**Sutopo**

(10) **Patent No.:** **US D537,926 S**

(45) **Date of Patent:** **\*\* Mar. 6, 2007**

(54) **SINK**

(75) Inventor: **Elise A. Sutopo**, Sheboygan, WI (US)

(73) Assignee: **Kohler Co.**, Kohler, WI (US)

(\*\*) Term: **14 Years**

(21) Appl. No.: **29/251,371**

(22) Filed: **Jan. 6, 2006**

(51) **LOC (8) Cl.** ..... **23-02**

(52) **U.S. Cl.** ..... **D23/293.1**

(58) **Field of Classification Search** ..... D23/270–271,  
D23/273, 284–287, 291, 293.1, 303, 308;  
4/619, 624–625, 630, 661, DIG. 15; D21/524  
See application file for complete search history.

(56) **References Cited**

**U.S. PATENT DOCUMENTS**

D215,291 S	9/1969	Owings	
D258,680 S	3/1981	Wilson	
D399,933 S	10/1998	Thomas	
D407,149 S	3/1999	Cuttriss	
D439,958 S	4/2001	Golden	
D462,424 S	9/2002	McKeone	
D471,264 S	3/2003	Bennie	
6,574,805 B1 *	6/2003	Liu	4/643
D479,586 S	9/2003	Piatt	
D508,983 S *	8/2005	Piatt	D23/293.1

**OTHER PUBLICATIONS**

Porcher Company website, “Vasque Fontis” sink, Model No. P1466, printed Jan. 6, 2006, [http://www.porcherpro.com/pro\\_produits-fiche.php?ref=P1466](http://www.porcherpro.com/pro_produits-fiche.php?ref=P1466).

Porcher Company website, “Vasque Ovale” sink, Model No. P1452, printed Jan. 6, 2006, [http://www.porcherpro.com/pro\\_produits-fiche.php?ref=P1452](http://www.porcherpro.com/pro_produits-fiche.php?ref=P1452).

Elger Company website. “Barrow Lavatory,” Model No. 051–3390, printed Jan. 6, 2006, <http://www.eljer.com>.

Elger Company website. “Barrow Lavatory,” Model No. 051–3370, printed Jan. 6, 2006, <http://www.eljer.com>.

Moen company website, Moen undercounter sink, printed Jan. 6, 2006, <http://www.moen.com/pressroom/downloadimage.cfm?image=http://%3A%2F%2Fwww%2Emoenvisionary%2Ecom%2Fimage%2F512%2Fpr5992%5FI%2Ejpg&fileType=Photo>.

\* cited by examiner

*Primary Examiner*—Robert A. Delehanty

(74) *Attorney, Agent, or Firm*—Quarles & Brady LLP

(57) **CLAIM**

The ornamental design for a sink, as shown and described.

**DESCRIPTION**

In a preferred embodiment, the nature of this product is as a plumbing fixture primarily useful for washing various objects.

FIG. 1 is a right, top, front perspective view of a sink according to my new design;

FIG. 2 is a top plan view thereof;

FIG. 3 is a front elevational view thereof;

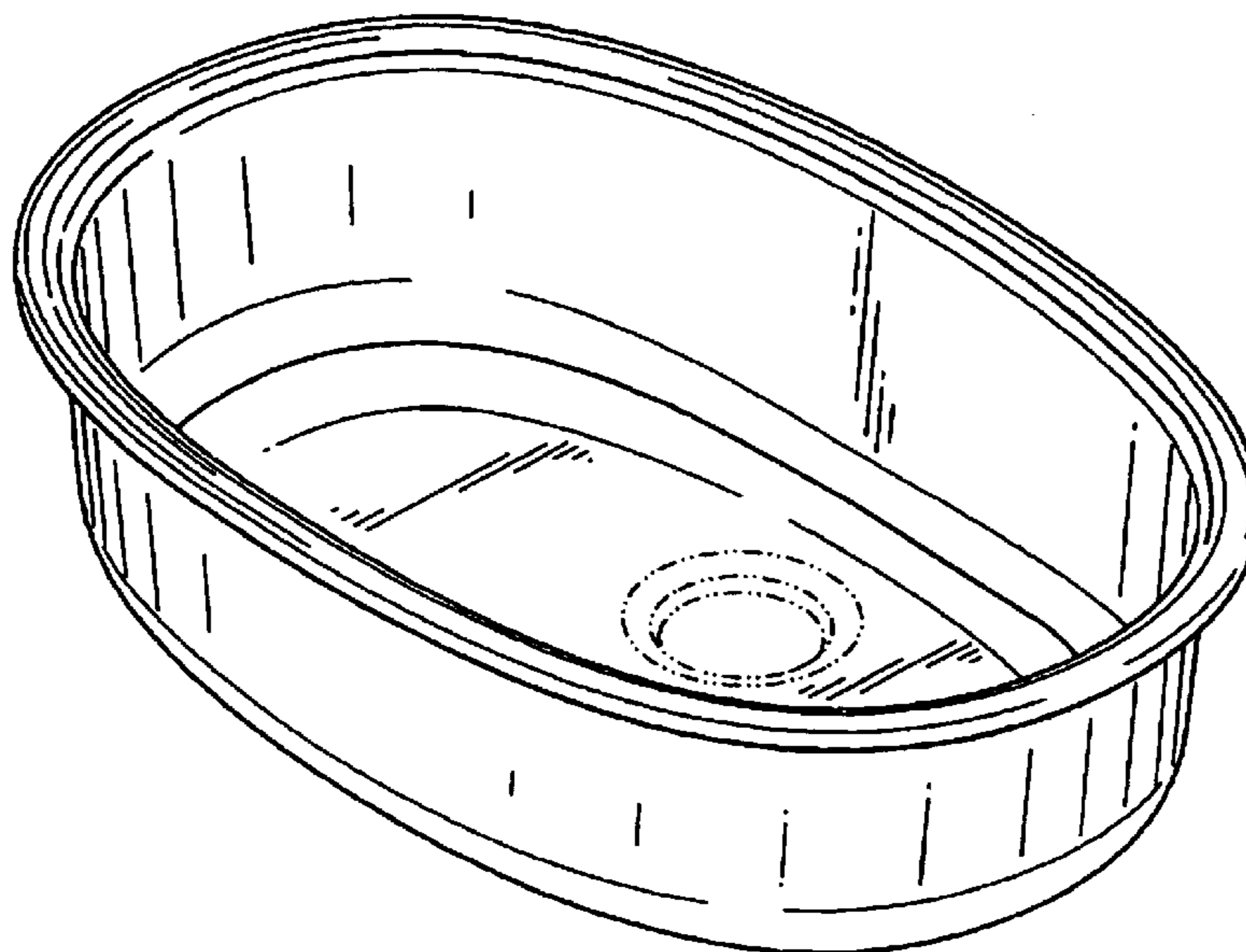
FIG. 4 is a right side elevational view thereof, the left side elevational view thereof being a mirror image of the right side shown;

FIG. 5 is a rear elevational view thereof; and,

FIG. 6 is a bottom plan view thereof.

The broken line representations of drain structure in the figures are for the purpose of illustration only, and form no part of the claimed design.

**1 Claim, 3 Drawing Sheets**



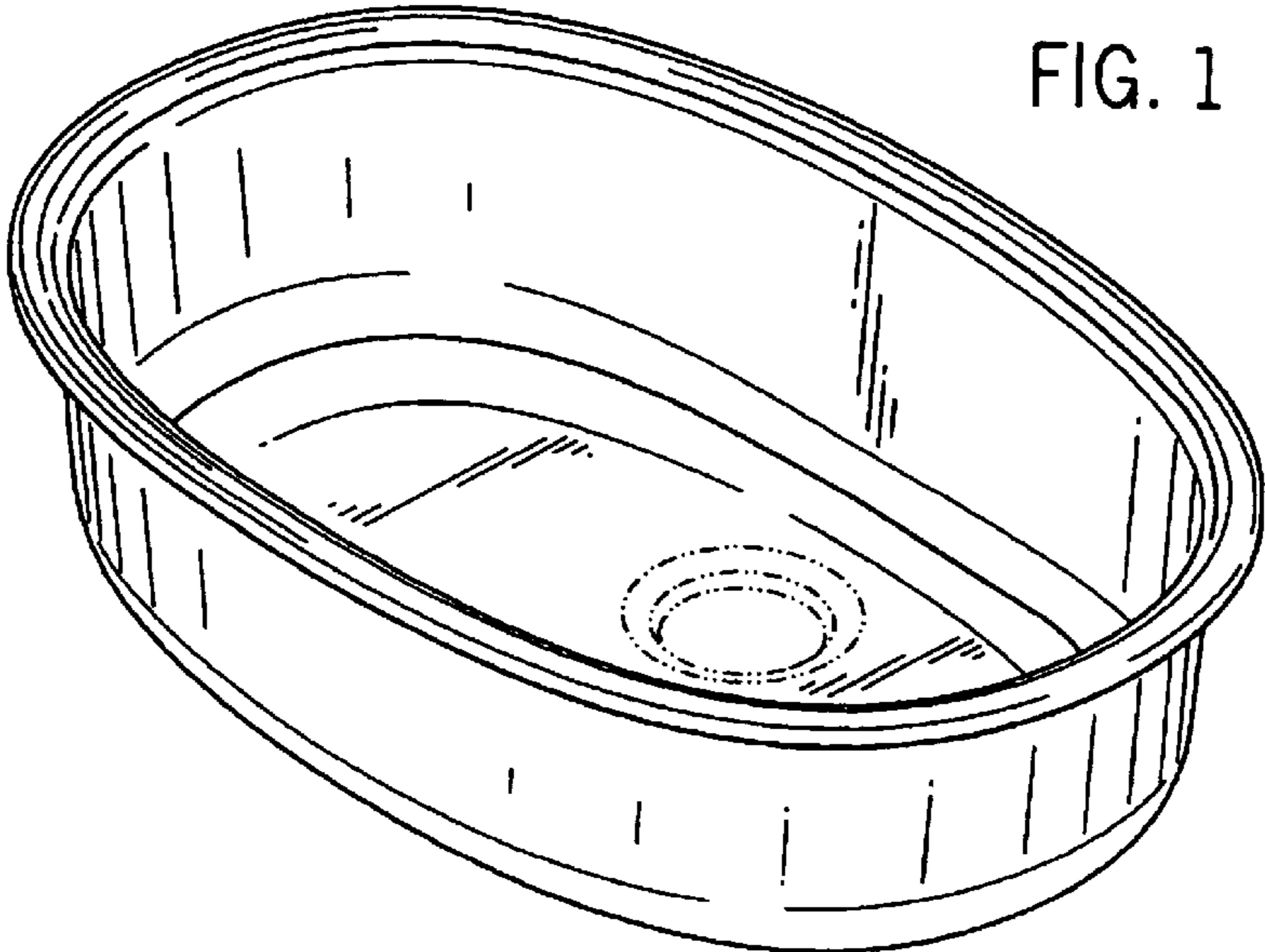


FIG. 1

FIG. 2

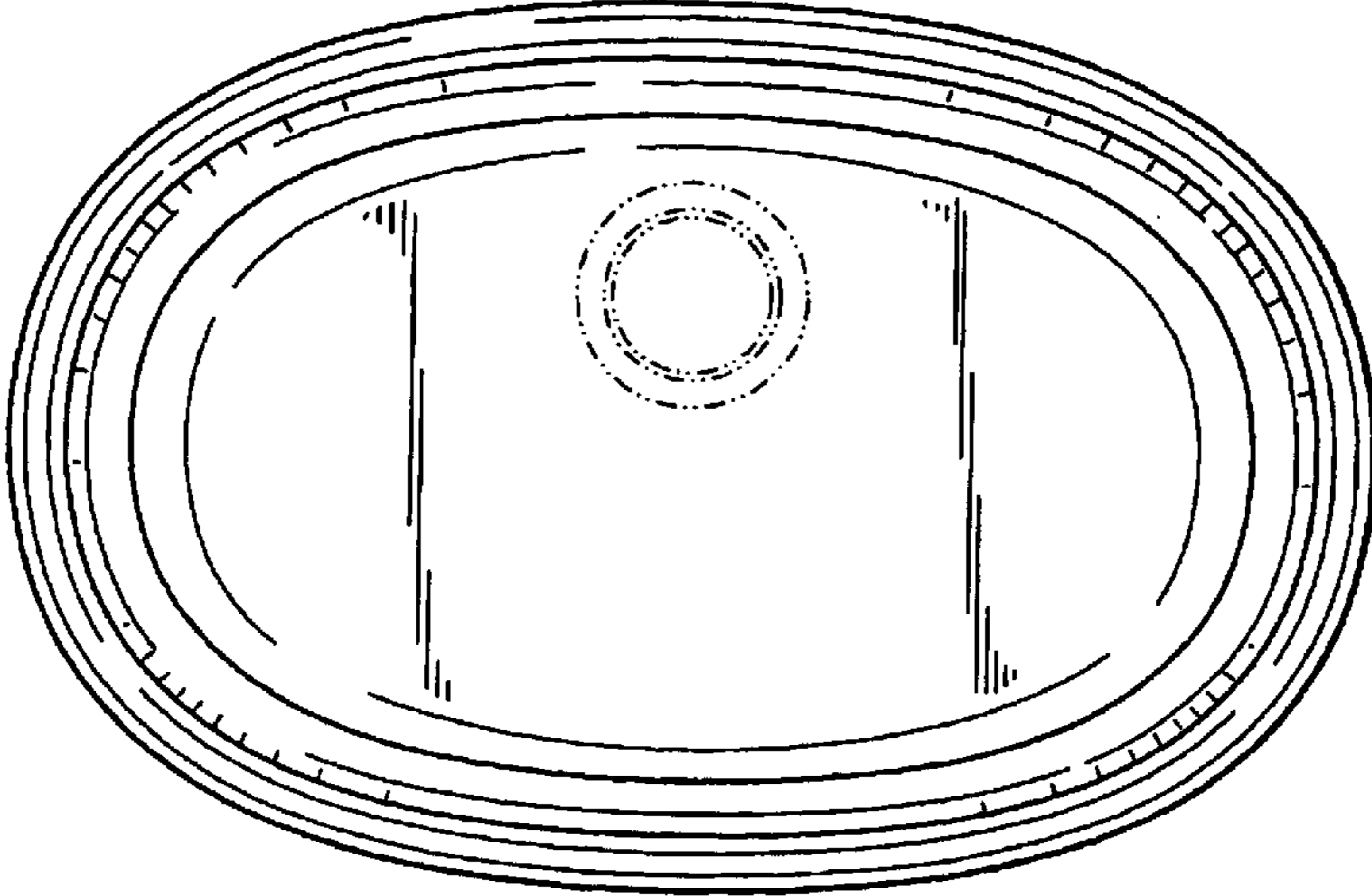


FIG. 3

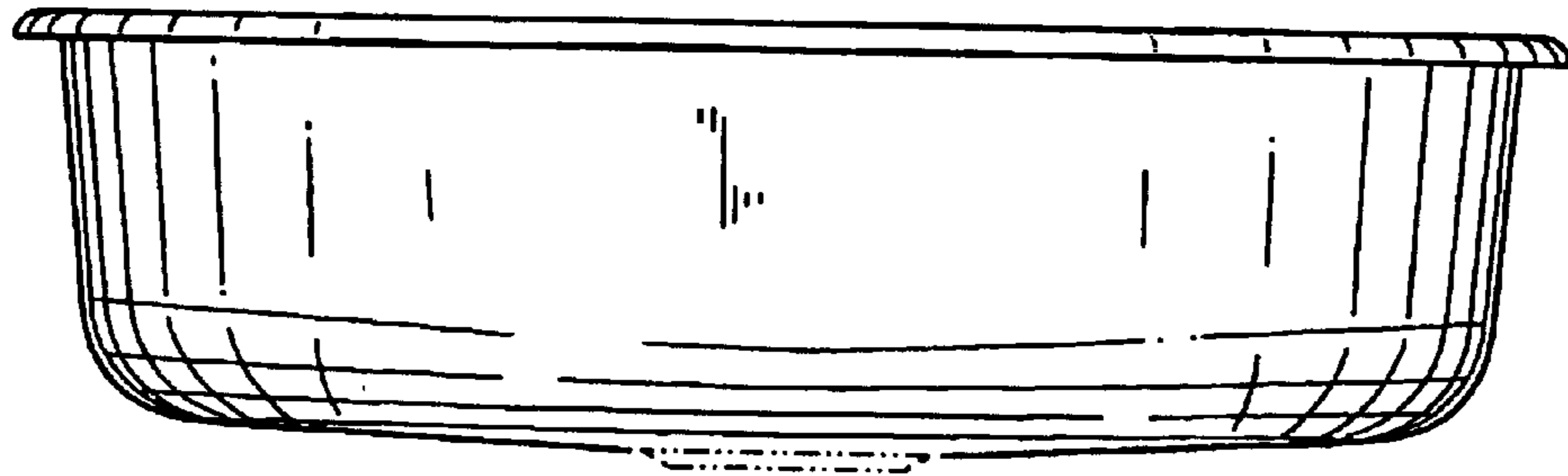


FIG. 4

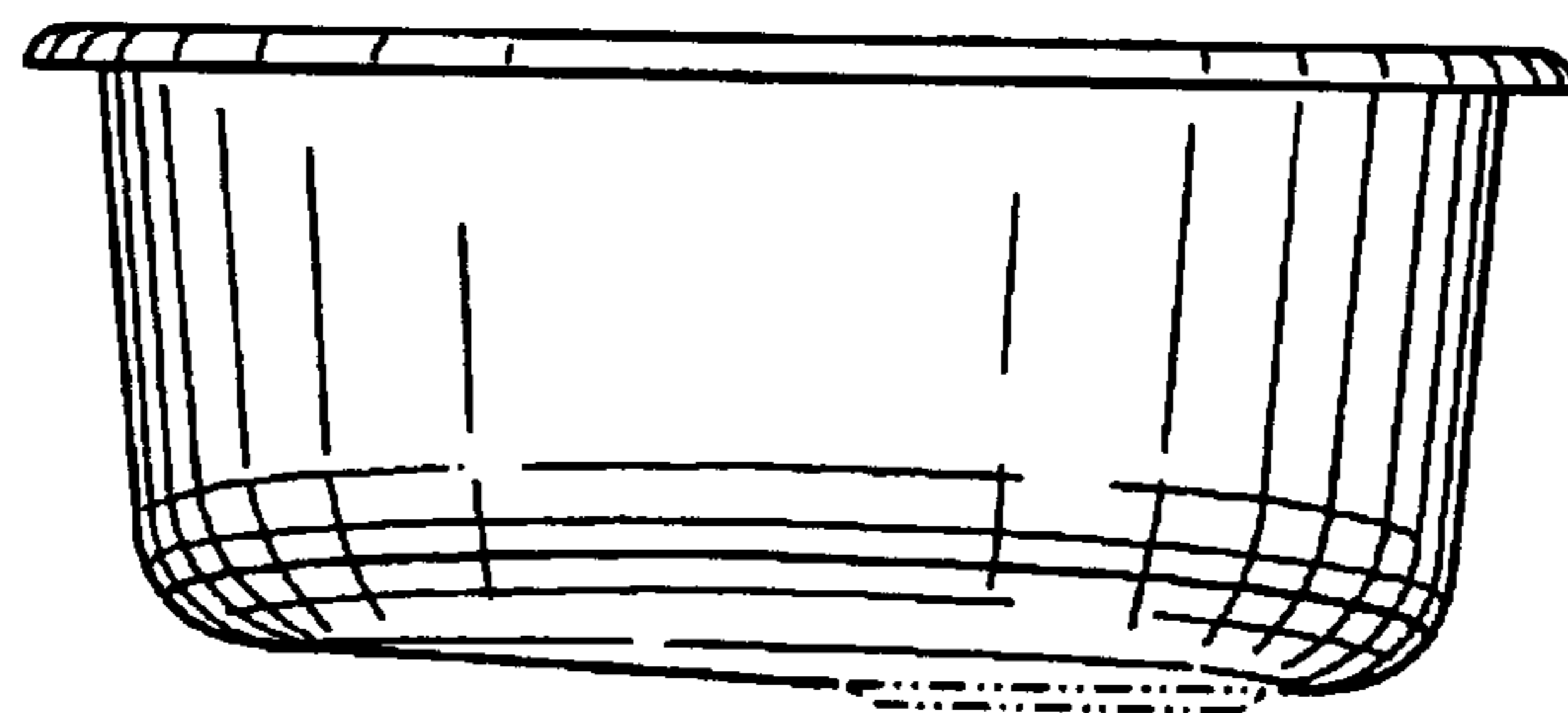


FIG. 5

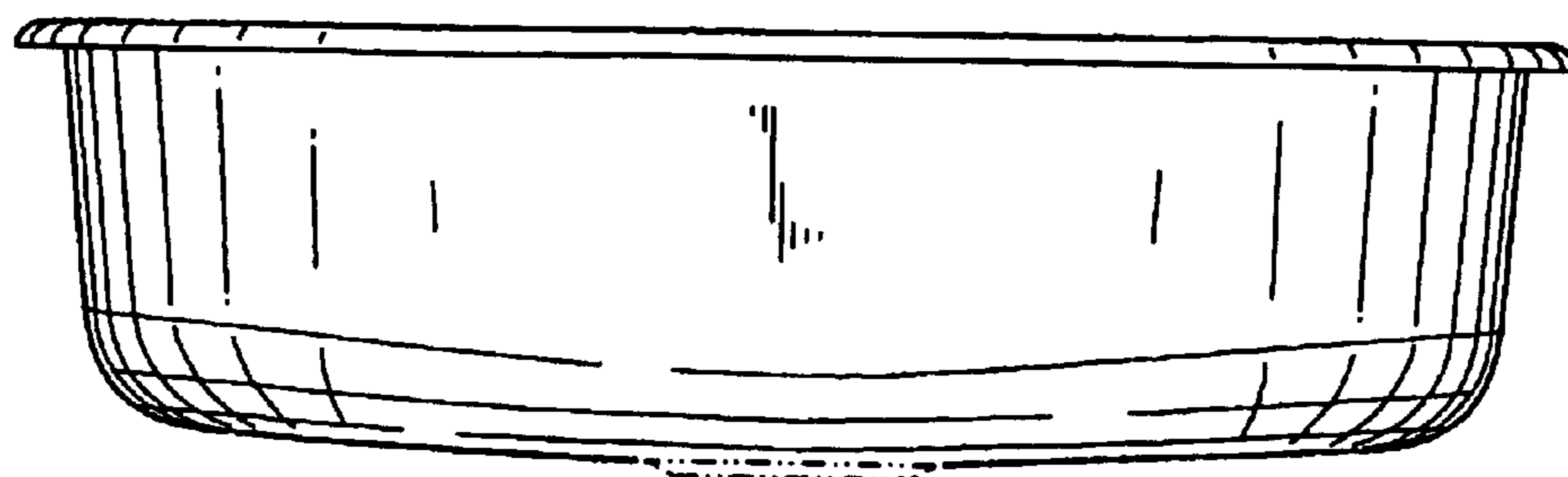


FIG. 6

