



US00D537925S

(12) **United States Design Patent**
Mahon

(10) **Patent No.:** **US D537,925 S**

(45) **Date of Patent:** **** Mar. 6, 2007**

(54) **SINK**

(75) Inventor: **Terrence K. Mahon**, Whitefish Bay, WI (US)

(73) Assignee: **Kohler Co.**, Kohler, WI (US)

(**) Term: **14 Years**

(21) Appl. No.: **29/242,189**

(22) Filed: **Nov. 7, 2005**

(51) **LOC (8) Cl.** **23-02**

(52) **U.S. Cl.** **D23/293.1**

(58) **Field of Classification Search** D23/270–271, D23/273, 284–287, 291, 293.1, 303, 308; 4/619, 624–625, 630, 661, DIG. 15; D21/524
See application file for complete search history.

(56) **References Cited**

U.S. PATENT DOCUMENTS

D218,606 S * 9/1970 Lien D23/284

OTHER PUBLICATIONS

FixtureUniverse.com website, Kohler Model No. 3208–3 “Ballad—Utility Sink,” “http://www.fixtureuniverse.com/images/products/large_image/koh_pn003567_1.jpg,” printed Nov. 7, 2005.
Kohler Co., 2004 K–700 Design Manual, Model No. K–5863–4–NG “Cape Dory—Self-Rimming Kitchen Sink,” p. 15.25.

Kohler Co., 2004 K–700 Design Manual, Model No. K–3158–NA “Poise—Single-Basin Undercounter Kitchen Sink,” p. 15.38.

* cited by examiner

Primary Examiner—Robert A. Delehanty

(74) *Attorney, Agent, or Firm*—Quarles & Brady LLP

(57) **CLAIM**

The ornamental design for a sink, as shown and described.

DESCRIPTION

In a preferred embodiment, the nature of this product is as a plumbing fixture primarily useful for washing various objects.

FIG. 1 is a right, top, front perspective view of a sink according to my new design;

FIG. 2 is a top plan view thereof;

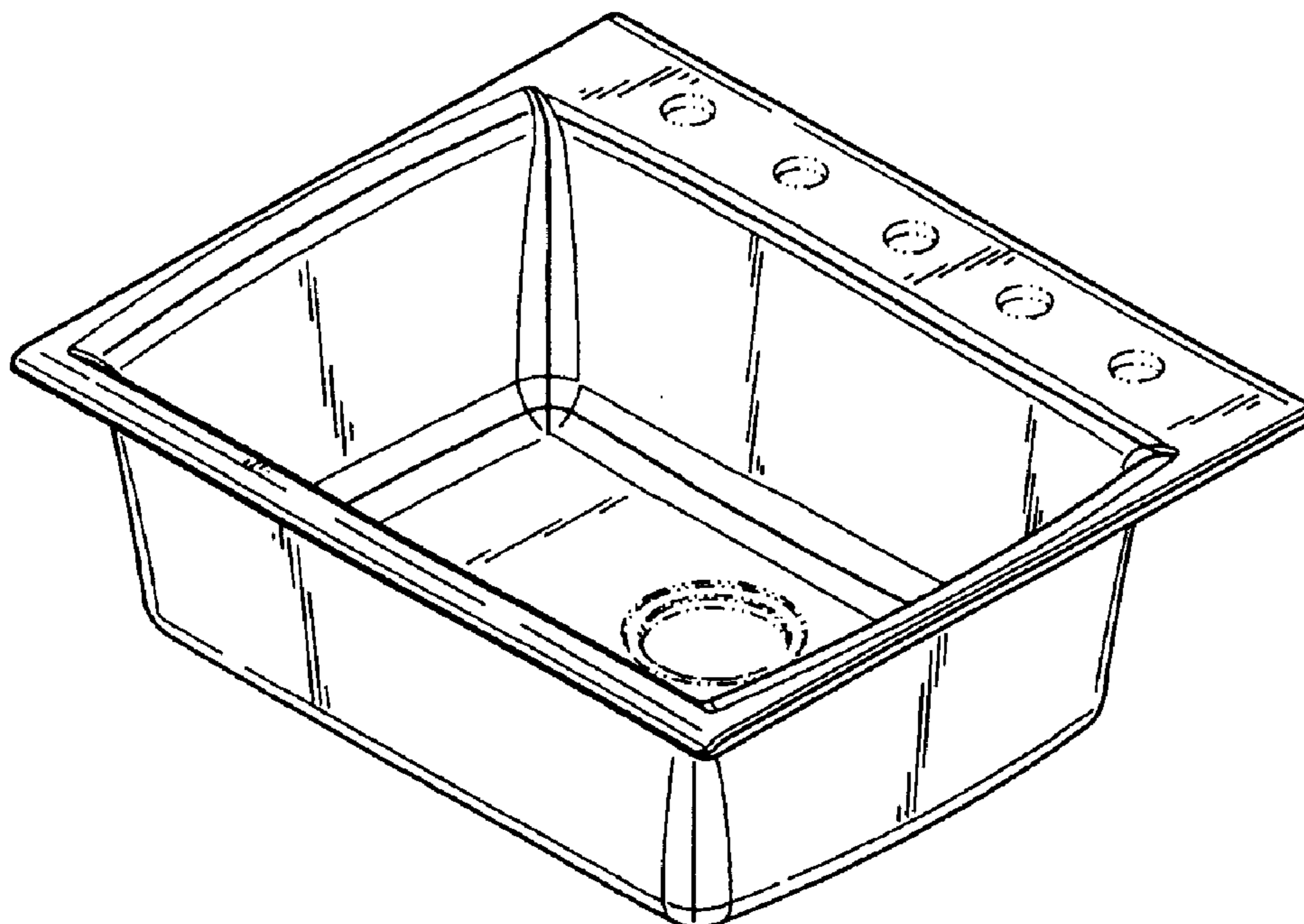
FIG. 3 is a front elevational view thereof, the rear elevational view thereof being a mirror image of the front elevational view shown;

FIG. 4 is a right side elevational view thereof, the left side elevational view thereof being a mirror image of the right side shown; and,

FIG. 5 is a bottom plan view thereof.

The broken line representations of drain structure in the figures and mounting holes in FIGS. 1, 2 and 5 are for the purpose of illustration only, and form no part of the claimed design.

1 Claim, 2 Drawing Sheets



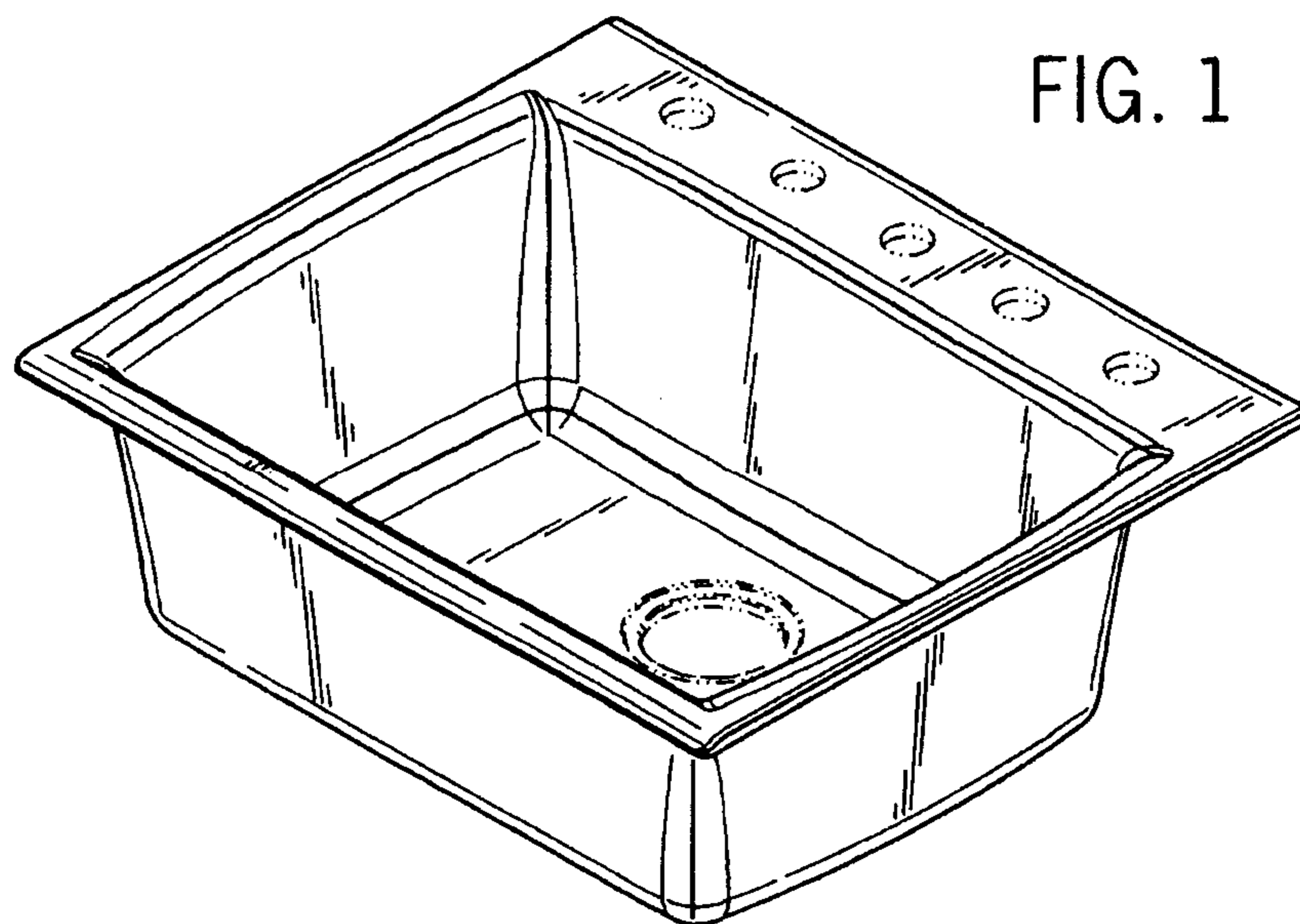


FIG. 1

FIG. 2

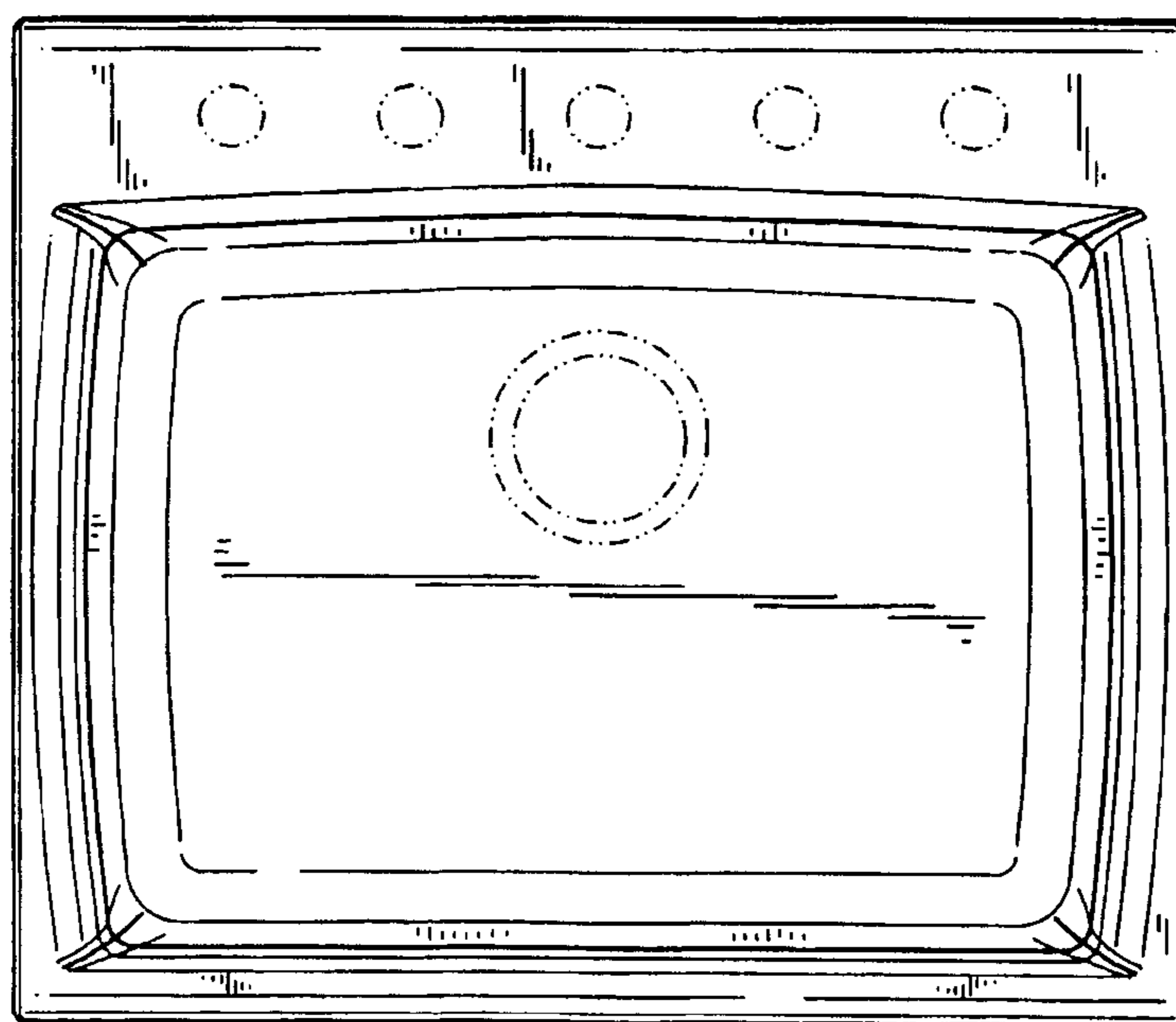


FIG. 3

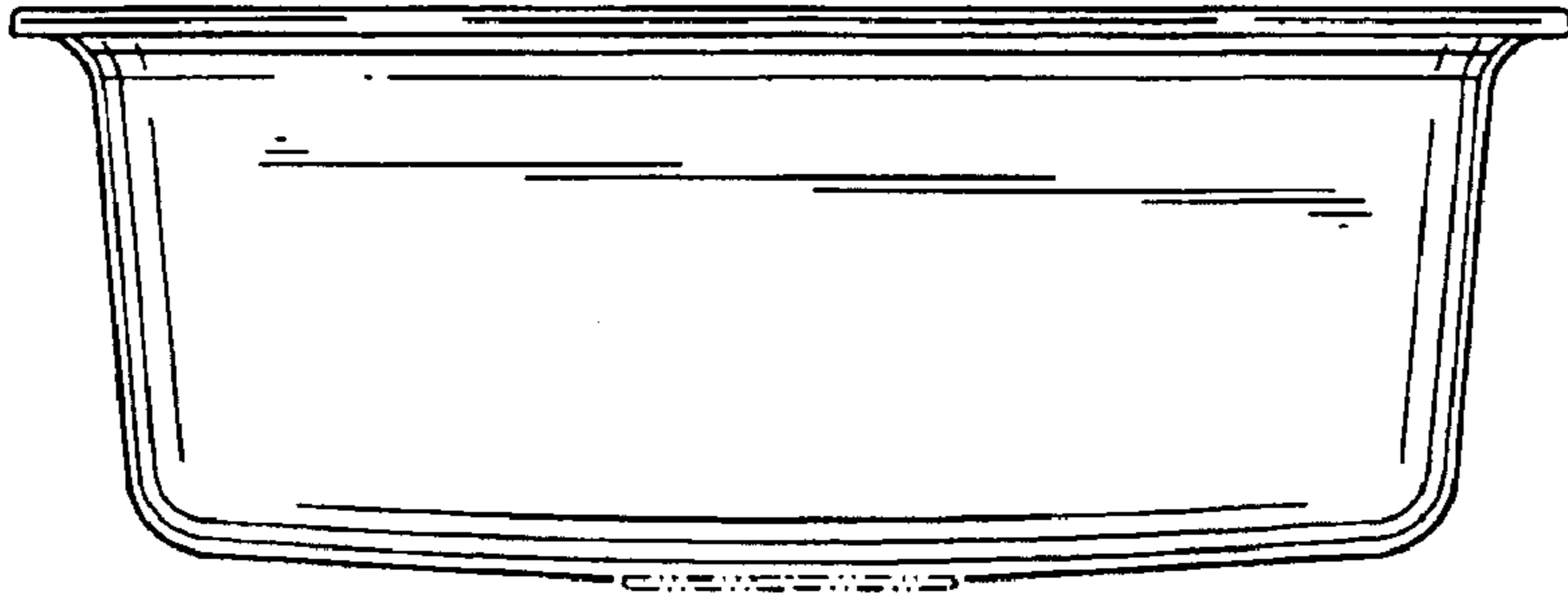


FIG. 4

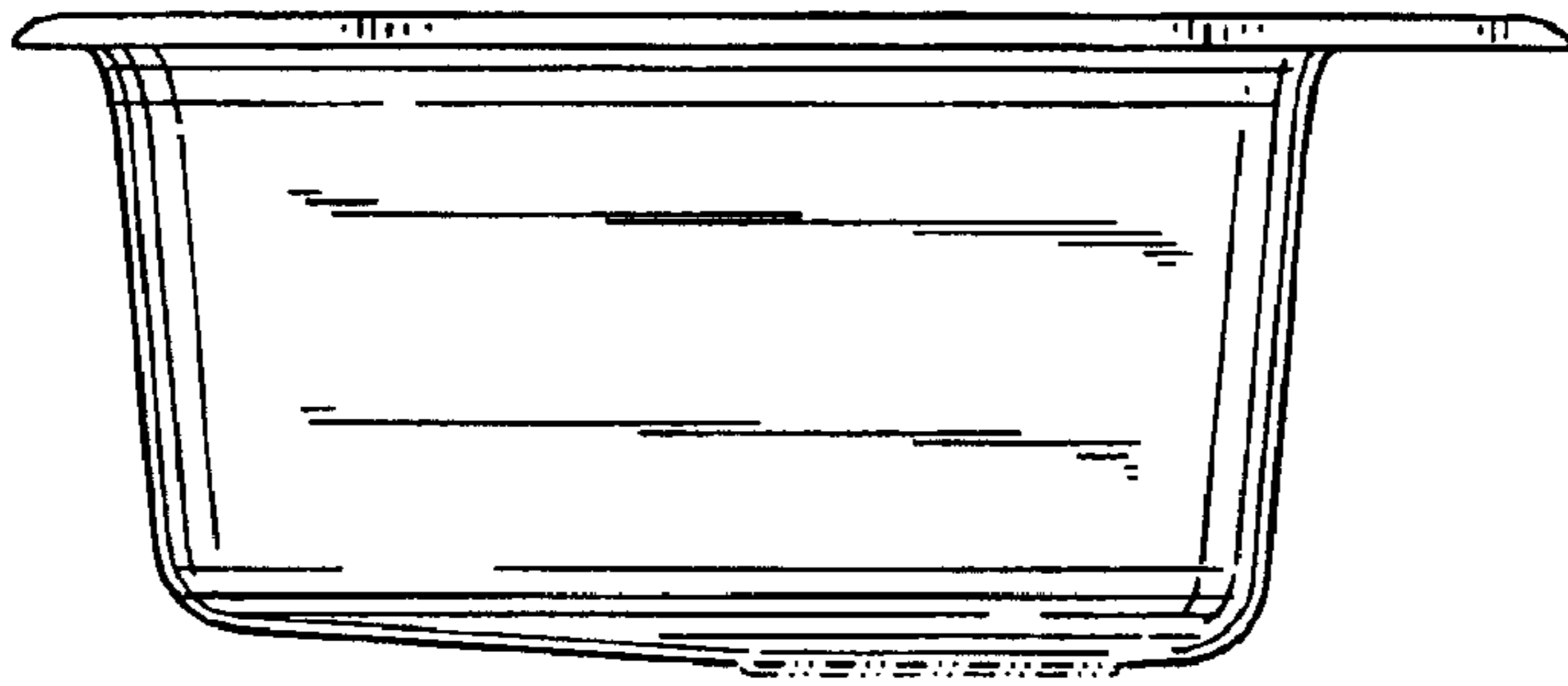


FIG. 5

