



US00D537923S

(12) **United States Design Patent**
Bates

(10) **Patent No.:** **US D537,923 S**

(45) **Date of Patent:** **** Mar. 6, 2007**

(54) **LAVATORY**

(75) Inventor: **Michael R. Bates**, Sheboygan, WI (US)

(73) Assignee: **Kohler Co.**, Kohler, WI (US)

(**) Term: **14 Years**

(21) Appl. No.: **29/242,186**

(22) Filed: **Nov. 7, 2005**

(51) **LOC (8) Cl.** **23-02**

(52) **U.S. Cl.** **D23/293.1**

(58) **Field of Classification Search** D23/270–271,
D23/273, 284–287, 291, 293.1, 303, 308;
4/619, 624–625, 630, 661, DIG. 15; D21/524
See application file for complete search history.

(56) **References Cited**

U.S. PATENT DOCUMENTS

D416,991 S * 11/1999 Caplow D23/284
D437,035 S 1/2001 Roberts
D507,044 S * 7/2005 Sutopo D23/293.1

OTHER PUBLICATIONS

Toto Company catalog: Augusta Decorative Collection,
Model No. LT781.8 “Baldwin Self-Rimming Lavatory,” No
date specified.

* cited by examiner

Primary Examiner—Robert A. Delehanty

(74) *Attorney, Agent, or Firm*—Quarles & Brady LLP

(57) **CLAIM**

The ornamental design for a lavatory, as shown and described.

DESCRIPTION

In a preferred embodiment, the nature of this product is as a plumbing fixture primarily useful for washing various objects.

FIG. 1 is a right, top, front perspective view of a lavatory according to my new design;

FIG. 2 is a top plan view thereof;

FIG. 3 is a front elevational view thereof;

FIG. 4 is a right side elevational view thereof, the left side elevational view thereof being a mirror image of the right side shown;

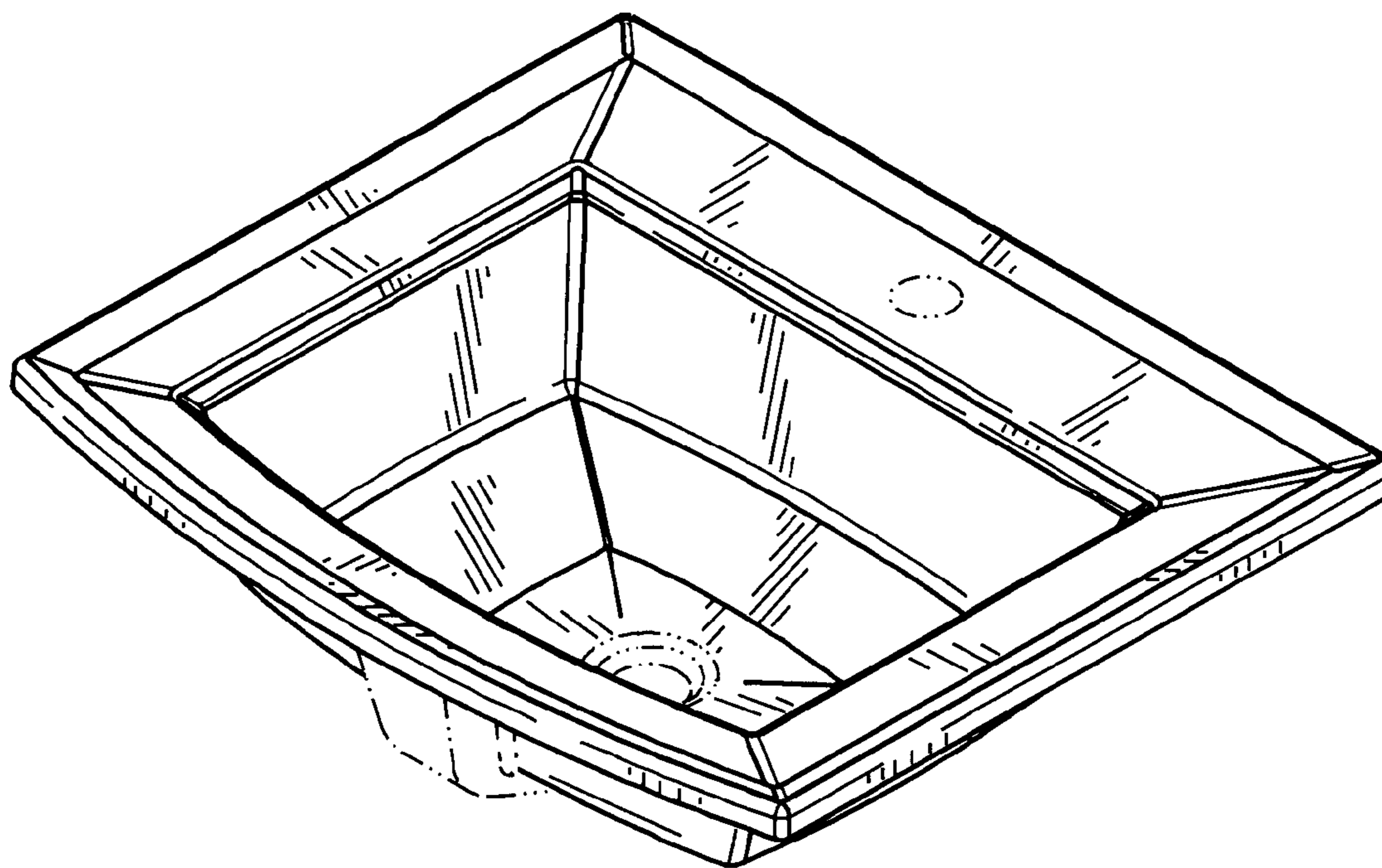
FIG. 5 is a rear elevational view thereof;

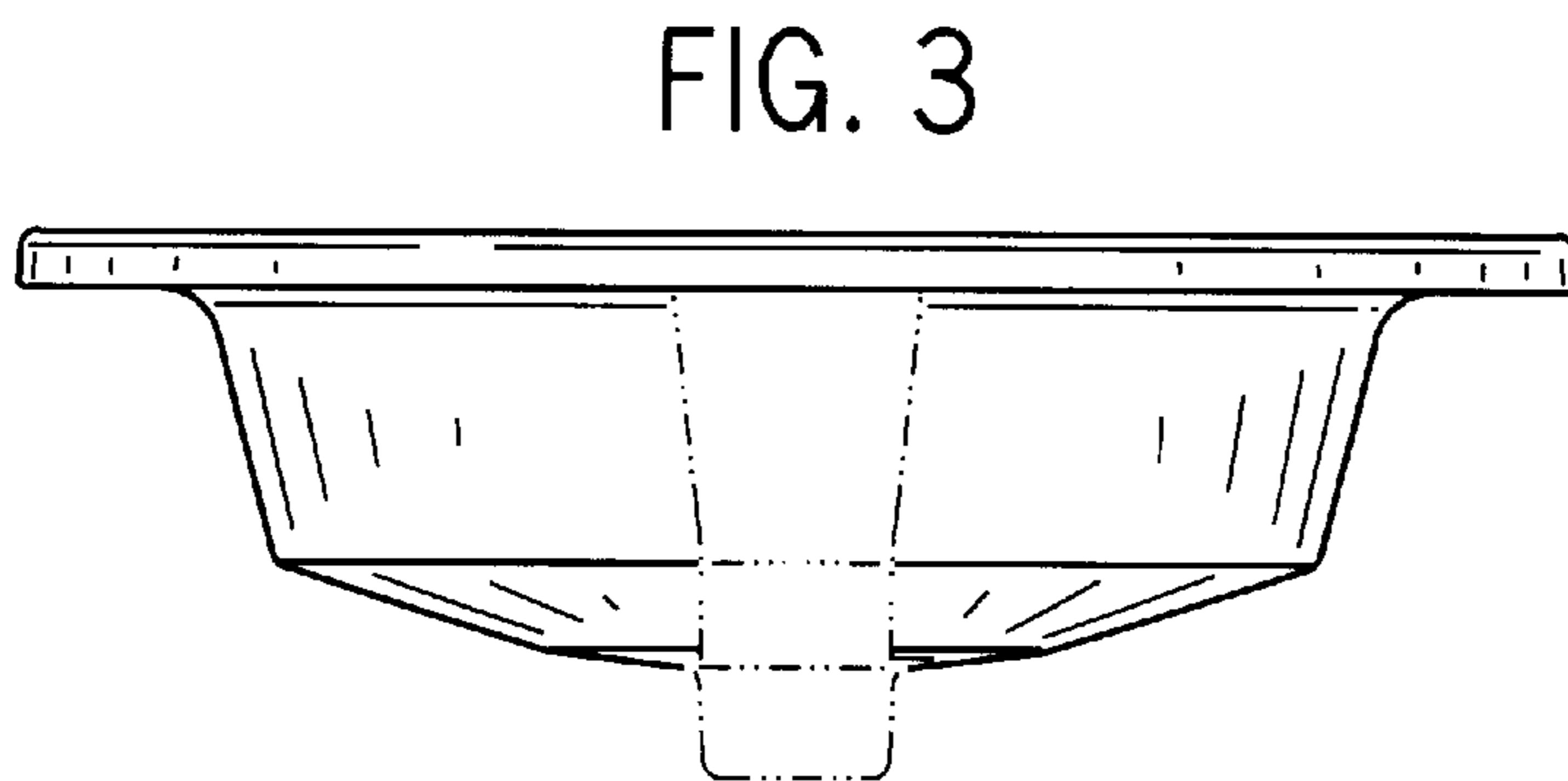
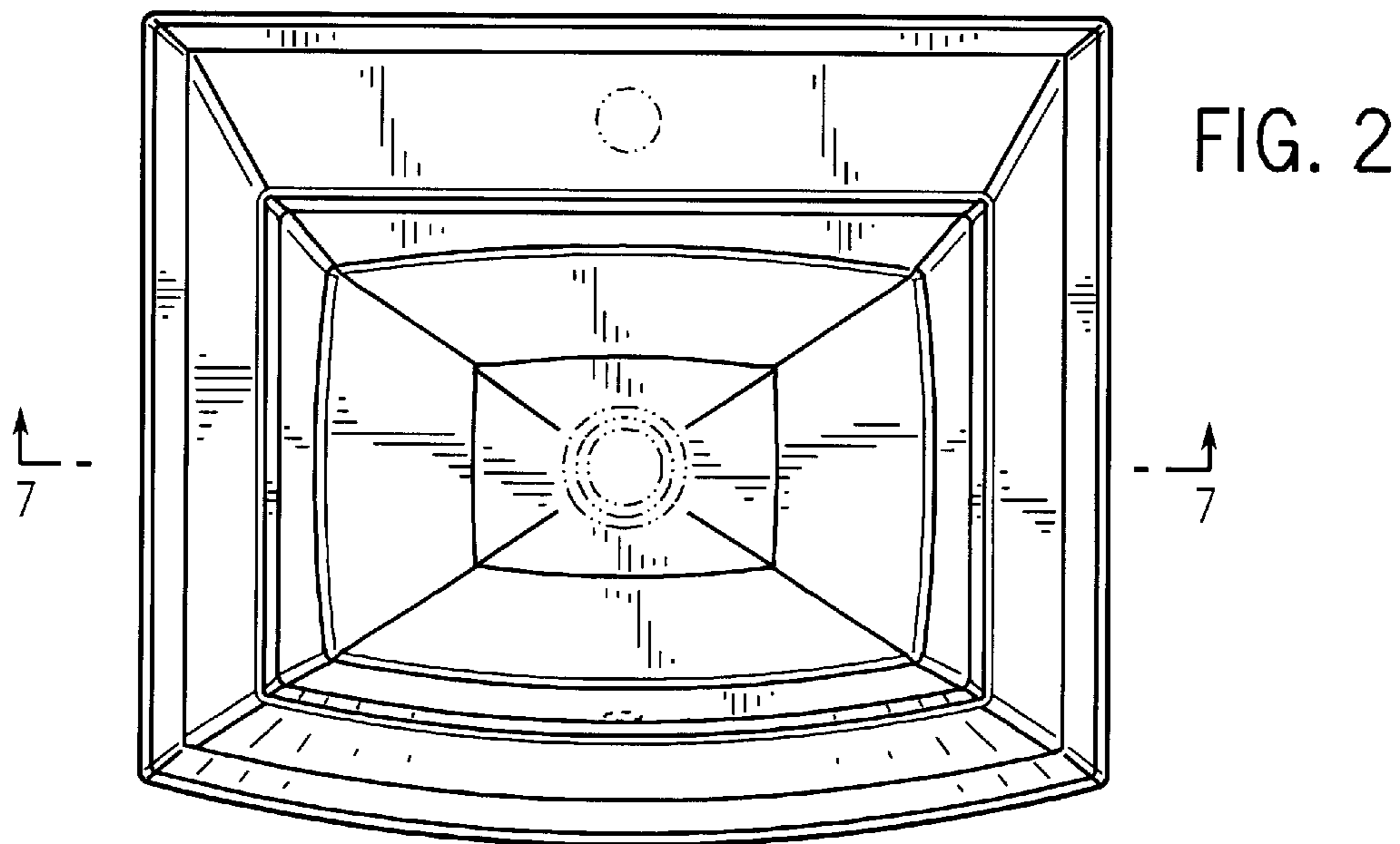
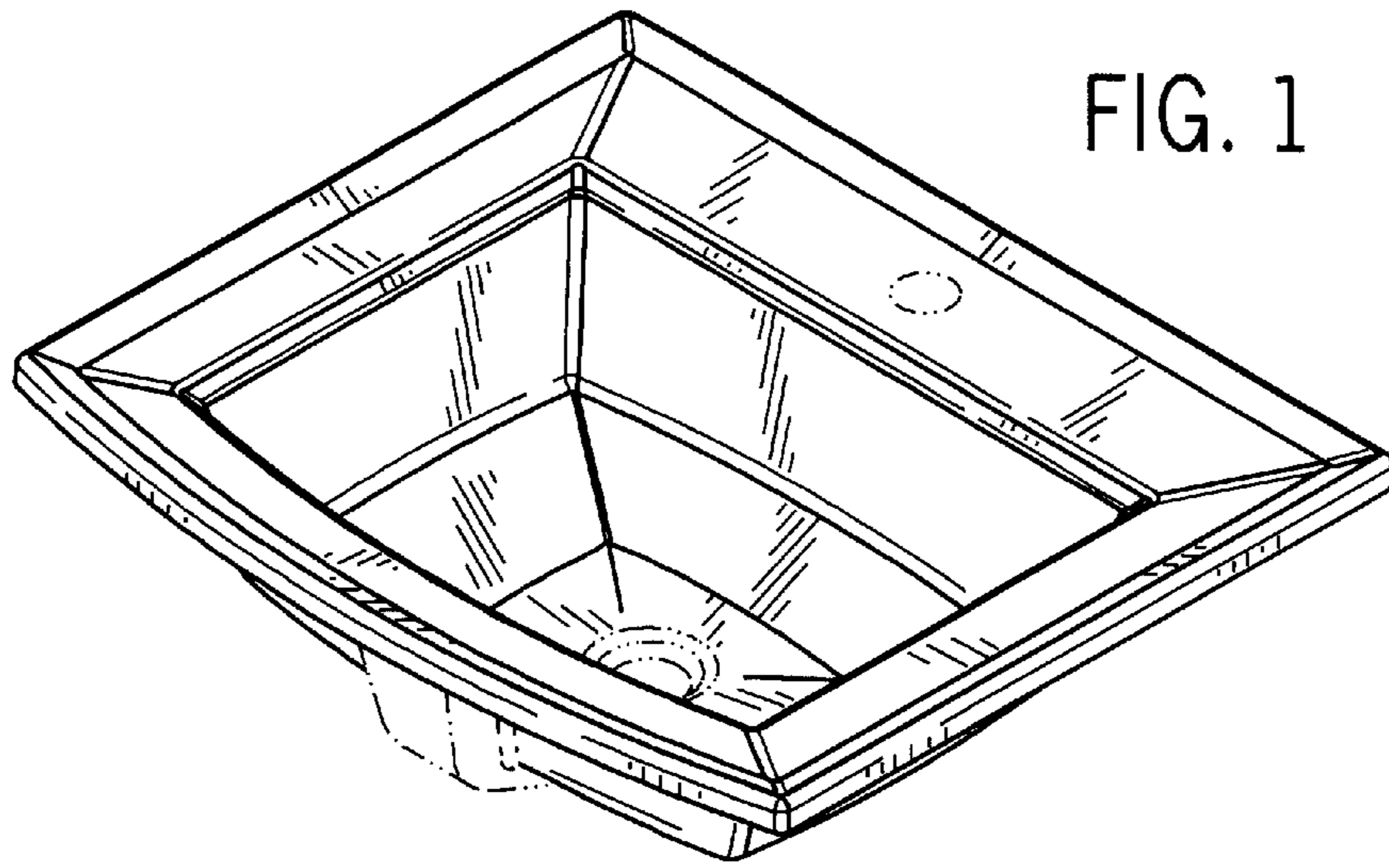
FIG. 6 is a bottom plan view thereof; and,

FIG. 7 is a front sectional view thereof take along line 7—7 of FIG. 2.

The broken line representations of drain structure in the figures, overflow structure in FIGS. 1, 3, 4 and 6, a mounting hole in FIGS. 1, 2 and 6, and underside perimeter structure in FIG. 6 are for the purpose of illustration only, and form no part of the claimed design.

1 Claim, 3 Drawing Sheets





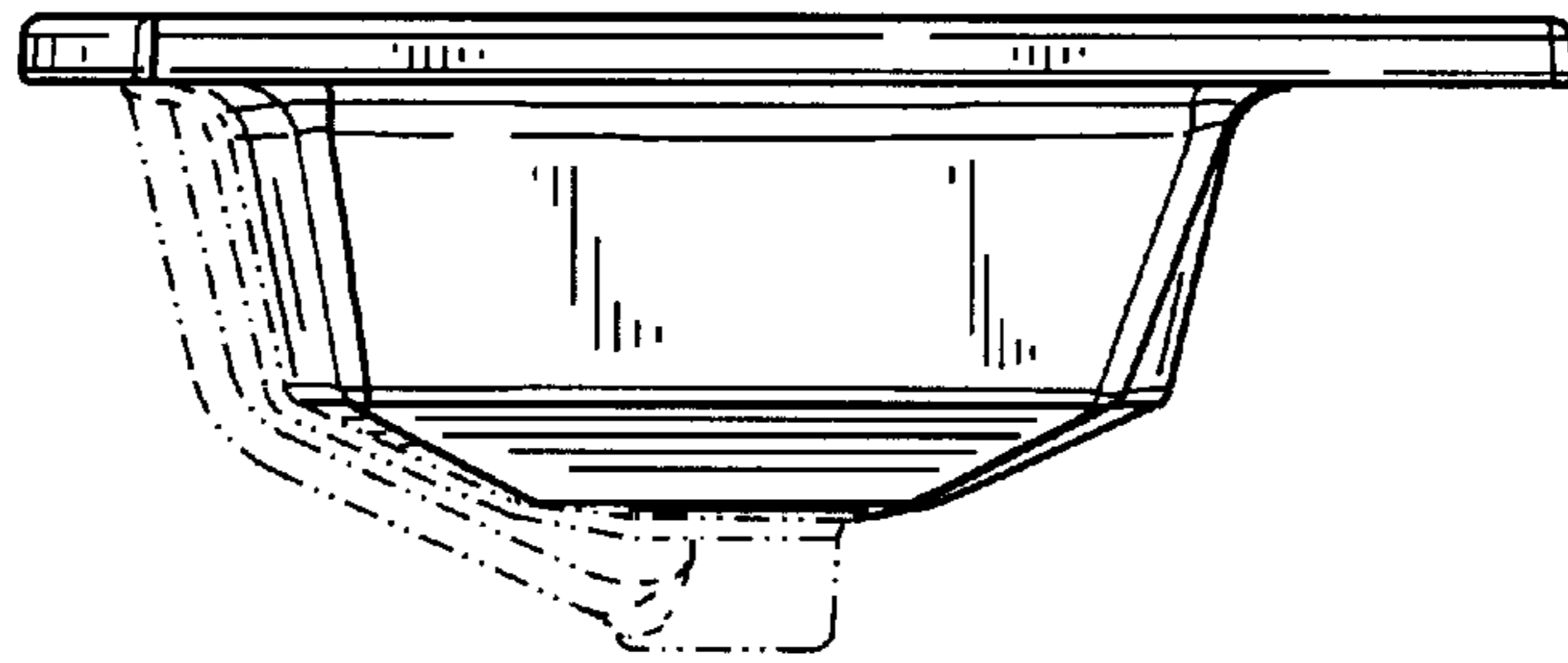


FIG. 4

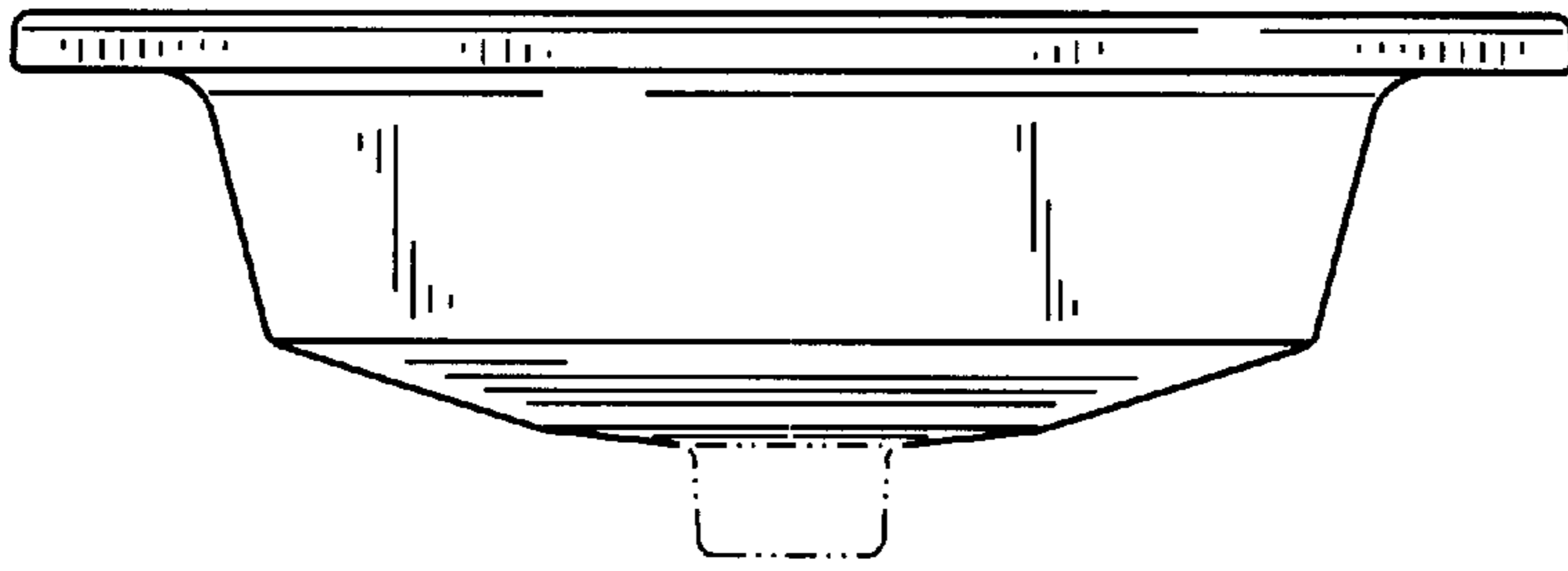


FIG. 5

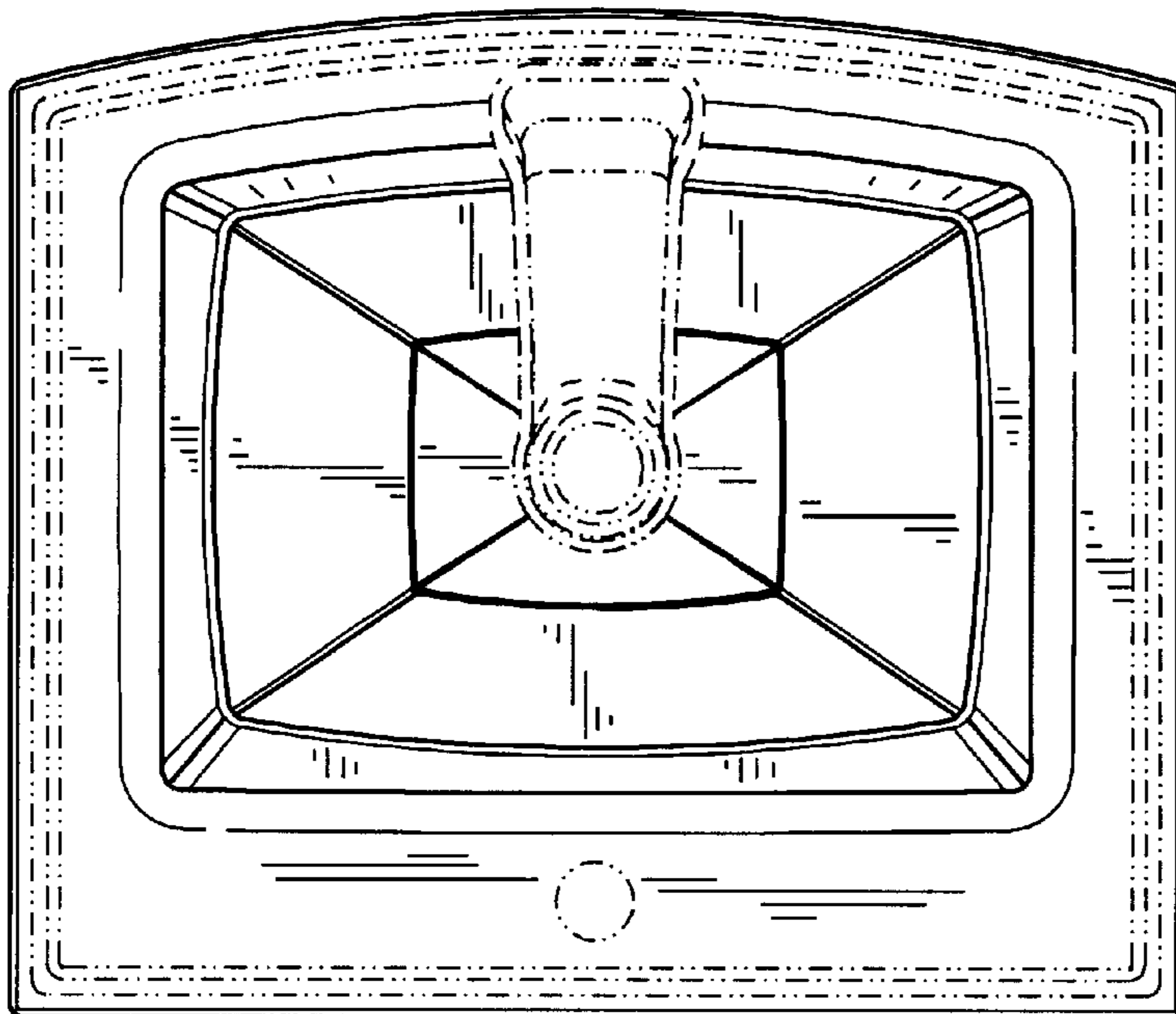


FIG. 6

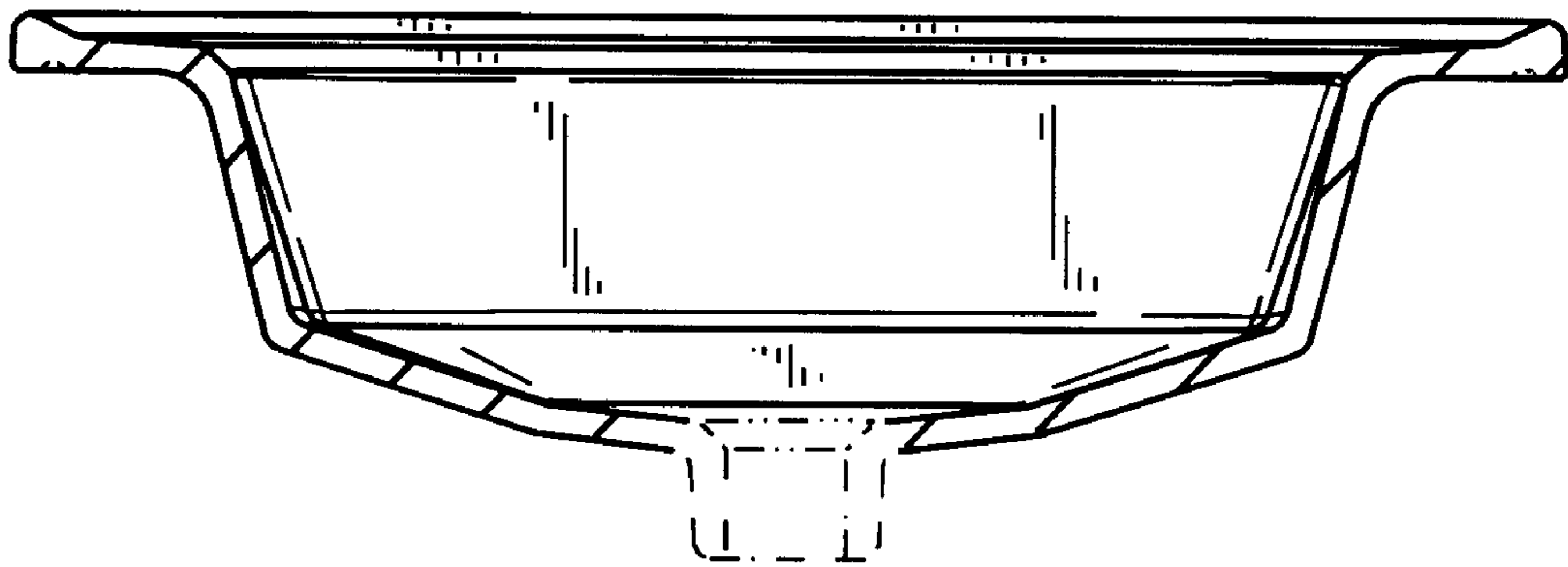


FIG. 7