



US00D537922S

(12) **United States Design Patent**
Mayer

(10) **Patent No.:** **US D537,922 S**

(45) **Date of Patent:** **** Mar. 6, 2007**

(54) **VANITY SINK**

(76) Inventor: **Robert H. Mayer**, 424 SW. 12th Ave.,
Deerfield Beach, FL (US) 33442

(**) Term: **14 Years**

(21) Appl. No.: **29/241,977**

(22) Filed: **Nov. 3, 2005**

D320,437 S	*	10/1991	McKeone	D23/292
D360,935 S	*	8/1995	Hohenthaner	D23/293.1
D367,317 S		2/1996	Lin		
D367,318 S		2/1996	Lin		
D371,190 S	*	6/1996	Kaiser	D23/293.1
D394,308 S	*	5/1998	Bertoli	D23/293.1
D437,147 S		2/2001	Ungaro		
D454,262 S		3/2002	Chu		
D465,943 S		11/2002	Prater		
2005/0223487 A1	*	10/2005	Takeo et al.	4/630

* cited by examiner

Related U.S. Application Data

(63) Continuation-in-part of application No. 29/223,749, filed on
Feb. 18, 2005.

(51) **LOC (8) Cl.** **23-02**

(52) **U.S. Cl.** **D23/293.1**

(58) **Field of Classification Search** D23/270-271,
D23/273, 284-287, 291, 293.1, 303, 308;
4/619, 624-625, 630, 661, DIG. 15; D21/524
See application file for complete search history.

Primary Examiner—Robert A. Delehanty

(74) *Attorney, Agent, or Firm*—Fleit Kain Gibbons Gutman
Bongini & Bianco; Paul D. Bianco; Martin Fleit

(57) **CLAIM**

The ornamental design for a vanity sink, as shown and
described.

DESCRIPTION

FIG. 1 is a perspective view of a vanity sink combination of
the subject invention;

FIG. 2 is a front view of FIG. 1;

FIG. 3 is a side view of FIG. 1;

FIG. 4 is a top view of FIG. 1;

FIG. 5 is a rear view of the vanity sink;

FIG. 6 is a bottom view thereof; and,

FIG. 7 is a side view thereof.

The broken line representations are for illustrative purposes
only and form no part of the claimed design.

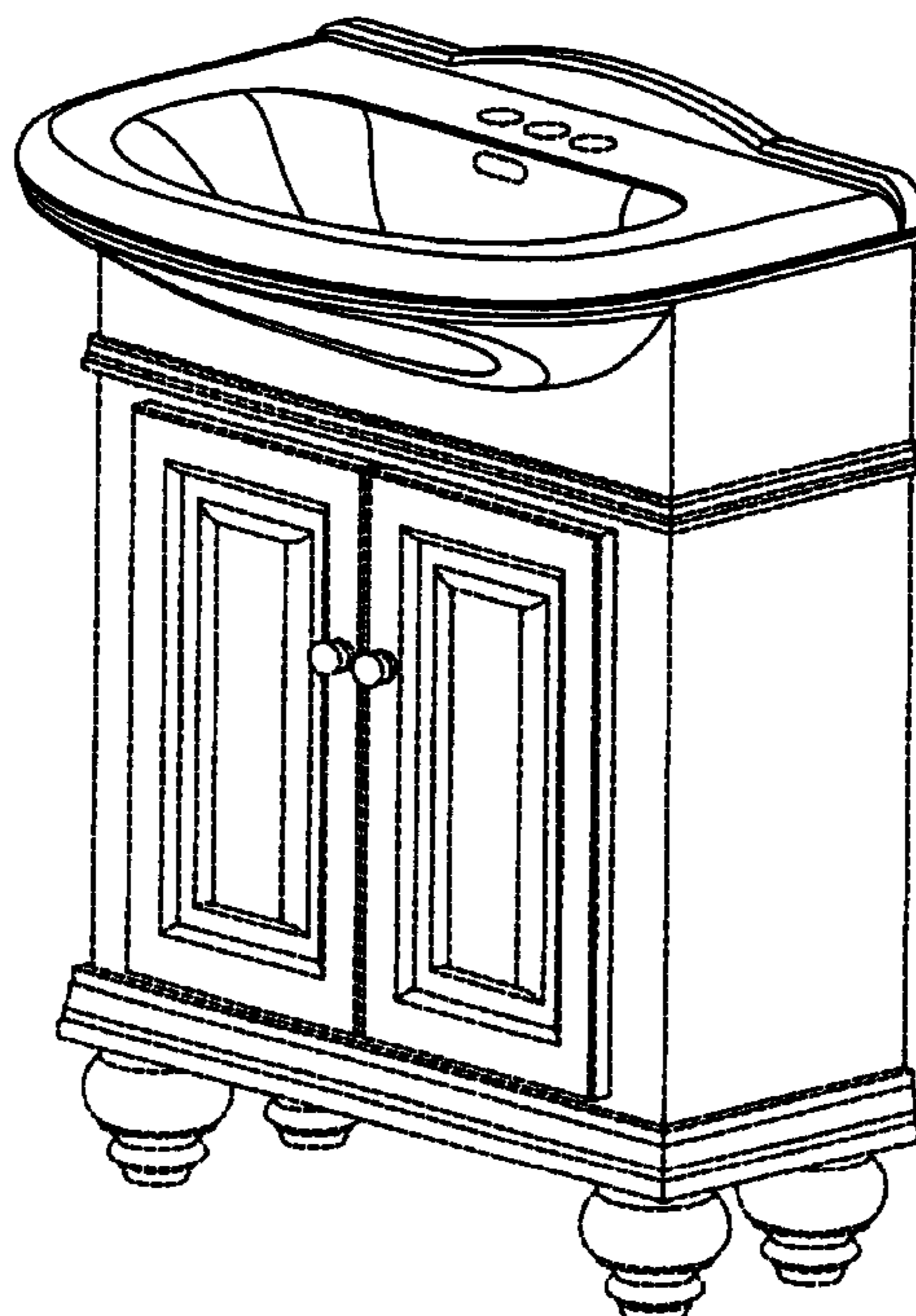
All of the material from U.S. patent application 29/223,749
that is essential to the claimed design is included herein. Any
material in the parent application that is not present herein
forms no part of the claimed design.

(56) **References Cited**

U.S. PATENT DOCUMENTS

D25,731 S	6/1896	Fitz	
D42,185 S	2/1912	Hill	
1,083,583 A	1/1914	Berg	
D45,852 S	6/1914	Bryant	
1,602,556 A	10/1926	Shroyer	
2,210,933 A	* 8/1940	Graf 4/619
D139,902 S	1/1945	Uphues	
D144,671 S	5/1946	Adolf	
D184,171 S	12/1958	Felcan	
D201,345 S	6/1965	Felcan	
D213,369 S	2/1969	Berwyn	
D214,443 S	6/1969	Colonna	
D262,134 S	12/1981	Perkins	

1 Claim, 5 Drawing Sheets



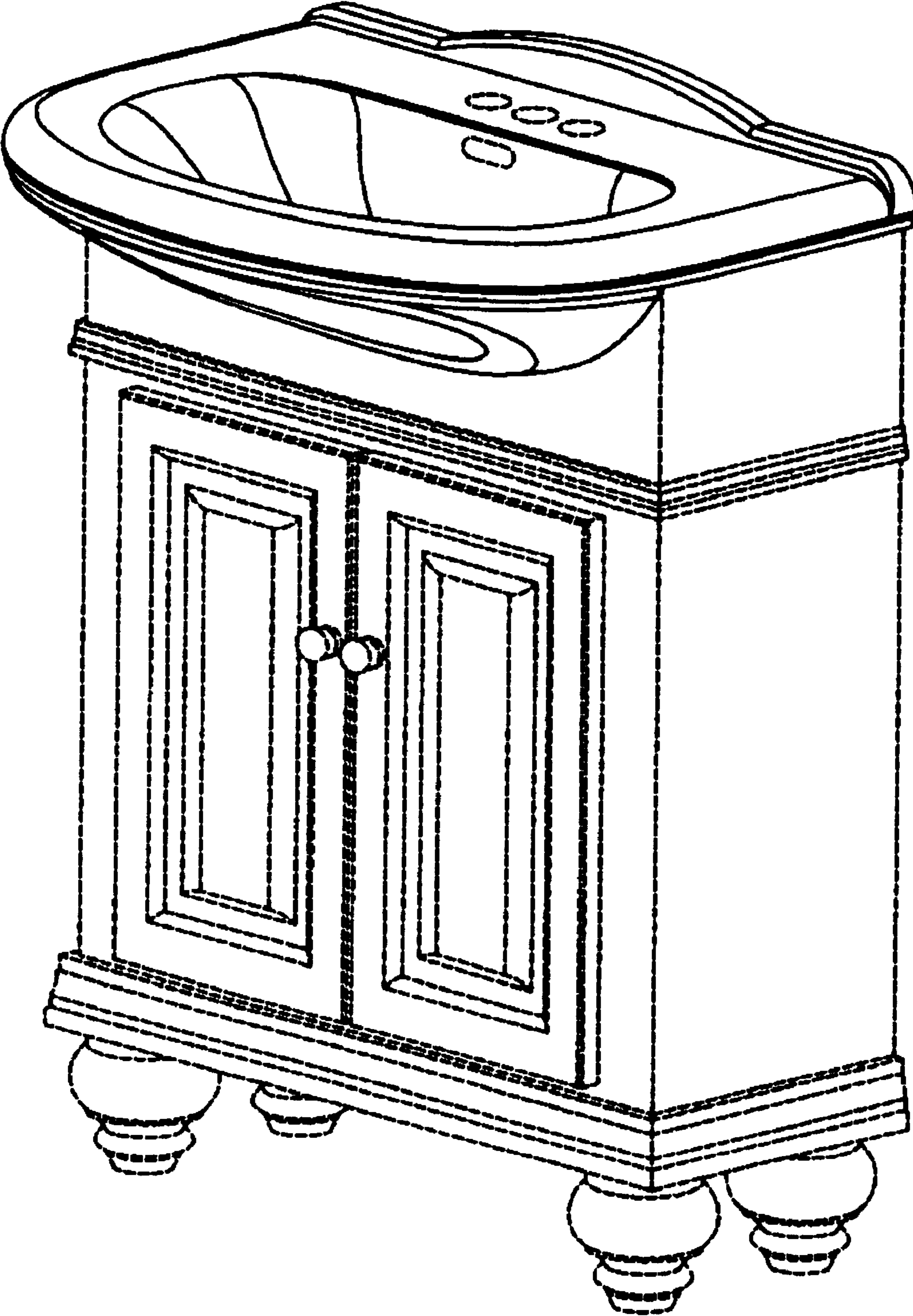


FIG. 1

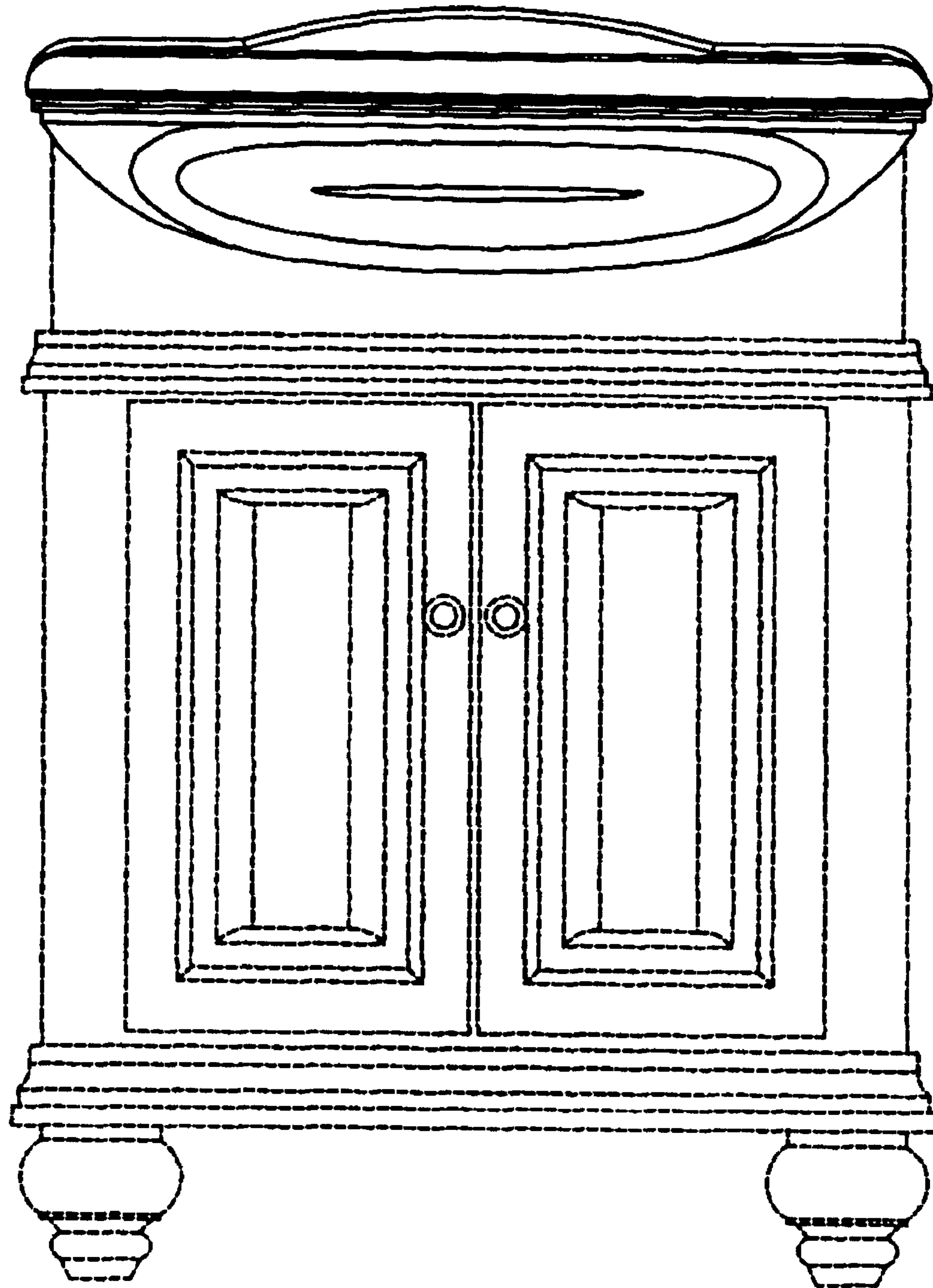


FIG. 2

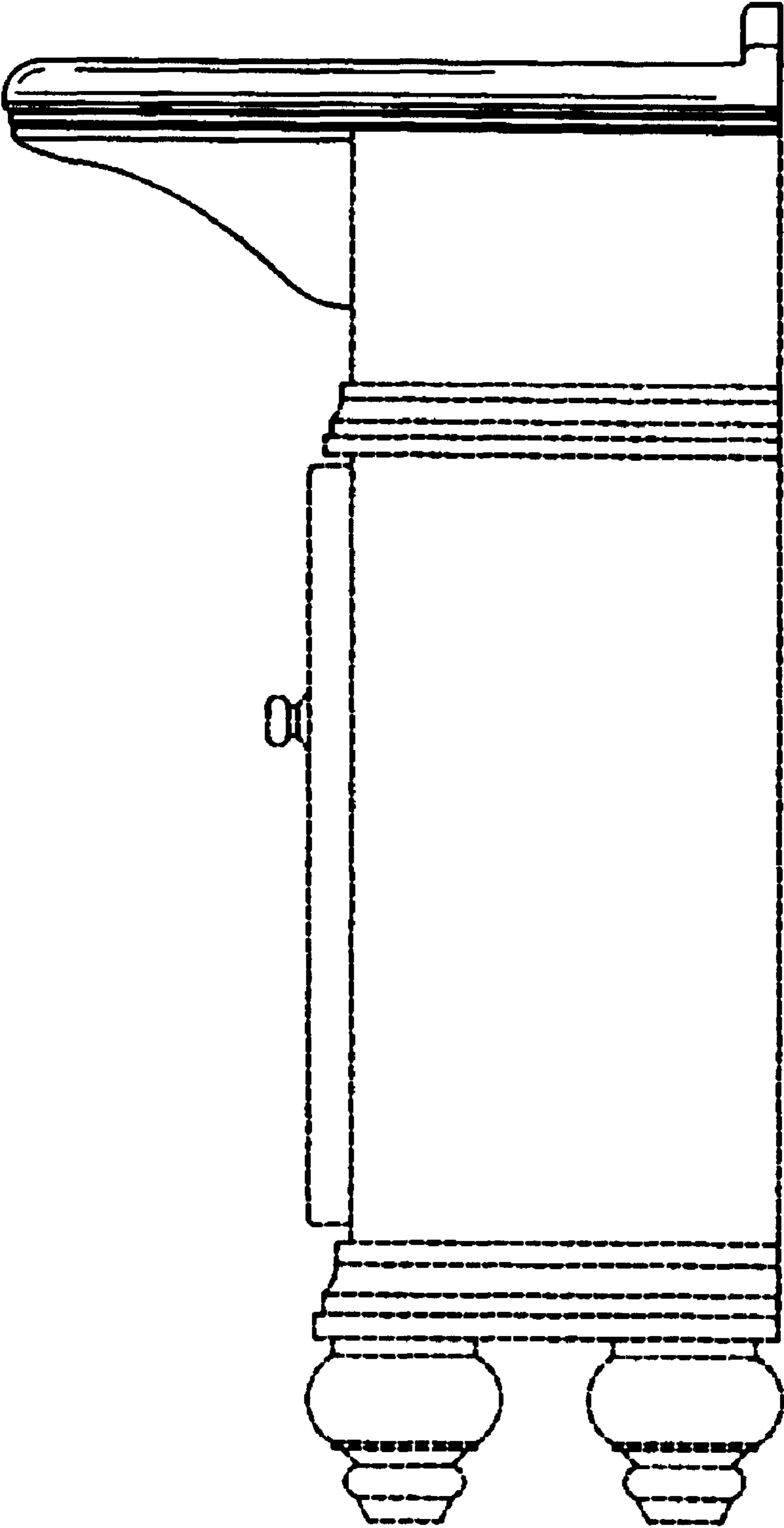


FIG. 3

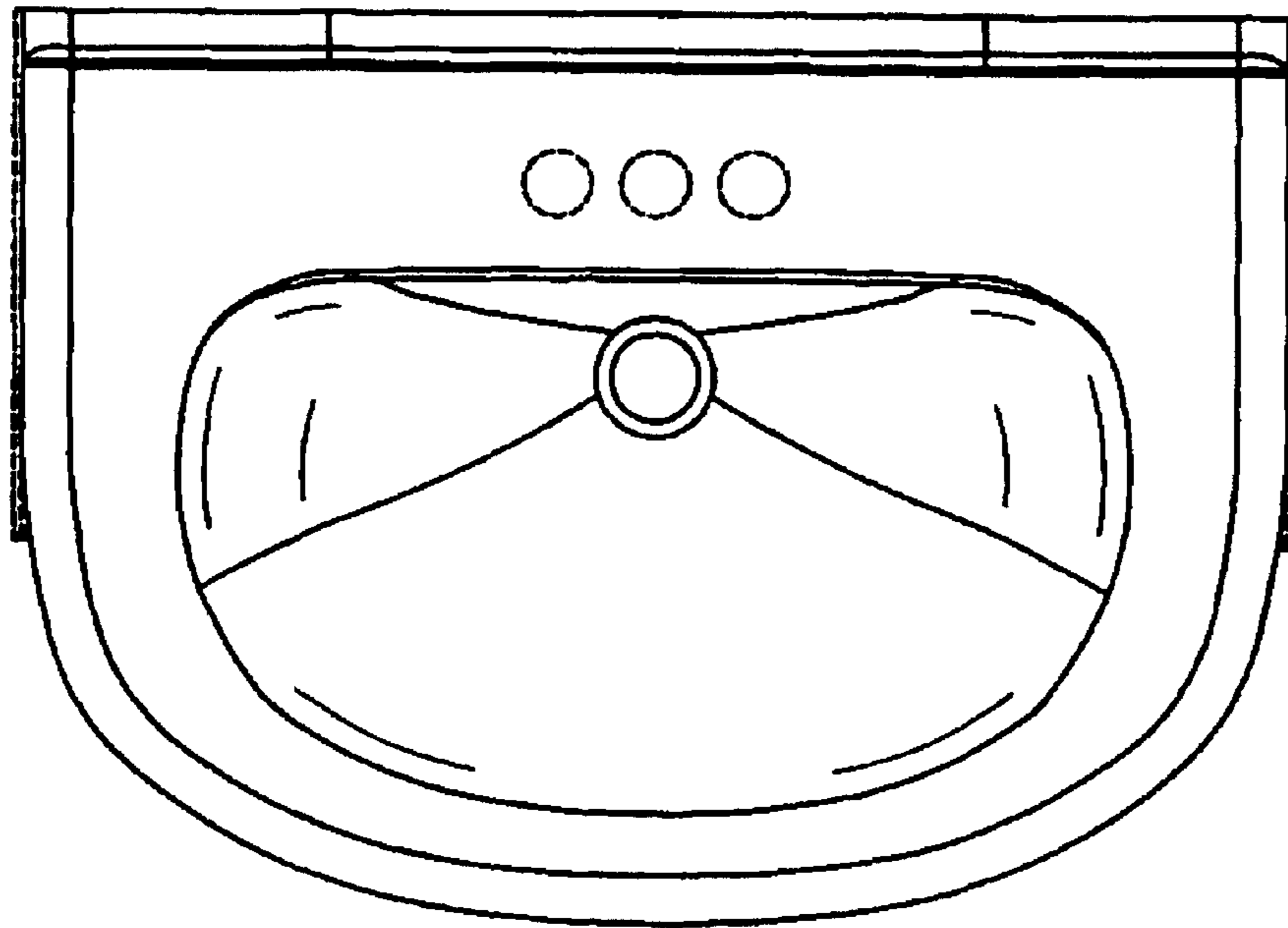


FIG. 4

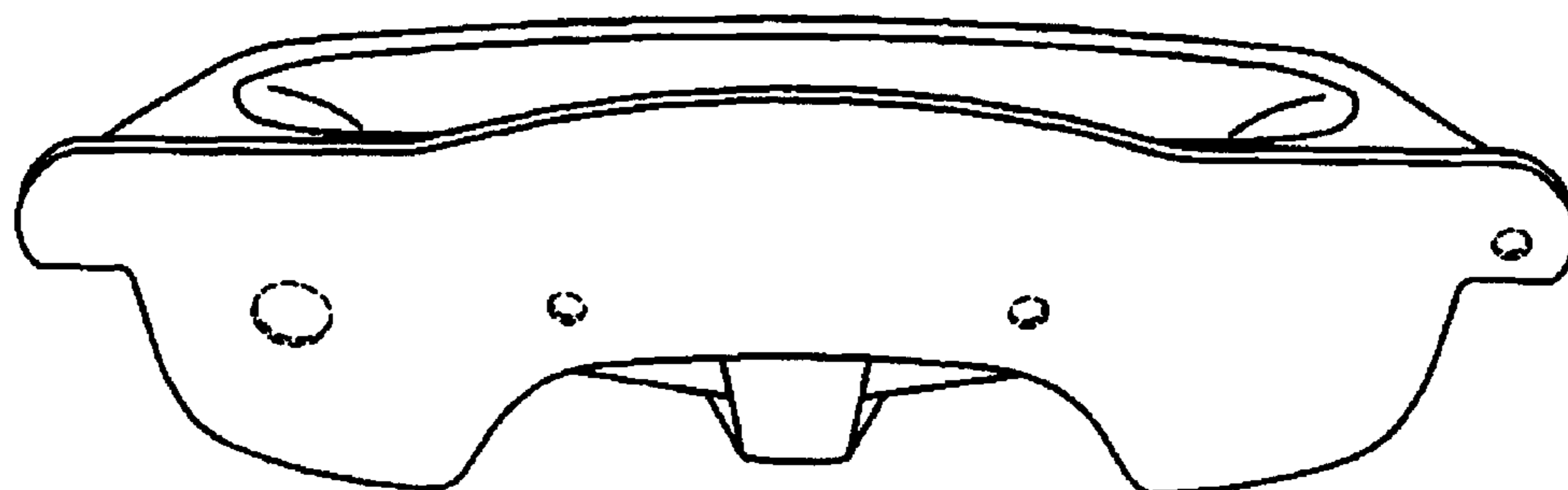


FIG. 5

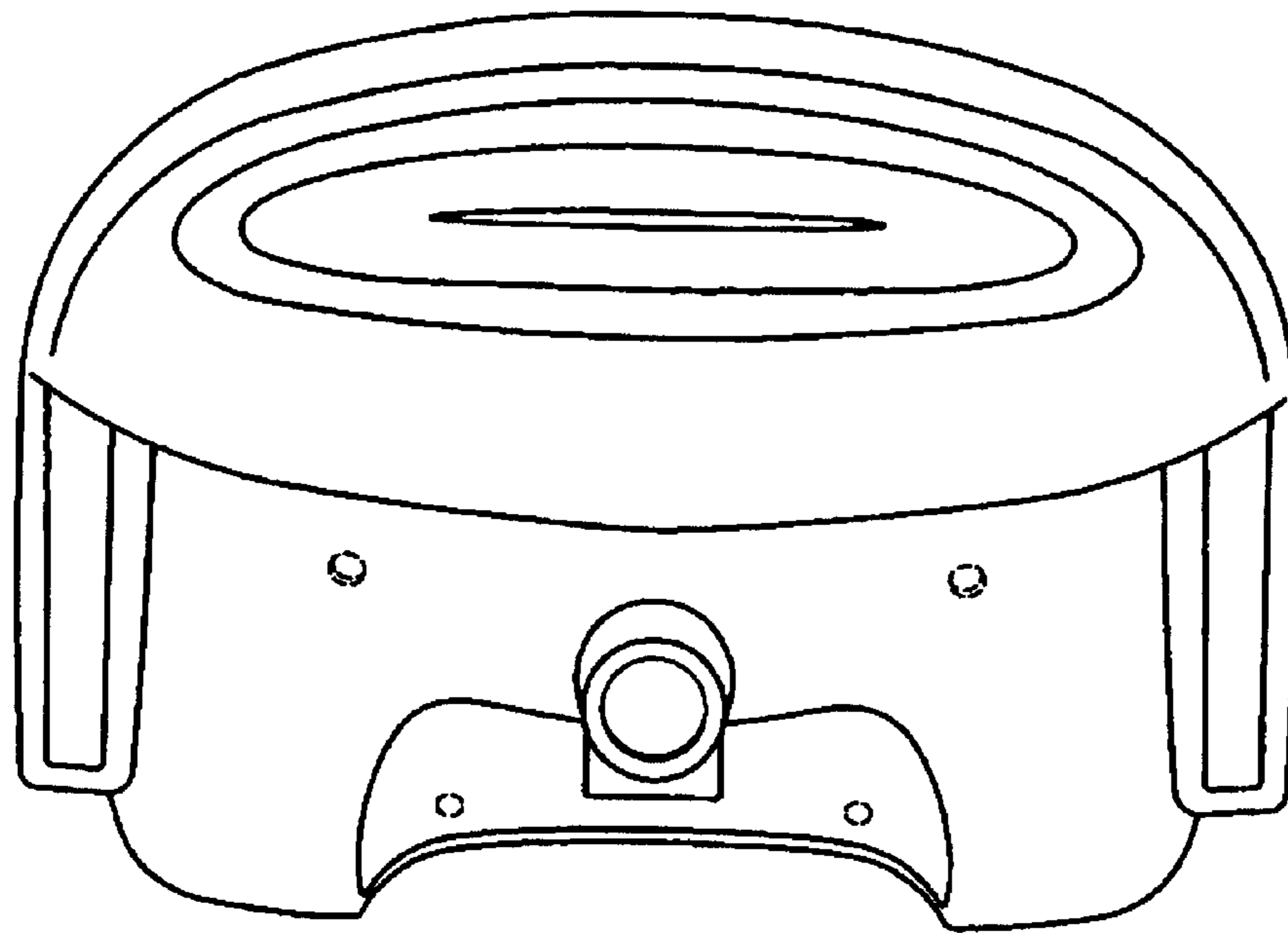


FIG. 6

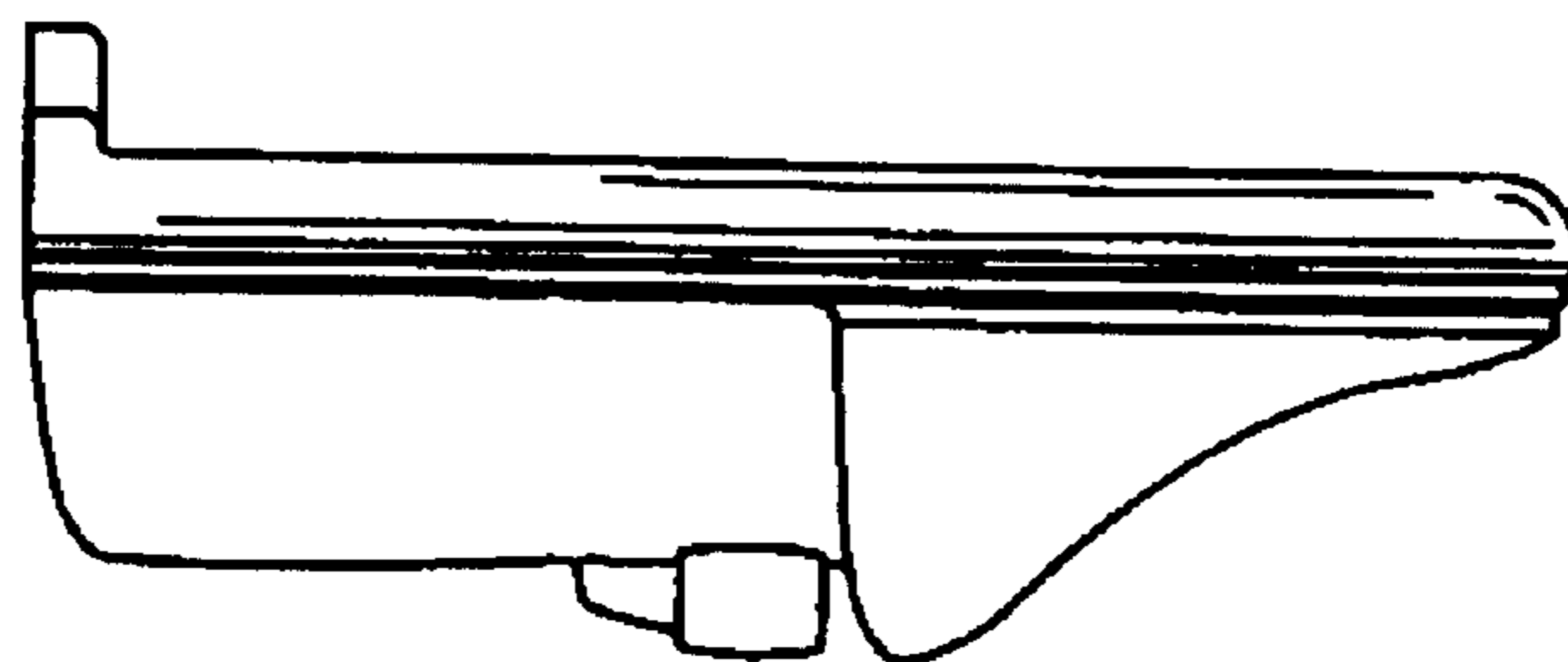


FIG. 7