



US00D537921S

(12) **United States Design Patent**
Kirar

(10) **Patent No.:** **US D537,921 S**

(45) **Date of Patent:** **** Mar. 6, 2007**

(54) **LAVATORY**

(75) Inventor: **Laura K. Kirar**, New York, NY (US)

(73) Assignee: **Kohler Co.**, Kohler, WI (US)

(**) Term: **14 Years**

(21) Appl. No.: **29/229,236**

(22) Filed: **May 4, 2005**

(51) **LOC (8) Cl.** **23-02**

(52) **U.S. Cl.** **D23/293.1**

(58) **Field of Classification Search** D23/270–271,
D23/273, 284–287, 291, 293.1, 303, 308;
4/619, 624–625, 630, 661, DIG. 15; D21/524
See application file for complete search history.

(56) **References Cited**

U.S. PATENT DOCUMENTS

D492,395 S * 6/2004 Kergoet D23/293.1
D504,170 S * 4/2005 Kergoet D23/293.1
D508,113 S * 8/2005 Ng D23/293.1

OTHER PUBLICATIONS

Kohler catalog, Cast Iron & Acrylic Entertainment Sinks, p. 15.71, Addison and Gimlet.

Kallista catalog, p. 1.13, Barbara Barry Undercounter Basin for Him, P72027.

Website page, Kohler, Iron/Tones Kitchen Sink Desert Bloom Cast Iron, May 5, 2005.

* cited by examiner

Primary Examiner—Robert A. Delehanty

(74) *Attorney, Agent, or Firm*—Quarles & Brady LLP

(57) **CLAIM**

The ornamental design for a lavatory, as shown and described.

DESCRIPTION

In a preferred embodiment, the nature of this product is as a plumbing fixture primarily useful for washing various objects.

FIG. 1 is a right, top, front perspective view of a lavatory according to my new design;

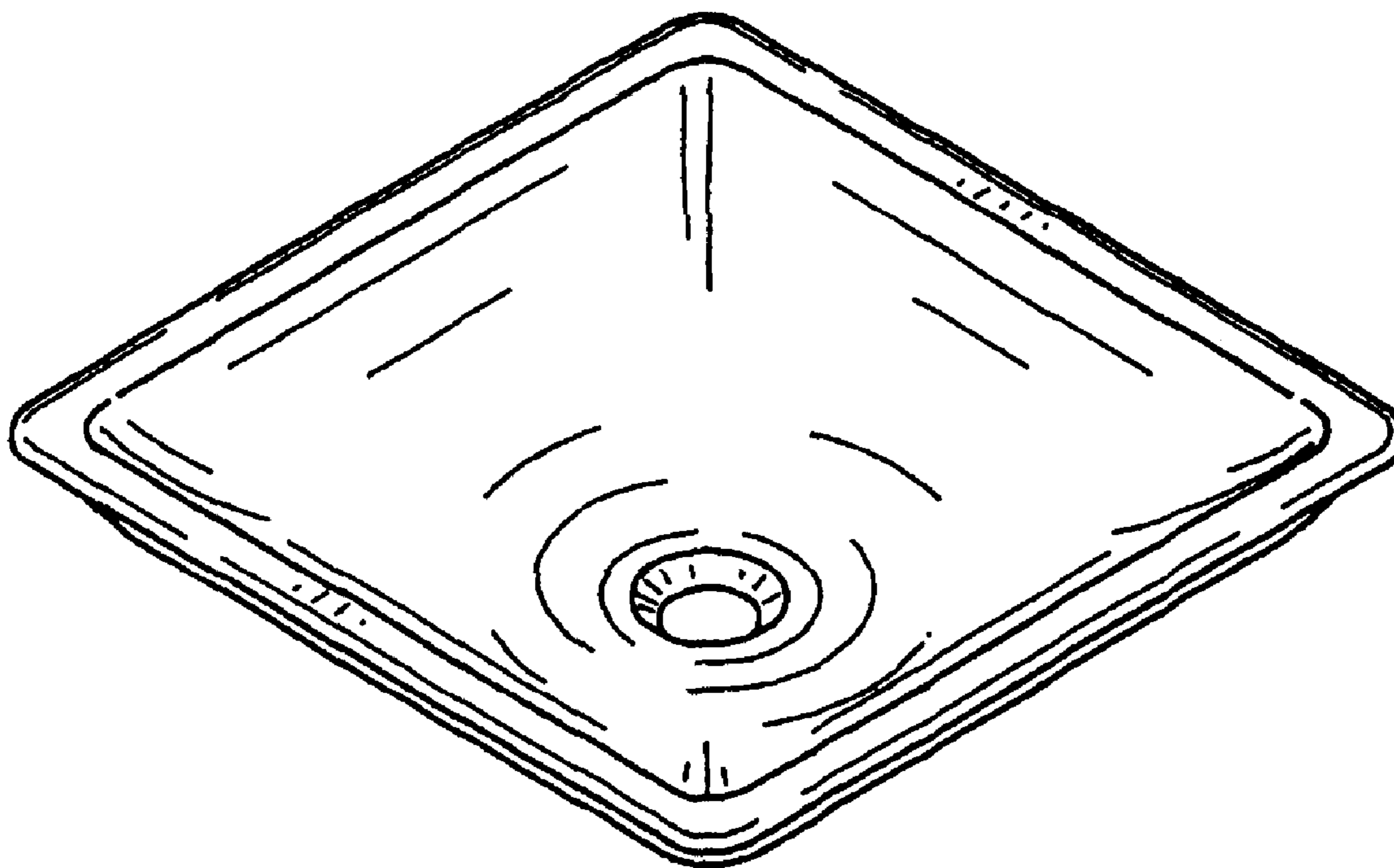
FIG. 2 is a top plan view thereof;

FIG. 3 is a front elevational view thereof, the rear elevational view, left side elevational view and right side elevational view thereof being identical to the front elevational view shown; and,

FIG. 4 is a bottom plan view thereof.

The broken line representations of drain structure in FIGS. 3 and 4 are for the purpose of illustration only, and form no part of the claimed design.

1 Claim, 2 Drawing Sheets



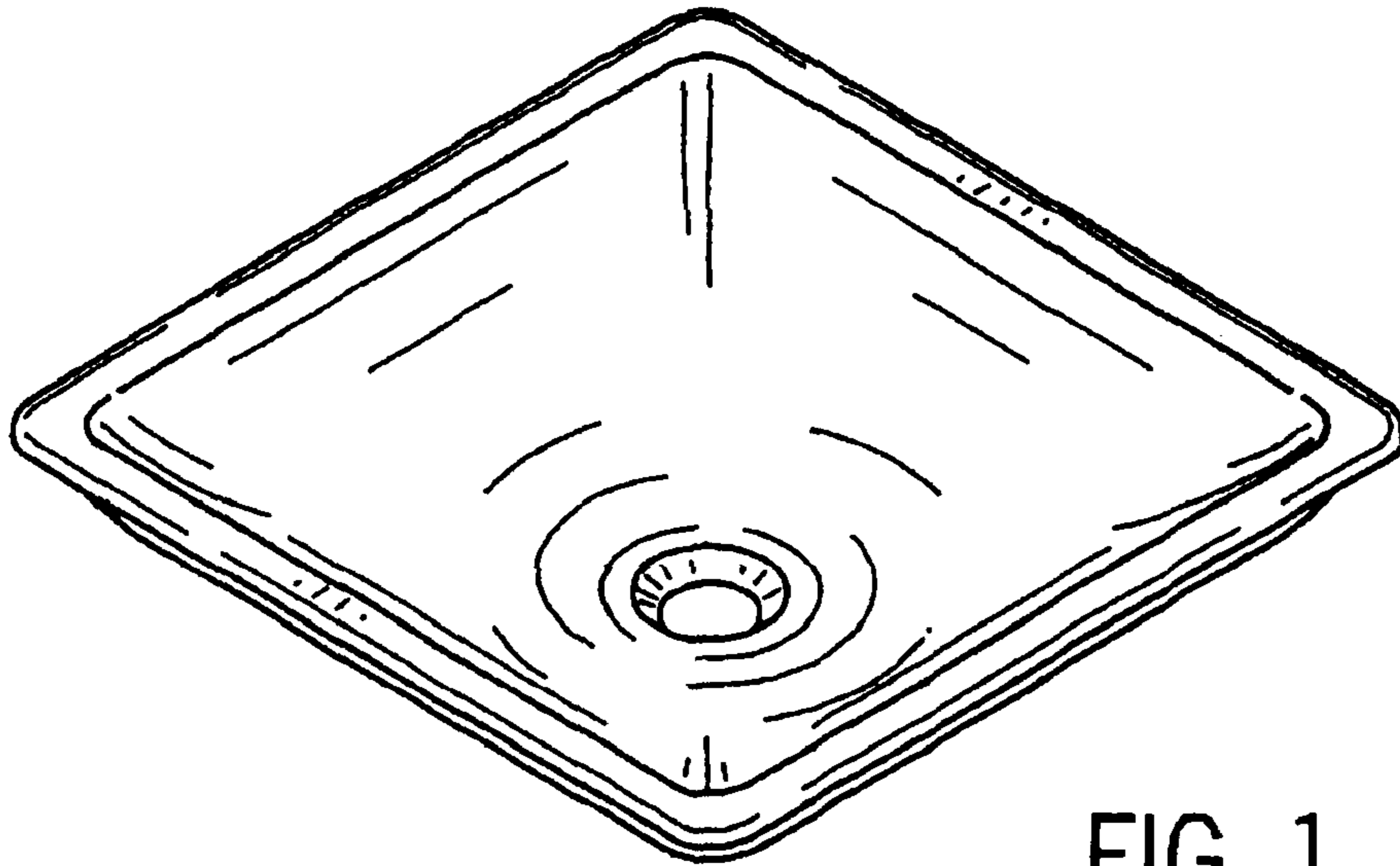


FIG. 1

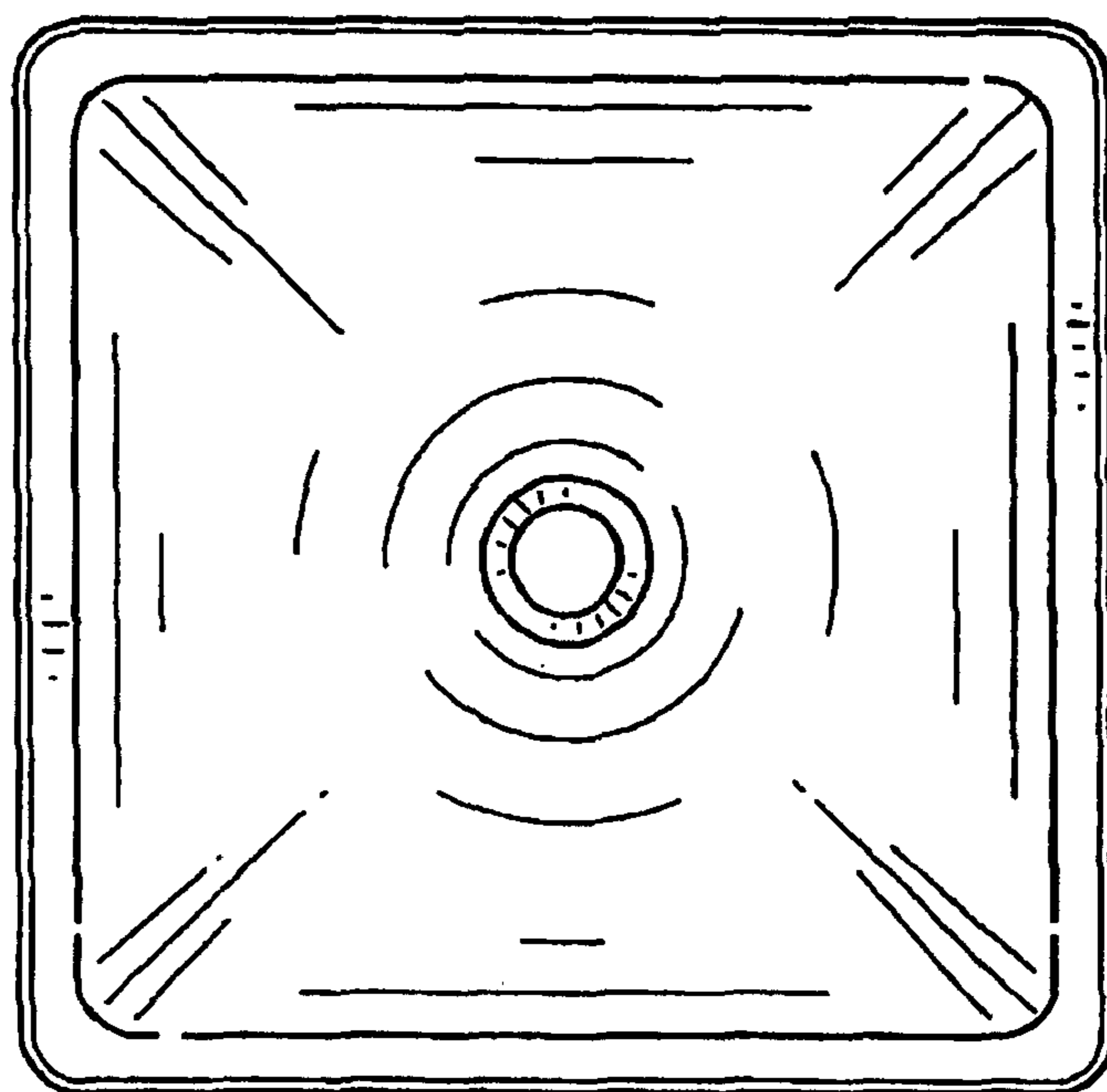


FIG. 2

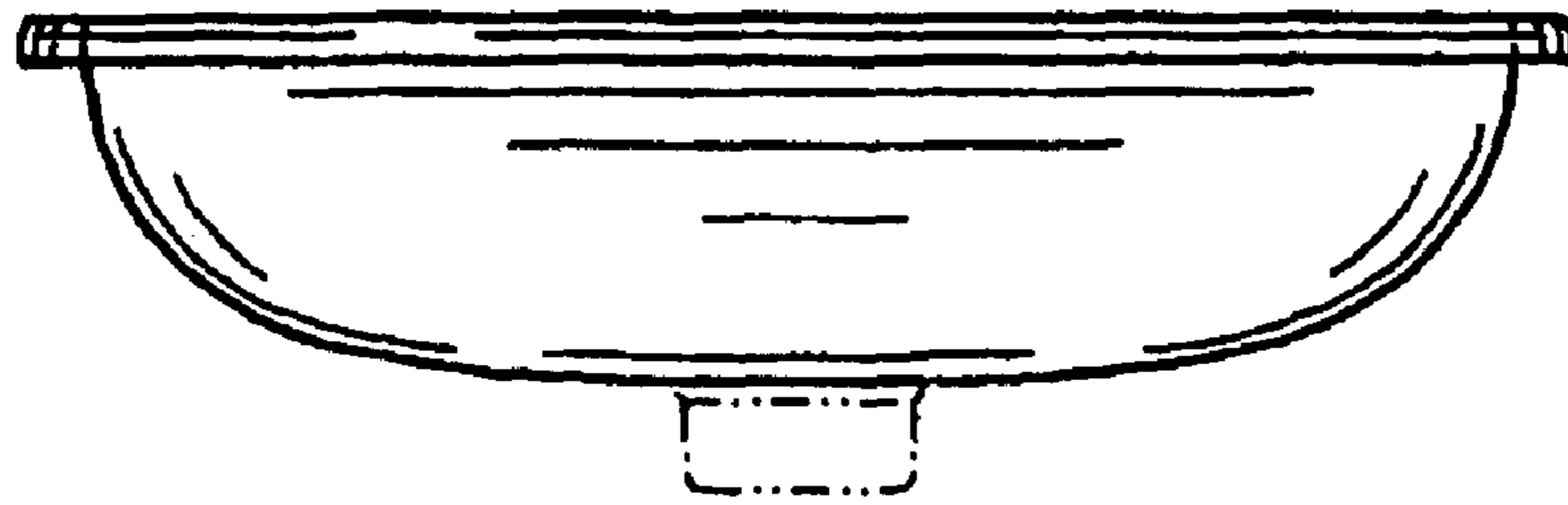


FIG. 3

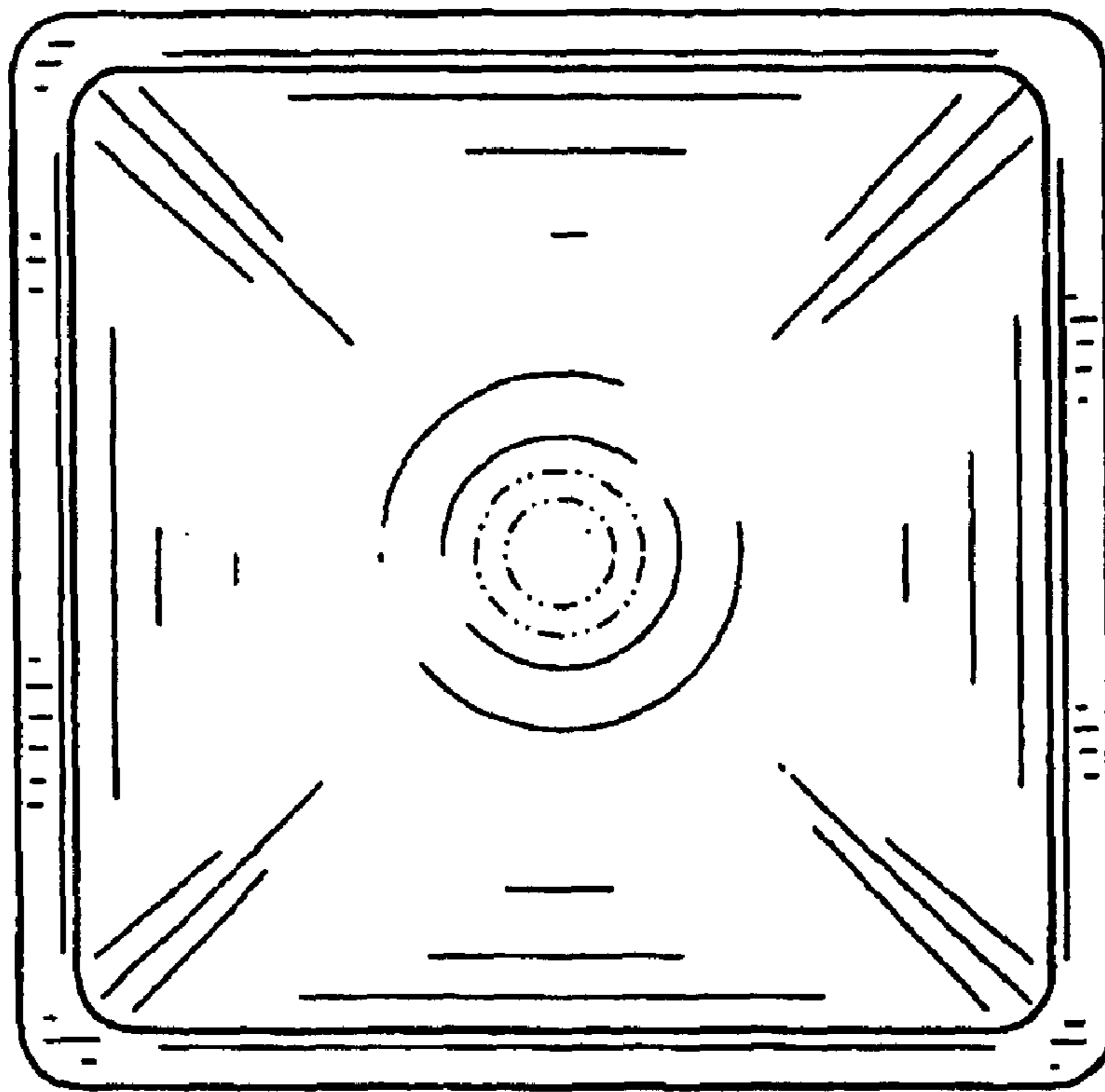


FIG. 4