



US00D537919S

(12) **United States Design Patent**  
**Yamashita**

(10) **Patent No.:** **US D537,919 S**

(45) **Date of Patent:** **\*\* Mar. 6, 2007**

(54) **BALL VALVE**

(75) Inventor: **Yoshihiro Yamashita**, Yamanashi (JP)

(73) Assignee: **Kitz Corporation**, Chiba-ken (JP)

(\*\*) Term: **14 Years**

(21) Appl. No.: **29/252,083**

(22) Filed: **Jan. 19, 2006**

(51) **LOC (8) Cl.** ..... **23-01**

(52) **U.S. Cl.** ..... **D23/233**

(58) **Field of Classification Search** ..... D23/233-237,  
D23/240-257; D24/129; 3/675-678; 285/12;  
603/99.01, 99.02, 167.05; 137/797, 801,  
137/375, 554, 170-174, 625.22, 625.46;  
251/314, 192, 315.14, 315.16, 309-310,  
251/286-288

See application file for complete search history.

(56) **References Cited**

**U.S. PATENT DOCUMENTS**

D299,521 S \* 1/1989 Kiyota et al. .... D23/245  
5,104,092 A \* 4/1992 Block et al. .... 251/152

D344,785 S \* 3/1994 Brown et al. .... D23/245  
D440,283 S \* 4/2001 Cain et al. .... D23/244  
D522,618 S \* 6/2006 Matsushita ..... D23/245  
2006/0065314 A1 \* 3/2006 Bazin et al. .... 137/625.46

\* cited by examiner

*Primary Examiner*—Ian Simmons

*Assistant Examiner*—Maurice Stevens

(74) *Attorney, Agent, or Firm*—Wenderoth, Lind & Ponack,  
L.L.P.

(57) **CLAIM**

The ornamental design for a ball valve, as shown and described.

**DESCRIPTION**

FIG. 1 is a perspective view of a ball valve when seen from the top and right side of the front, showing my new design; FIG. 2 is a front elevational view thereof; FIG. 3 is a rear elevational view thereof; FIG. 4 is a top plan view thereof; FIG. 5 is a bottom view thereof; FIG. 6 is a right side elevational view thereof; and, FIG. 7 is a left side elevational view thereof.

**1 Claim, 4 Drawing Sheets**

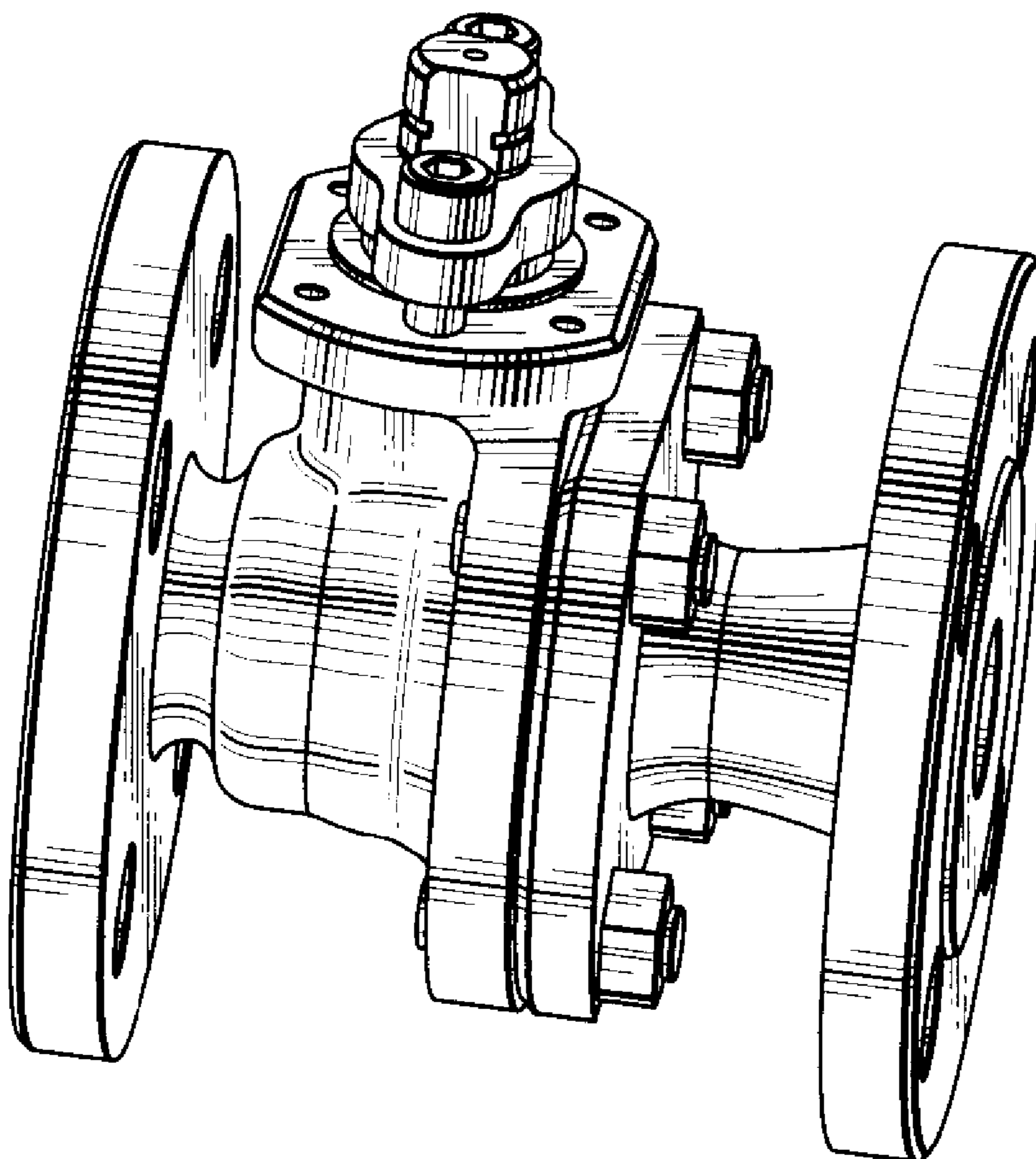


FIG. 1

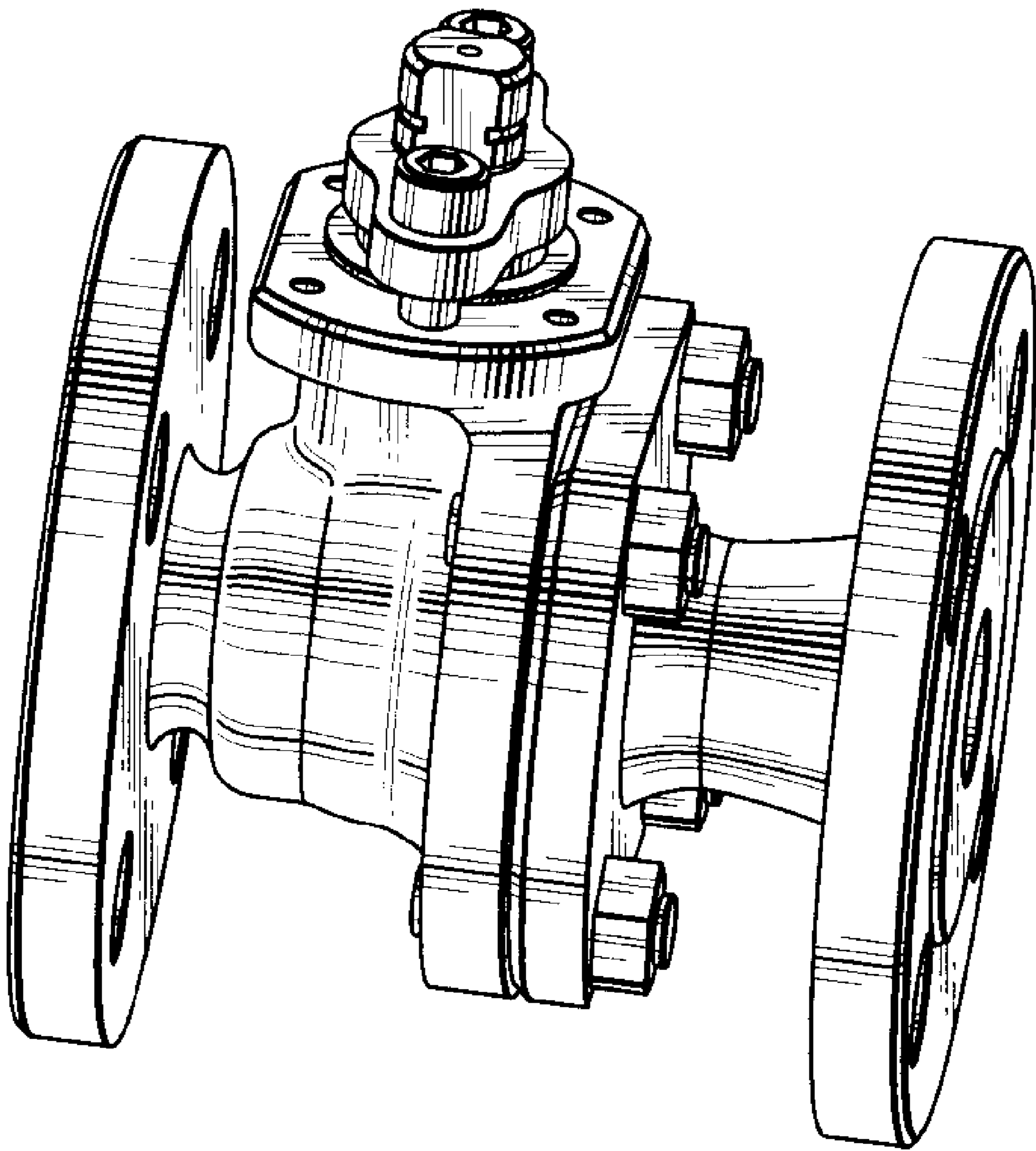


FIG.2

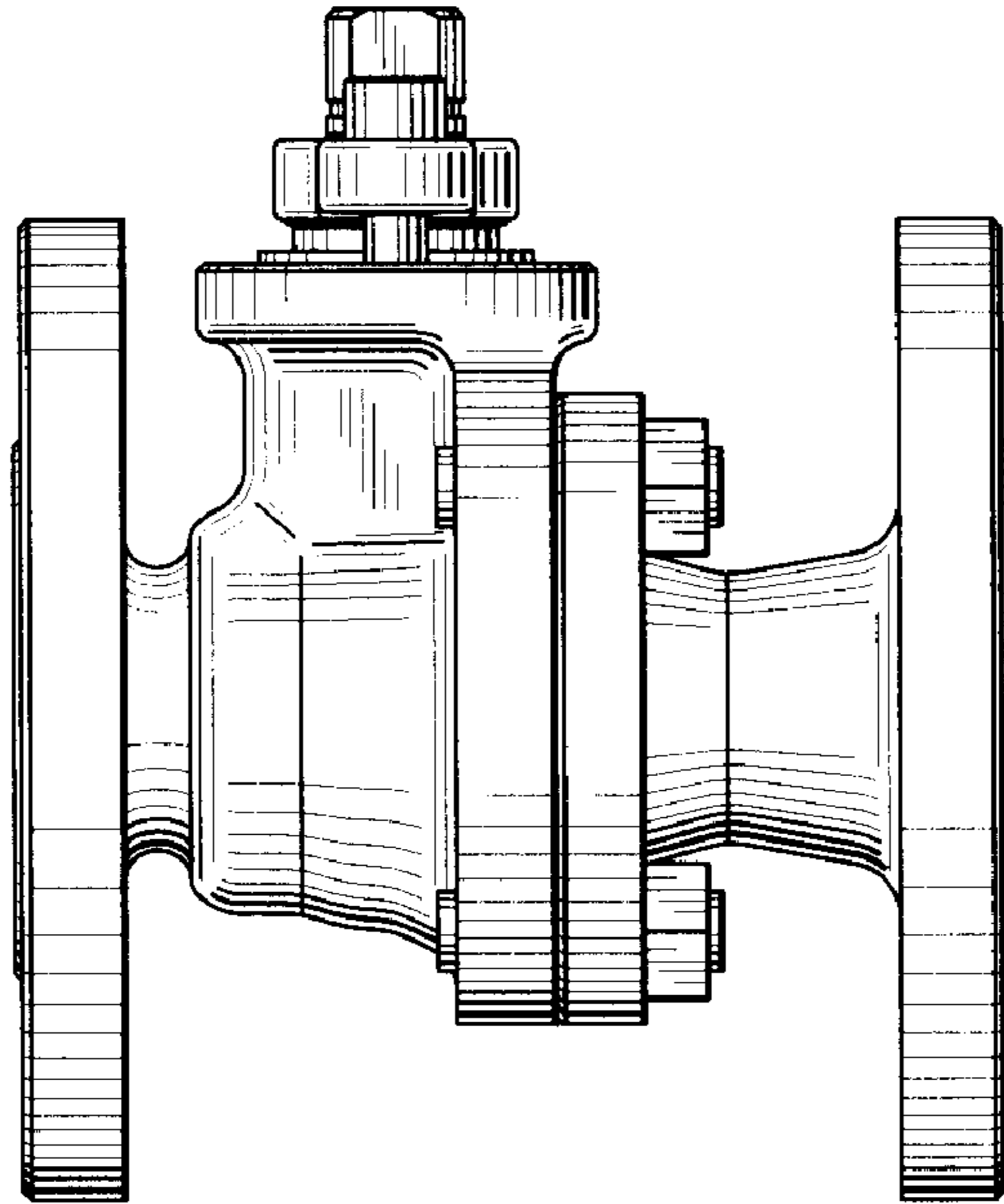


FIG.3

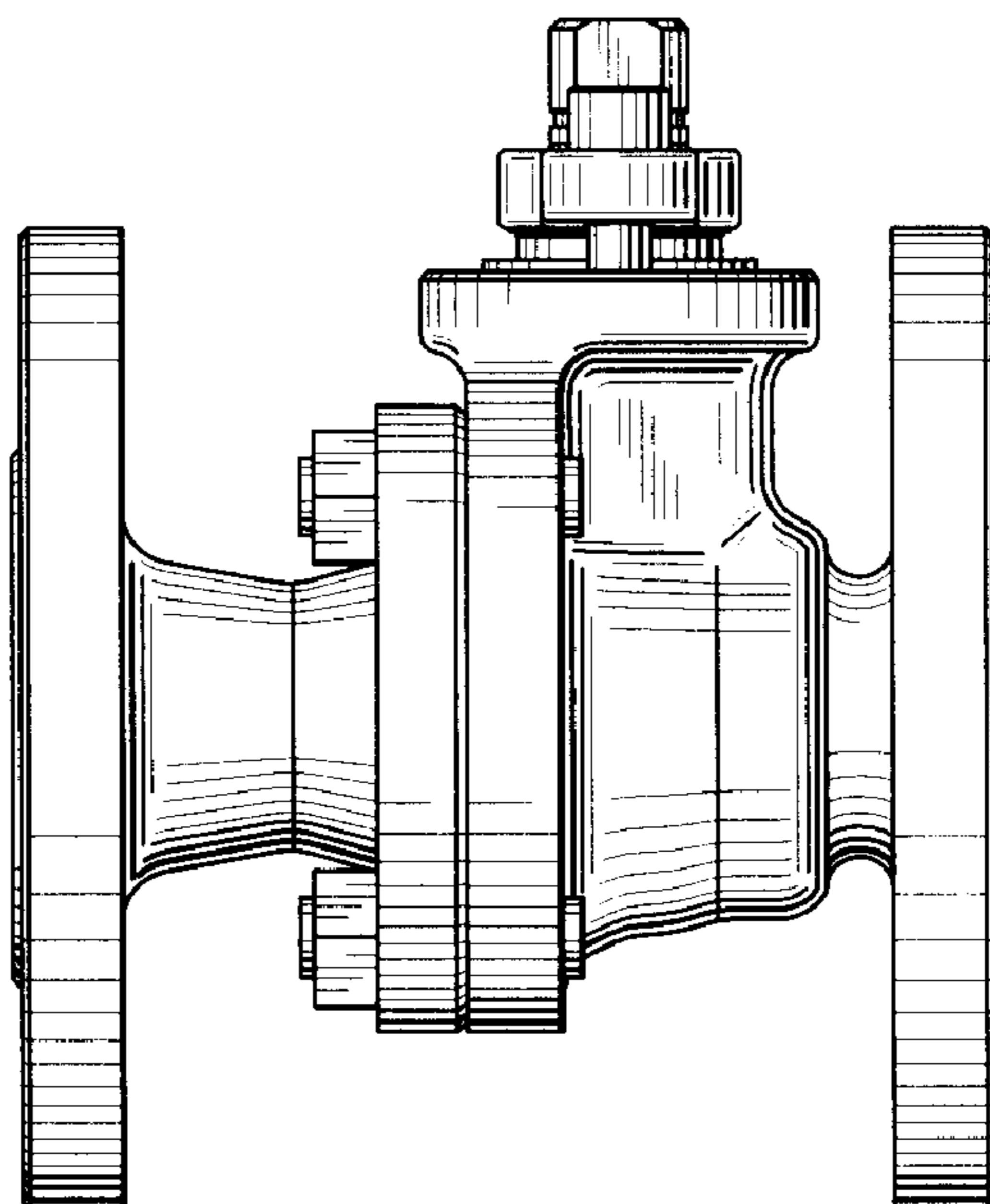


FIG.4

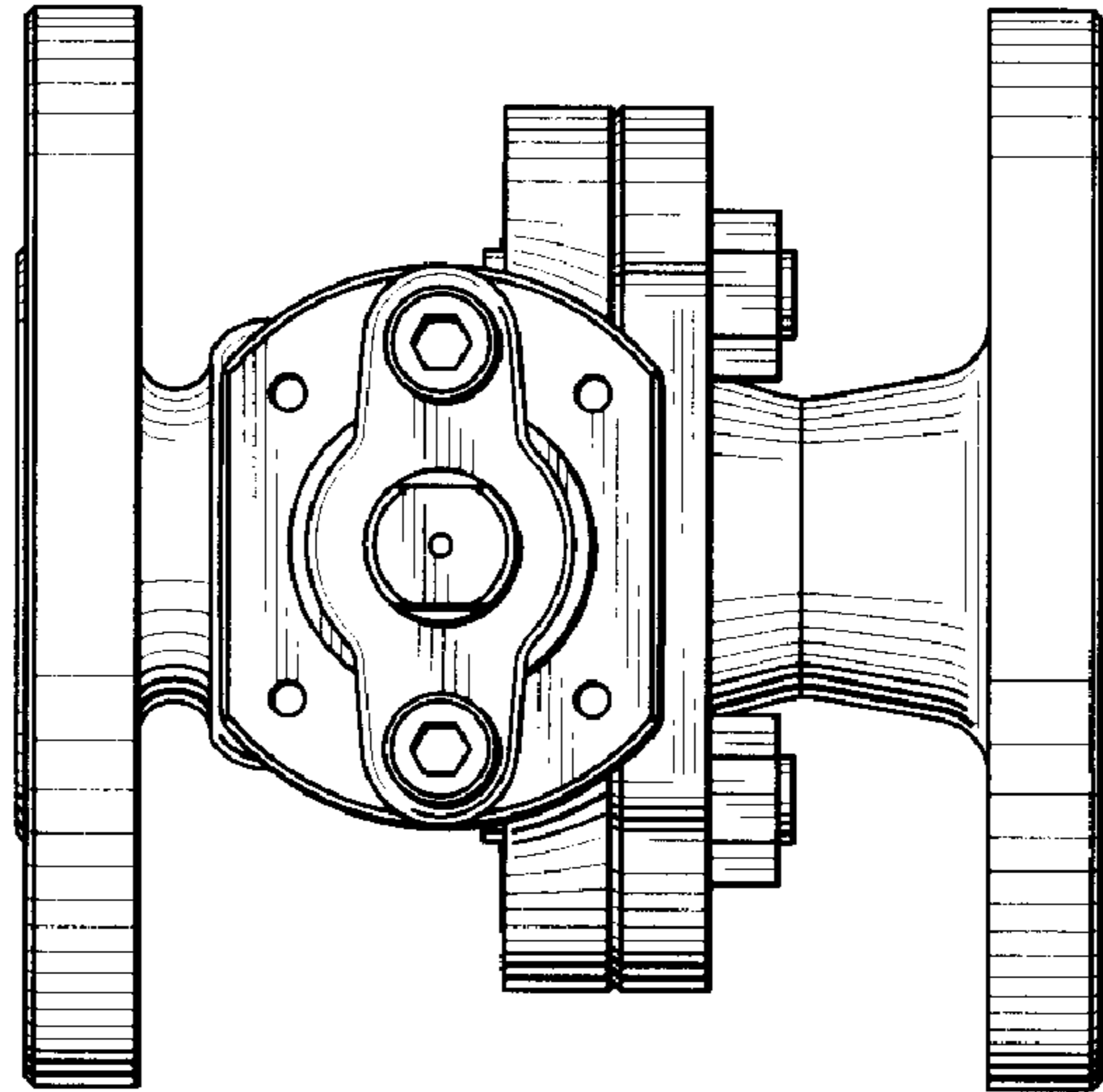


FIG.5

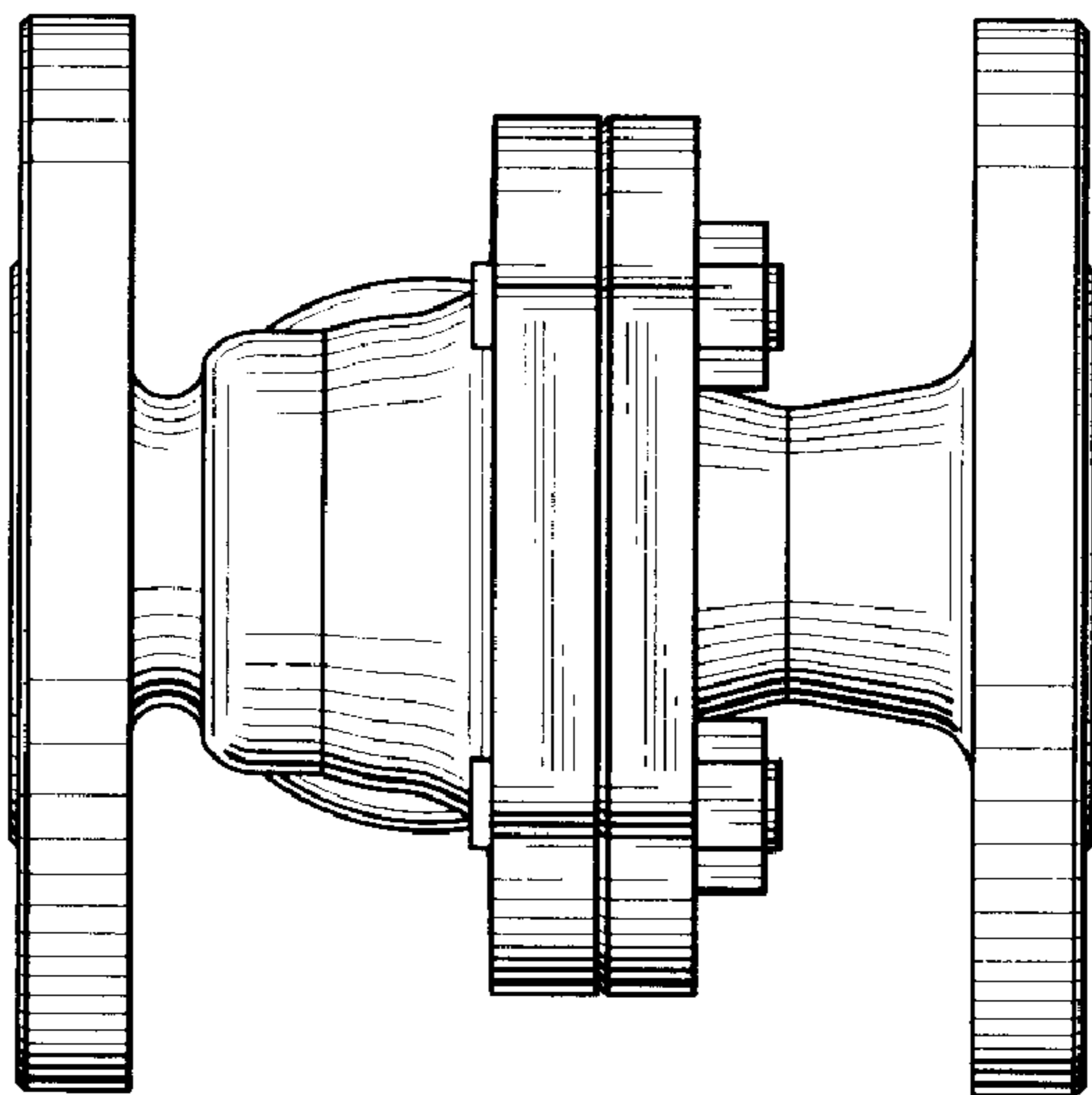


FIG.6

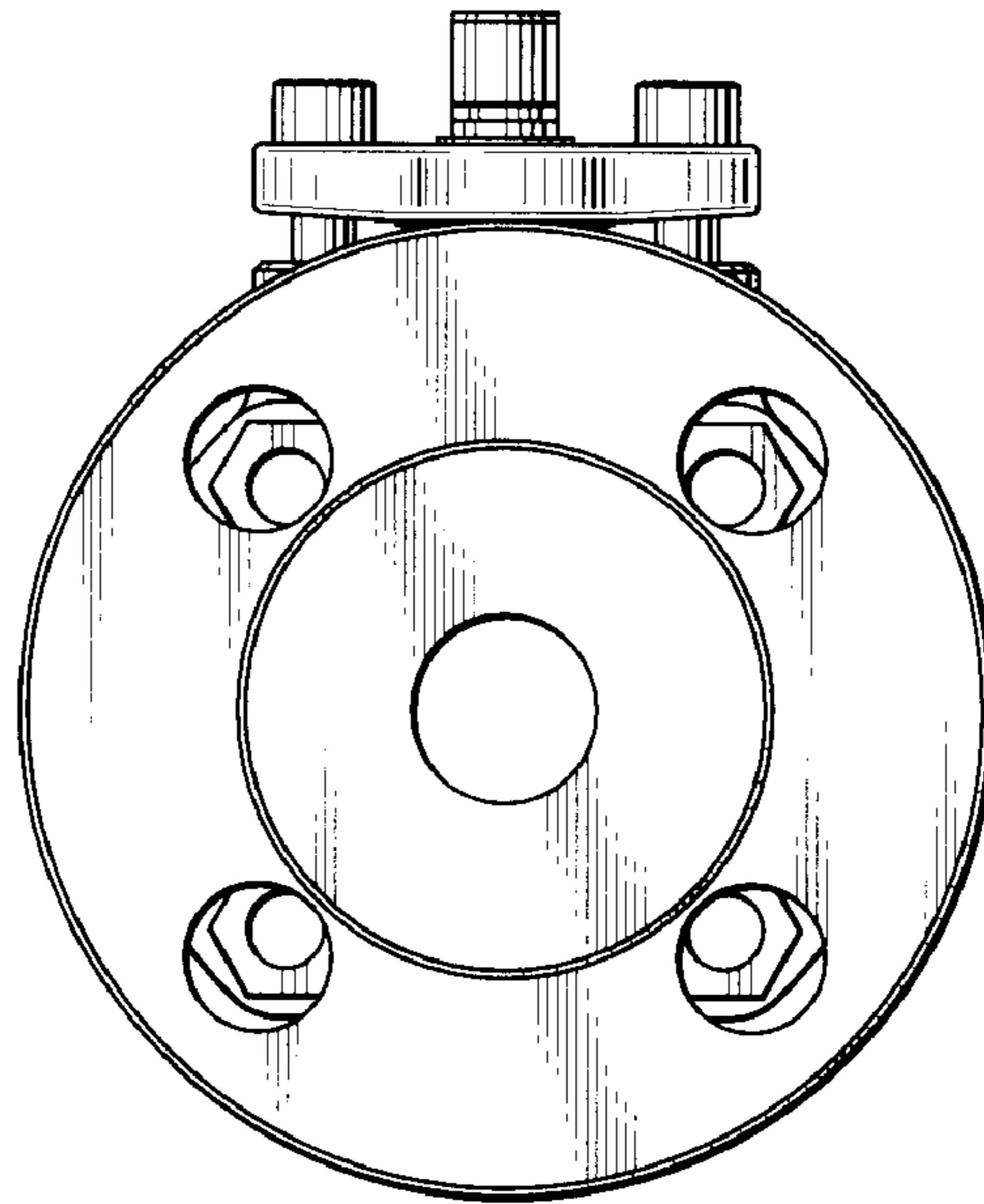


FIG.7

