



US00D537917S

(12) **United States Design Patent**  
**Huang**

(10) **Patent No.:** **US D537,917 S**

(45) **Date of Patent:** **\*\* Mar. 6, 2007**

(54) **SPRAY GUN BODY**

(75) Inventor: **Tiao-Hsiang Huang**, Shin Chuang  
(TW)

(73) Assignee: **Kuan Chang Co., Ltd.**, Taipei Hsien  
(TW)

(\*\*) Term: **14 Years**

(21) Appl. No.: **29/236,791**

(22) Filed: **Aug. 23, 2005**

(51) **LOC (8) Cl.** ..... **23-01**

(52) **U.S. Cl.** ..... **D23/226**

(58) **Field of Classification Search** ..... D23/213,  
D23/223, 225-6; 239/525-527, 302; 361/227-8  
See application file for complete search history.

(56) **References Cited**

**U.S. PATENT DOCUMENTS**

D328,779 S \* 8/1992 Albers et al. .... D23/225

D358,197 S \* 5/1995 Brite ..... D23/225

D457,599 S \* 5/2002 Karwoski et al. .... D23/226

D523,111 S \* 6/2006 Huang ..... D23/226

\* cited by examiner

*Primary Examiner*—Robin Webster

(74) *Attorney, Agent, or Firm*—Rosenberg, Klein & Lee

(57) **CLAIM**

I claim, the ornamental design for a spray gun body, as shown and described.

**DESCRIPTION**

FIG. 1 is a perspective view of a spray gun body showing my present design;

FIG. 2 is a front view thereof;

FIG. 3 is a rear view thereof;

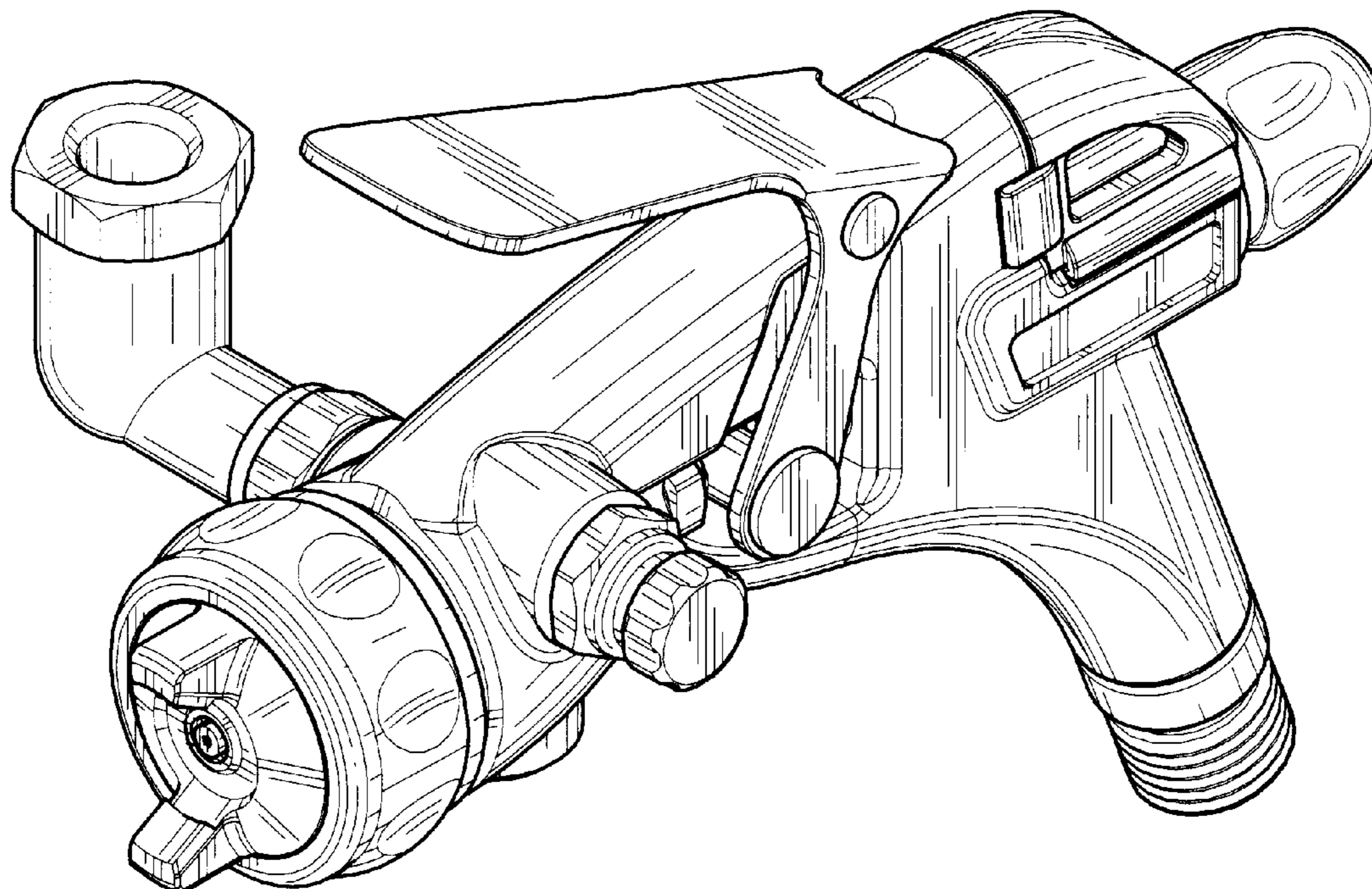
FIG. 4 is a left view thereof;

FIG. 5 is a right view thereof;

FIG. 6 is a top plan view thereof; and,

FIG. 7 is a bottom plan view.

**1 Claim, 7 Drawing Sheets**



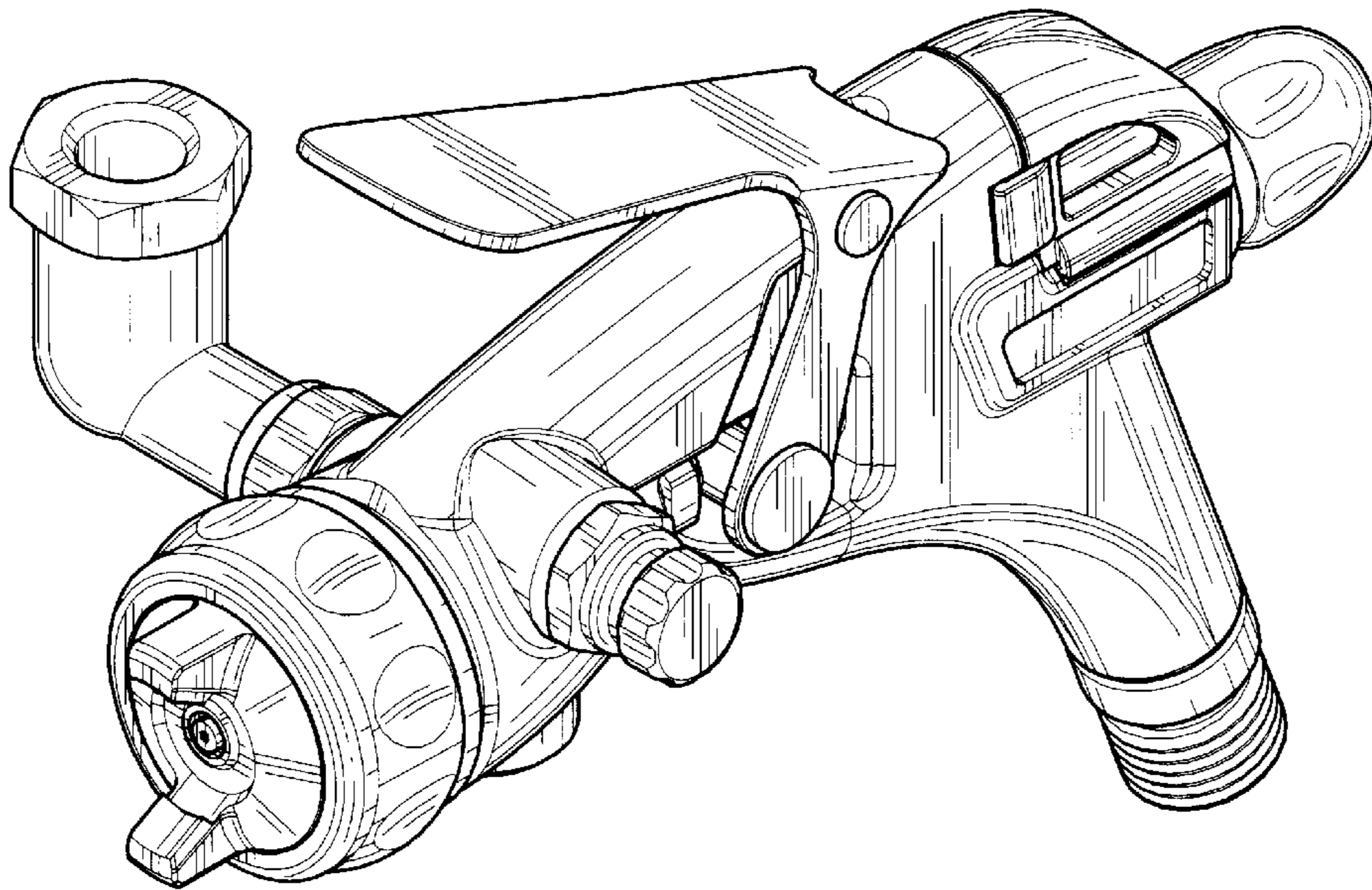


FIG. 1

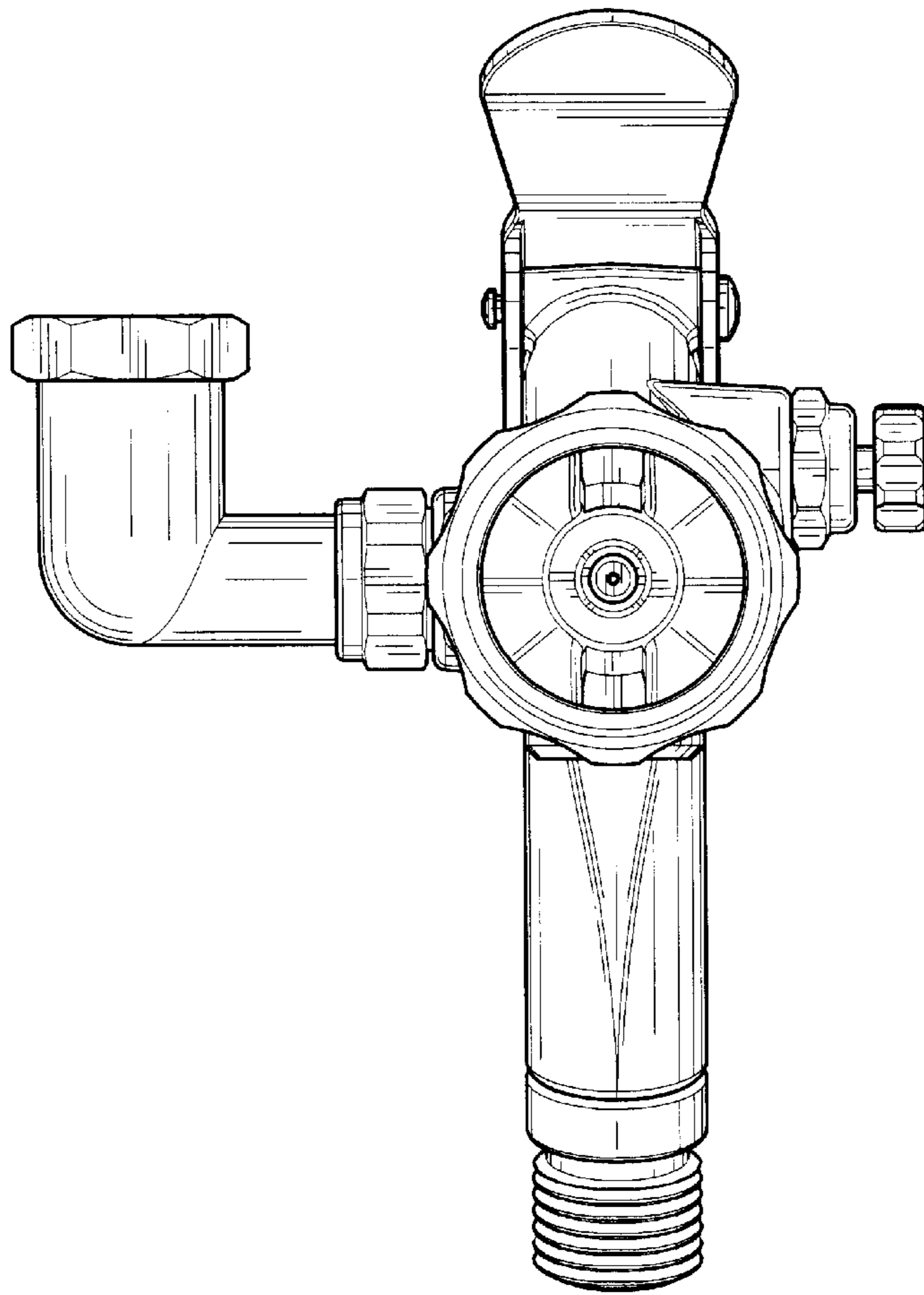


FIG . 2

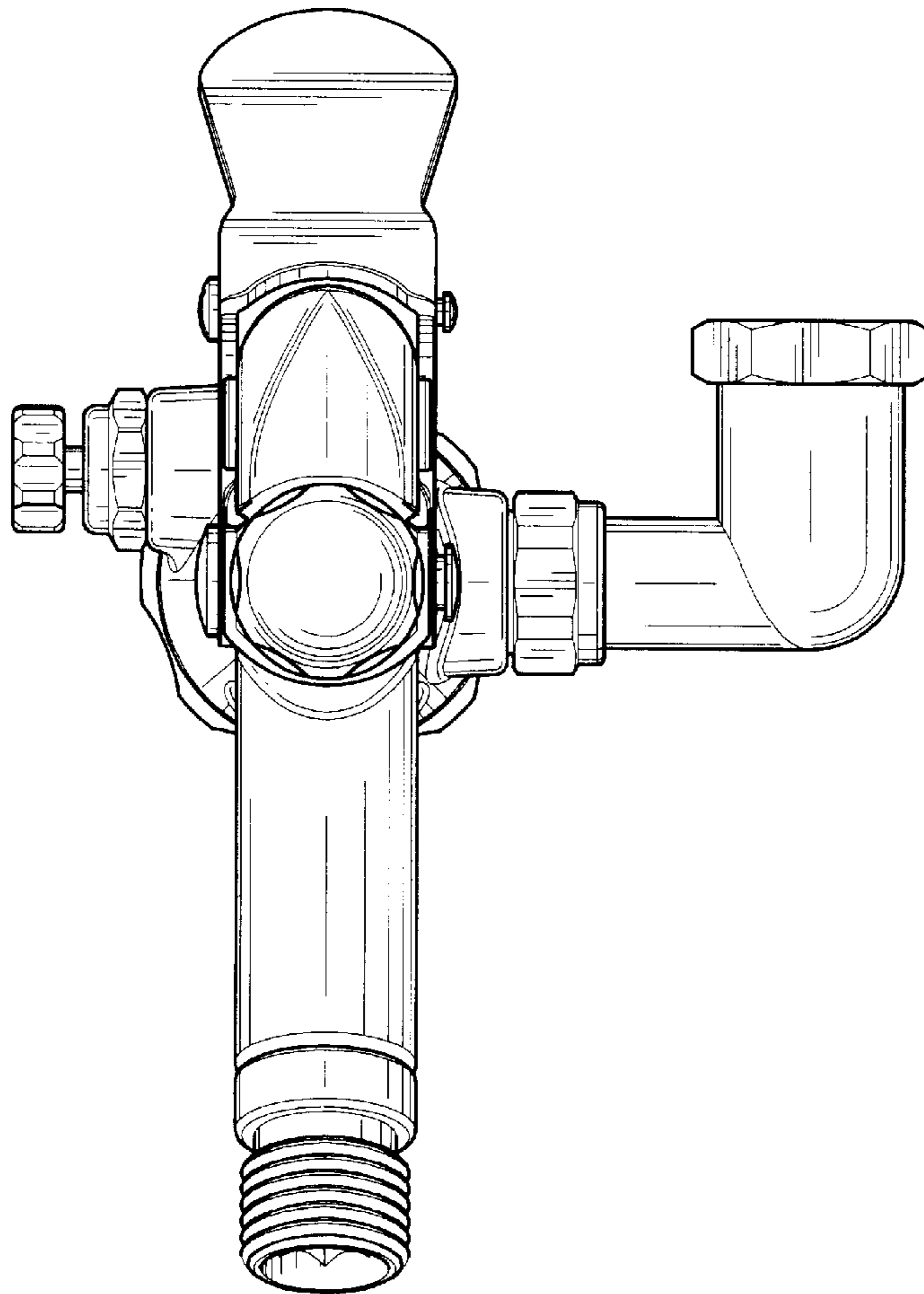


FIG . 3



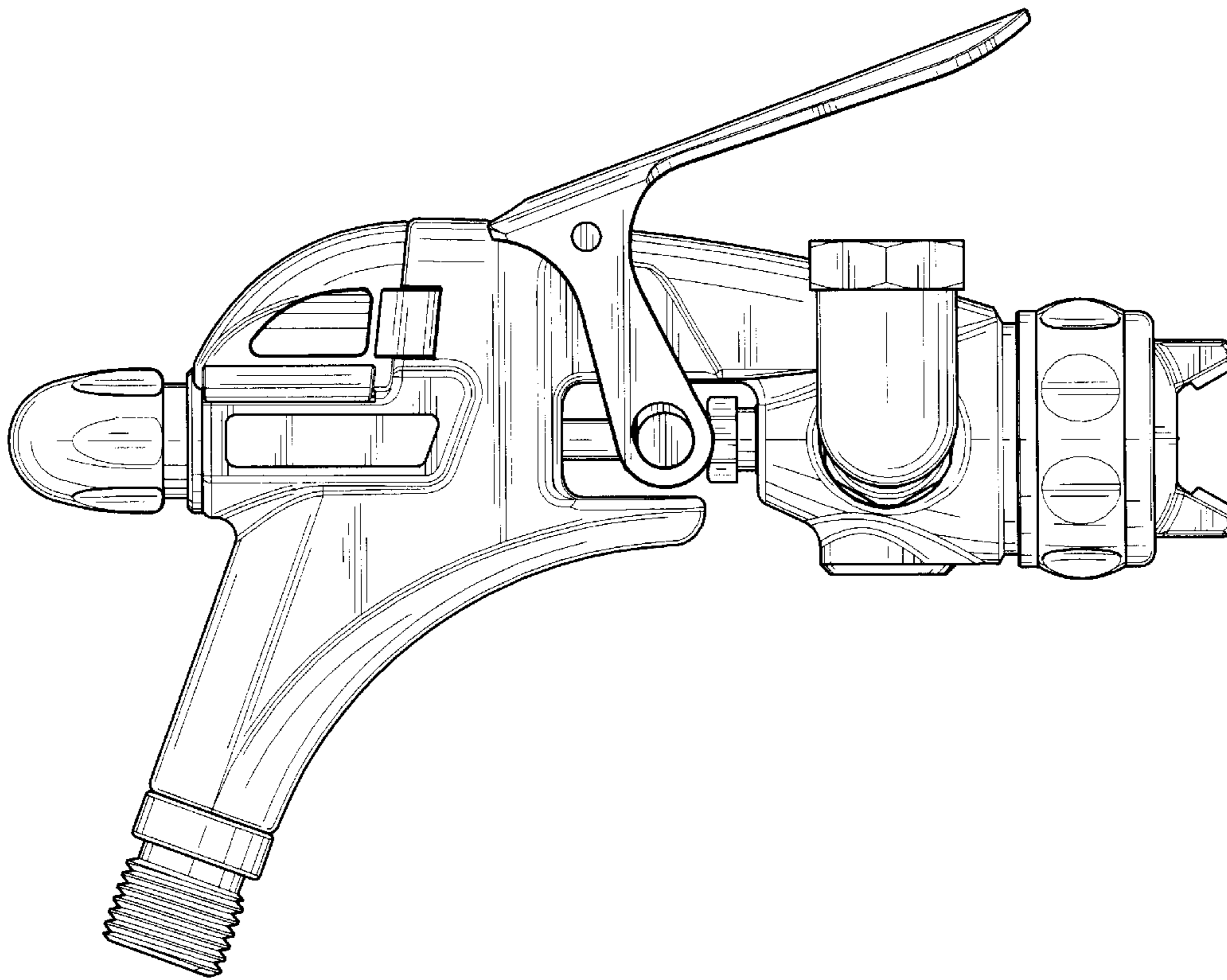


FIG. 4

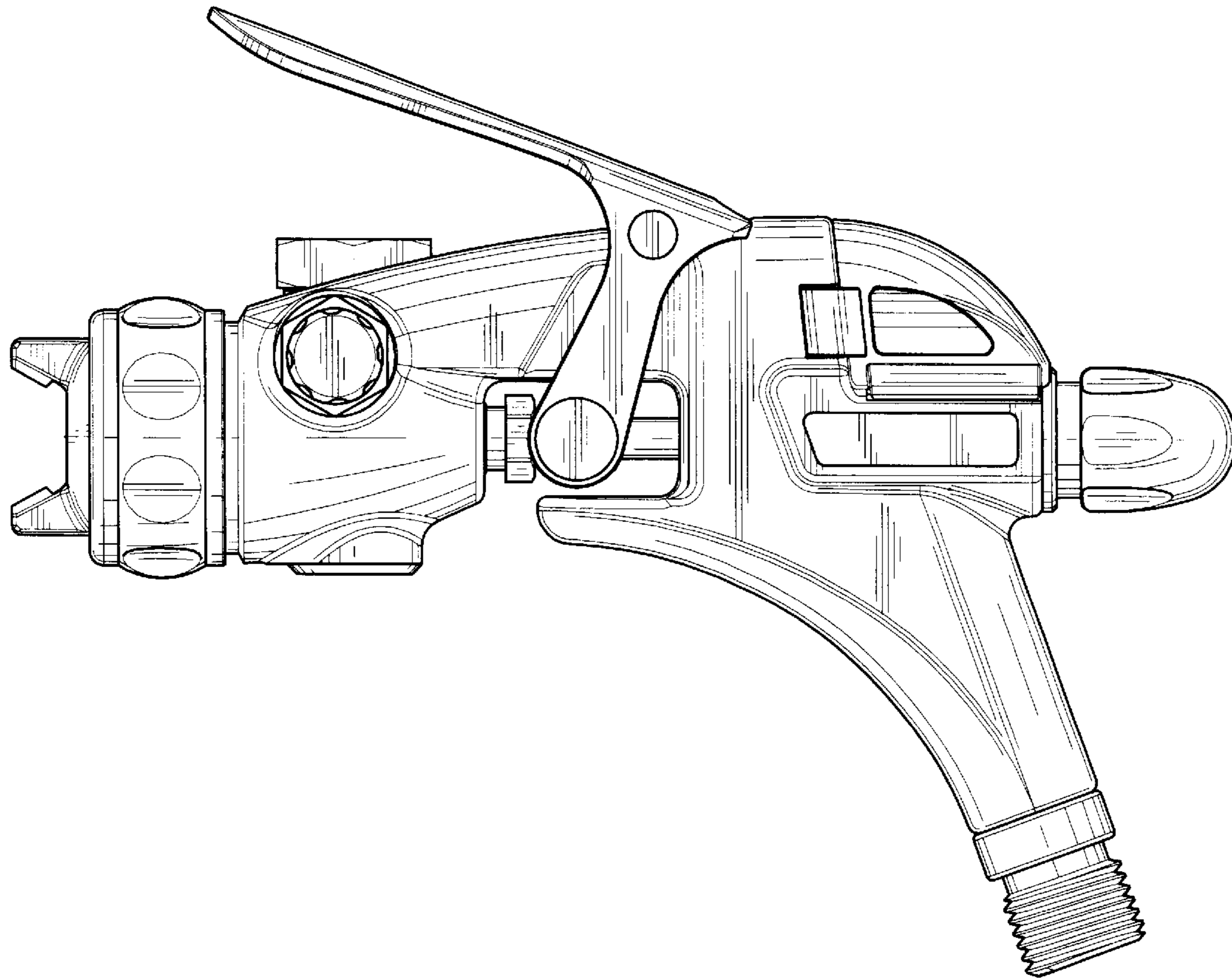


FIG. 5

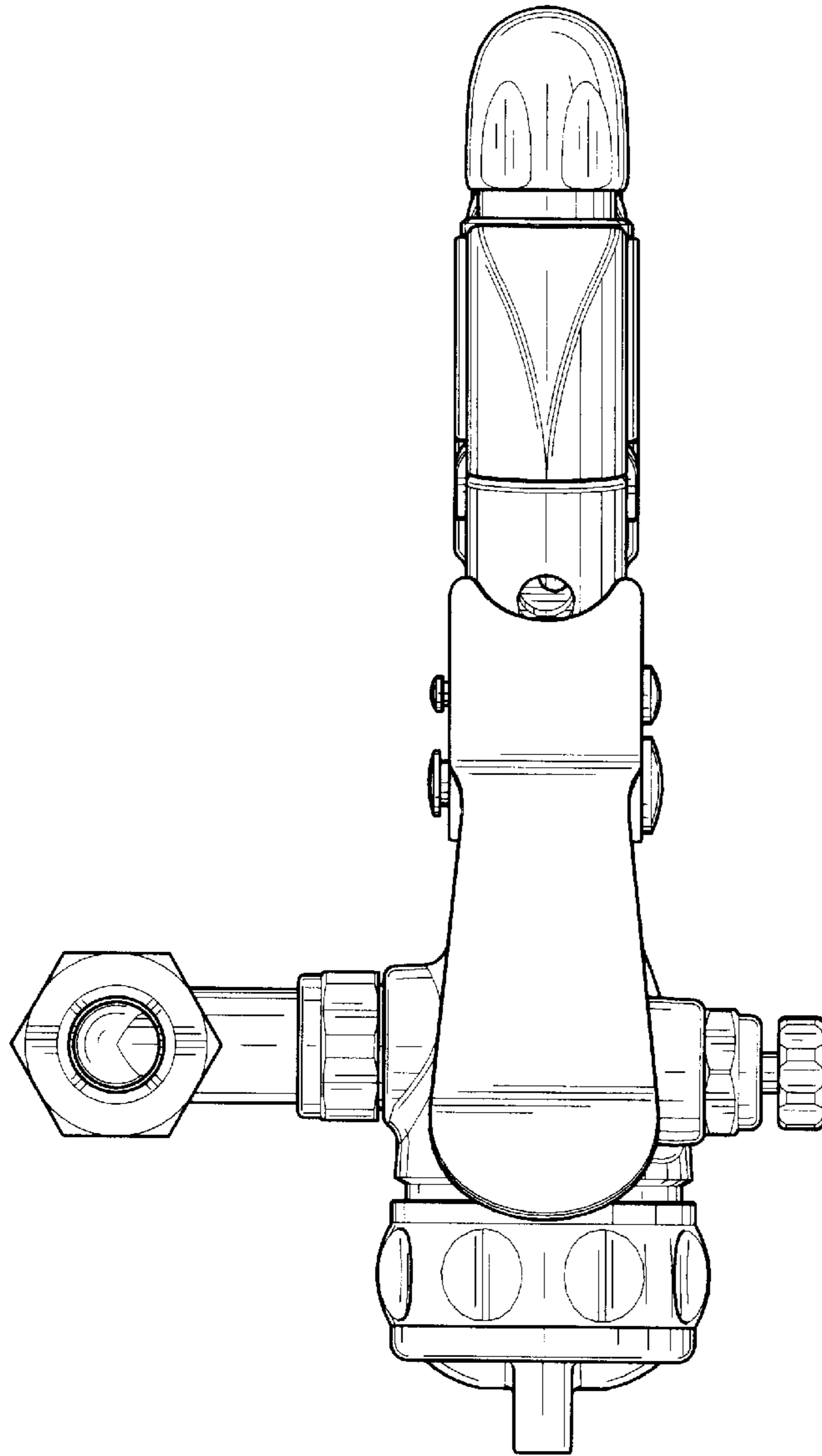


FIG. 6

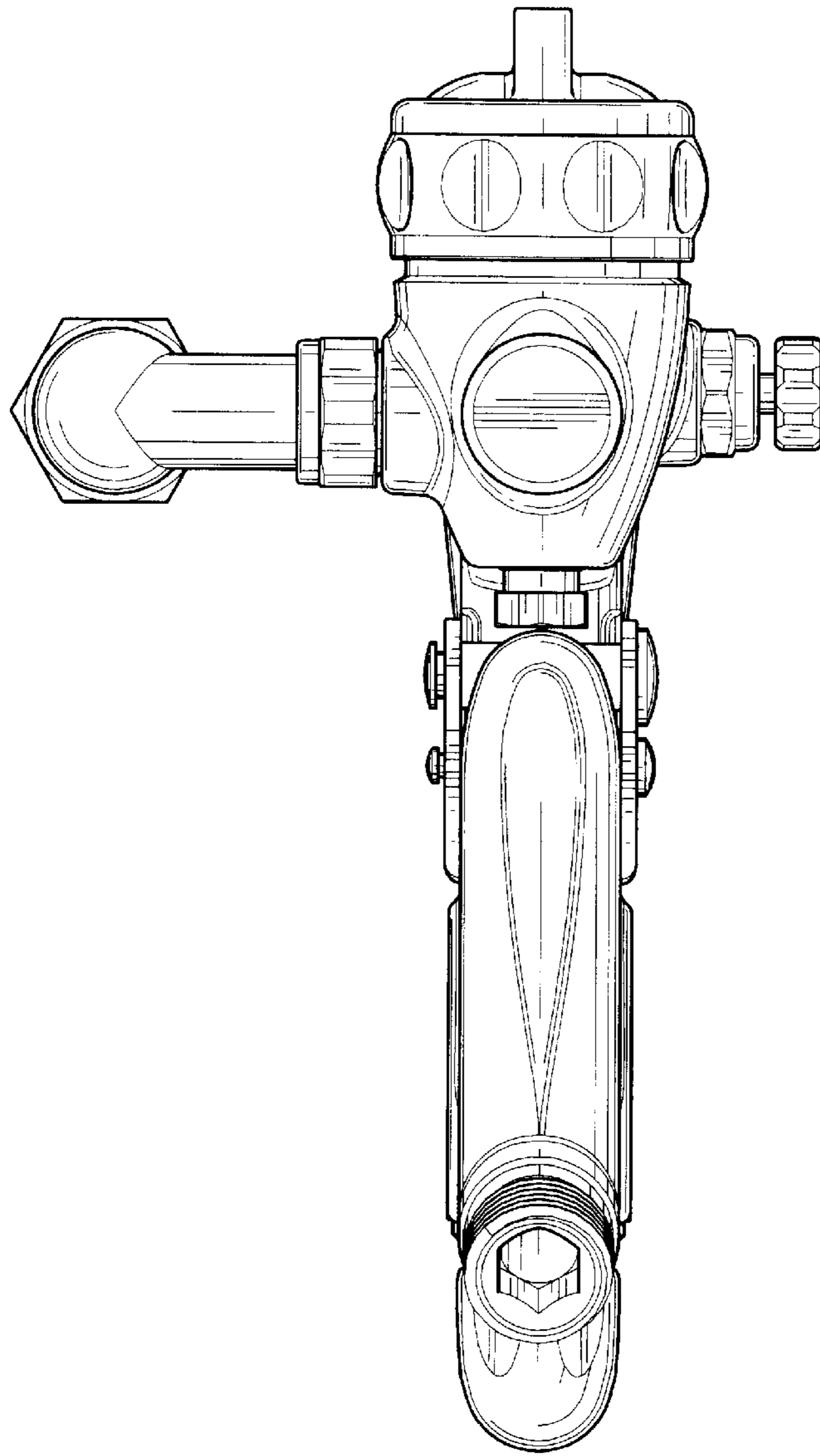


FIG. 7