



US00D537915S

(12) **United States Design Patent**
Hubmann et al.

(10) **Patent No.:** **US D537,915 S**

(45) **Date of Patent:** **** Mar. 6, 2007**

(54) **DISPENSING HEAD**

(75) Inventors: **Curtis H. Hubmann**, Racine, WI (US);
Robert C. Halstead, Enfield (GB);
Matthew E. Young, Cambs (GB);
Elizabeth A. Slater, Cambs (GB);
Richard I. Simpson, Cambridge (GB);
Reuben Wu, Saffron Walden (GB)

(73) Assignee: **JohnsonDiversey, Inc.**, Sturtevant, WI (US)

(**) Term: **14 Years**

(21) Appl. No.: **29/230,195**

(22) Filed: **Jun. 20, 2005**

Related U.S. Application Data

(62) Division of application No. 29/199,637, filed on Feb. 17, 2004, now Pat. No. Des. 509,560.

(51) **LOC (8) Cl.** **23-01**

(52) **U.S. Cl.** **D23/213; D23/225**

(58) **Field of Classification Search** D23/213,
D23/223, 225, 226; 239/302, 308, 316-318,
239/310, 324; D9/447, 448

See application file for complete search history.

(56) **References Cited**

U.S. PATENT DOCUMENTS

1,721,726 A	7/1929	Boe	
2,788,244 A	4/1957	Gilmour	299/84
2,991,939 A	7/1961	Packard	239/114
3,145,735 A	8/1964	Osrow et al.	137/604
3,412,937 A	11/1968	Chamberlain	239/142
3,863,843 A	2/1975	Hechler, IV	239/318
3,964,689 A	6/1976	Horvath, Jr.	239/318
4,475,689 A	10/1984	Hauger et al.	239/318
D295,214 S	4/1988	Miller	D23/225
D296,813 S	7/1988	Ellison	D23/225

D302,201 S	7/1989	Hengesbach	D23/213
D305,452 S	1/1990	Morgan	D23/225
4,901,923 A	2/1990	McRoskey et al.	239/123
D307,463 S	4/1990	Fushiya et al.	D23/225
4,969,603 A	11/1990	Norman	239/318
5,259,557 A	11/1993	Spriggs et al.	239/304
D358,865 S	5/1995	Englhard et al.	D23/213
D378,493 S	3/1997	Subbaraman et al.	D9/524
5,996,907 A	12/1999	Toetschinger et al.	239/305
D432,208 S	10/2000	Beaver et al.	D23/225
6,158,673 A	12/2000	Toetschinger et al.	239/305
6,182,911 B1	2/2001	Hanks et al.	239/318
D445,872 S	7/2001	Ketcham et al.	D23/225
D466,584 S	12/2002	Hubmann et al.	D23/213
D480,124 S	9/2003	Hubmann et al.	D23/213
D484,946 S	1/2004	Hubmann et al.	D23/225

Primary Examiner—Robin Webster

(74) *Attorney, Agent, or Firm*—Gregory S. Bollis; Neil E. Hamilton; James J. Sales

(57) **CLAIM**

The ornamental design for a dispensing head, as shown and described.

DESCRIPTION

The nature of this product is as a dispenser for liquids primarily used for cleaning and sanitizing solutions.

FIG. 1 is a right, rear, perspective view of an embodiment of a dispensing head embodying our new design;

FIG. 2 is a right side elevational view thereof, the left side elevational view thereof being a mirror image of the right side shown;

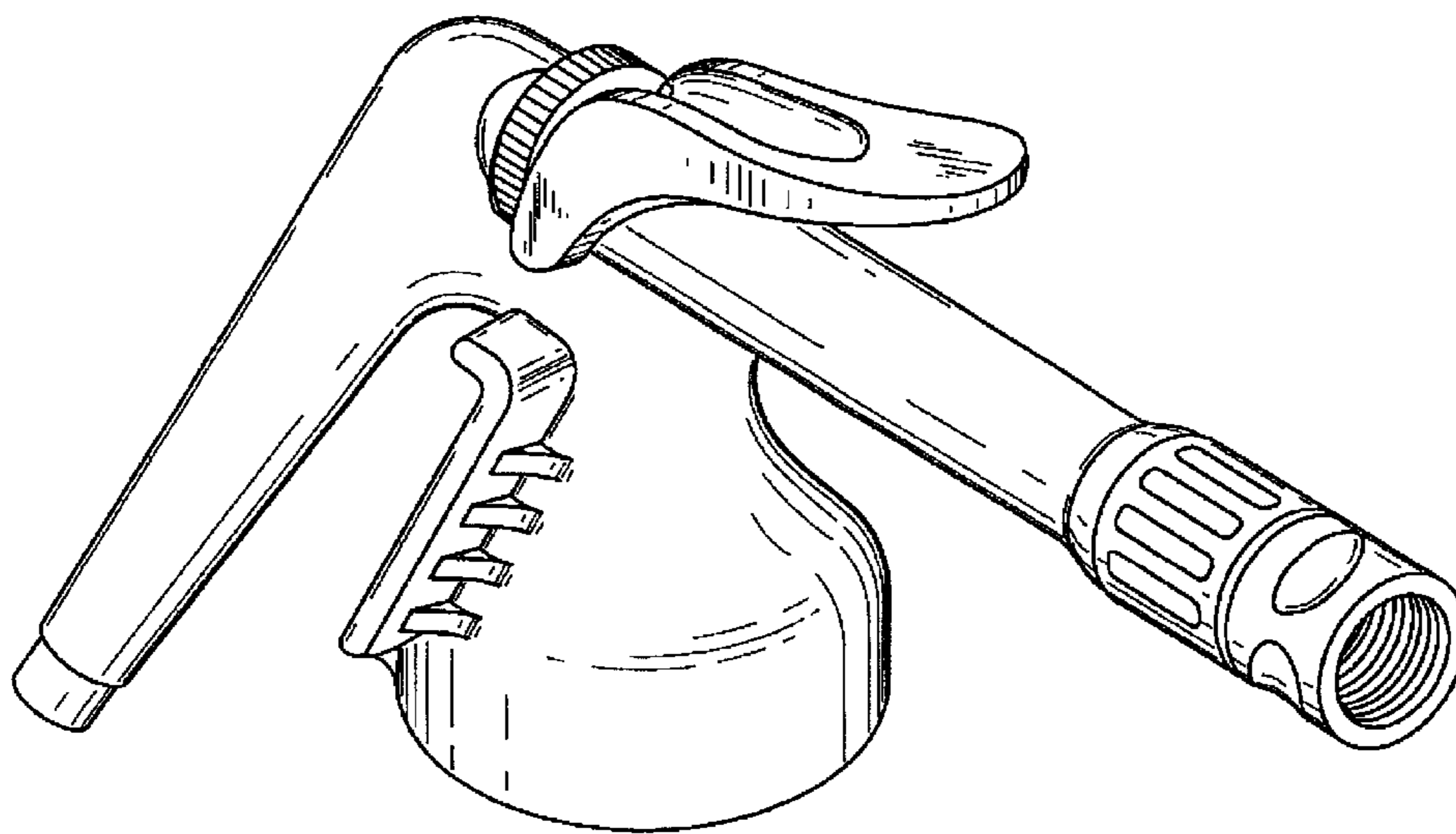
FIG. 3 is a rear elevational view thereof;

FIG. 4 is a front elevational view thereof;

FIG. 5 is a top plan view thereof.

The broken line representations of the bottle in FIG. 2 is for illustrative purposes only and forms no part of the claimed design.

1 Claim, 3 Drawing Sheets



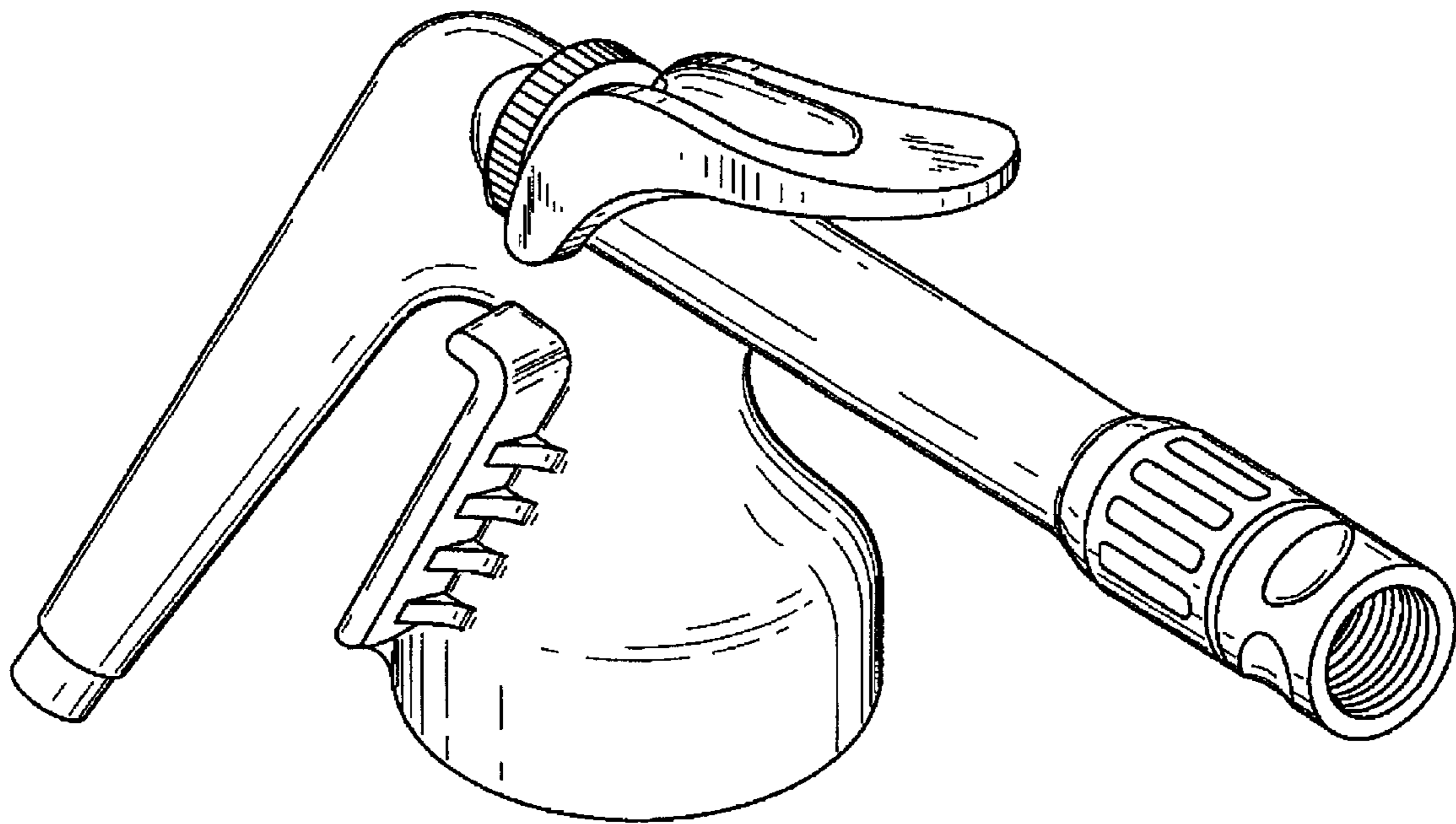


Fig. 1

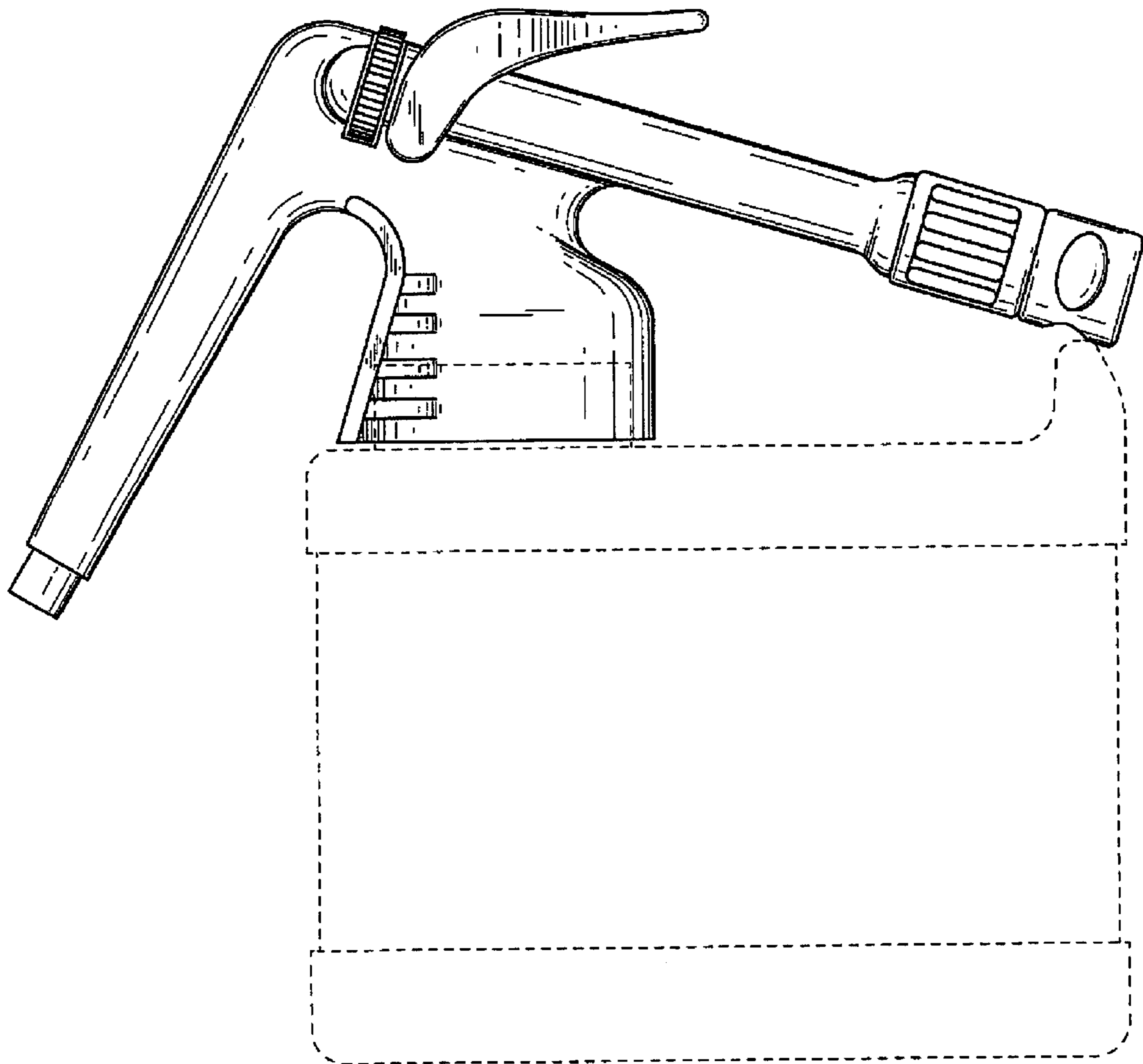


Fig. 2

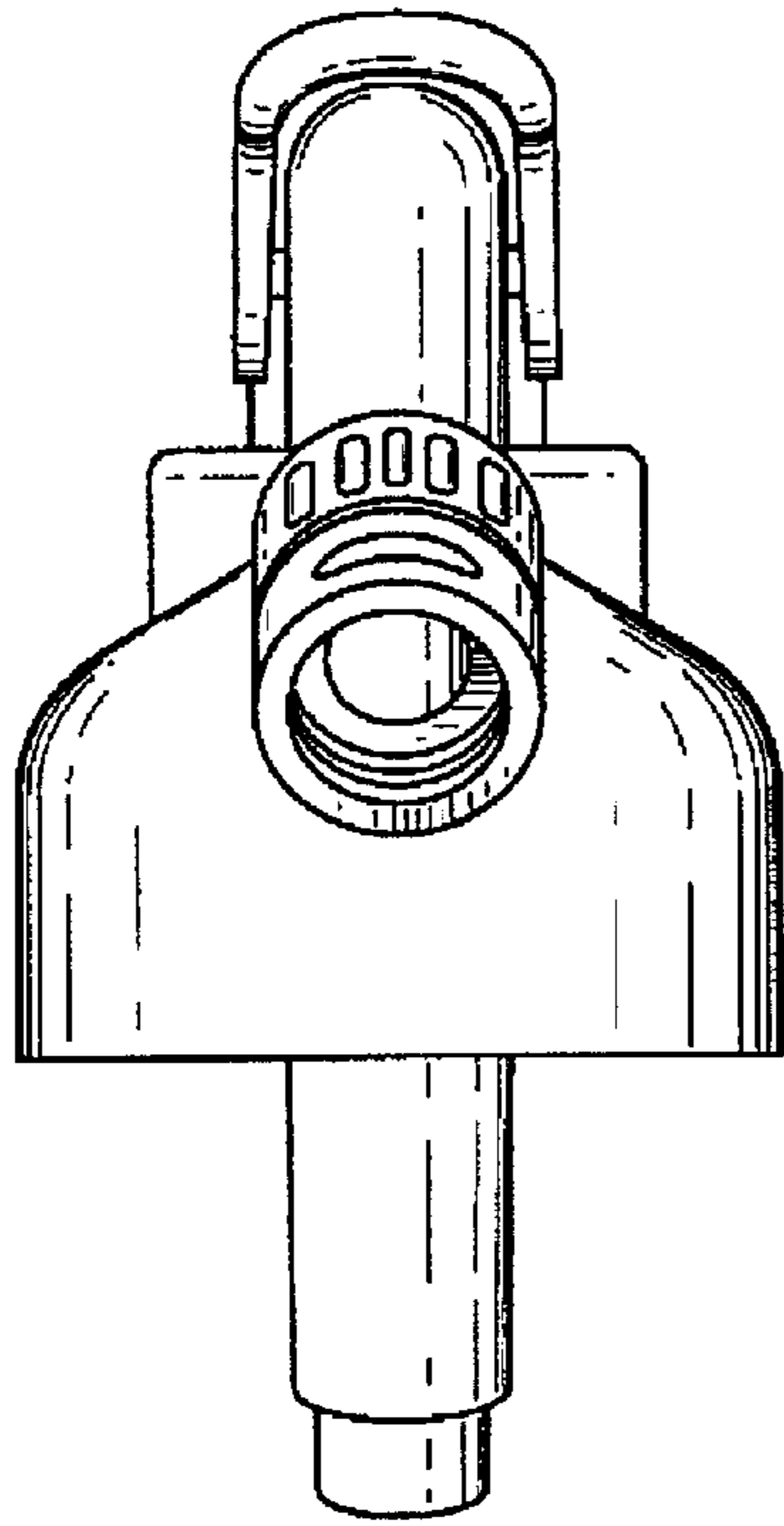


Fig. 3

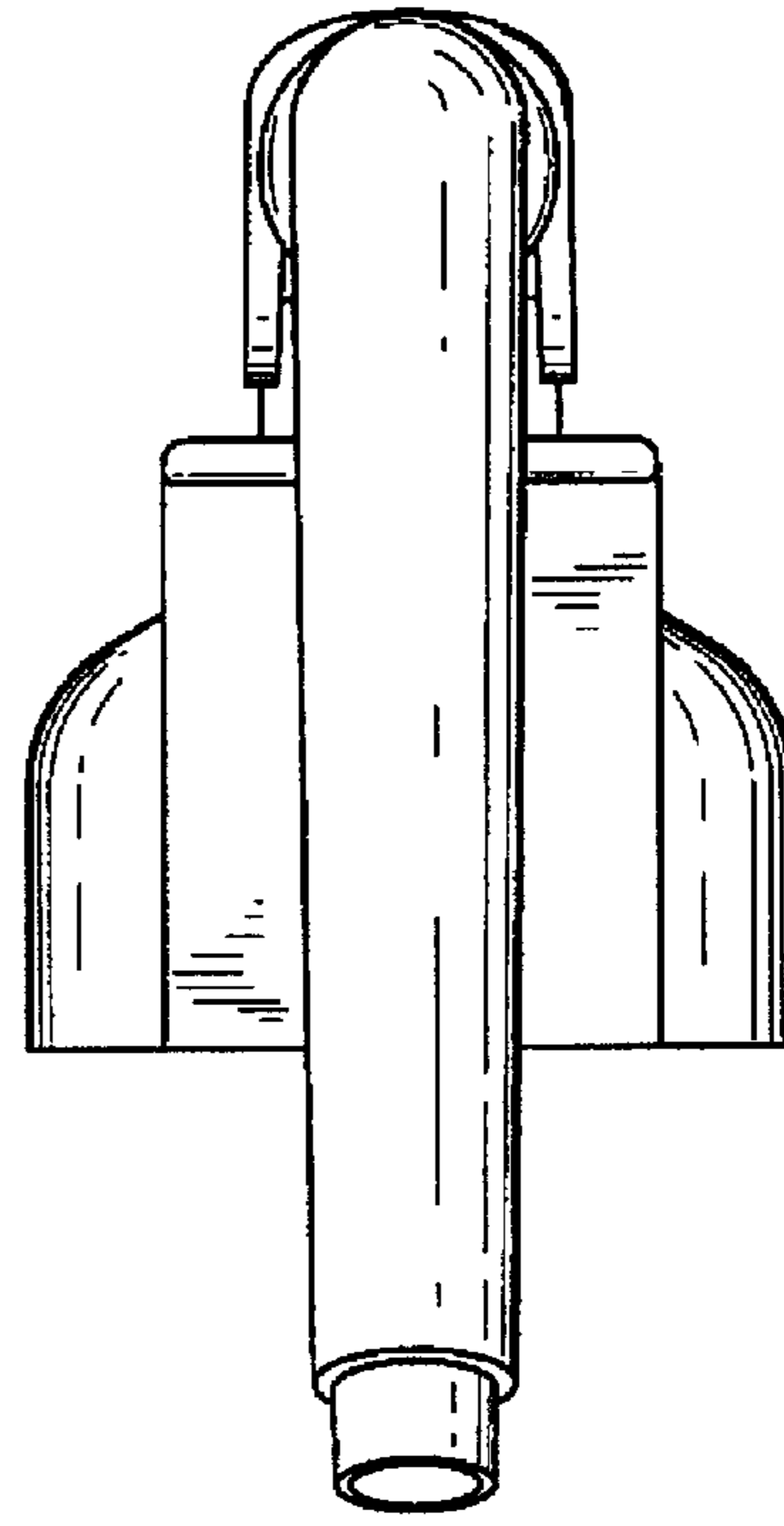


Fig. 4

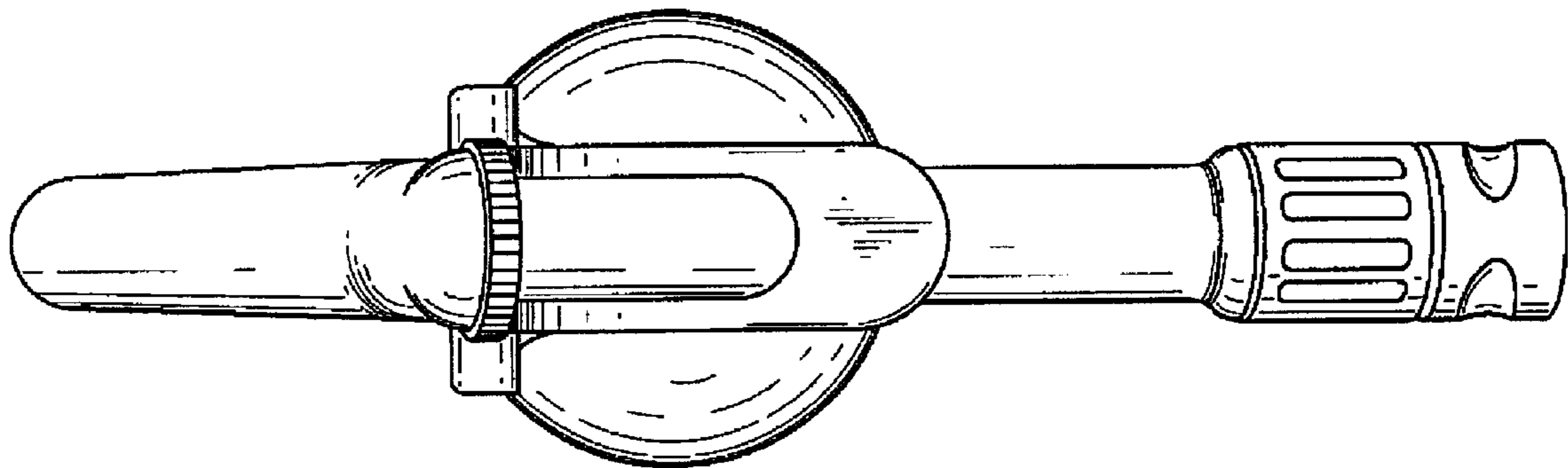


Fig. 5