



US00D537913S

(12) **United States Design Patent**
Biberger et al.

(10) **Patent No.:** **US D537,913 S**
(45) **Date of Patent:** **** Mar. 6, 2007**

- (54) **FLOATING HOUSING**
- (75) Inventors: **Maximilian A. Biberger**, Scottsdale, AZ (US); **Michael Lee Manasco**, Tempe, AZ (US)
- (73) Assignee: **Hitek Aqua Systems, LLC**, Tempe, AZ (US)
- (**) Term: **14 Years**
- (21) Appl. No.: **29/232,742**
- (22) Filed: **Jun. 22, 2005**
- (51) **LOC (8) Cl.** **23-01**
- (52) **U.S. Cl.** **D23/208**
- (58) **Field of Classification Search** D23/210, D23/208; 210/241, 242.2, 242.3, 242.1, 169
See application file for complete search history.

6,340,431	B2	1/2002	Khan	210/85
6,488,841	B2	* 12/2002	Glasgow	210/122
6,579,446	B1	6/2003	Teran et al.	210/85
6,653,842	B2	11/2003	Mosley et al.	324/446
6,697,706	B2	2/2004	Gardner, Jr.	700/244
6,713,298	B2	3/2004	McDevitt et al.	435/287.8
2002/0035403	A1	3/2002	Clark et al.	700/65

* cited by examiner

Primary Examiner—Robin Webster

(74) *Attorney, Agent, or Firm*—Haverstock & Owens LLP

(57) **CLAIM**

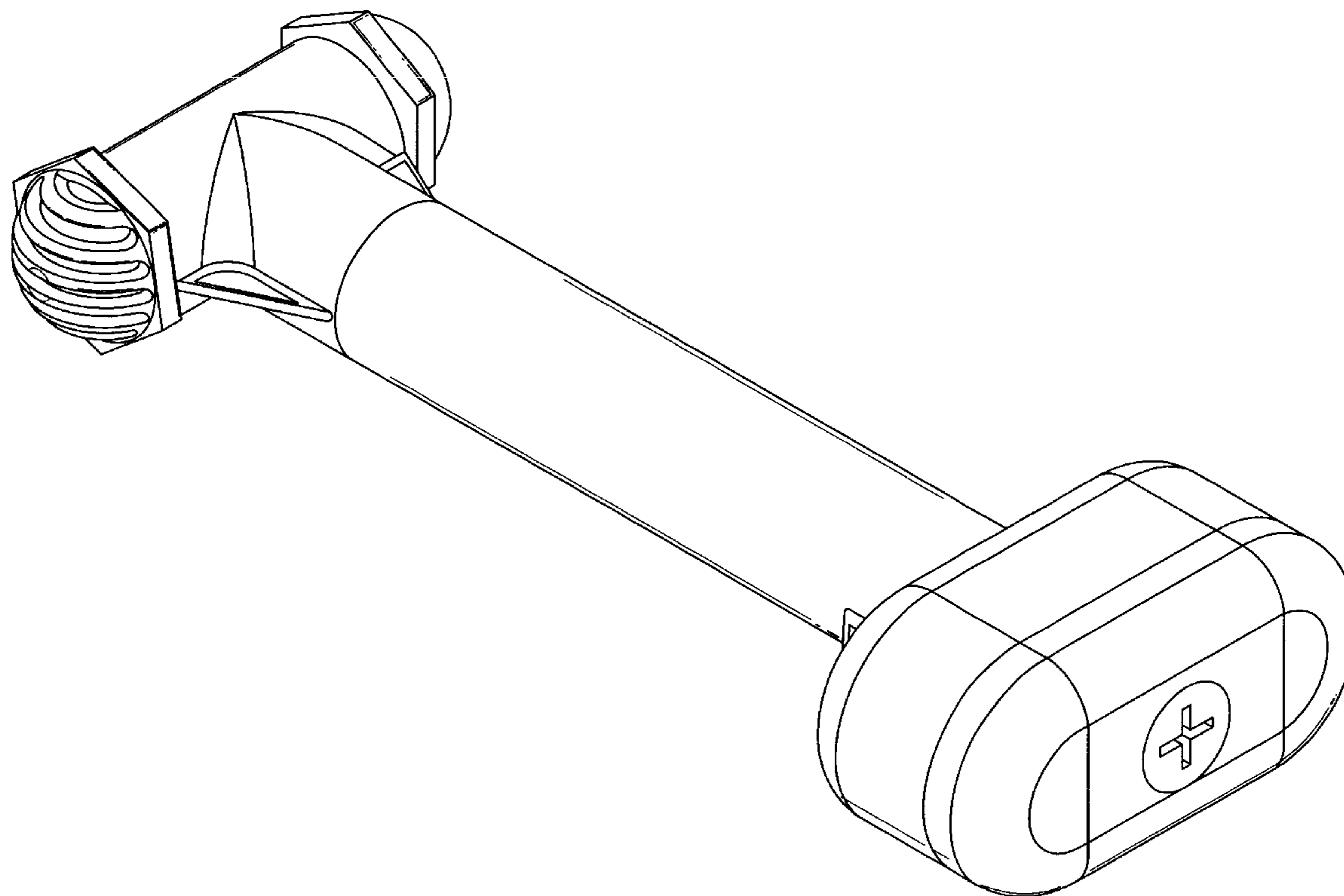
We claim the ornamental design for floating housing, as shown and described.

DESCRIPTION

FIG. 1 is a top perspective view of floating housing showing our new design;
 FIG. 2 is a front elevational view thereof;
 FIG. 3 is a rear elevational view thereof;
 FIG. 4 is a left side elevational view thereof;
 FIG. 5 is a right side elevational view thereof;
 FIG. 6 is a top view thereof; and,
 FIG. 7 is a bottom view thereof.

1 Claim, 6 Drawing Sheets

- (56) **References Cited**
U.S. PATENT DOCUMENTS
- | | | | | | | |
|-----------|---|---|---------|----------------|-------|---------|
| D326,309 | S | * | 5/1992 | Kendrick | | D23/208 |
| 5,422,014 | A | | 6/1995 | Allen et al. | | 210/743 |
| 5,681,110 | A | | 10/1997 | Burzacchi | | 374/156 |
| 5,788,826 | A | | 8/1998 | Nyberg | | 204/536 |
| D422,676 | S | * | 4/2000 | Conover et al. | | D23/208 |



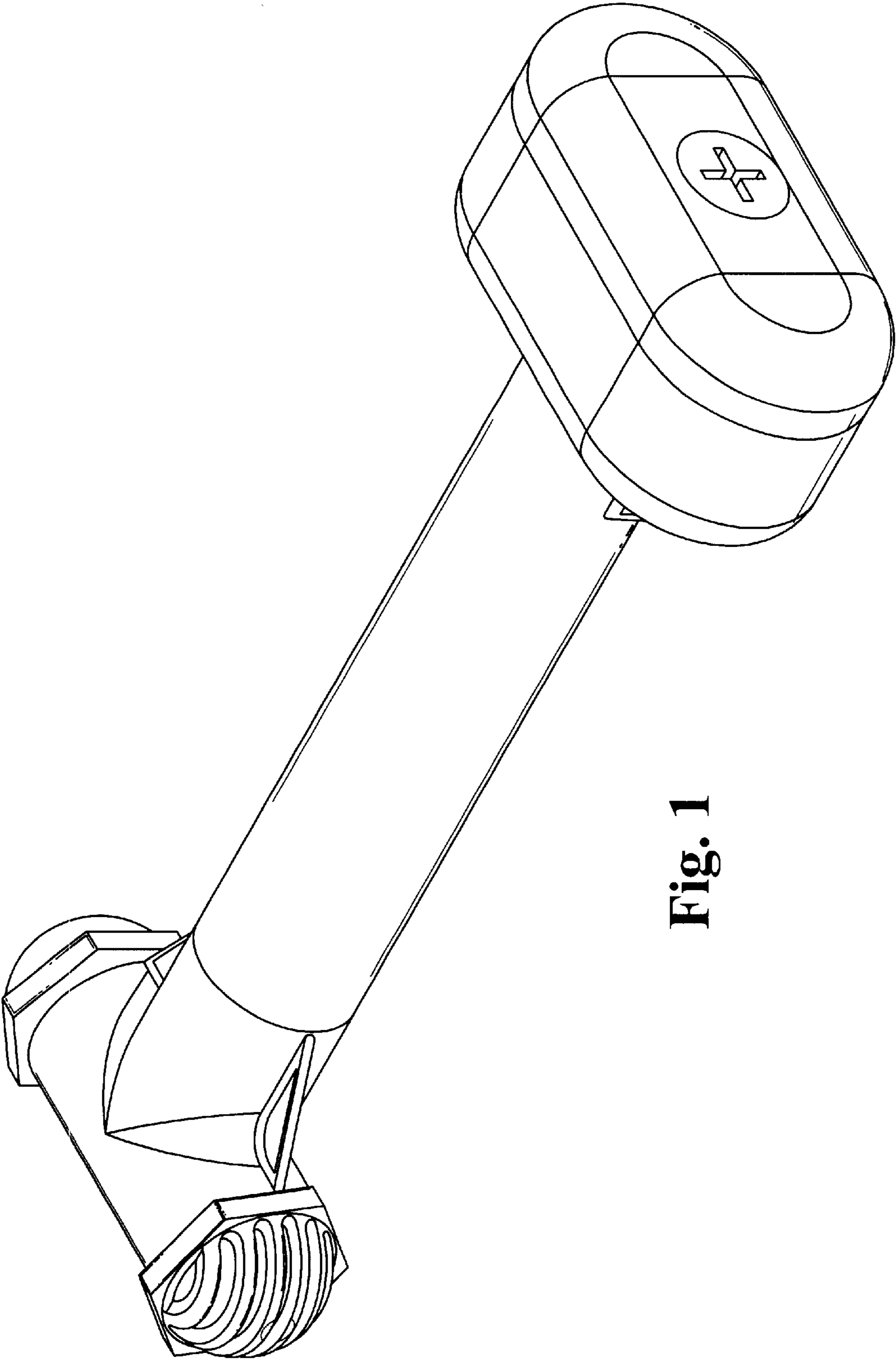


Fig. 1

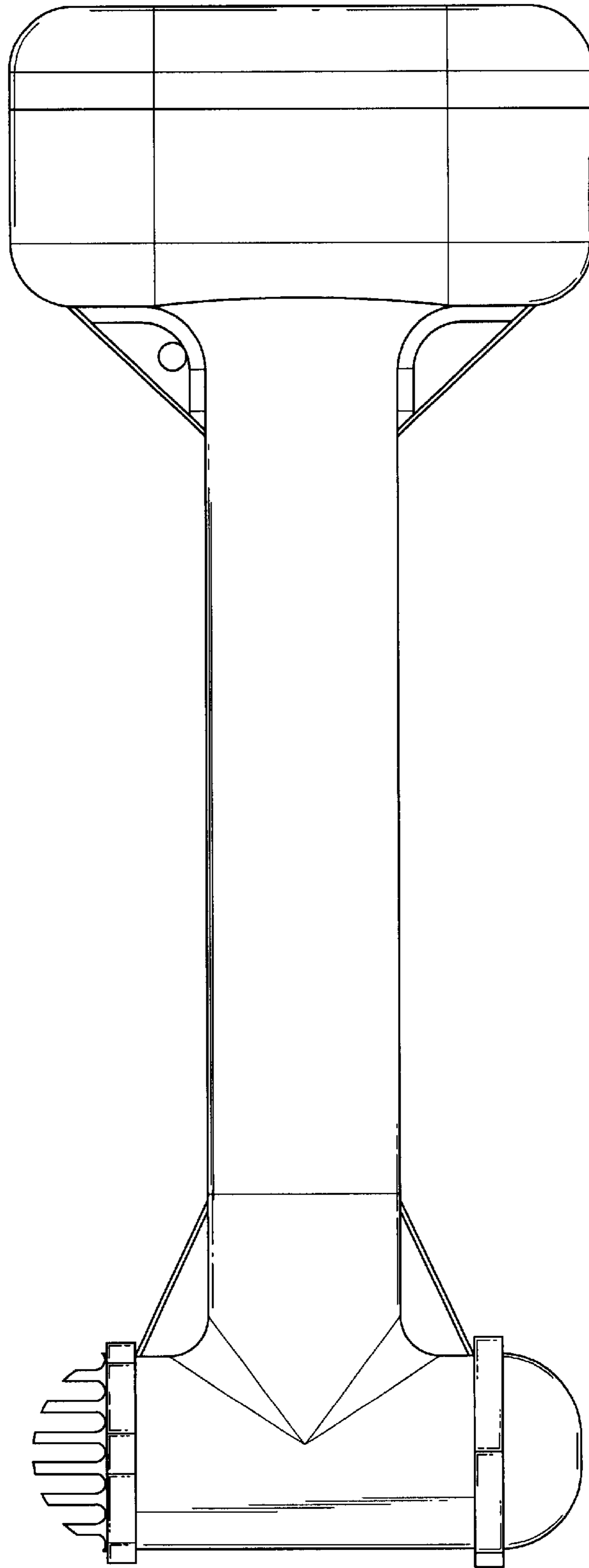


Fig. 2

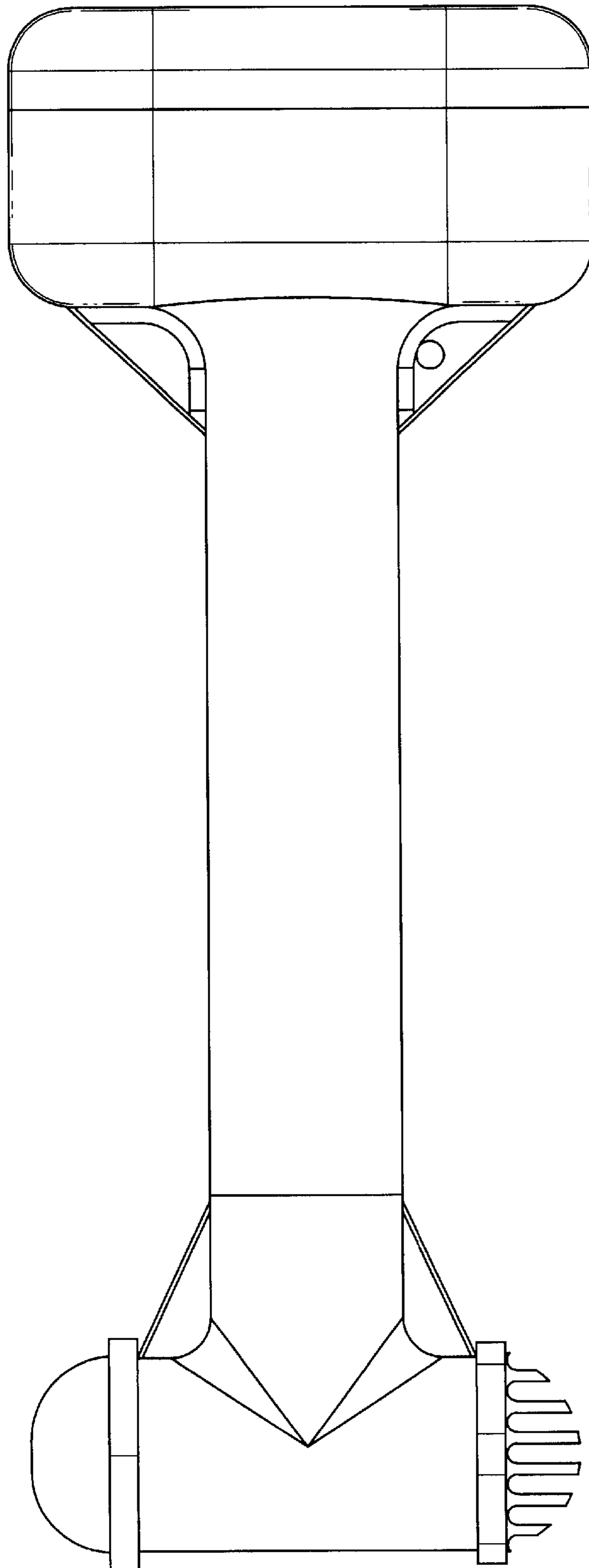


Fig. 3

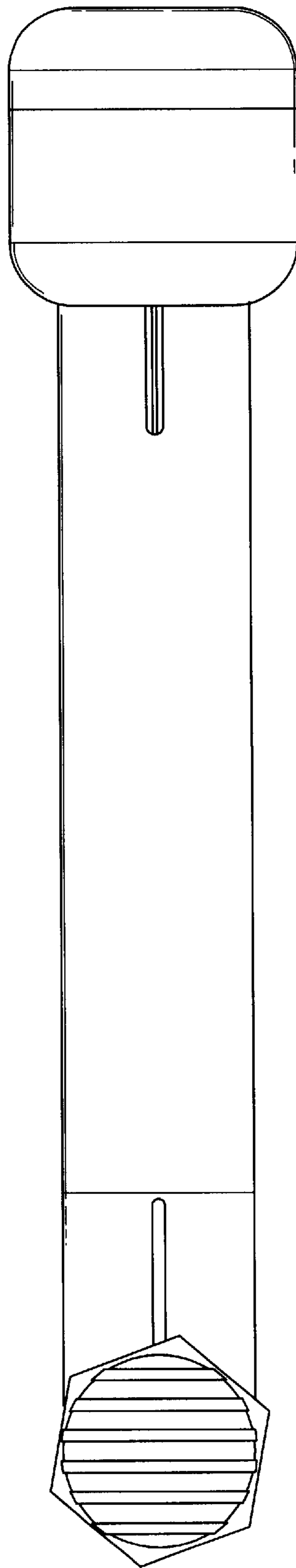


Fig. 4

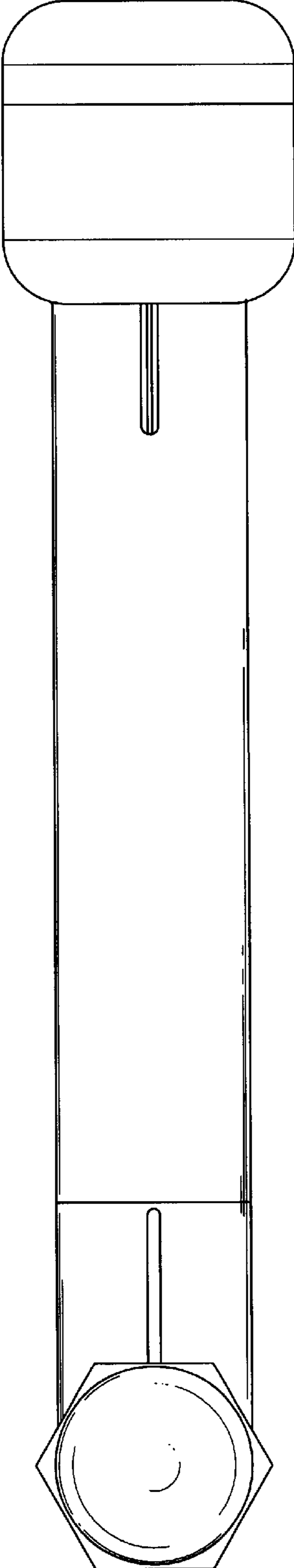


Fig. 5

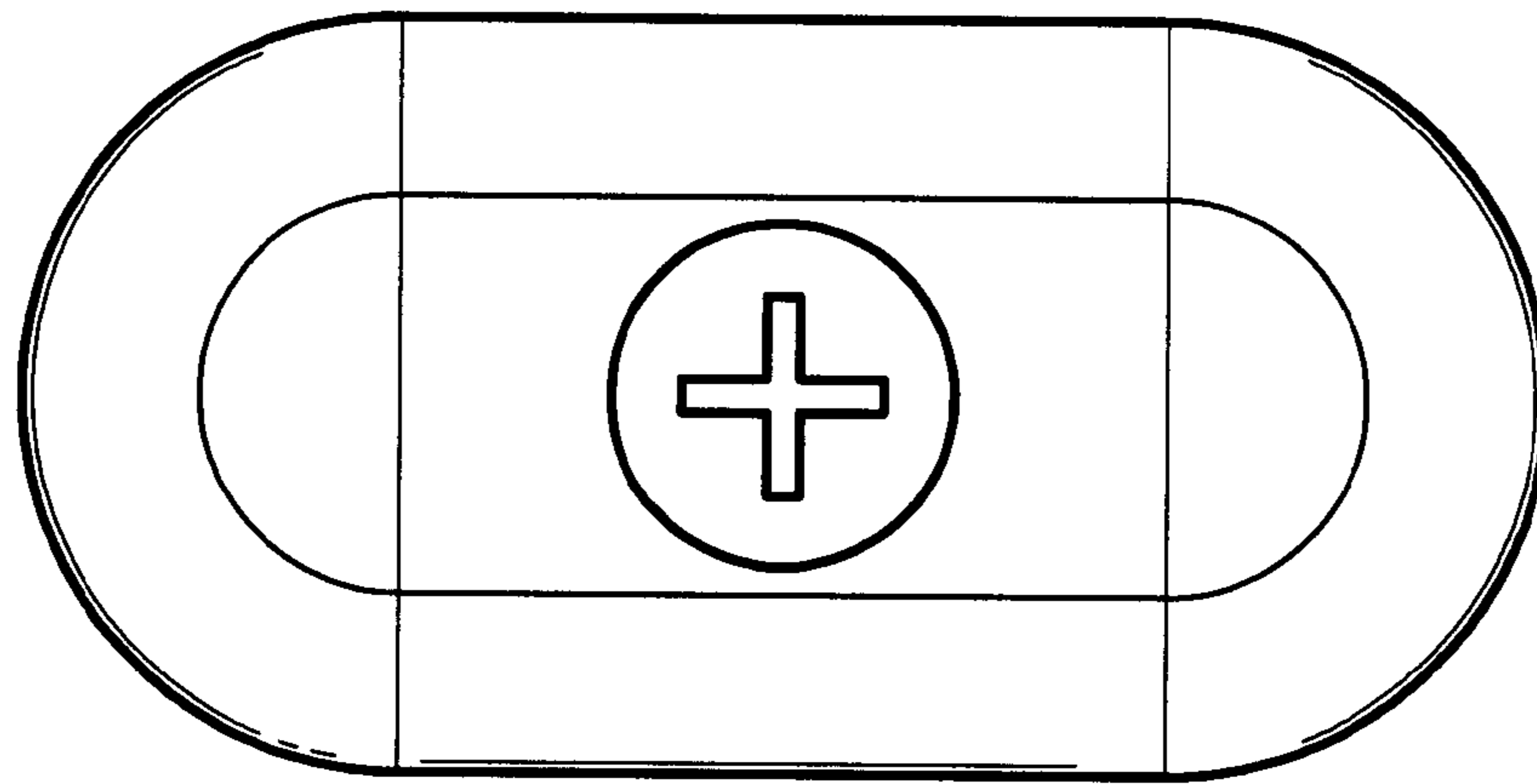


Fig. 6

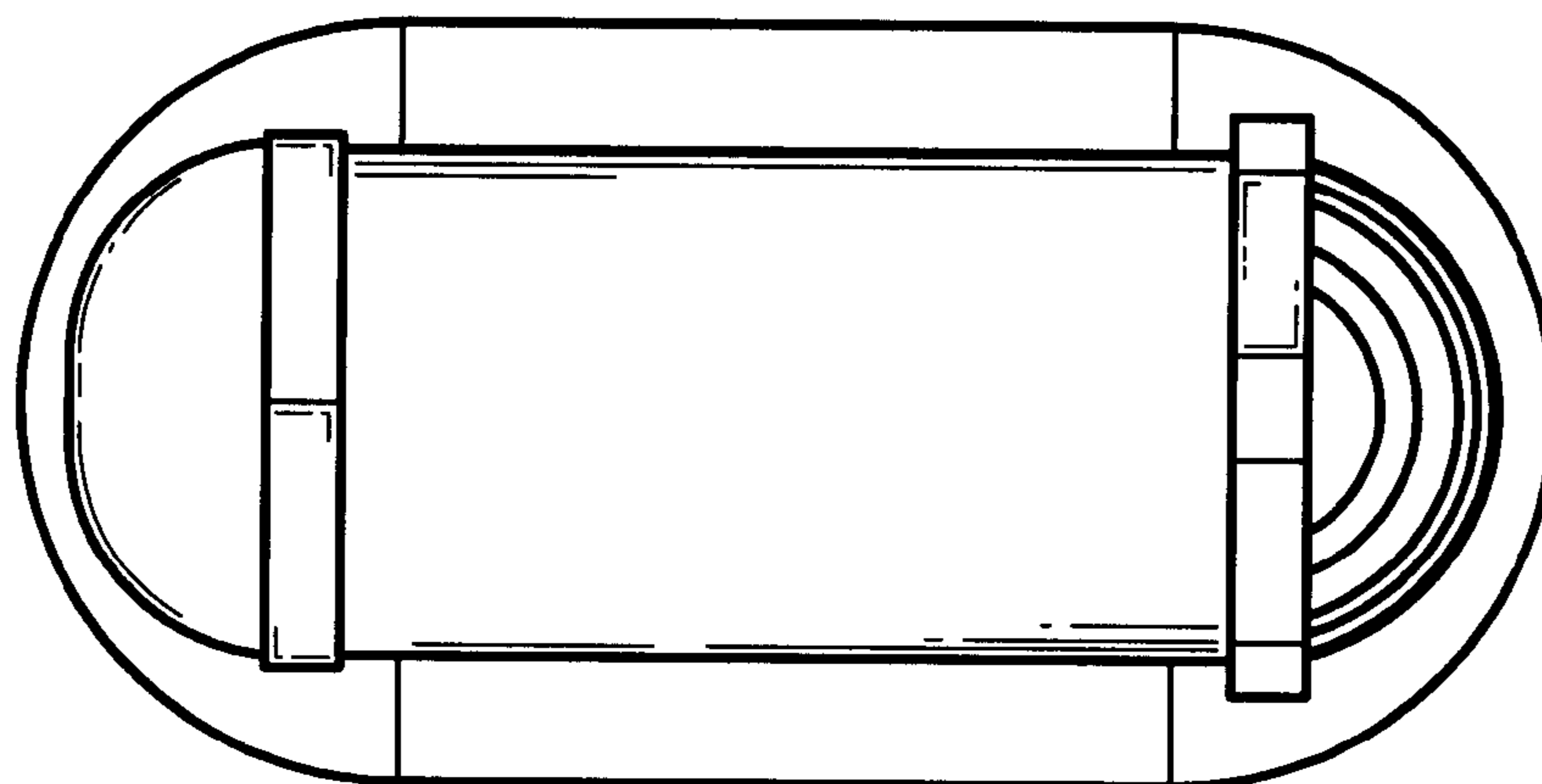


Fig. 7