



US00D537908S

(12) **United States Design Patent**
Chen

(10) **Patent No.:** **US D537,908 S**

(45) **Date of Patent:** **** Mar. 6, 2007**

(54) **SOLAR POWERED INSECT
EXTERMINATOR**

D291,226 S * 8/1987 Wan D22/123
D293,014 S * 12/1987 Davis D22/123
D335,910 S * 5/1993 Cheshire, Jr. D22/123
D370,313 S * 5/1996 Nottingham et al. D30/111

(75) Inventor: **Chi Gon Chen**, Guang Zhou (CN)

* cited by examiner

(73) Assignee: **International Development Corp.**,
Roanoke, TX (US)

Primary Examiner—Catherin R. Oliver

(**) Term: **14 Years**

(74) *Attorney, Agent, or Firm*—Strasburger & Price, LLP

(21) Appl. No.: **29/256,761**

(57) **CLAIM**

(22) Filed: **Mar. 23, 2006**

The ornamental design for a solar powered insect exterminator, as shown and described.

(51) **LOC (8) Cl.** **22-06**

DESCRIPTION

(52) **U.S. Cl.** **D22/123**

(58) **Field of Classification Search** D22/119–125;
43/107, 112–113, 124, 131; D26/37
See application file for complete search history.

FIG. 1 is a front elevational view of the solar powered insect exterminator;

FIG. 2 is a top view; and,

FIG. 3 is a bottom view.

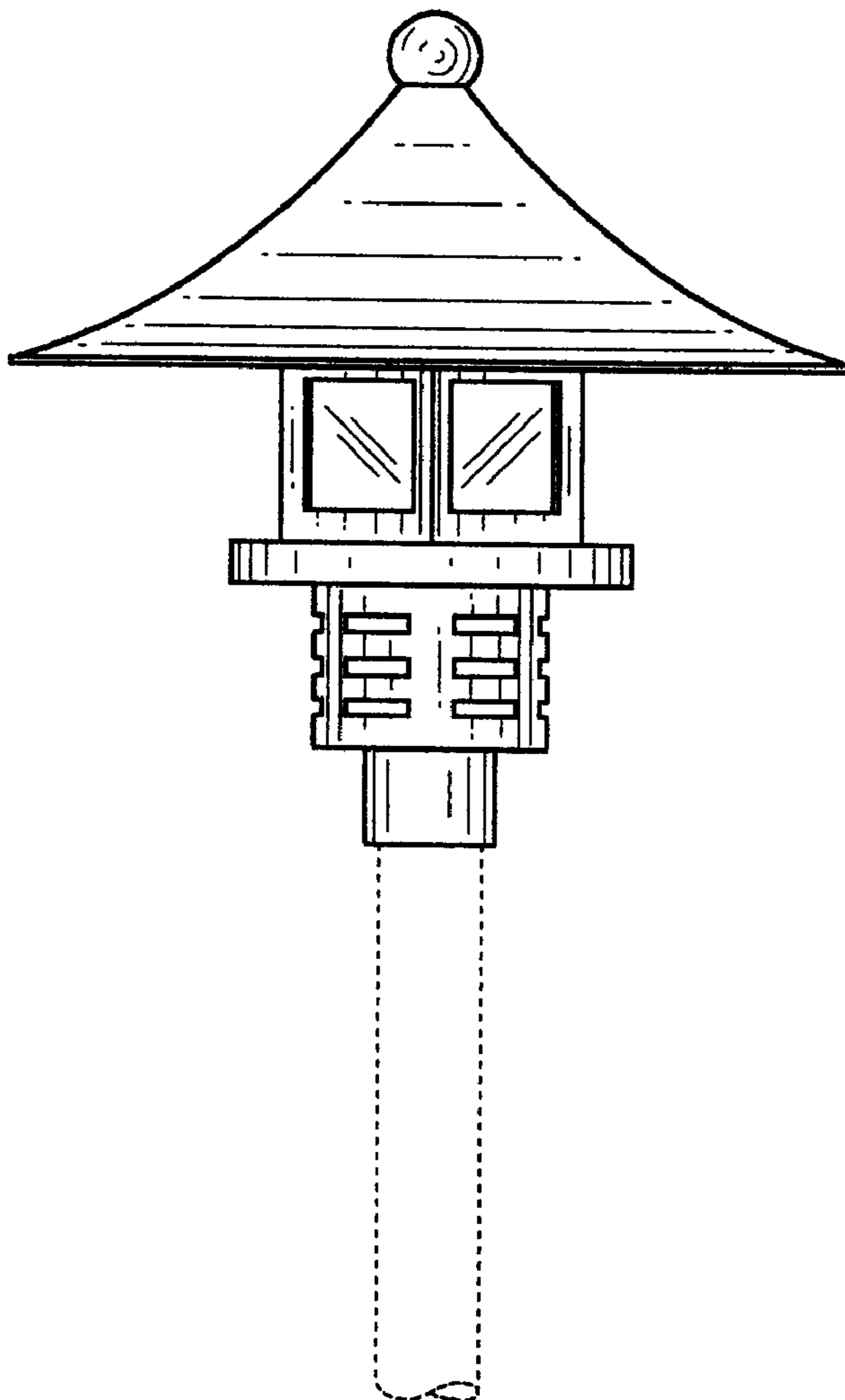
The broken line showing of environment in the drawings is included for the purpose of illustrating only and forms no part of the claimed design.

(56) **References Cited**

U.S. PATENT DOCUMENTS

D217,086 S * 4/1970 Miller D22/123

1 Claim, 1 Drawing Sheet



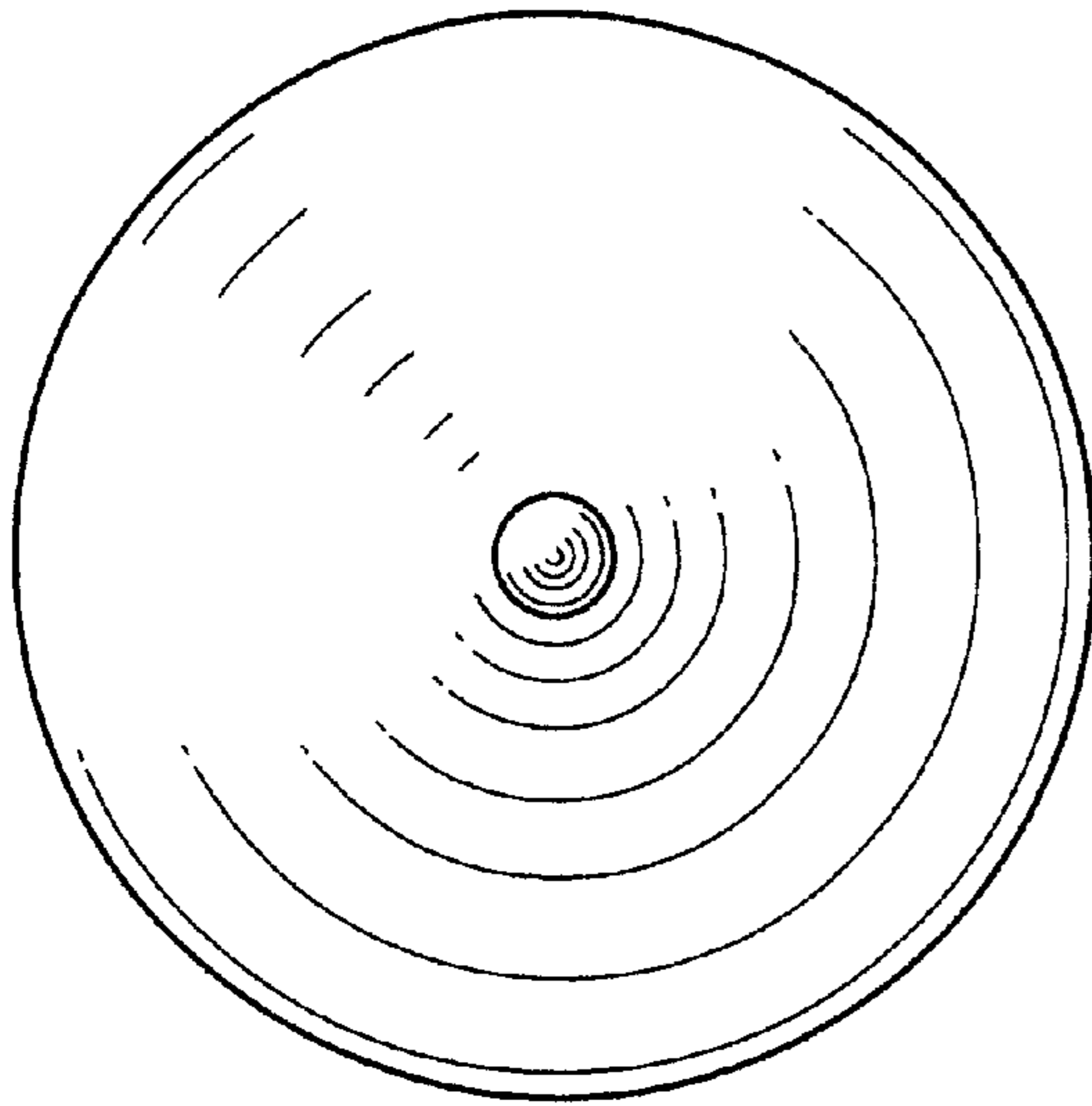


Fig. 2

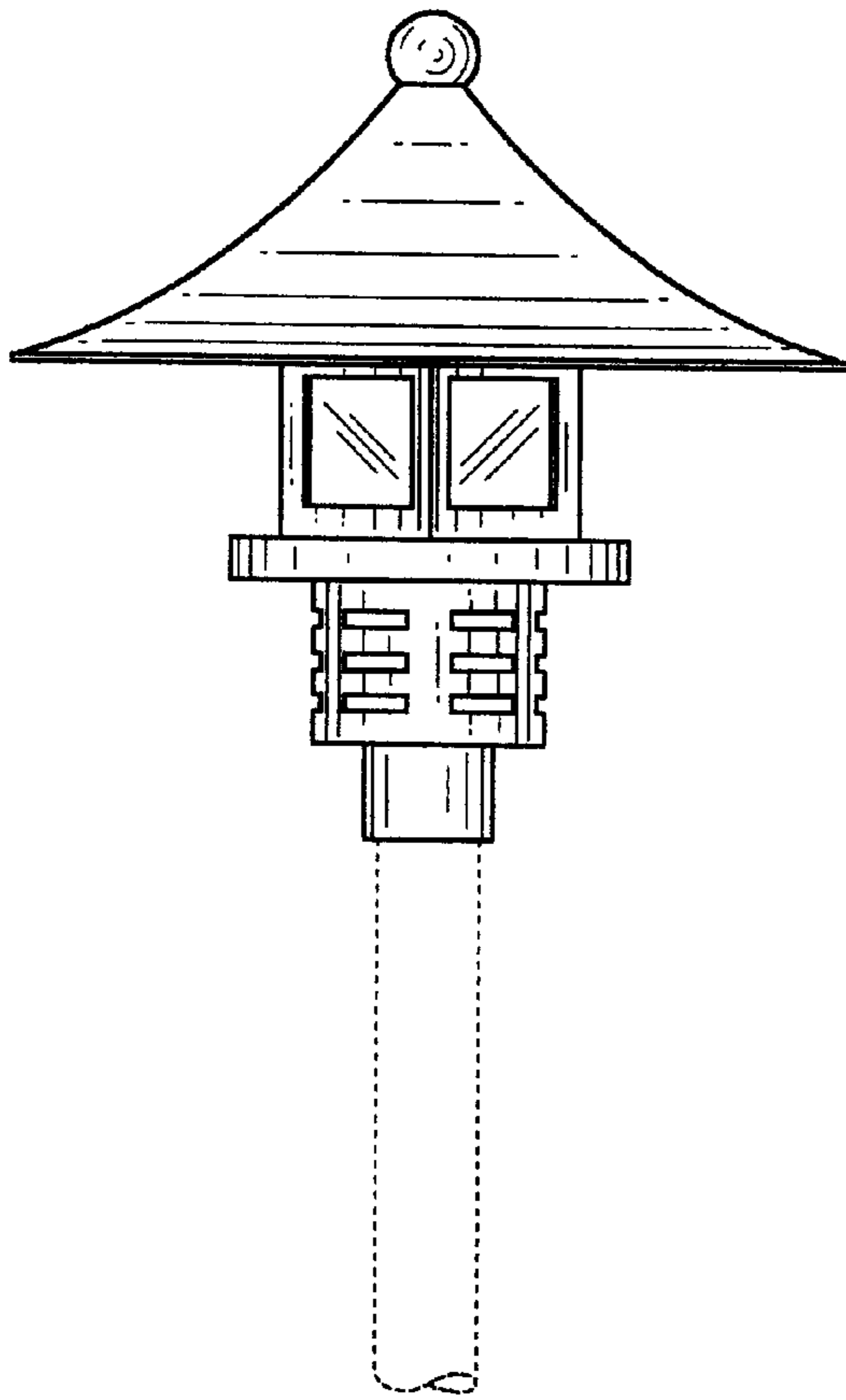


Fig. 1

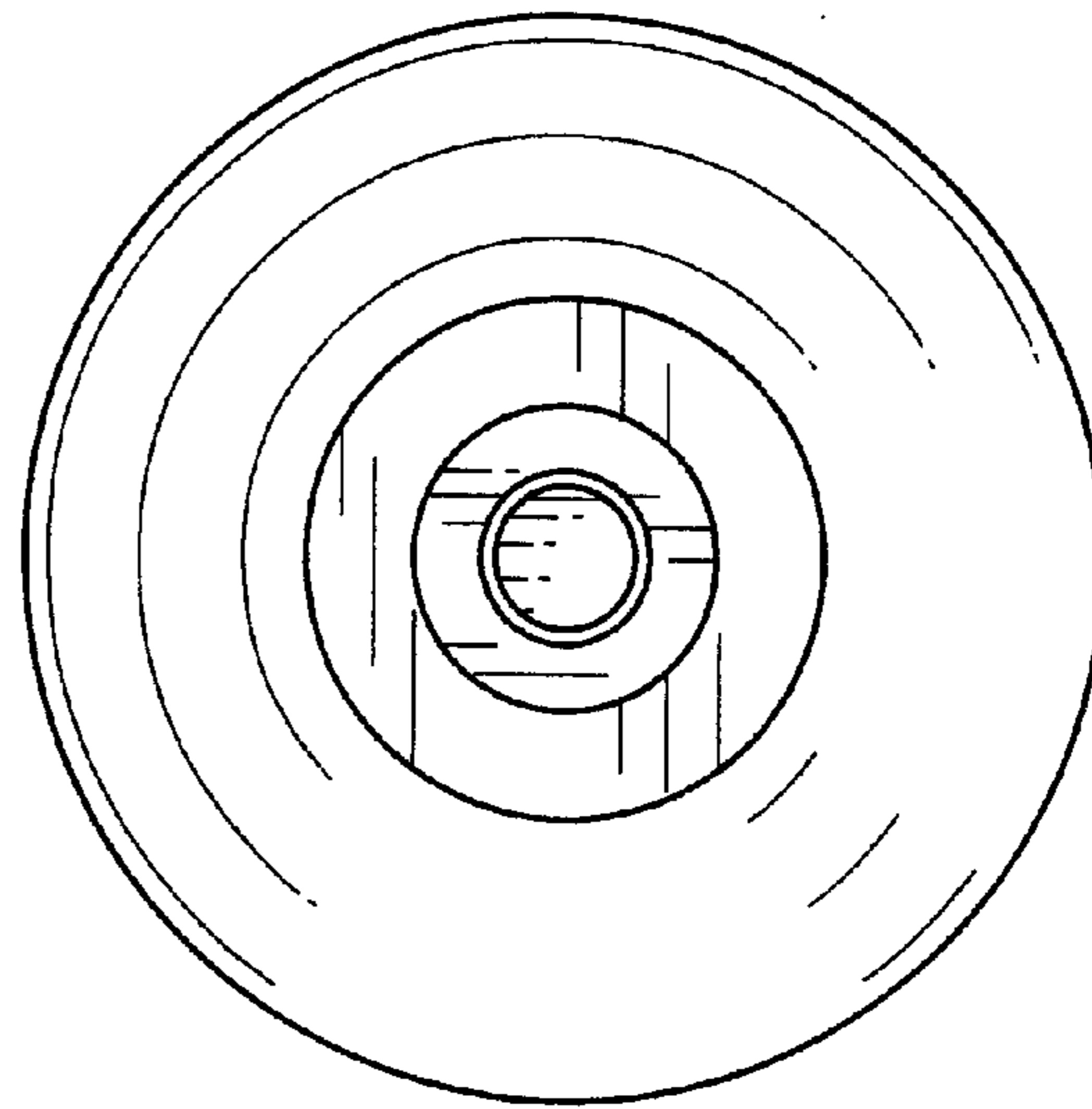


Fig. 3