



US00D537902S

(12) **United States Design Patent**
Elkaim

(10) **Patent No.:** **US D537,902 S**

(45) **Date of Patent:** **** Mar. 6, 2007**

(54) **HAND GUARD PIECE**

(76) Inventor: **Charles Elkaim**, 9061 E. Captain
Dryfus Ave., Scottsdale, AZ (US)
85260-7601

(**) Term: **14 Years**

(21) Appl. No.: **29/247,394**

(22) Filed: **Jun. 15, 2006**

(51) **LOC (8) Cl.** **22-01**

(52) **U.S. Cl.** **D22/109**

(58) **Field of Classification Search** D22/100,
D22/108, 109, 110, 199; 42/11, 113, 116,
42/119, 124, 125, 90, 127, 145, 115, 126,
42/128, 72, 106, 114, 142, 85, 75.02, 71.01;
248/205.1, 201; 89/37.01, 37.04

See application file for complete search history.

(56) **References Cited**

U.S. PATENT DOCUMENTS

5,134,798	A	*	8/1992	Lee	42/148
5,533,292	A	*	7/1996	Swan	42/123
D410,061	S	*	5/1999	Emerson	D22/110
D435,885	S	*	1/2001	Wallace	D22/110
6,418,657	B1	*	7/2002	Brown	42/124
6,499,245	B1	*	12/2002	Swan	42/71.01
6,508,027	B1	*	1/2003	Kim	42/124
6,606,813	B1	*	8/2003	Squire et al.	42/90
6,618,976	B1	*	9/2003	Swan	42/114
D486,878	S	*	2/2004	Selvaggio	D22/110
D487,792	S	*	3/2004	Selvaggio	D22/110
6,779,288	B1	*	8/2004	Kim	42/72
6,792,711	B2	*	9/2004	Battaglia	42/114
6,826,864	B1	*	12/2004	Houtsma	42/90
6,854,206	B2	*	2/2005	Oz	42/124

6,895,708	B2	*	5/2005	Kim et al.	42/72
D510,120	S	*	9/2005	Ding	D22/110
D511,365	S	*	11/2005	Ding	D22/110
D513,056	S	*	12/2005	Ding	D22/110
D513,298	S	*	12/2005	Ding	D22/110
D513,299	S	*	12/2005	Ding	D22/110
D513,633	S	*	1/2006	Ding	D22/110
D516,157	S	*	2/2006	Ding	D22/110

* cited by examiner

Primary Examiner—Ian Simmons

Assistant Examiner—Melanie Levy

(74) *Attorney, Agent, or Firm*—Jaeckle, Fleischmann & Mugel, LLP.

(57) **CLAIM**

The ornamental design for a hand guard piece, as shown and described.

DESCRIPTION

FIG. 1 is a perspective view of the hand guard piece of the present invention;

FIG. 2 is a top view of the present invention as shown in FIG. 1;

FIG. 3 is a left side view of the present invention as shown in FIG. 1;

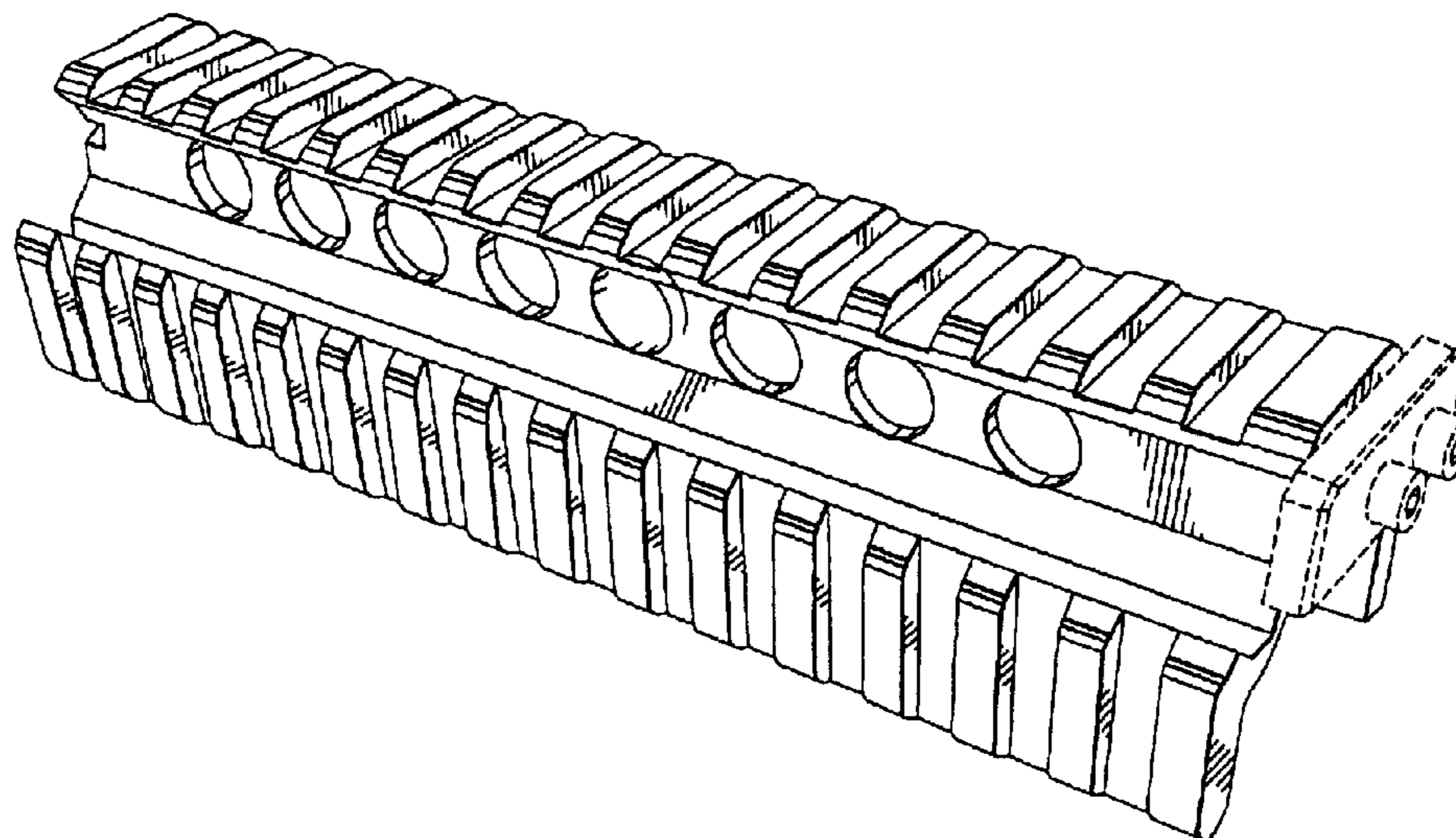
FIG. 4 is a bottom view of the present invention as shown in FIG. 1;

FIG. 5 is a front view of the present invention as shown in FIG. 1; and,

FIG. 6 is a right side view of the present invention as shown in FIG. 1.

The broken line portions shown in FIGS. 1–6 are for illustrative purposes and form no part of the claimed design.

1 Claim, 2 Drawing Sheets



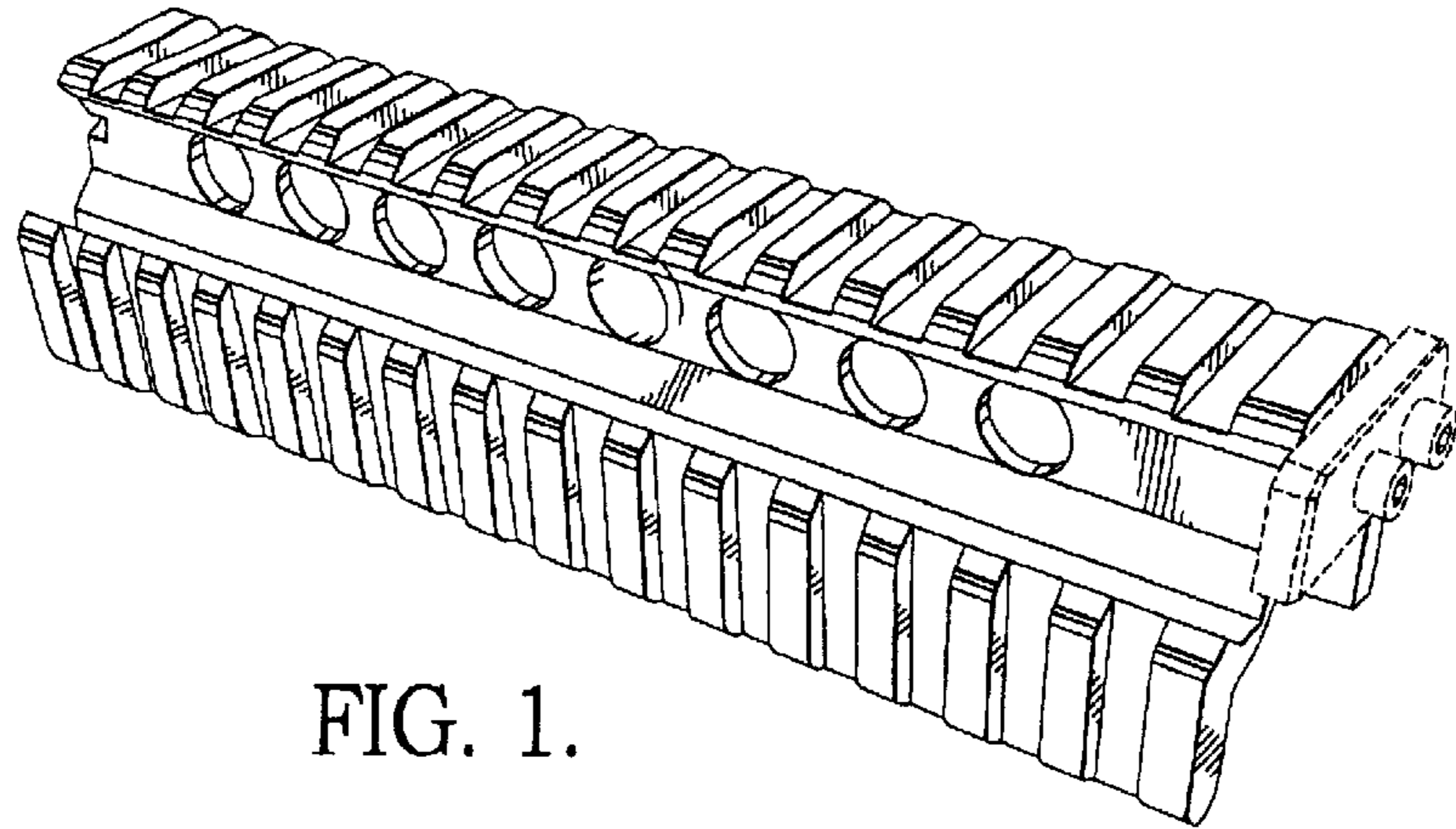


FIG. 1.

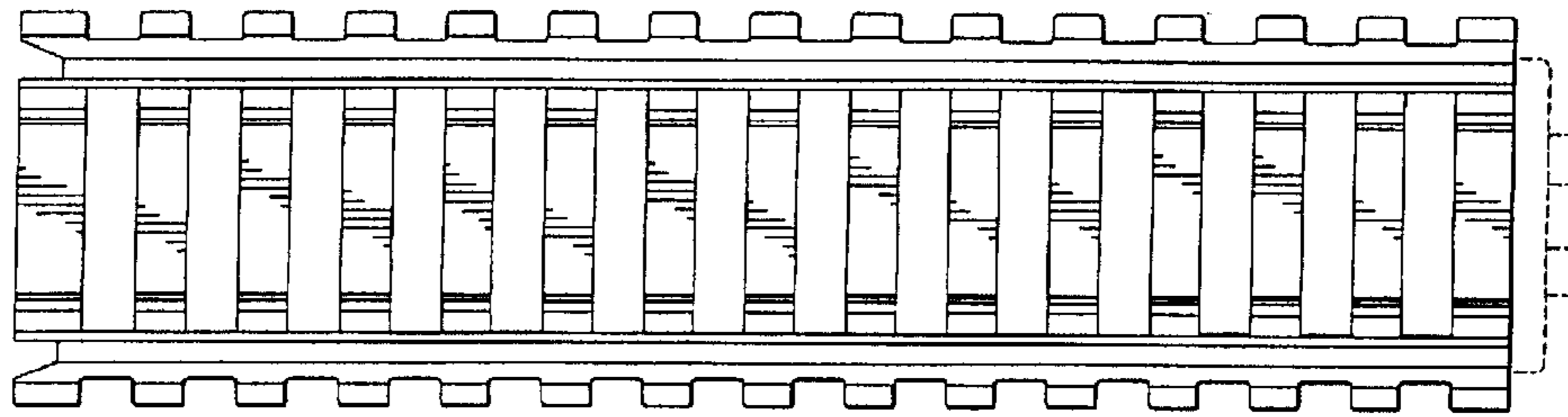


FIG. 2.

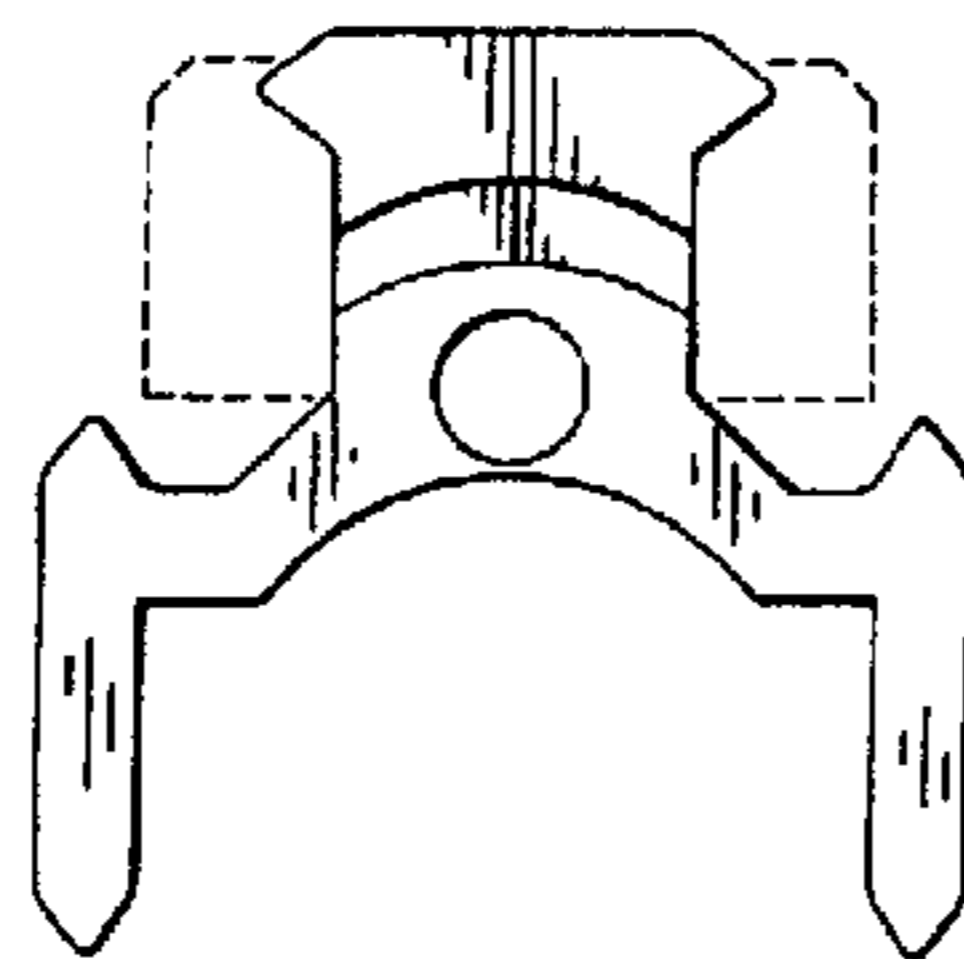


FIG. 3.

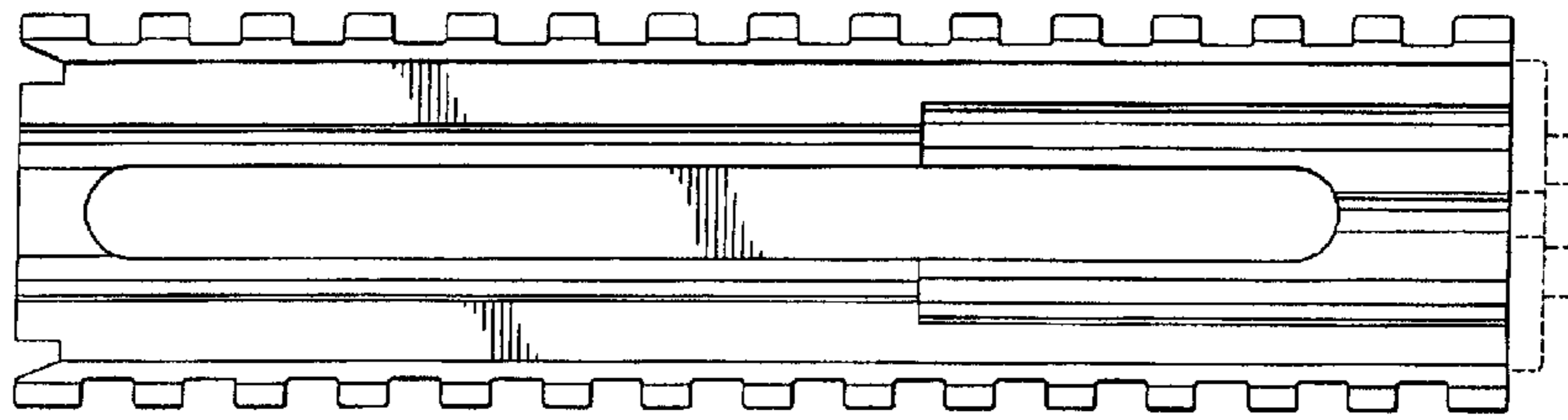


FIG. 4.

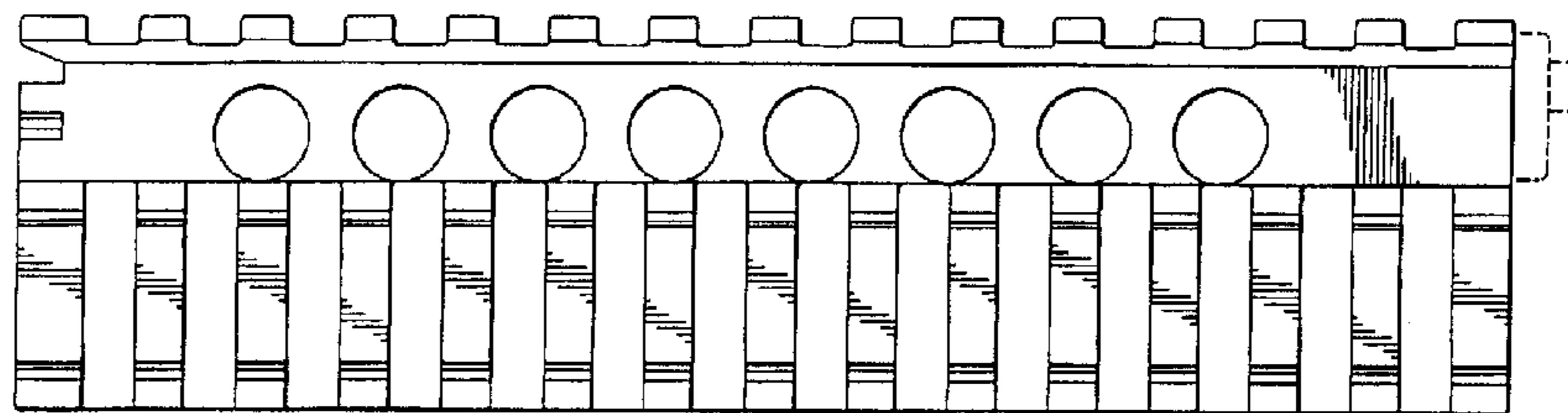


FIG. 5.

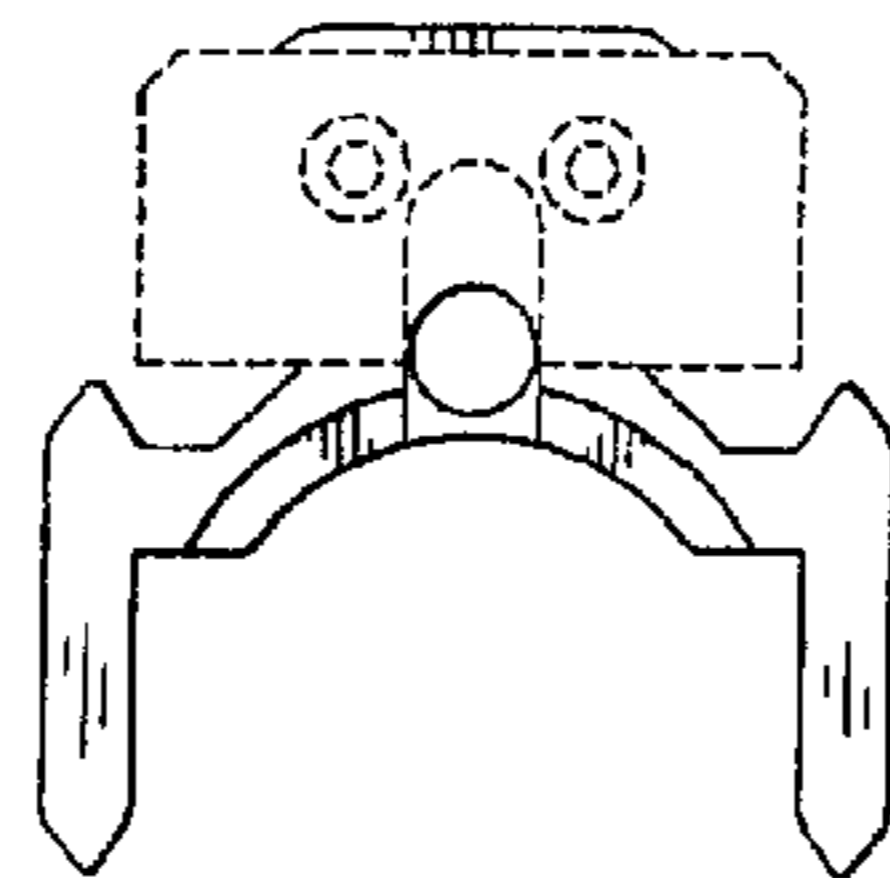


FIG. 6.