



US00D537901S

(12) **United States Design Patent**
Elkaim

(10) **Patent No.:** **US D537,901 S**

(45) **Date of Patent:** **** Mar. 6, 2007**

(54) **HAND GUARD PIECE**

(76) **Inventor:** **Charles Elkaim**, 9061 E. Captain
Dryfus Ave., Scottsdale, AZ (US)
85260-7601

(**) **Term:** **14 Years**

(21) **Appl. No.:** **29/247,392**

(22) **Filed:** **Jun. 15, 2006**

(51) **LOC (8) Cl.** **22-01**

(52) **U.S. Cl.** **D22/109**

(58) **Field of Classification Search** D22/100,
D22/108, 109, 110, 199; 42/11, 113, 116,
42/119, 124, 125, 90, 127, 145, 115, 126,
42/128, 72, 106, 114, 142, 85, 75.02, 71.01;
248/205.1, 201; 89/37.01, 37.04
See application file for complete search history.

(56) **References Cited**

U.S. PATENT DOCUMENTS

5,134,798	A	*	8/1992	Lee	42/148
5,533,292	A	*	7/1996	Swan	42/123
D410,061	S	*	5/1999	Emerson	D22/110
D435,885	S	*	1/2001	Wallace	D22/110
6,418,657	B1	*	7/2002	Brown	42/124
6,499,245	B1	*	12/2002	Swan	42/71.01
6,508,027	B1	*	1/2003	Kim	42/124
6,606,813	B1	*	8/2003	Squire et al.	42/90
6,618,976	B1	*	9/2003	Swan	42/114
D486,878	S	*	2/2004	Selvaggio	D22/110
D487,792	S	*	3/2004	Selvaggio	D22/110
6,779,288	B1	*	8/2004	Kim	42/72
6,792,711	B2	*	9/2004	Battaglia	42/114
6,826,864	B1	*	12/2004	Houtsma	42/90

6,854,206	B2	*	2/2005	Oz	42/124
6,895,708	B2	*	5/2005	Kim et al.	42/72
D510,120	S	*	9/2005	Ding	D22/110
D511,365	S	*	11/2005	Ding	D22/110
D513,056	S	*	12/2005	Ding	D22/110
D513,298	S	*	12/2005	Ding	D22/110
D513,299	S	*	12/2005	Ding	D22/110
D513,633	S	*	1/2006	Ding	D22/110
D516,157	S	*	2/2006	Ding	D22/110

* cited by examiner

Primary Examiner—Ian Simmons

Assistant Examiner—Melanie Levy

(74) *Attorney, Agent, or Firm*—Jaeckle Fleischmann
Mugel, LLP

(57) **CLAIM**

The ornamental design for a hand guard piece, as shown and described.

DESCRIPTION

FIG. 1 is a perspective view of the hand guard piece of the present invention;

FIG. 2 is a top view of the present invention as shown in FIG. 1;

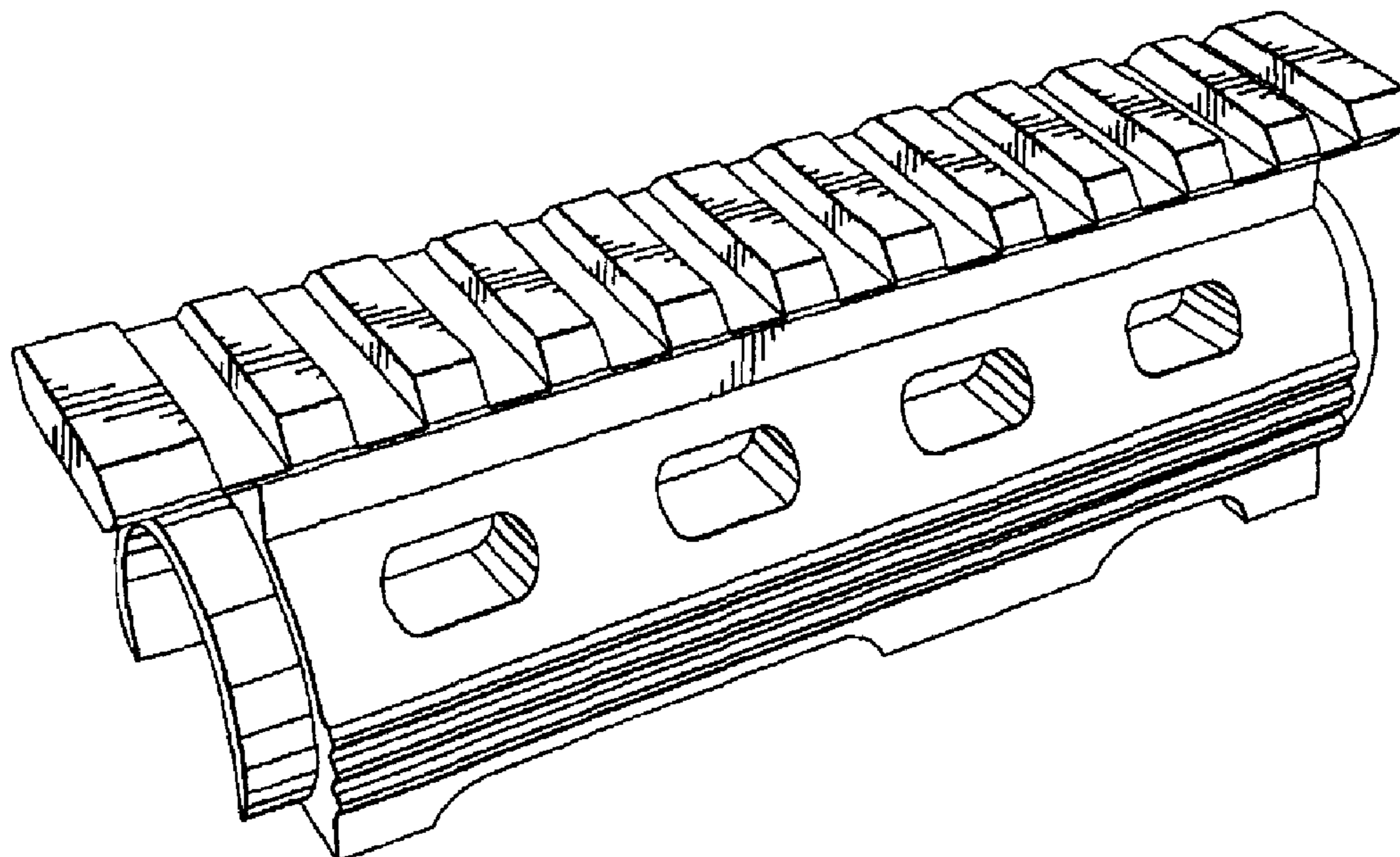
FIG. 3 is a left side view of the present invention as shown in FIG. 1;

FIG. 4 is a bottom view of the present invention as shown in FIG. 1;

FIG. 5 is a front view of the present invention as shown in FIG. 1; and,

FIG. 6 is a right side view of the present invention as shown in FIG. 1.

1 Claim, 2 Drawing Sheets



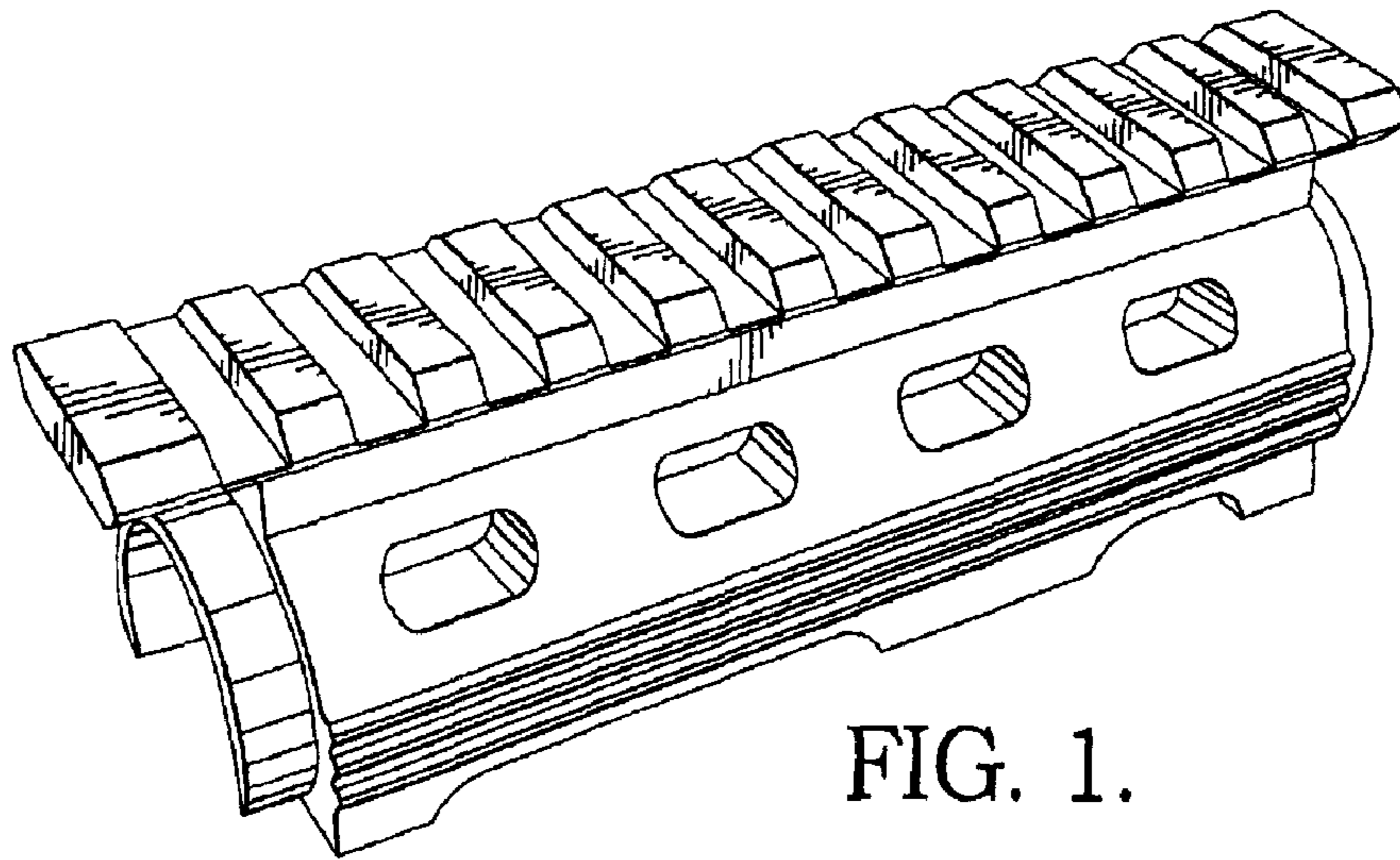


FIG. 1.

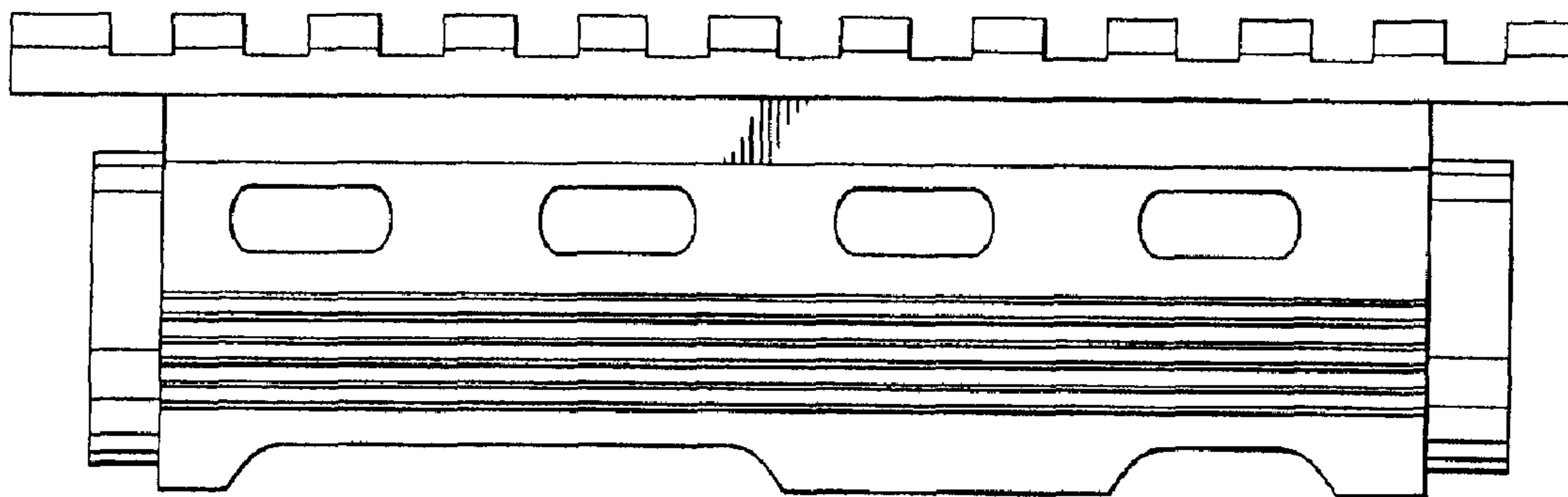


FIG. 2.

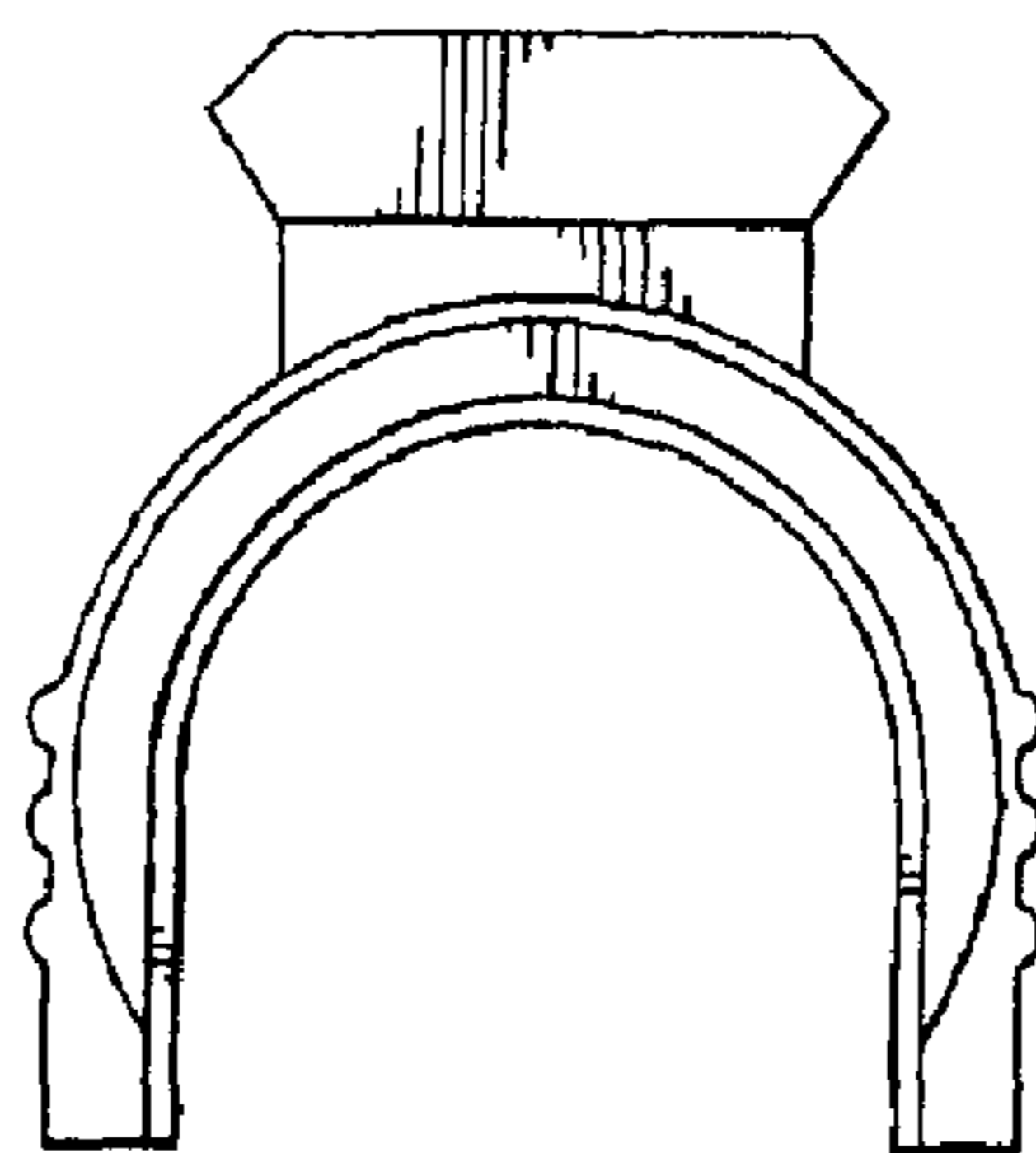


FIG. 3.

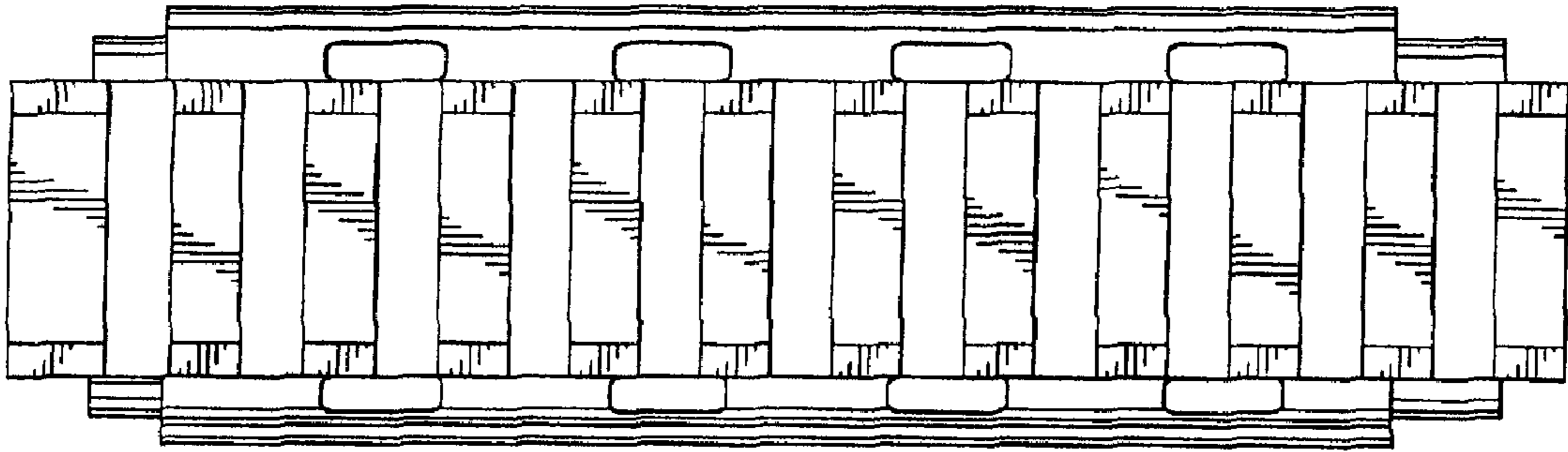


FIG. 4.

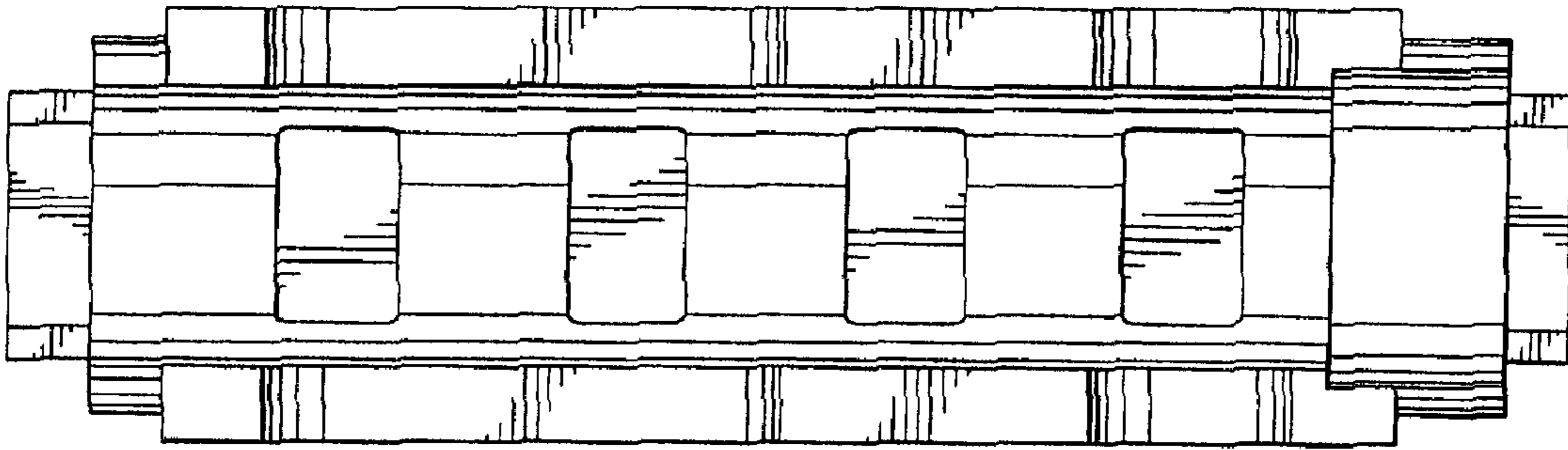


FIG. 5.

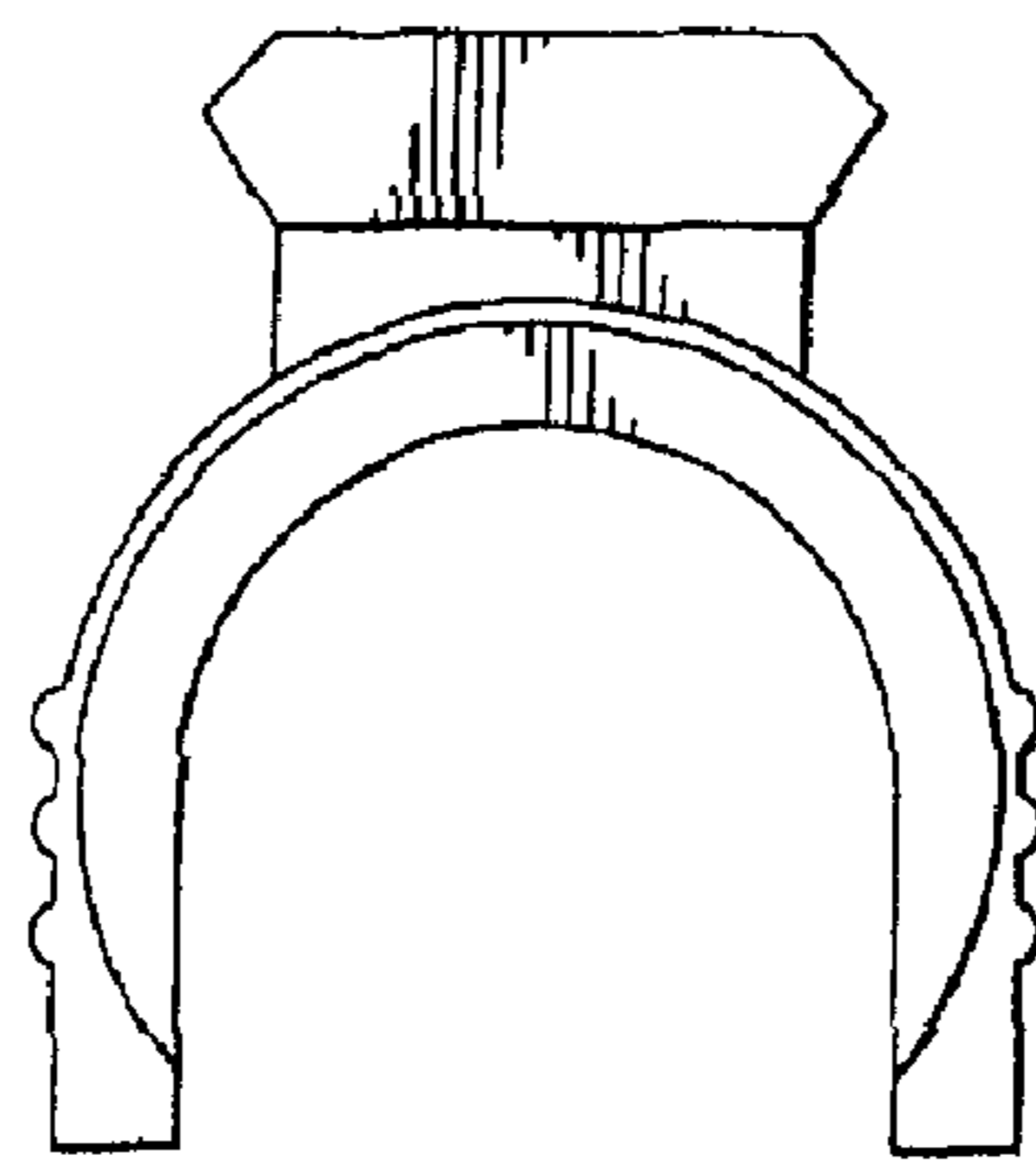


FIG. 6.