



US00D537900S

(12) **United States Design Patent**
Orvis et al.

(10) **Patent No.:** **US D537,900 S**

(45) **Date of Patent:** **** Mar. 6, 2007**

(54) **DOGLEG STOCK**

(75) Inventors: **Jayson R. Orvis**, Bountiful, UT (US);
Jared R. Orvis, Bountiful, UT (US)

(73) Assignee: **Tigerstripe Paintball, LLC**, North Salt
Lake, UT (US)

(**) Term: **14 Years**

(21) Appl. No.: **29/253,022**

(22) Filed: **Jan. 31, 2006**

(51) **LOC (8) Cl.** **22-01**

(52) **U.S. Cl.** **D22/108**

(58) **Field of Classification Search** D22/100,
D22/101, 103, 104, 108, 199; D21/572, 573;
42/51, 71.01, 71.02, 73, 75.01, 75.02, 90;
362/160; 33/241; 313/105 R; 89/40.06, 37.04,
89/33.04; 124/66, 67, 74

See application file for complete search history.

(56) **References Cited**

U.S. PATENT DOCUMENTS

897,813	A	*	9/1908	Bennett	124/67
3,442,042	A	*	5/1969	Van Tyle	42/73
6,609,322	B1	*	8/2003	Michelson	42/71.02
6,752,137	B2	*	6/2004	Brunette et al.	124/74
D510,401	S	*	10/2005	Murello et al.	D22/103
D512,117	S	*	11/2005	Murello et al.	D22/103
D516,660	S	*	3/2006	Murello et al.	D22/103

D517,152	S	*	3/2006	Murello et al.	D22/103
D517,637	S	*	3/2006	Murello et al.	D22/103
2001/0042334	A1	*	11/2001	Weichert et al.	42/105

* cited by examiner

Primary Examiner—Ian Simmons

Assistant Examiner—Melanie Levy

(74) *Attorney, Agent, or Firm*—Workman-Nydegger

(57) **CLAIM**

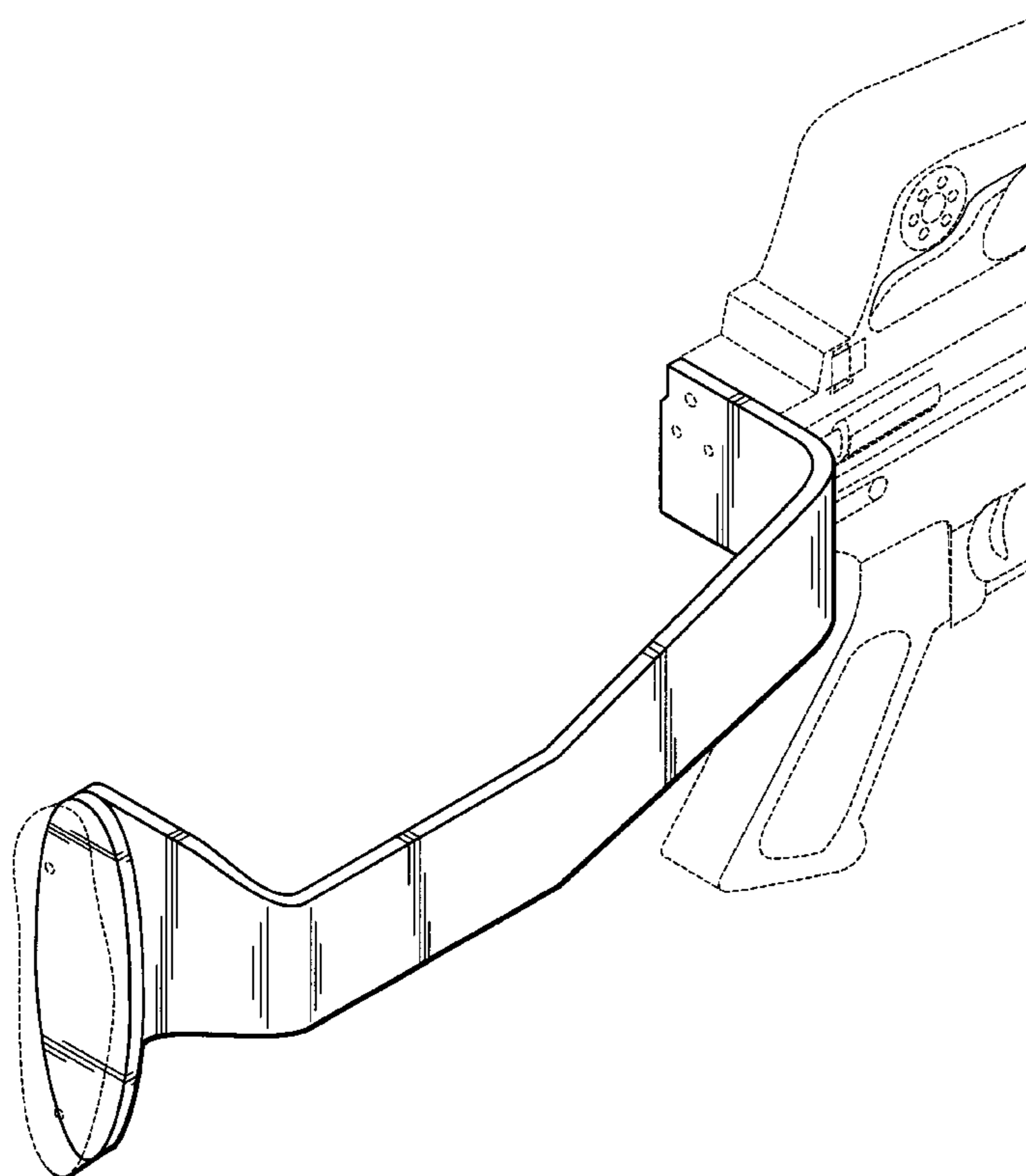
The ornamental design for a dogleg stock, as shown and described.

DESCRIPTION

FIG. 1 is a perspective view of a dogleg stock in accordance with a preferred embodiment of the present invention; FIG. 2 is a top view of the dogleg stock as shown in FIG. 1; FIG. 3 is a right side view of the dogleg stock as shown in FIG. 1; FIG. 4 is a rear view of the dogleg stock shown in FIG. 1; FIG. 5 is a front view of the dogleg stock as shown in FIG. 1; FIG. 6 is a left side view of the dogleg stock as shown in FIG. 1; and, FIG. 7 is a bottom view of the dogleg stock as shown in FIG. 1.

The broken lines are for illustrative purposes only and form no part of the claimed design.

1 Claim, 3 Drawing Sheets



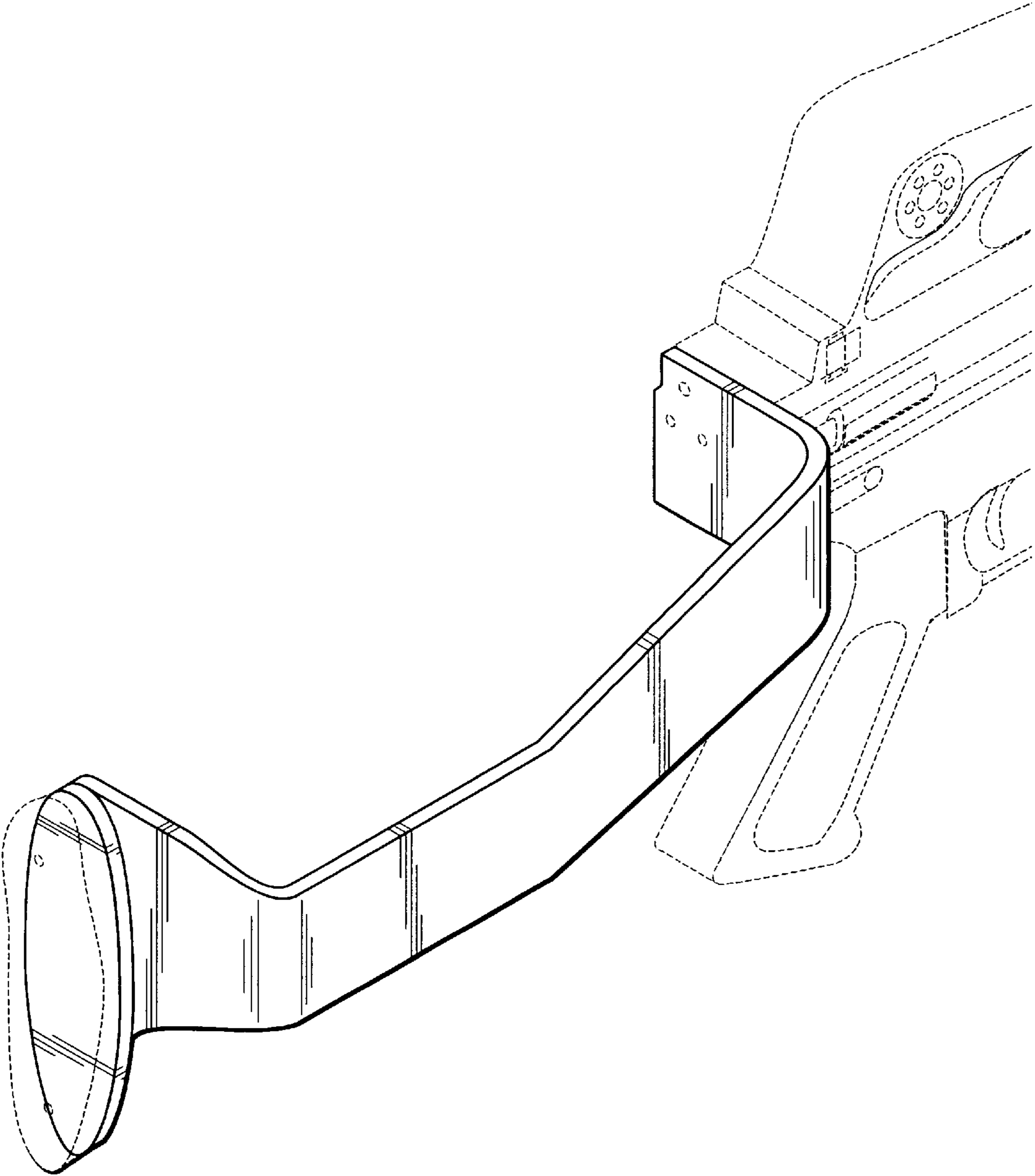


Fig. 1

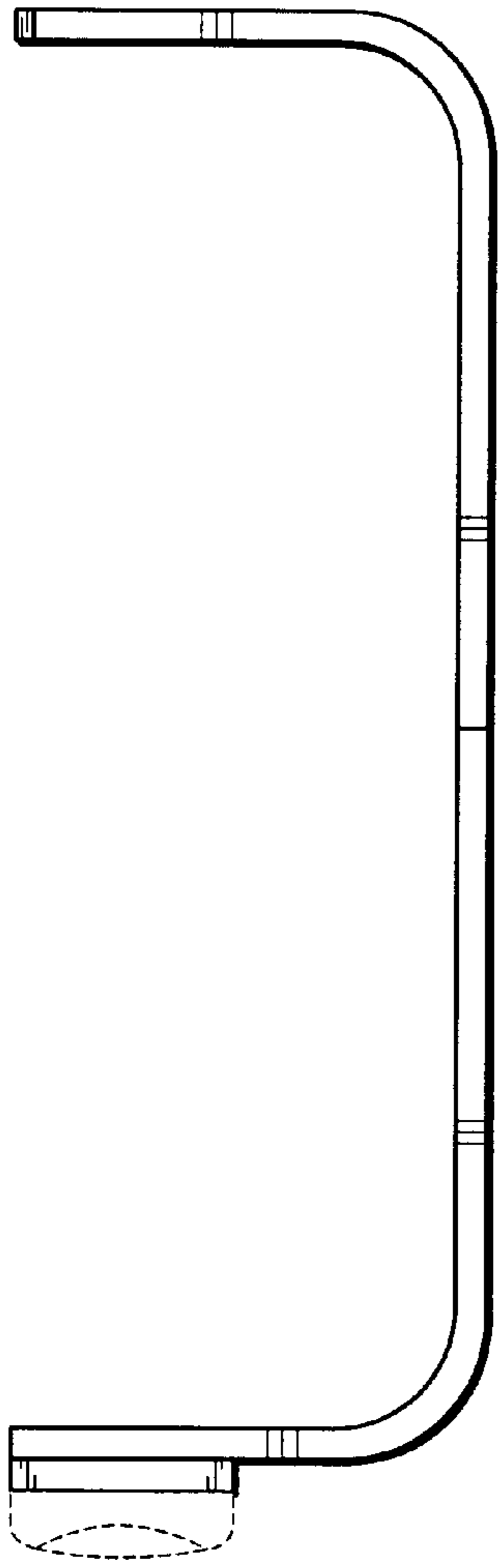


Fig. 2

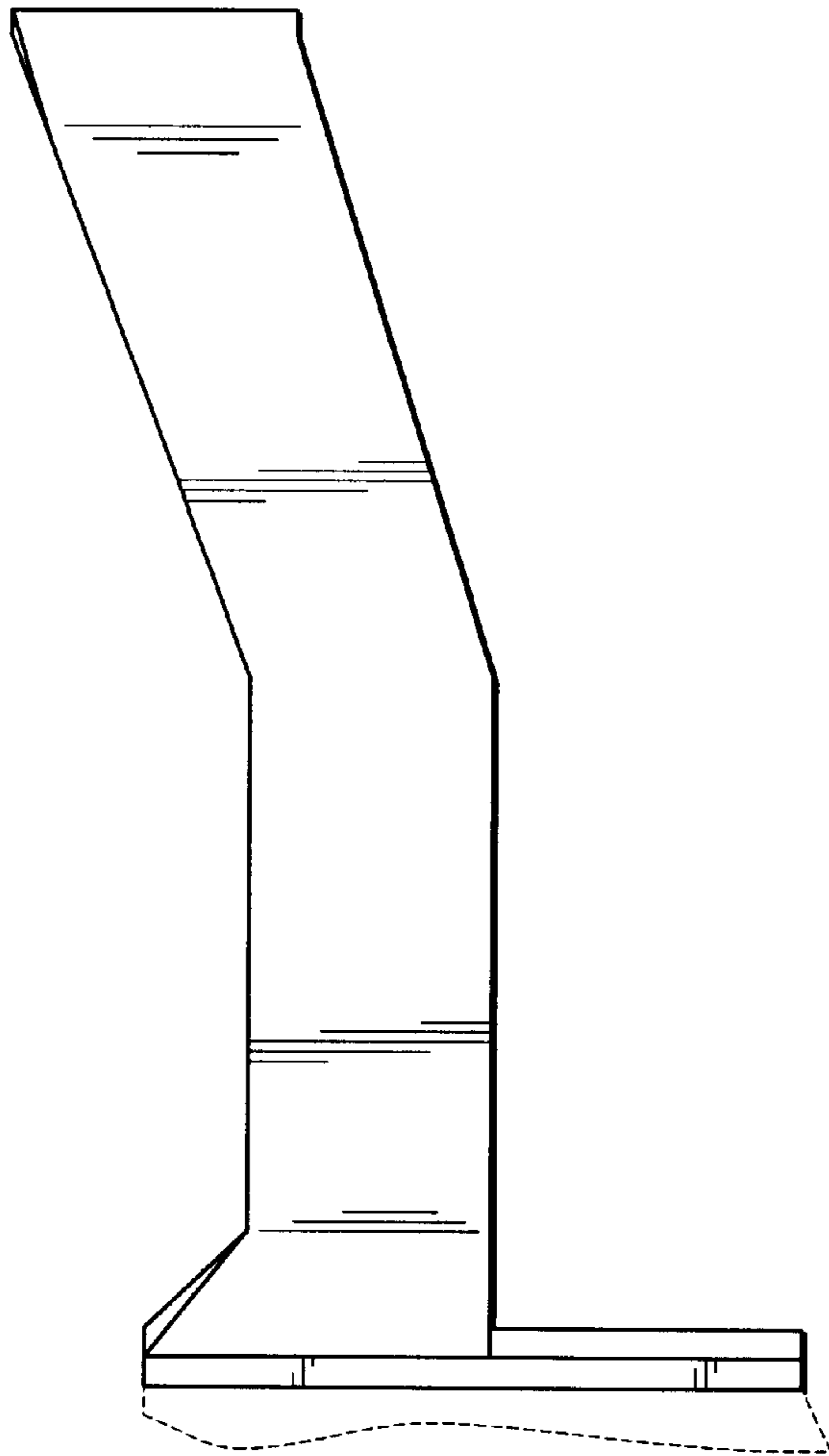


Fig. 3

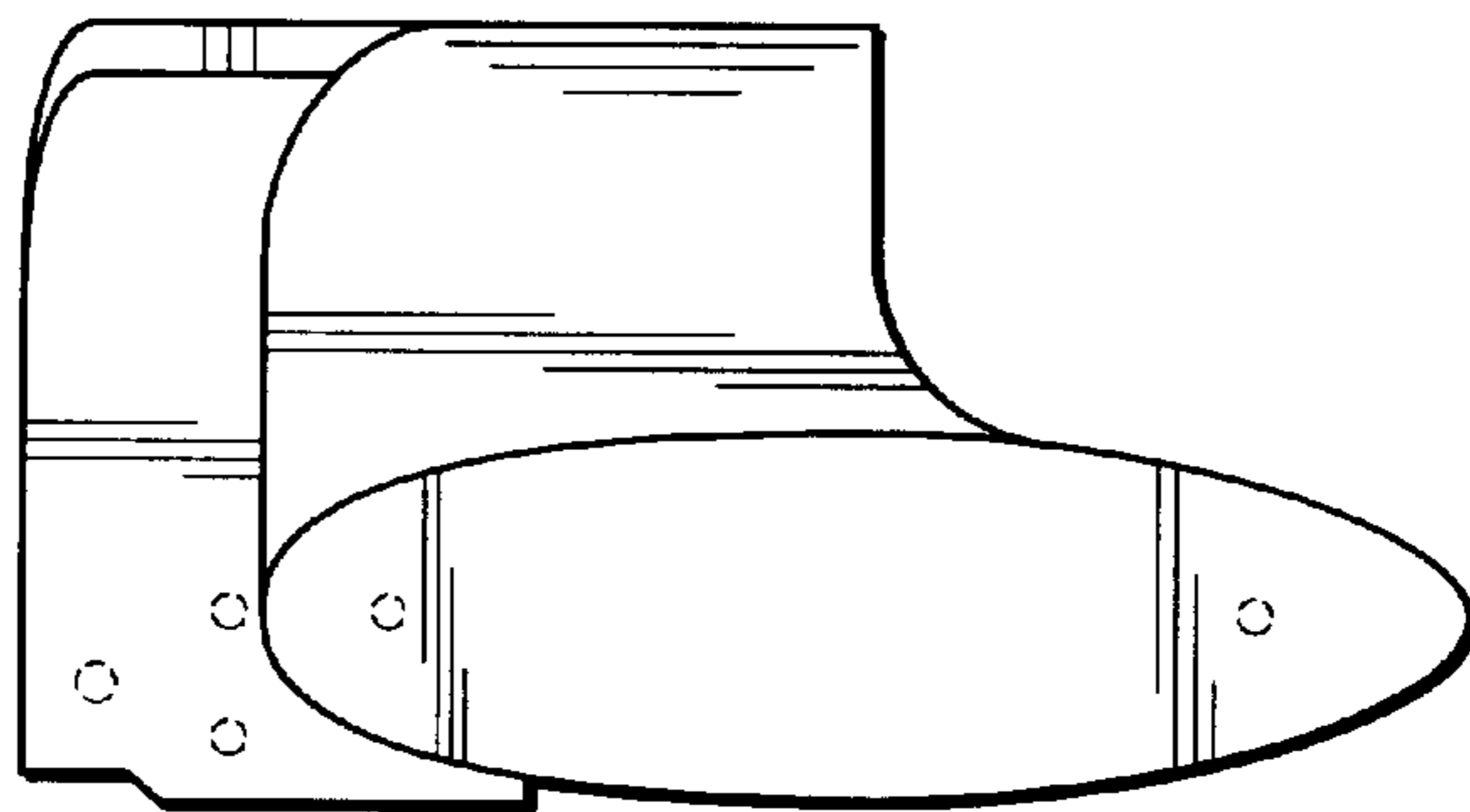


Fig. 4

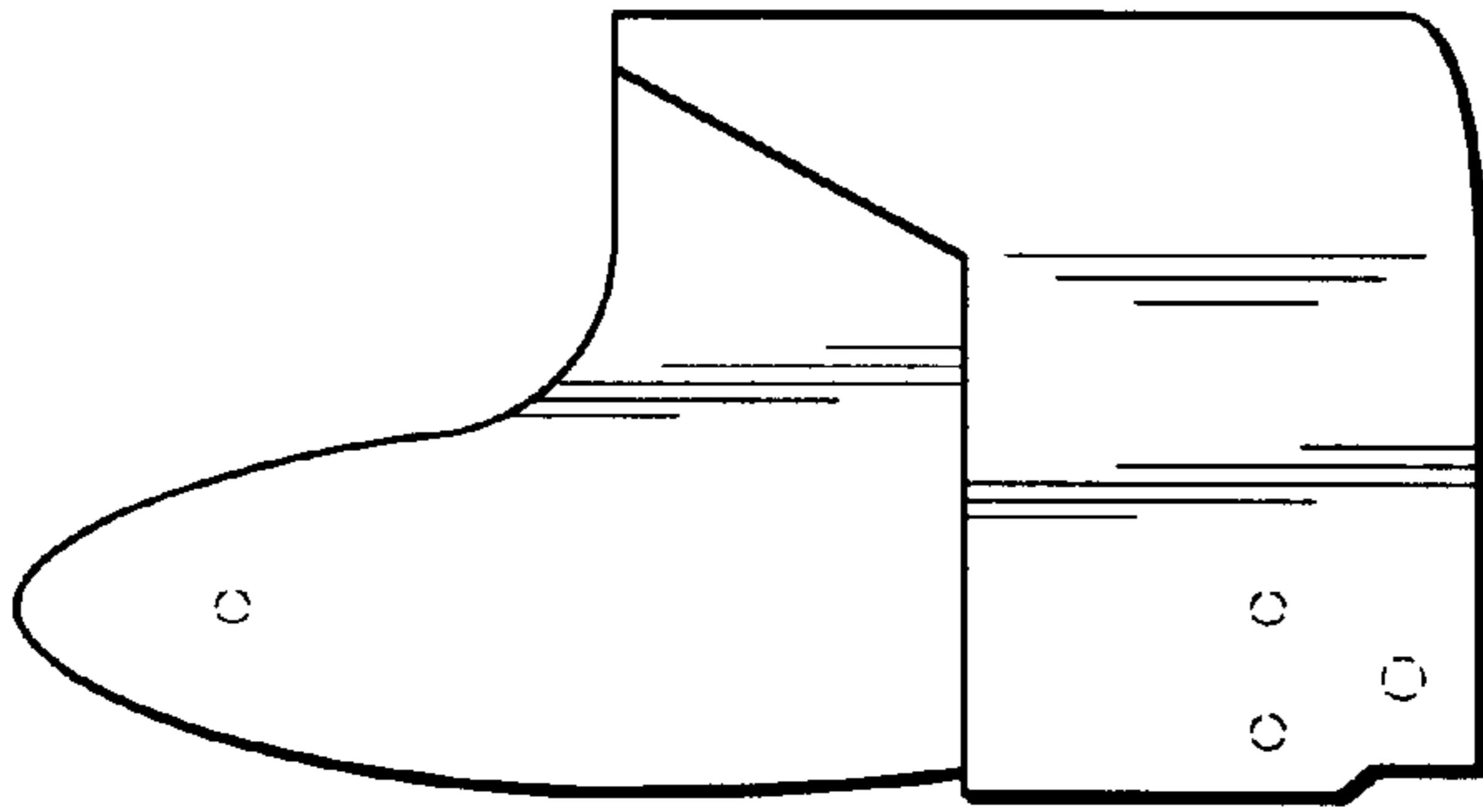


Fig. 5

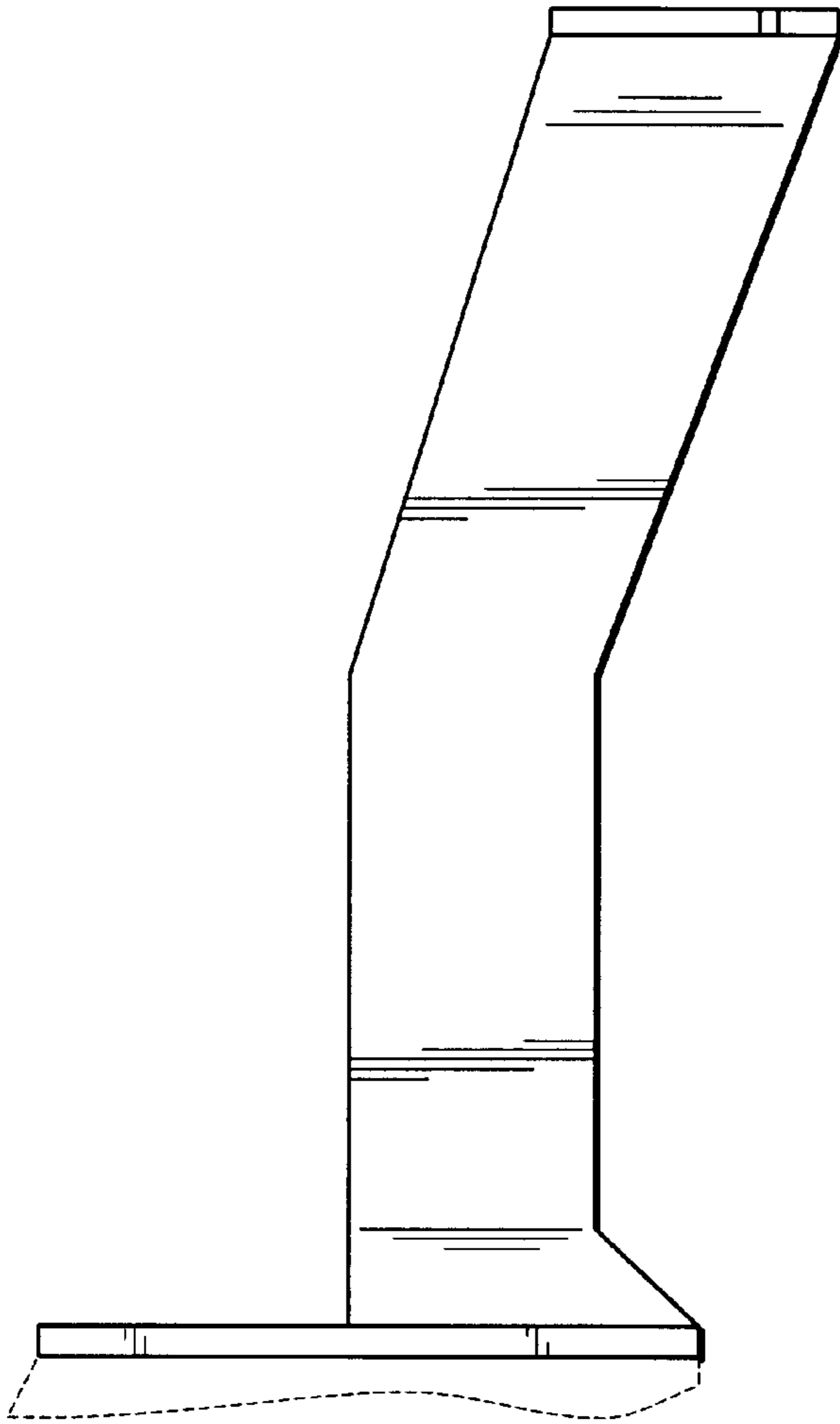


Fig. 6

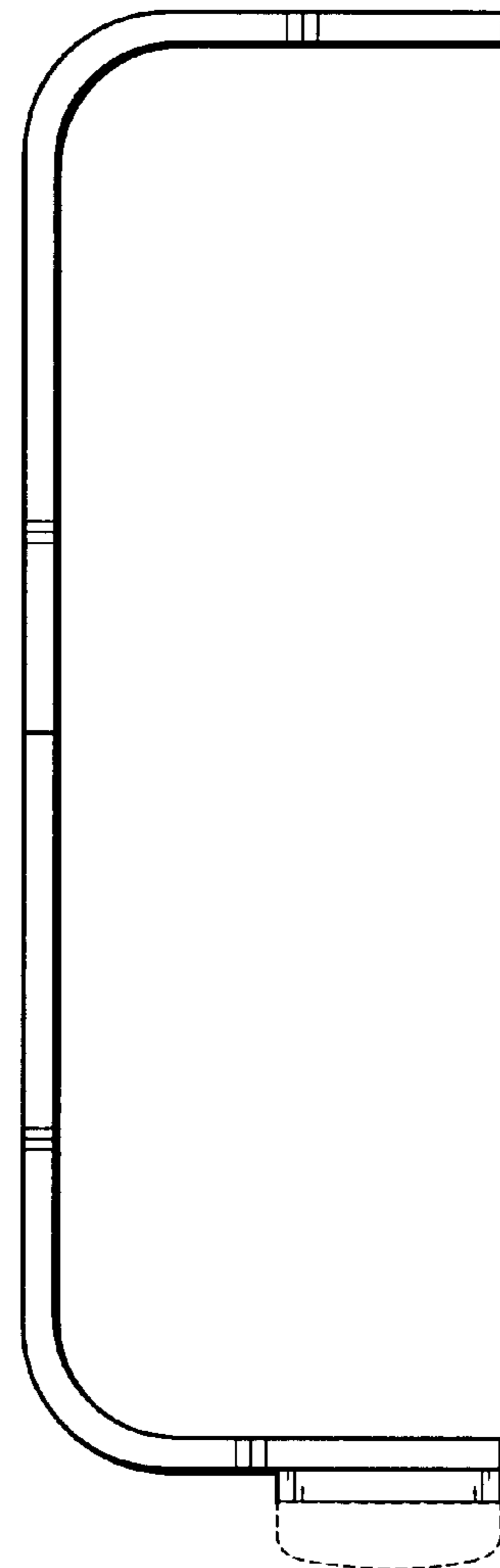


Fig. 7