



US00D537897S

(12) **United States Design Patent**  
**Niwa**

(10) **Patent No.:** **US D537,897 S**

(45) **Date of Patent:** **\*\* Mar. 6, 2007**

(54) **GOLF CLUB HEAD AND A GOLF CLUB HEAD STRIKING FACE**

(75) Inventor: **Katsumi Niwa**, Nagoya (JP)

(73) Assignee: **Yugenkaisha Kotobukinihachi**, Nagoya (JP)

(\*\*) Term: **14 Years**

(21) Appl. No.: **29/253,923**

(22) Filed: **Feb. 15, 2006**

**Related U.S. Application Data**

(62) Division of application No. 29/211,111, filed on Aug. 11, 2004, now Pat. No. Des. 515,645.

(30) **Foreign Application Priority Data**

May 28, 2004 (JP) ..... 2004-15849

(51) **LOC (8) Cl.** ..... **21-02**

(52) **U.S. Cl.** ..... **D21/759**

(58) **Field of Classification Search** ..... D21/736-746;  
473/324-331, 251-256, 340, 341  
See application file for complete search history.

(56) **References Cited**

**U.S. PATENT DOCUMENTS**

- D207,538 S \* 5/1967 Burkland ..... D21/738
- D207,539 S \* 5/1967 Burkland ..... D21/738
- 3,399,898 A \* 9/1968 Burkland ..... 473/340
- D223,766 S \* 6/1972 Houghtaling ..... D21/740
- D226,107 S \* 1/1973 Indovina ..... D21/738
- D234,524 S \* 3/1975 Leander ..... D21/738
- D245,721 S \* 9/1977 Koch ..... D21/738

- D255,592 S \* 6/1980 Krysakowski ..... D21/738
- D341,642 S \* 11/1993 Brown et al. .... D21/738
- D355,233 S \* 2/1995 Burdick ..... D21/738
- D434,819 S \* 12/2000 Hoare ..... D21/736
- D440,267 S \* 4/2001 Stancin ..... D21/736

\* cited by examiner

*Primary Examiner*—Mitchell Siegel

(74) *Attorney, Agent, or Firm*—Davis & Bujold, P.L.L.C.

(57) **CLAIM**

I claim the ornamental design for a golf club head and a golf club head striking face, as shown and described.

**DESCRIPTION**

FIG. 1 is a front elevational view of a golf club head striking face embodying my new design:

FIG. 2 is a left side elevational view thereof;

FIG. 3 is a right side elevational view thereof;

FIG. 4 is a rear elevational view thereof;

FIG. 5 is a top plan view thereof;

FIG. 6 is a bottom plan view thereof;

FIG. 7 is a front elevational view of a second embodiment of the golf club head striking face as disclosed in FIG. 1;

FIG. 8 is a right side elevational view of FIG. 7;

FIG. 9 is a rear elevational view of FIG. 7;

FIG. 10 is a bottom plan view of FIG. 7;

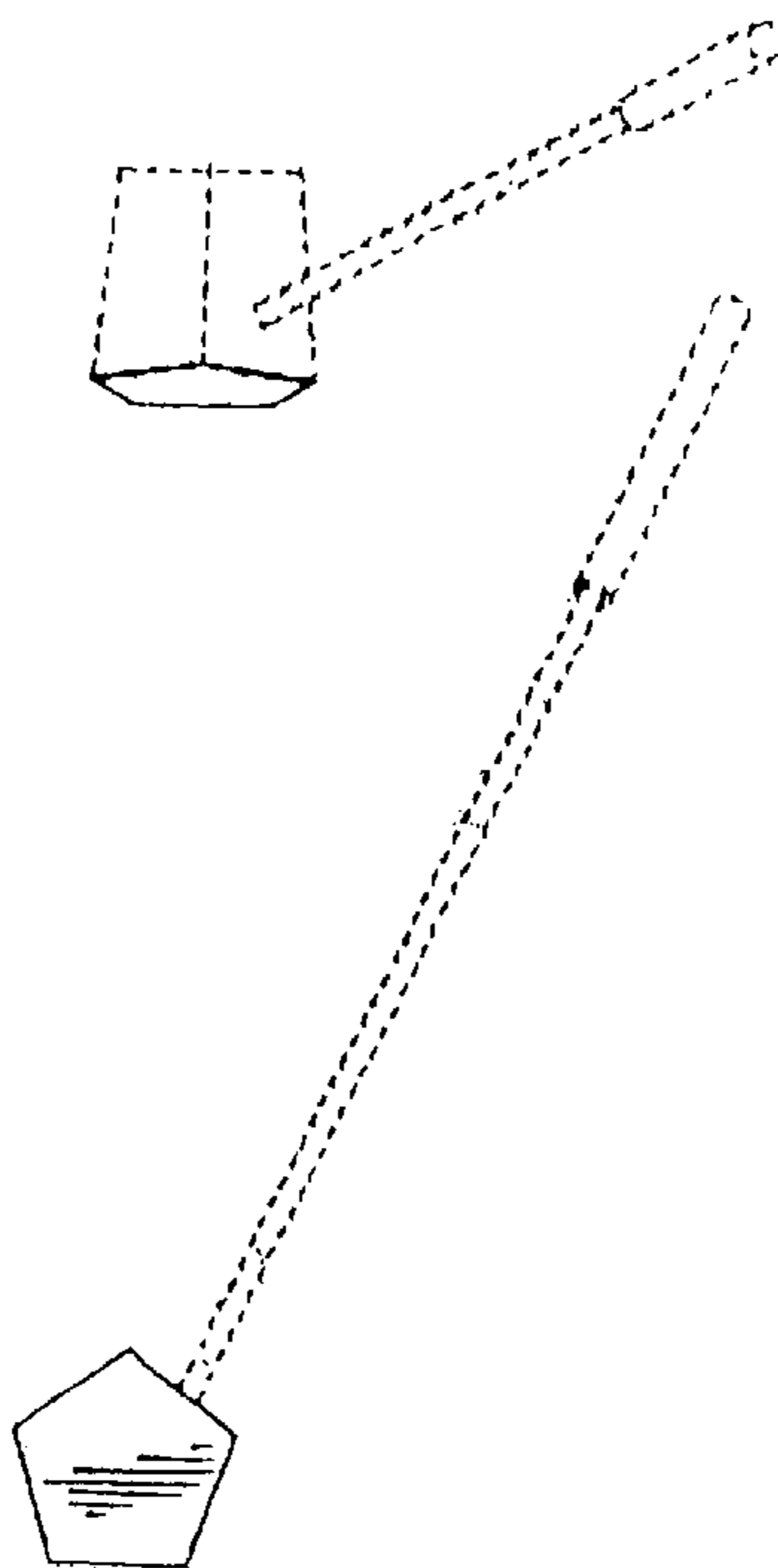
FIG. 11 is a top plan view of FIG. 7;

FIG. 12 is a cross sectional view thereof along section line 12—12 of FIG. 7; and,

FIG. 13 is a left side elevational view of FIG. 7.

The broken line showing is for illustrative purposes only and forms no part of the claimed design.

**1 Claim, 2 Drawing Sheets**



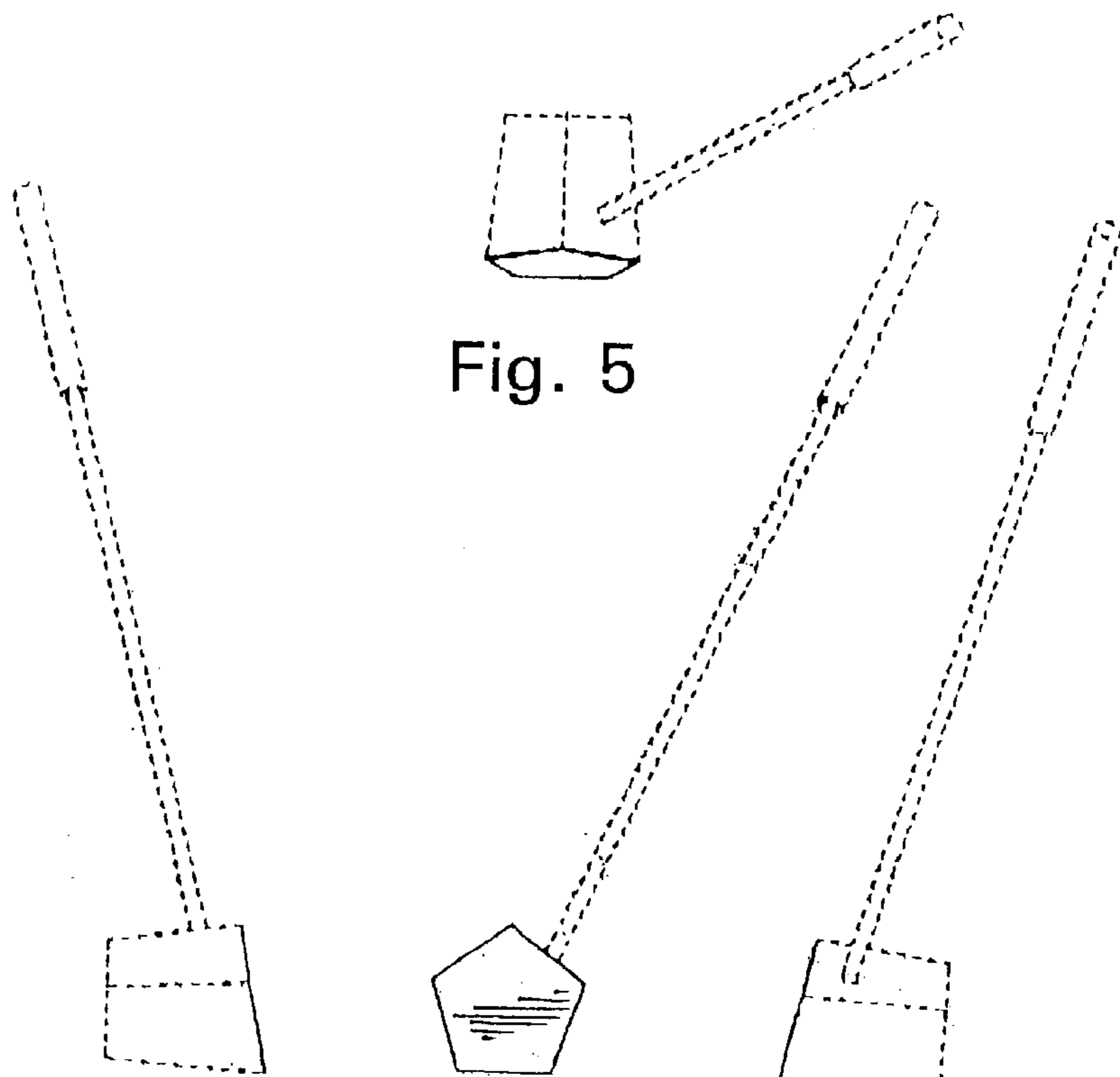


Fig. 2

Fig. 1

Fig. 3

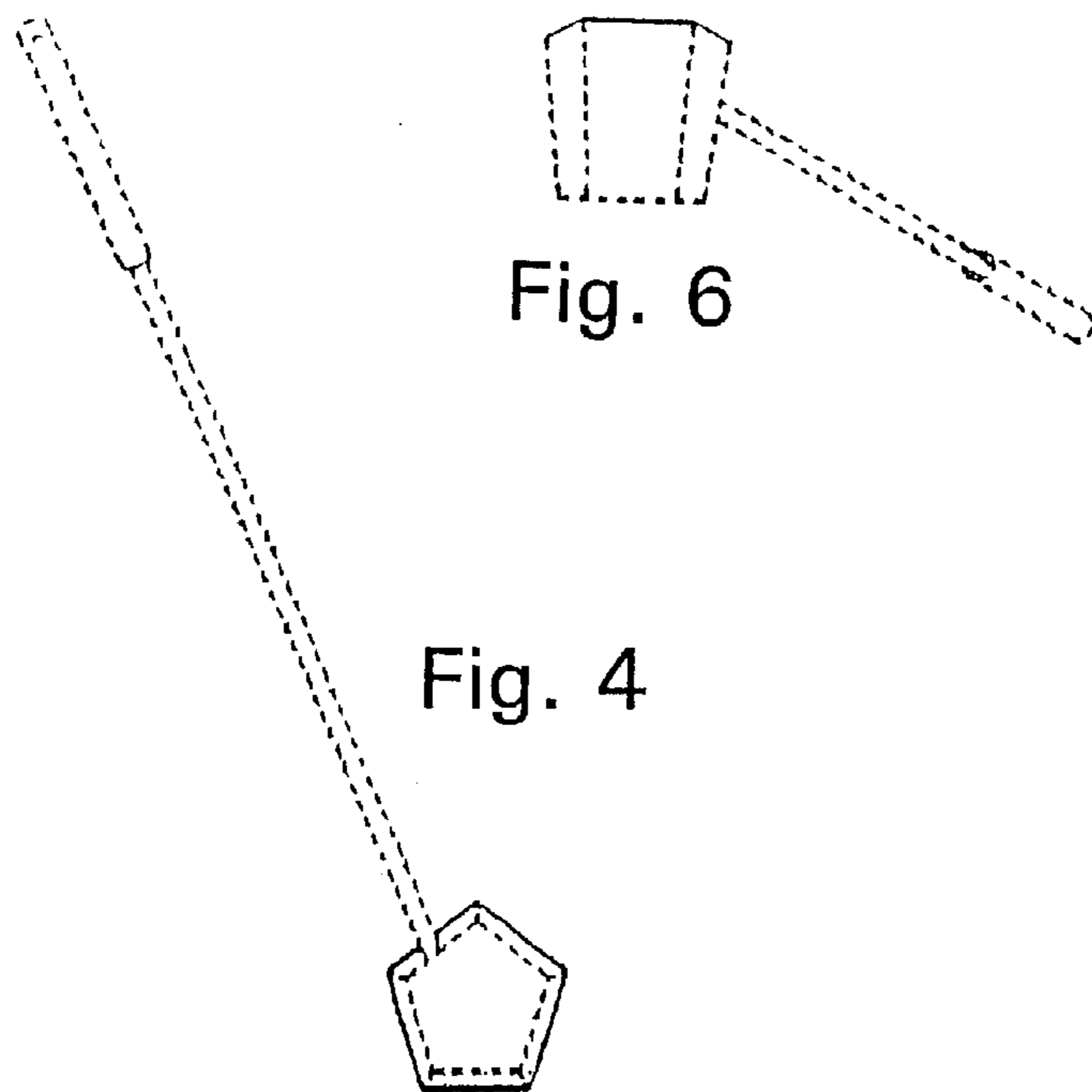


Fig. 6

Fig. 4

