



US00D537896S

(12) **United States Design Patent**  
**Holt et al.**

(10) **Patent No.:** **US D537,896 S**

(45) **Date of Patent:** **\*\* Mar. 6, 2007**

(54) **CONNECTION FOR ATTACHING SHAFT TO A GOLF CLUB HEAD**

6,620,053 B2 \* 9/2003 Tseng ..... 473/306 X  
6,769,996 B2 \* 8/2004 Tseng ..... 473/306  
7,083,529 B2 \* 8/2006 Cackett et al. .... 473/309

(75) Inventors: **Denver Holt**, Carlsbad, CA (US);  
**Matthew T. Cackett**, San Diego, CA (US);  
**J. Neil Hall**, Carlsbad, CA (US);  
**James C. Wenck**, Carlsbad, CA (US)

\* cited by examiner

*Primary Examiner*—Mitchell Siegel

(74) *Attorney, Agent, or Firm*—Michael A. Catania; Elaine H. Lo

(73) Assignee: **Callaway Golf Company**, Carlsbad, CA (US)

(57) **CLAIM**

(\*\*) Term: **14 Years**

The ornamental design for a connection for attaching shaft to a golf club head, as shown and described.

(21) Appl. No.: **29/246,173**

**DESCRIPTION**

(22) Filed: **Mar. 8, 2006**

(51) **LOC (8) Cl.** ..... **21-02**

(52) **U.S. Cl.** ..... **D21/759**

(58) **Field of Classification Search** ..... D21/733,  
D21/752, 759; 473/324–331, 343–346, 305–315  
See application file for complete search history.

FIG. 1 is a front elevational view thereof;  
FIG. 2 is a top plan view thereof;  
FIG. 3 is a top heel perspective view thereof;  
FIG. 4 is a bottom plan view thereof;  
FIG. 5 is a cross-sectional view thereof taken along the line 5–5 in FIG. 2;  
FIG. 6 is a cross-sectional view thereof taken along the line 6–6 in FIG. 2; and,  
FIG. 7 is an enlarged sectional view taken along portion 7 in FIG. 3.

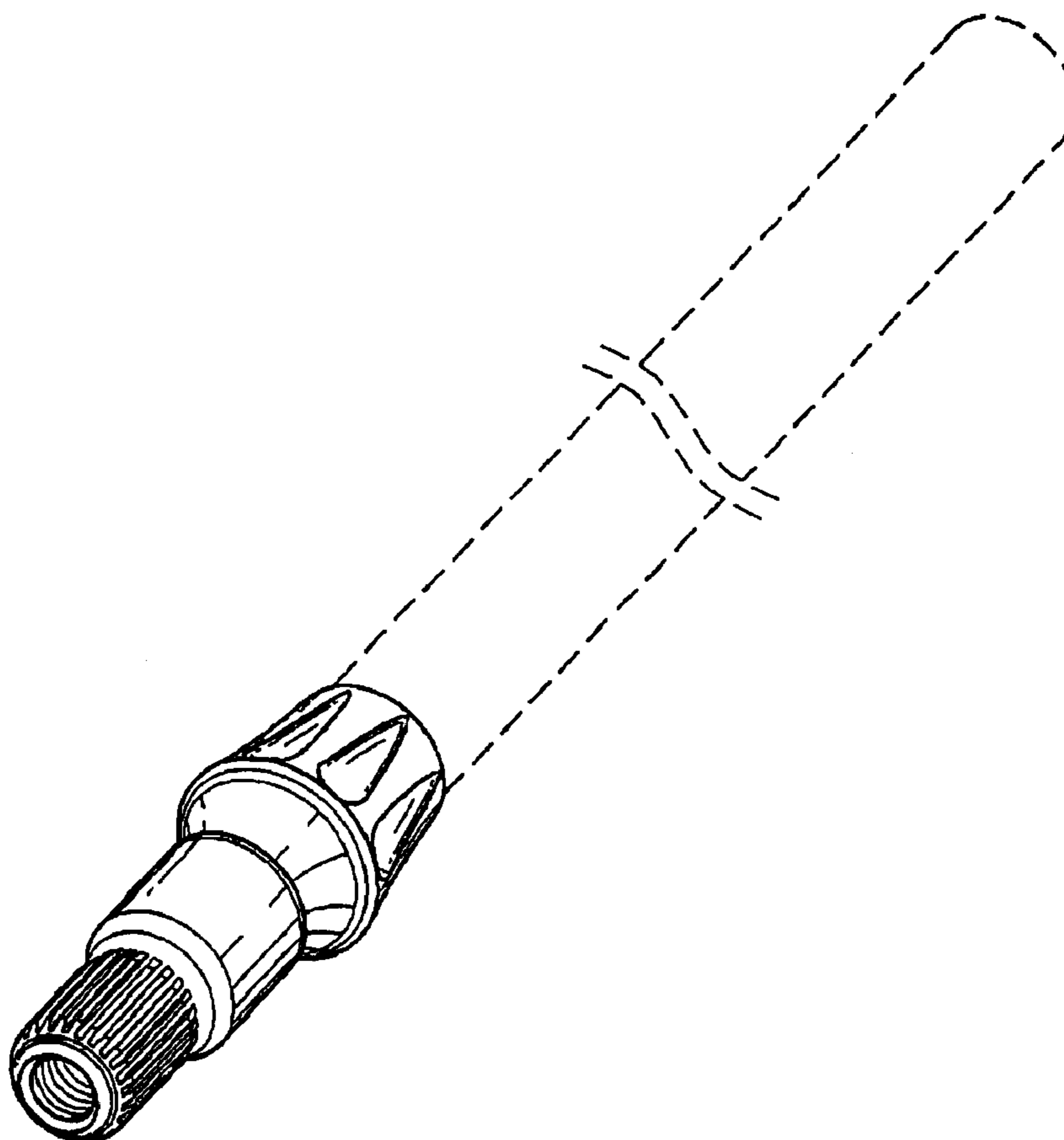
The broken line showing is included for the purpose of illustrating and forms no part of the claimed design.

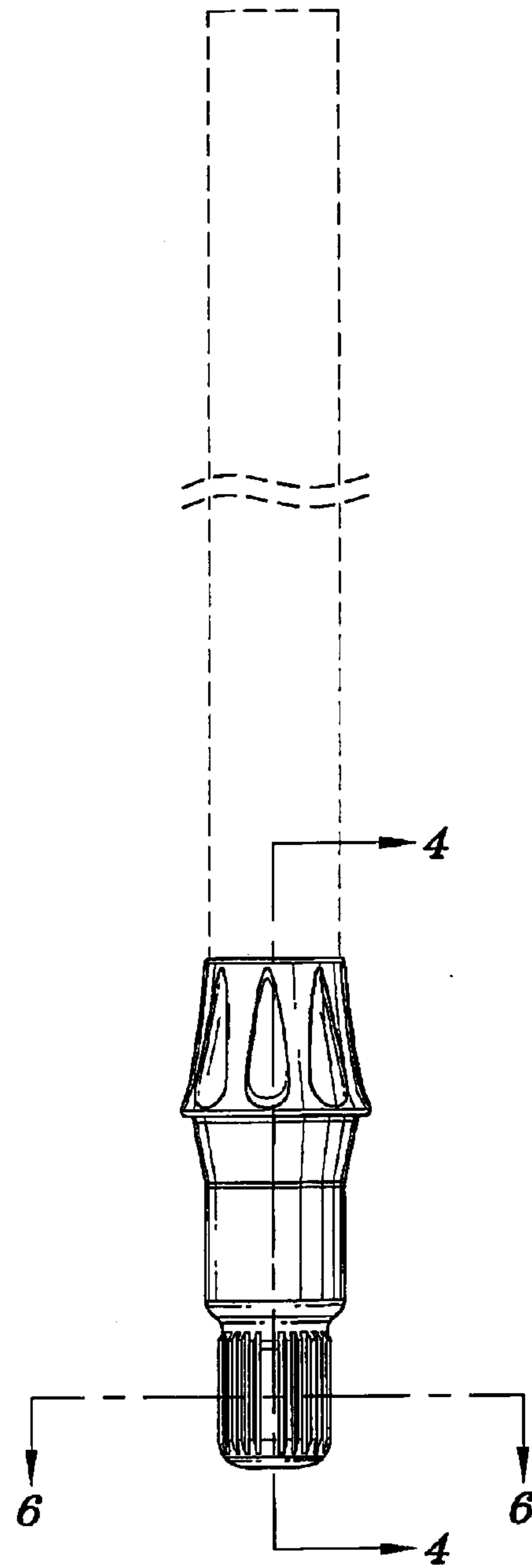
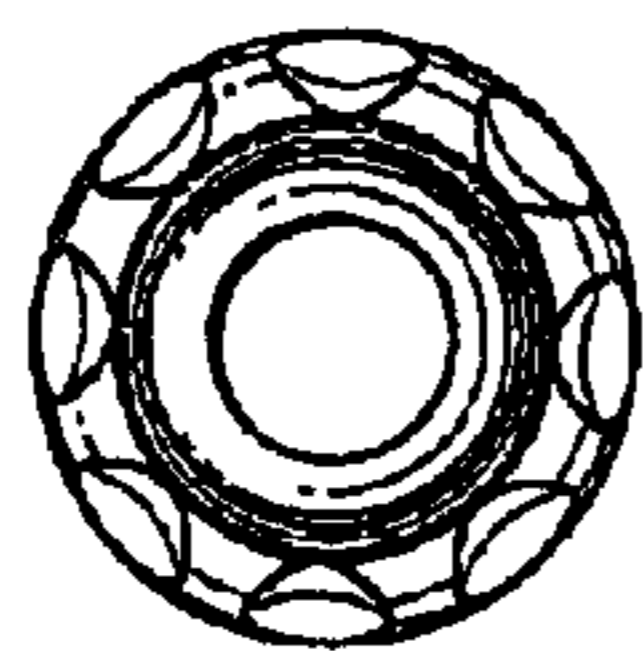
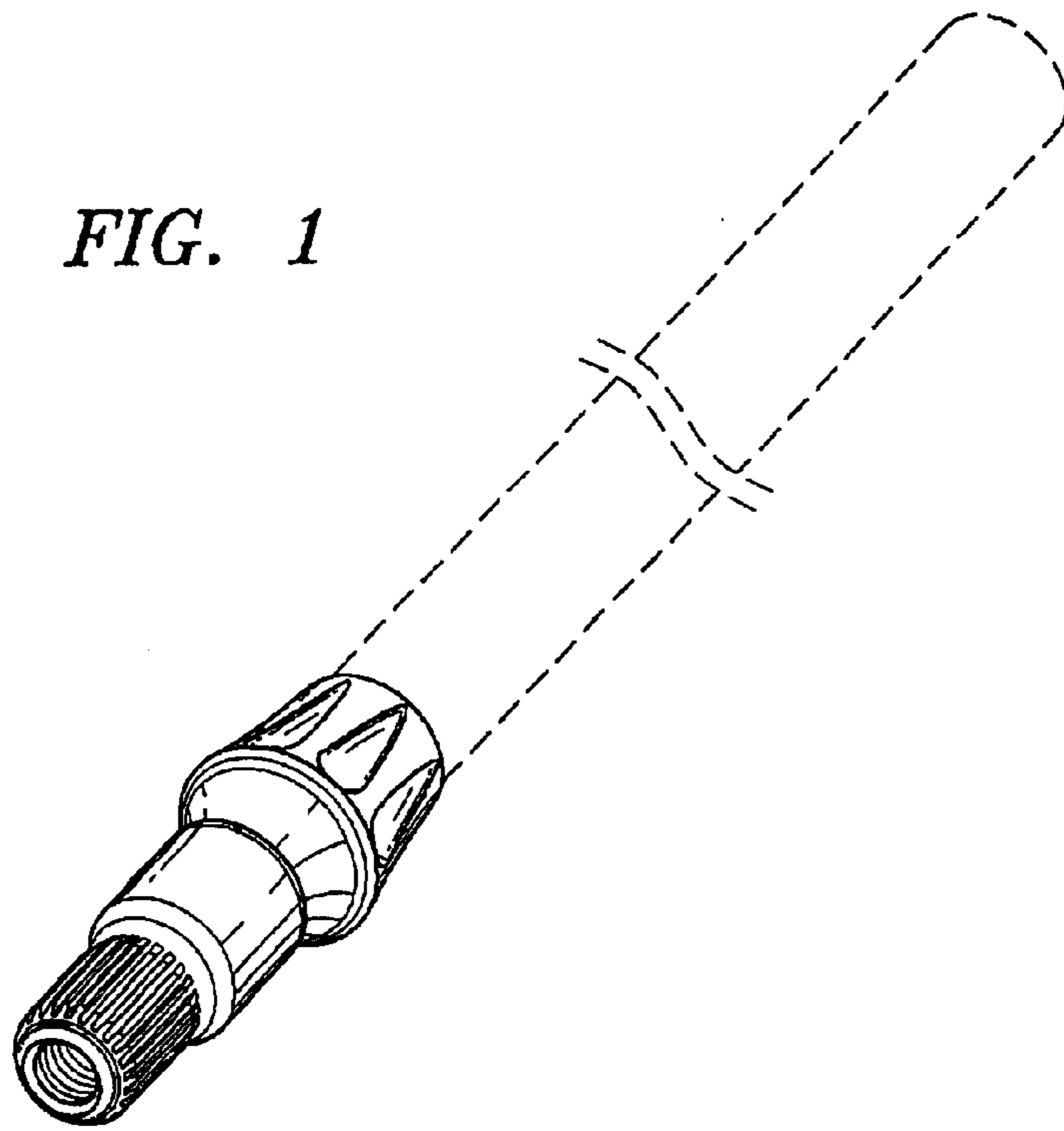
(56) **References Cited**

**U.S. PATENT DOCUMENTS**

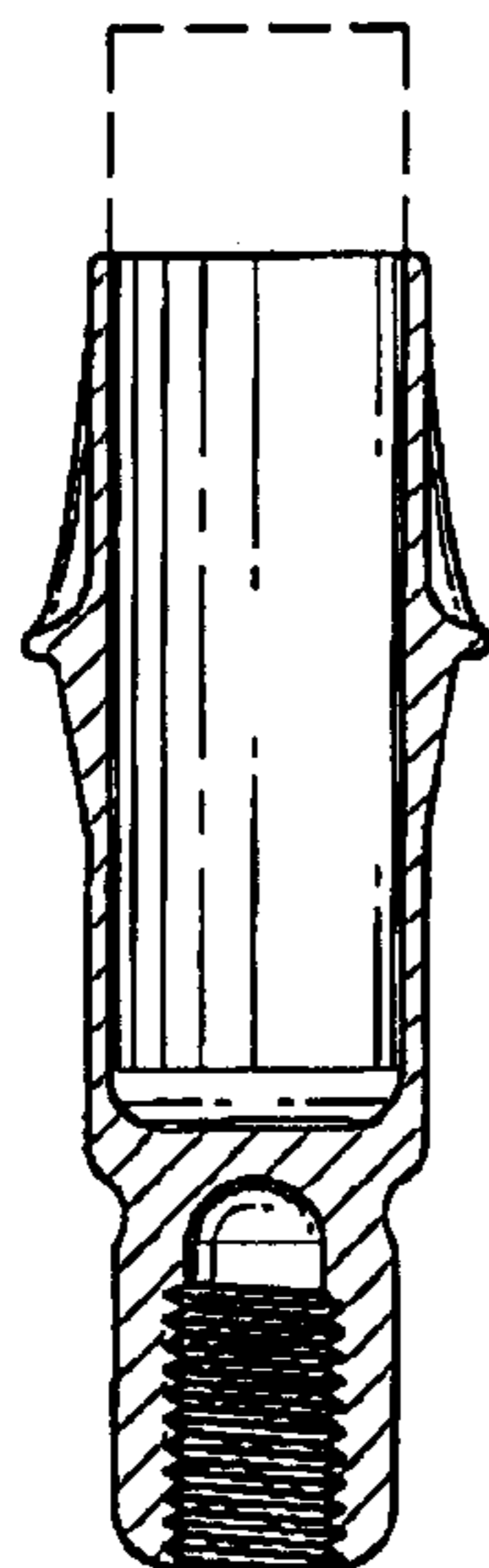
6,273,828 B1 \* 8/2001 Wood et al. .... 473/307 X  
6,352,482 B1 \* 3/2002 Jacobson et al. .... 473/310  
6,547,673 B2 \* 4/2003 Roark ..... 473/307 X

**1 Claim, 2 Drawing Sheets**

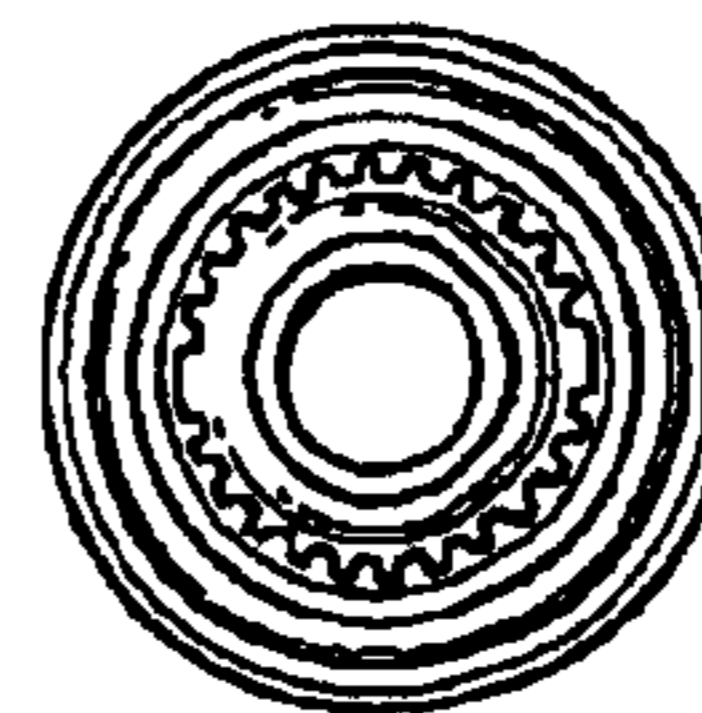




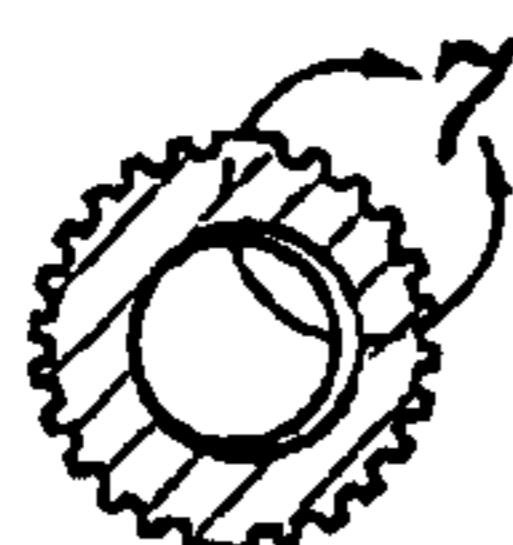
*FIG. 2*



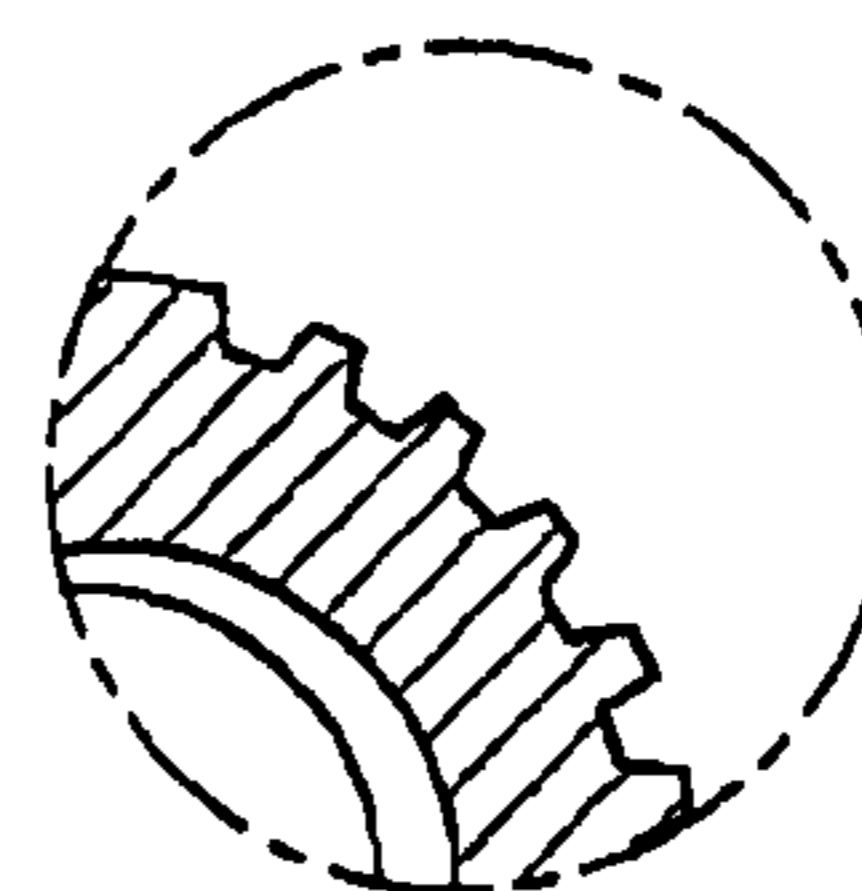
*FIG. 4*



*FIG. 5*



*FIG. 6*



*FIG. 7*