



US00D537890S

(12) **United States Design Patent**
Broersma

(10) **Patent No.:** **US D537,890 S**

(45) **Date of Patent:** **** Mar. 6, 2007**

- (54) **FUEL CELL MARKER**
- (75) **Inventor:** **Lester Broersma**, San Diego, CA (US)
- (73) **Assignee:** **Brass Eagle, LLC**, Bentonville, AK (US)
- (**) **Term:** **14 Years**
- (21) **Appl. No.:** **29/222,448**
- (22) **Filed:** **Jan. 28, 2005**
- (51) **LOC (8) Cl.** **21-01**
- (52) **U.S. Cl.** **D21/573**
- (58) **Field of Classification Search** D21/570-574;
D22/100, 101, 103, 108, 109; 124/32, 41.1,
124/45, 49, 51.1, 56, 70-74, 77
See application file for complete search history.

5,078,118 A	1/1992	Perrone	124/74
5,149,898 A	9/1992	Chesnut et al.	42/69.01
D337,627 S *	7/1993	Moran	D21/572
5,228,427 A	7/1993	Gardner, Jr.	124/71
5,261,384 A	11/1993	Hu	124/66
5,280,778 A	1/1994	Kotsiopoulos	124/73
5,282,454 A	2/1994	Bell et al.	124/49
5,293,708 A	3/1994	Strayer et al.	42/75.03
5,349,939 A	9/1994	Perrone	124/76
5,363,834 A	11/1994	Stuchlik	124/76
5,370,105 A	12/1994	Firman	124/56
5,413,083 A	5/1995	Jones	124/32
5,462,042 A	10/1995	Grenwell	124/76
5,503,137 A	4/1996	Fusco	124/72
5,613,483 A	3/1997	Lukas et al.	124/73
5,634,456 A	6/1997	Perrone	124/76
5,727,538 A	3/1998	Ellis	124/77
5,736,720 A	4/1998	Bell et al.	235/1
5,816,232 A	10/1998	Bell	124/51.1
5,878,736 A	3/1999	Lotuaco, III	124/71
5,881,707 A	3/1999	Gardner, Jr.	124/77

(56) **References Cited**

(Continued)

U.S. PATENT DOCUMENTS

FOREIGN PATENT DOCUMENTS

1,743,576 A	1/1930	Smith	124/72
2,550,887 A	5/1951	Tratsch	124/1
2,568,432 A	9/1951	Cook	124/13
2,845,055 A	7/1958	Collins et al.	124/11
3,089,476 A	5/1963	Wolverton	124/11
3,240,200 A	3/1966	Jones	124/11
3,273,553 A	9/1966	Doyle	124/3
3,374,708 A	3/1968	Wall et al.	89/1
3,494,344 A	2/1970	Vadas et al.	124/11
3,572,310 A	3/1971	Kensuke	124/11
3,695,246 A	10/1972	Filippi et al.	124/11
3,818,887 A	6/1974	Akiyama et al.	124/15
3,899,845 A	8/1975	Wild et al.	42/69
4,066,000 A	1/1978	Rostocil	89/198
4,362,145 A	12/1982	Stelcher	124/32
4,602,608 A	7/1986	Lacam et al.	124/74
4,679,487 A	7/1987	Houseman	89/140
4,694,815 A	9/1987	Hung	124/27
4,770,153 A	9/1988	Edelman	124/72
4,779,245 A	10/1988	Chelminski	357/144
4,819,609 A	4/1989	Tippmann	124/72
4,899,717 A	2/1990	Rutten et al.	124/67
4,936,282 A	6/1990	Dobbins et al.	124/74
5,063,905 A	11/1991	Farrell	124/72

GB	2391292	2/2004
----	---------	--------

Primary Examiner—Holly N. Baynham
Assistant Examiner—Cynthia M. Chin
(74) *Attorney, Agent, or Firm*—Keisling Pieper & Scott PLC; David B. Pieper; Trent C. Keisling

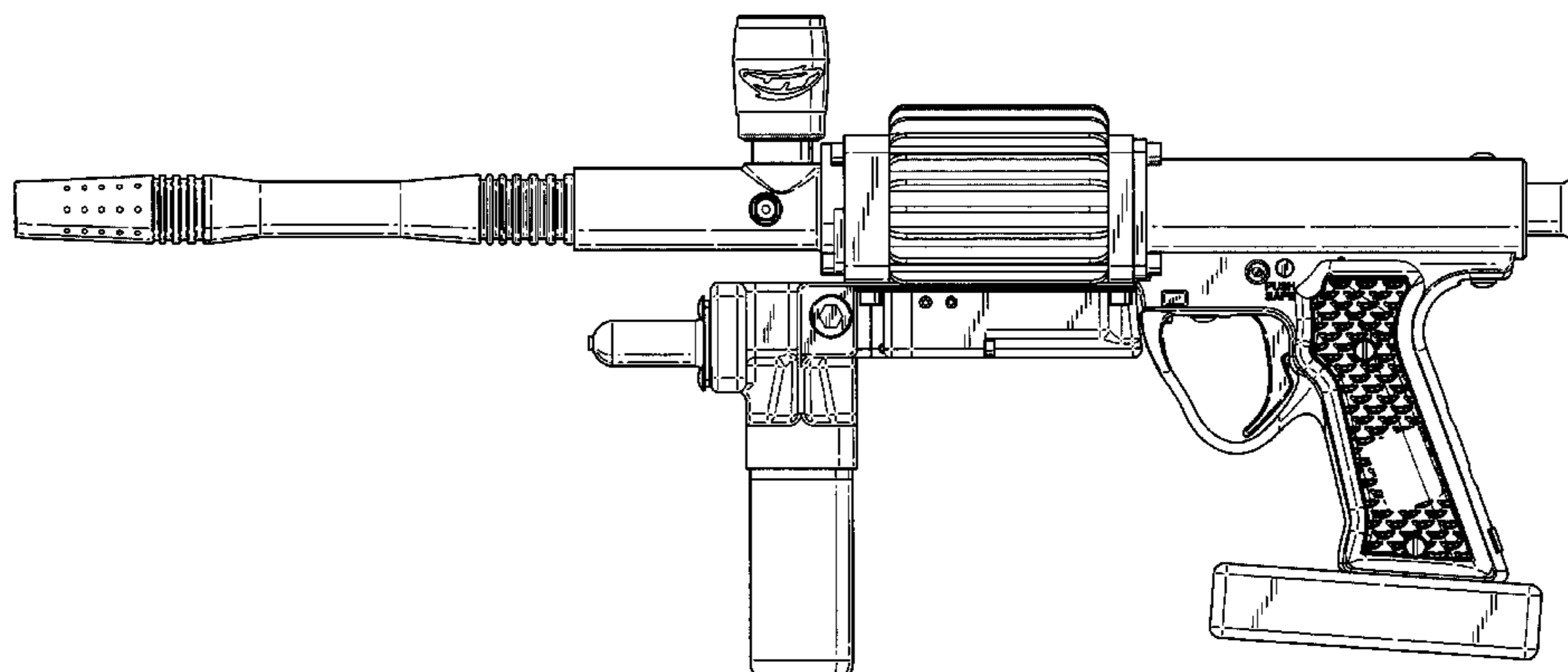
(57) **CLAIM**

The ornamental design for a fuel cell marker, as shown and described.

DESCRIPTION

FIG. 1 is a left side view of the fuel cell marker; FIG. 2 is an enlarged back view of the design of FIG. 1; FIG. 3 is a right side view of the design of FIG. 1; FIG. 4 is an enlarged front view of the design of FIG. 1; FIG. 5 is a top view of the design of FIG. 1; and, FIG. 6 is a bottom view of the design of FIG. 1.

1 Claim, 6 Drawing Sheets



US D537,890 S

Page 2

U.S. PATENT DOCUMENTS

5,890,479	A	4/1999	Morin	124/31
5,913,303	A	6/1999	Kotsiopoulos	124/31
5,967,133	A	10/1999	Gardner, Jr.	124/77
6,003,504	A	12/1999	Rice et al.	124/73
6,035,843	A	3/2000	Smith et al.	124/77
6,048,280	A	4/2000	Palmer et al.	473/416
6,055,975	A	5/2000	Gallagher et al.	124/50
6,065,460	A	5/2000	Lotuaco, III	124/72
6,138,656	A	10/2000	Rice et al.	124/73
6,142,137	A	11/2000	MacLaughlin	124/72
6,260,821	B1	7/2001	Perry et al.	251/314
6,311,682	B1	11/2001	Rice et al.	124/71
6,349,711	B1	2/2002	Perry et al.	124/73
6,439,217	B1	8/2002	Shih	124/77
6,494,194	B2	12/2002	Shipachev et al.	124/73
6,494,195	B2	12/2002	Perry et al.	124/84
6,532,949	B1	3/2003	McKendrick	124/77
6,550,468	B1	4/2003	Tippmann, Jr.	124/71
6,553,983	B1	4/2003	Li	124/73
6,578,566	B2	6/2003	Hernandez	124/73
6,590,386	B1	7/2003	Williams	324/178
6,615,814	B1	9/2003	Rice et al.	124/71
6,626,165	B1	9/2003	Bhagal	124/77
6,629,379	B1	10/2003	Doiron	42/70.11
6,637,420	B2	10/2003	Moritz	124/73
6,637,421	B2	10/2003	Smith et al.	124/77
D482,082	S	* 11/2003	Chang	D21/573
6,644,295	B2	11/2003	Jones	124/77
6,658,982	B2	12/2003	Cherry	89/1.42
6,694,963	B1	2/2004	Taylor	124/32
6,705,036	B2	3/2004	Orr	42/69.01
6,725,852	B1	4/2004	Yokota	124/49
6,739,322	B2	5/2004	Rice et al.	124/49
6,748,938	B2	6/2004	Rice et al.	124/77
6,763,822	B1	7/2004	Styles	124/77
6,802,306	B1	10/2004	Rice	124/74
2002/0096164	A1	* 7/2002	Perrone	124/77
2003/0131514	A1	7/2003	Rice et al.	42/69.01
2003/0154968	A1	8/2003	Rice et al.	124/71
2003/0178018	A1	* 9/2003	Cherry	124/76
2003/0221684	A1	12/2003	Rice	124/71
2004/0011344	A1	1/2004	Rice et al.	124/73
2004/0074489	A1	4/2004	Neumaster et al.	124/79
2004/0084040	A1	5/2004	Jones	124/77
2004/0112356	A1	* 6/2004	Hatcher	124/41.1

* cited by examiner

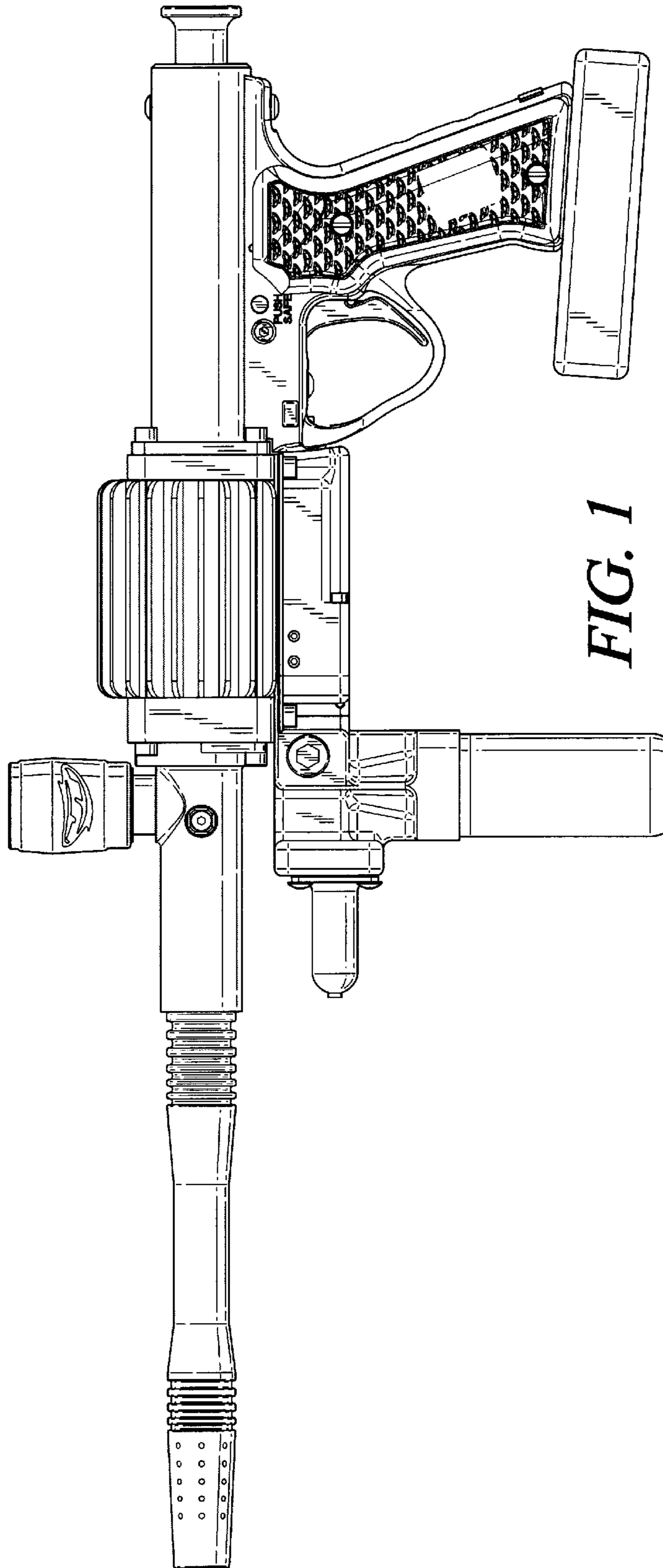


FIG. 1

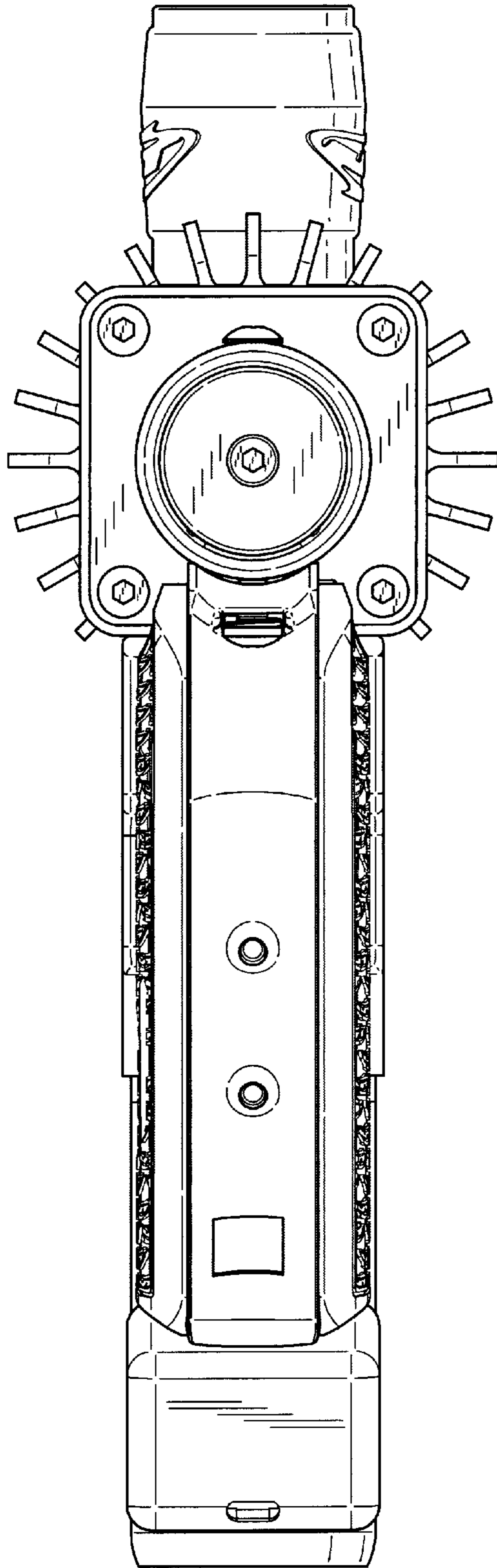


FIG. 2

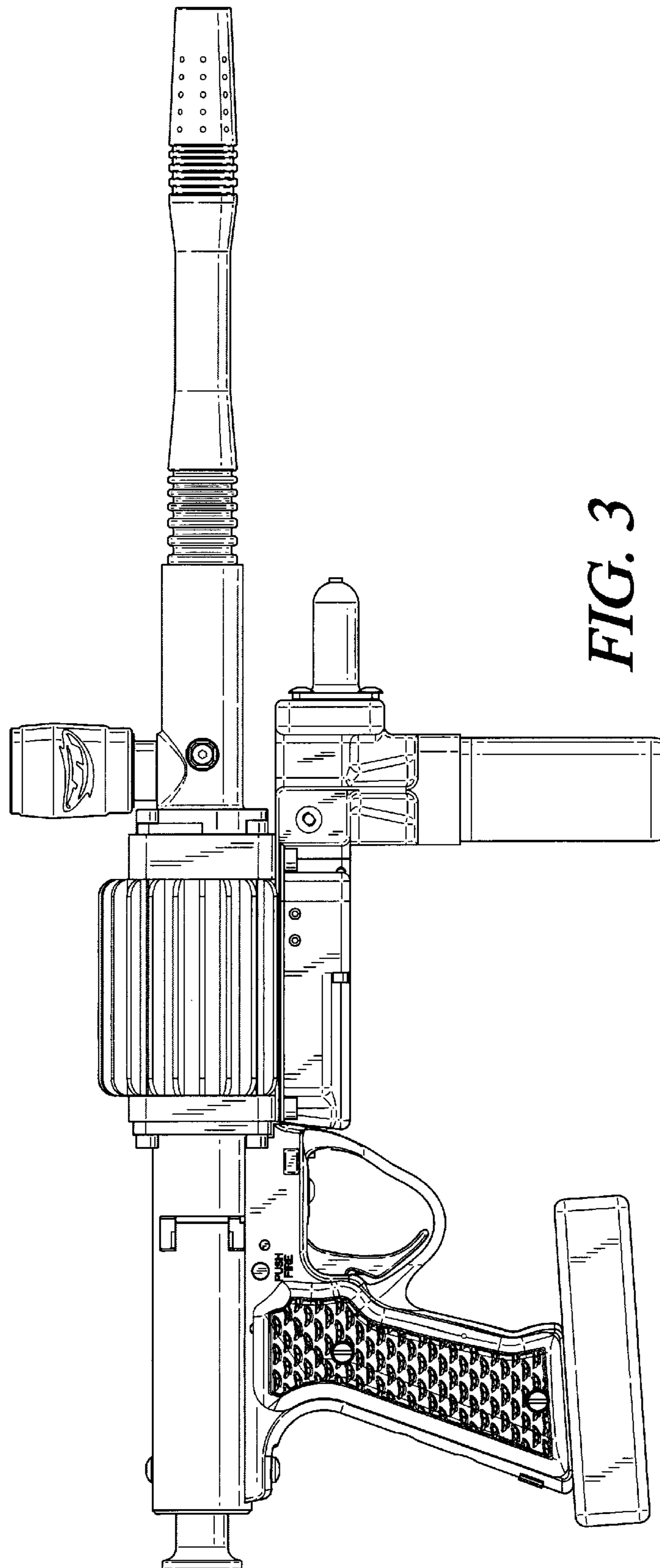


FIG. 3

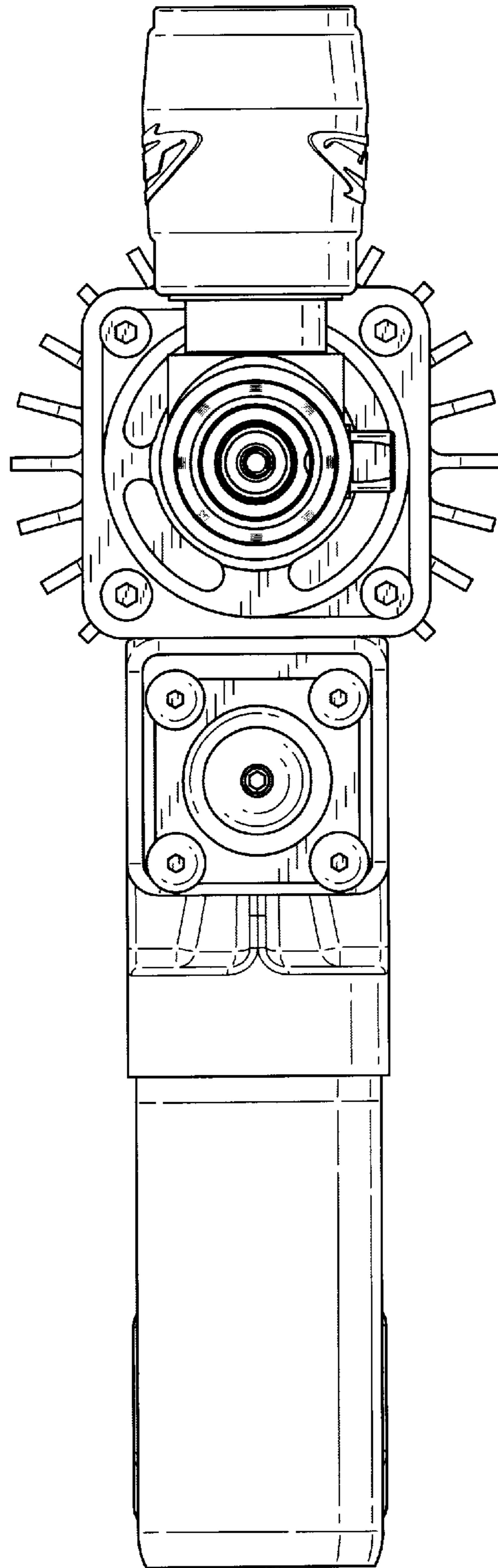


FIG. 4

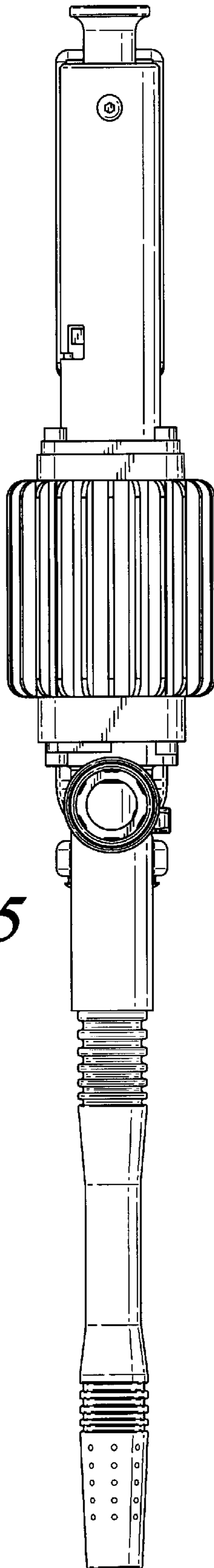


FIG. 5

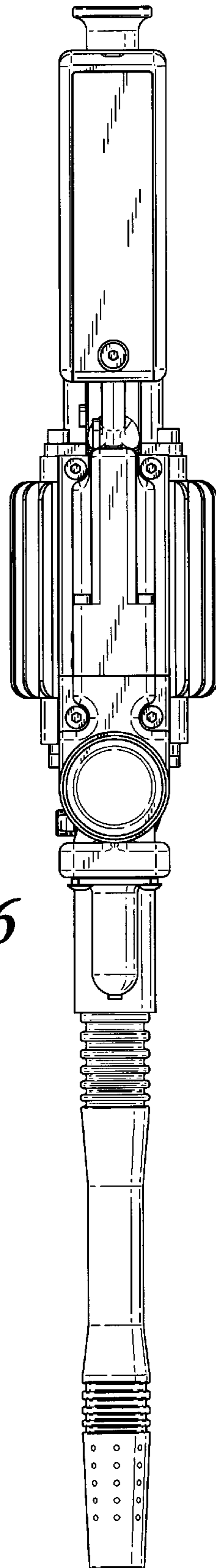


FIG. 6