



US00D537887S

(12) **United States Design Patent**
Gardiner

(10) **Patent No.:** **US D537,887 S**

(45) **Date of Patent:** **** Mar. 6, 2007**

(54) **POKER TABLE**

(75) Inventor: **Donald Gardiner**, Churchill (CA)

(73) Assignee: **Fat Diamond, Inc.**, Ontario (CA)

(**) Term: **14 Years**

(21) Appl. No.: **29/232,561**

(22) Filed: **Jun. 22, 2005**

(30) **Foreign Application Priority Data**

May 16, 2005 (CA) 111225

(51) **LOC (8) Cl.** **21-01**

(52) **U.S. Cl.** **D21/397; D6/511**

(58) **Field of Classification Search** D6/420-423,
D6/426, 511; D21/369, 385, 392-397; 273/138.1-138.2,
273/309; 463/16-17, 20, 25-26, 42, 46-47
See application file for complete search history.

(56) **References Cited**

U.S. PATENT DOCUMENTS

D233,088 S * 10/1974 Sharky D6/423

4,614,342 A * 9/1986 Takashima 463/26

D523,093 S * 6/2006 Kaminkow et al. D21/369

2002/0037763 A1 * 3/2002 Idaka 463/16

OTHER PUBLICATIONS

Bettor Games Co. advertisement, Bettor Games "Video
Blackjack".*

* cited by examiner

Primary Examiner—Sandra L. Morris

(74) *Attorney, Agent, or Firm*—B. Aaron Schulman; Stites
& Harbison PLLC

(57) **CLAIM**

The ornamental design for a poker table, as shown and
described.

DESCRIPTION

FIG. 1 is a front perspective view of the poker table
according to the present invention;

FIG. 2 is a side view of the poker table depicted in FIG. 1;

FIG. 3 is a side view of the poker table depicted in FIG. 1;

FIG. 4 is a side view of the poker table depicted in FIG. 1;

FIG. 5 is a plan view of the poker table depicted in FIG. 1;

FIG. 6 is a front perspective view of another embodiment of
the poker table;

FIG. 7 is a side view of the poker table depicted in FIG. 6;

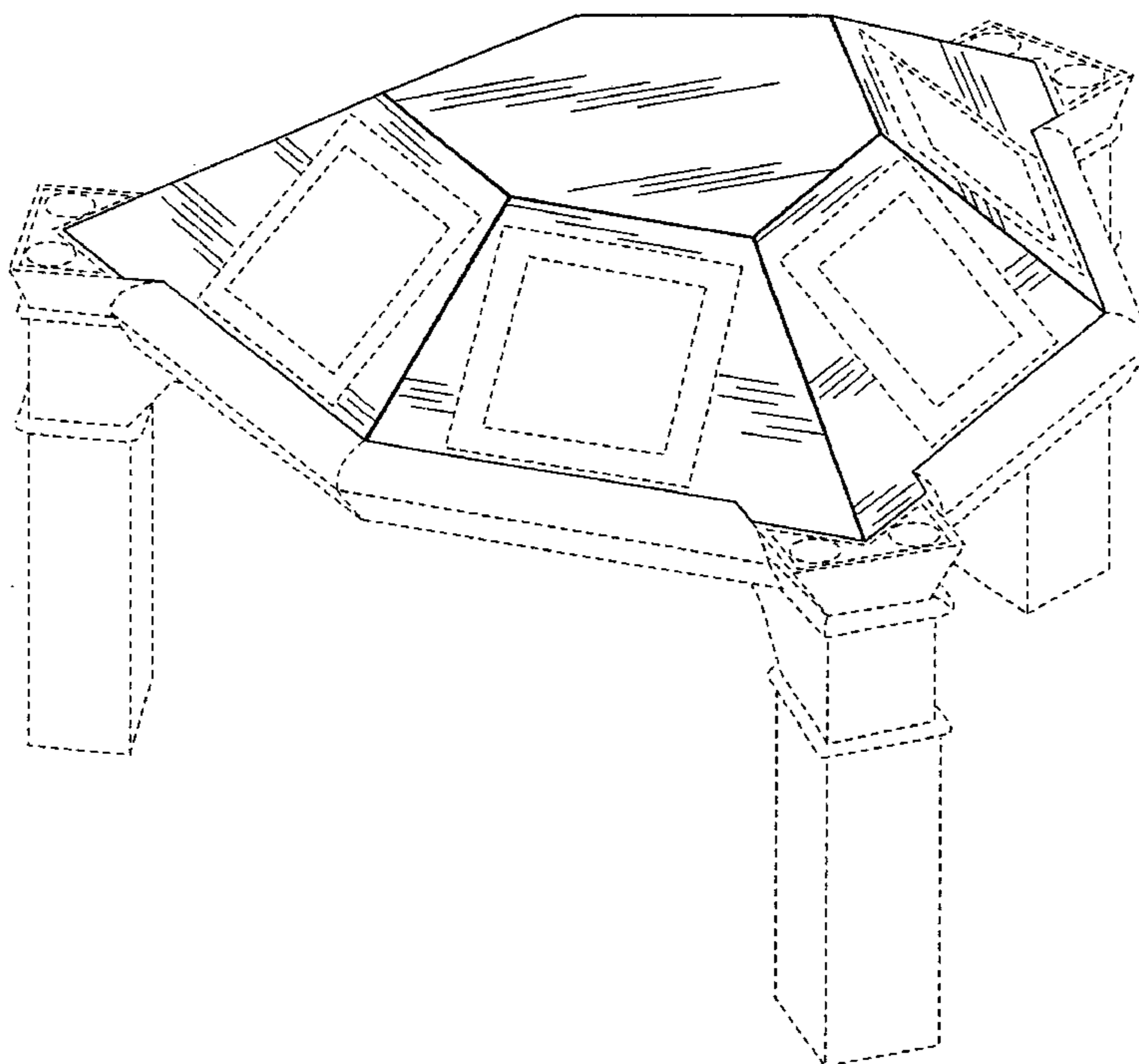
FIG. 8 is a side view of the poker table depicted in FIG. 6;

FIG. 9 is a side view of the poker table depicted in FIG. 6;
and,

FIG. 10 is a plan view of the poker table depicted in FIG. 6.

The broken line showing is for illustrative purposes only,
and forms no part of the claimed design.

1 Claim, 8 Drawing Sheets



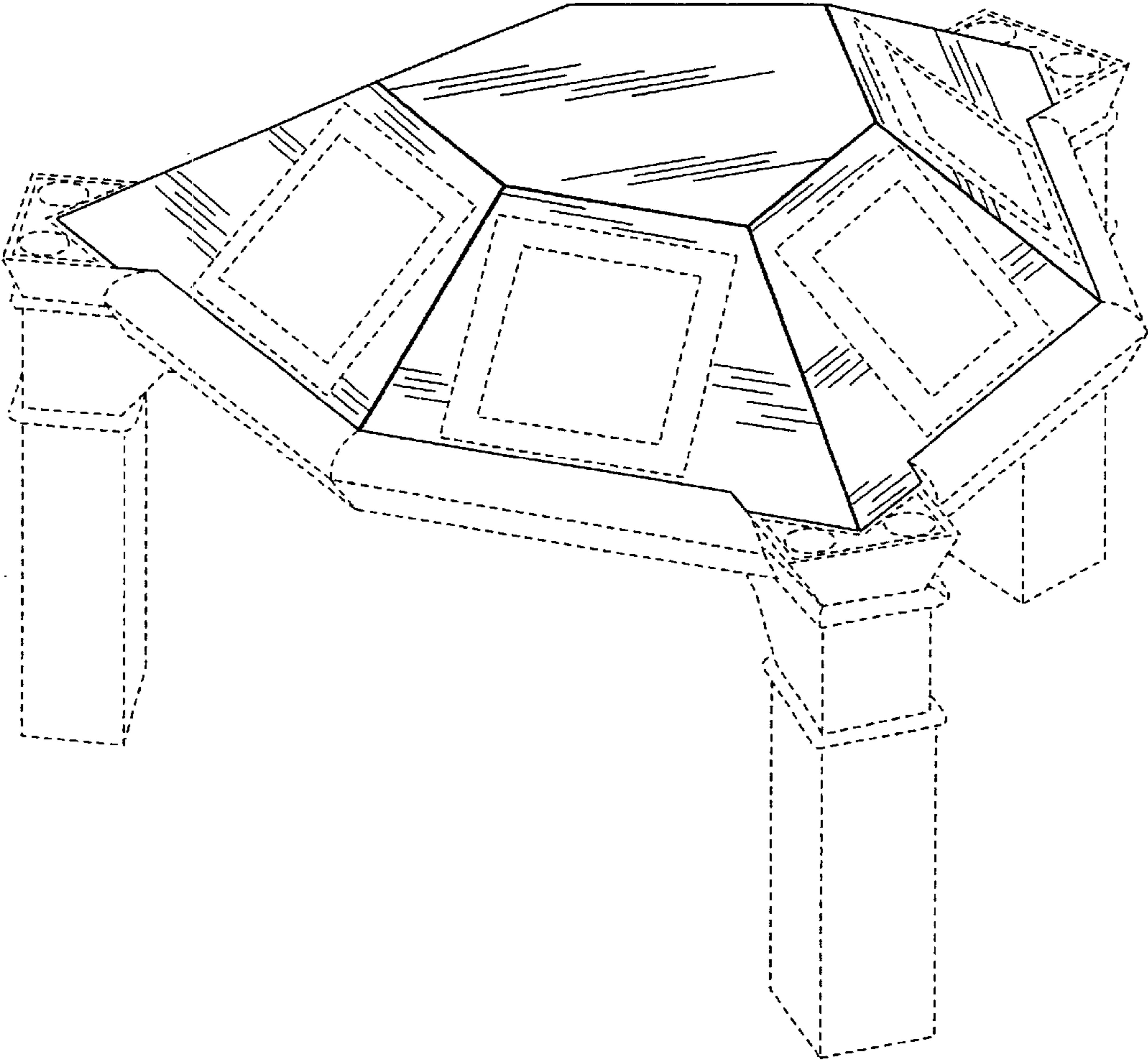


FIG. 1

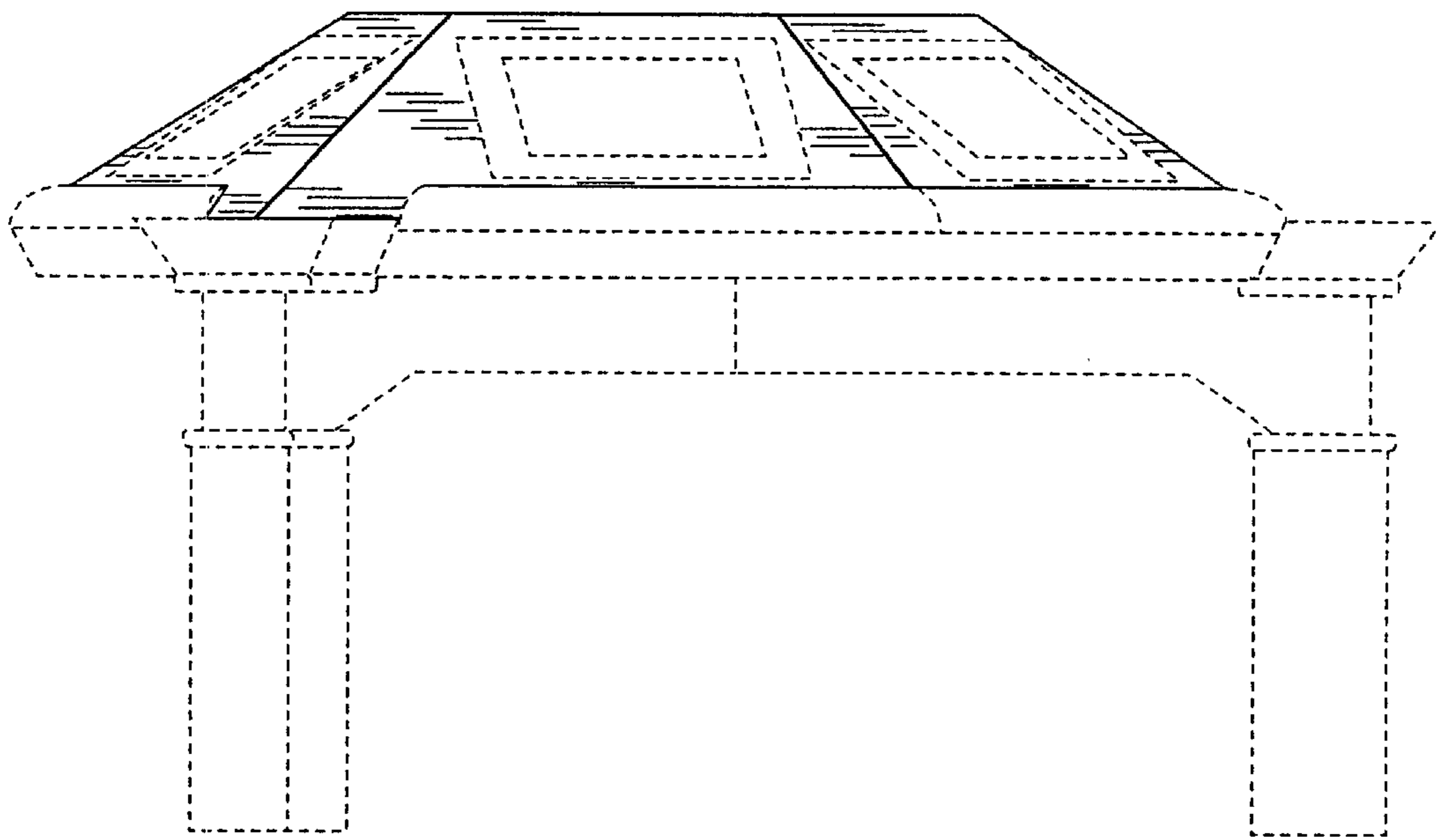


FIG. 2

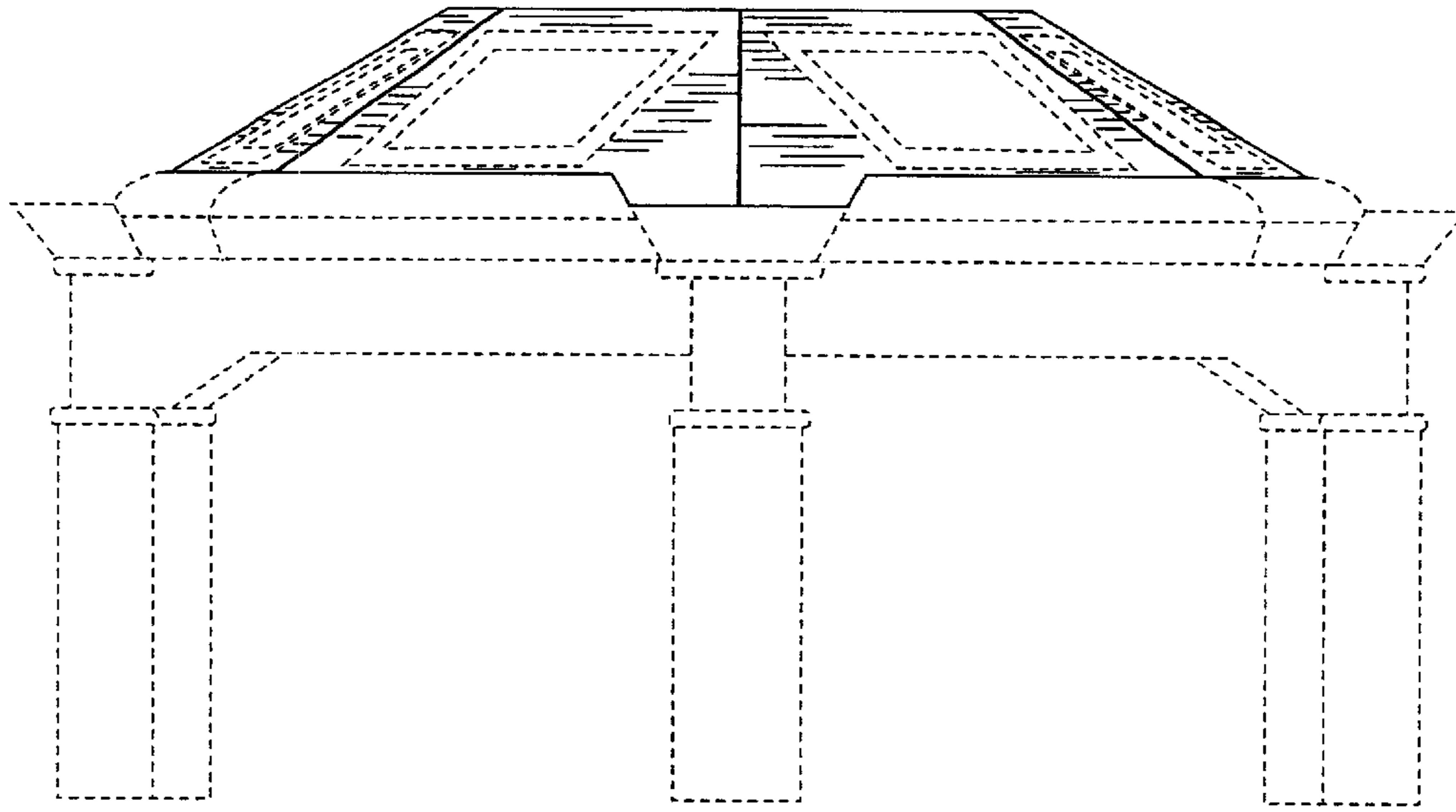


FIG. 3

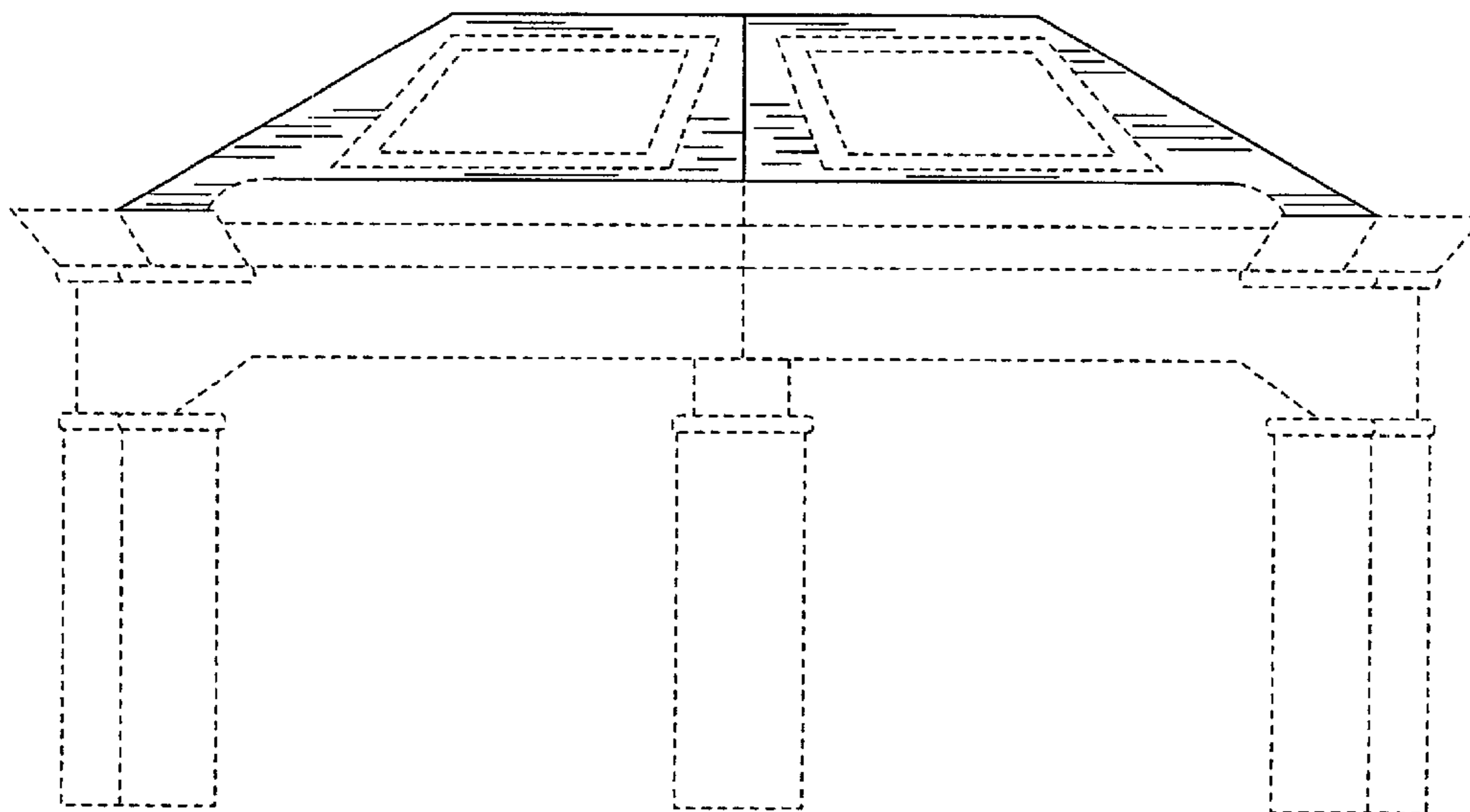


FIG. 4

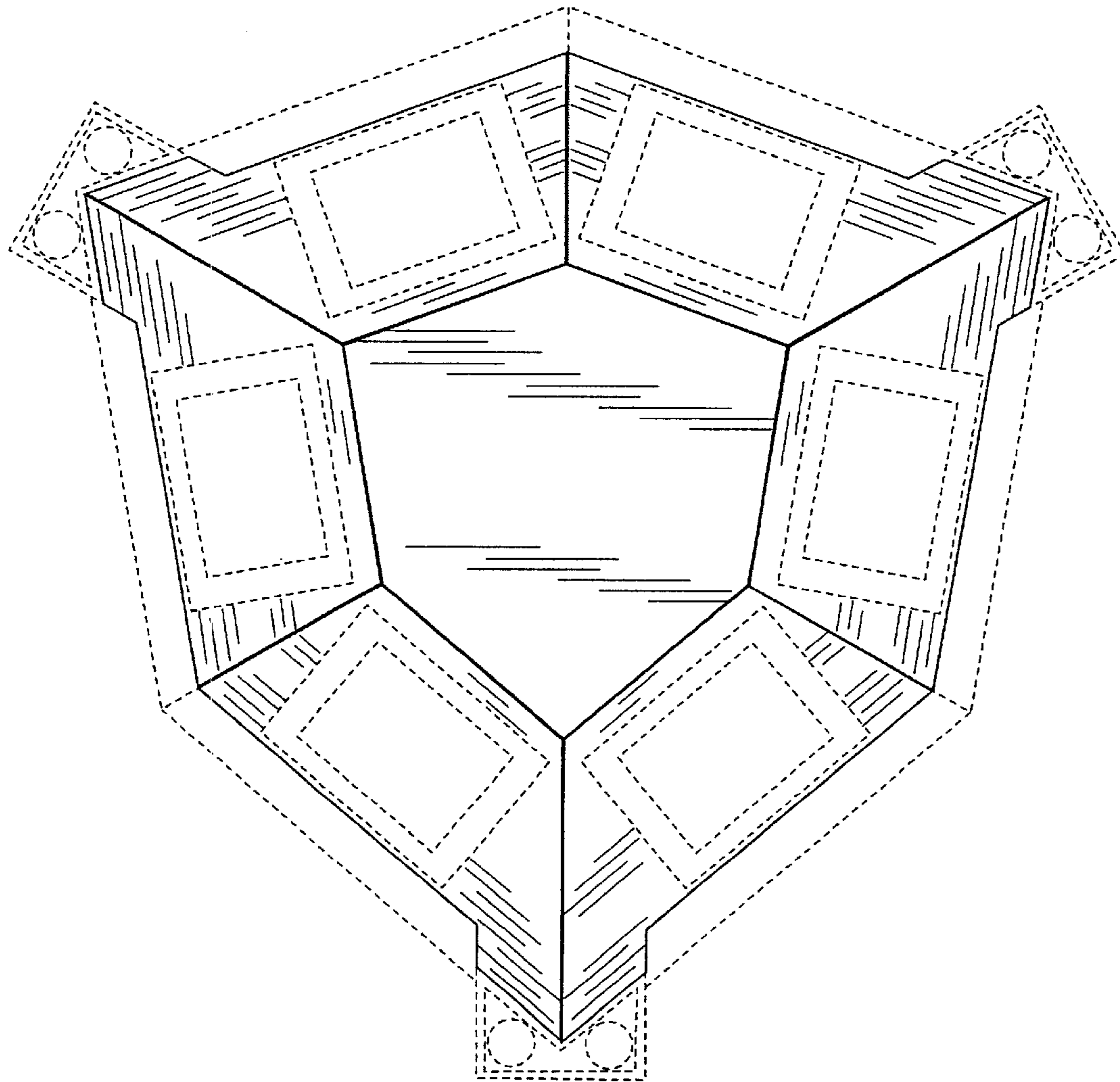


FIG. 5

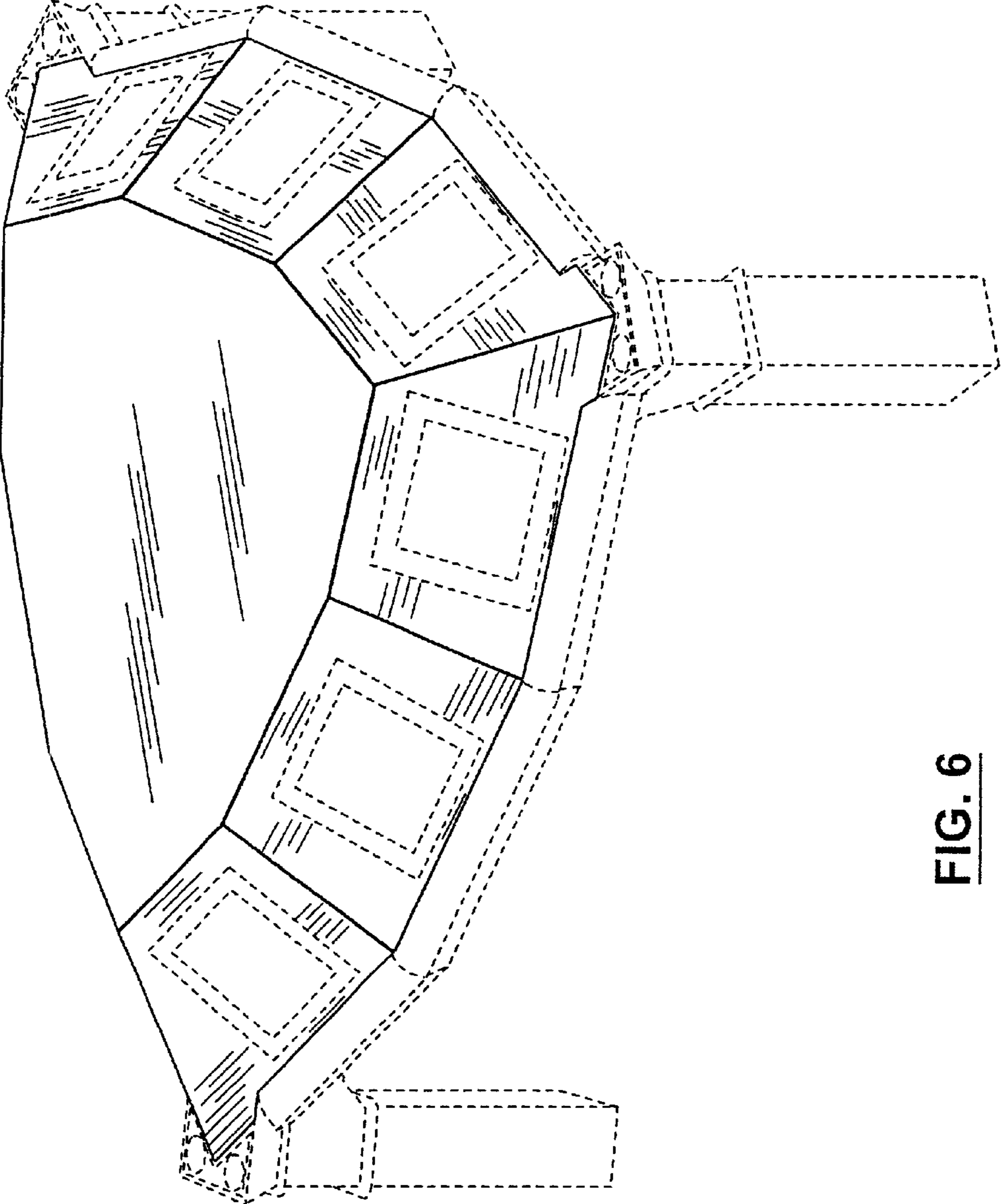


FIG. 6

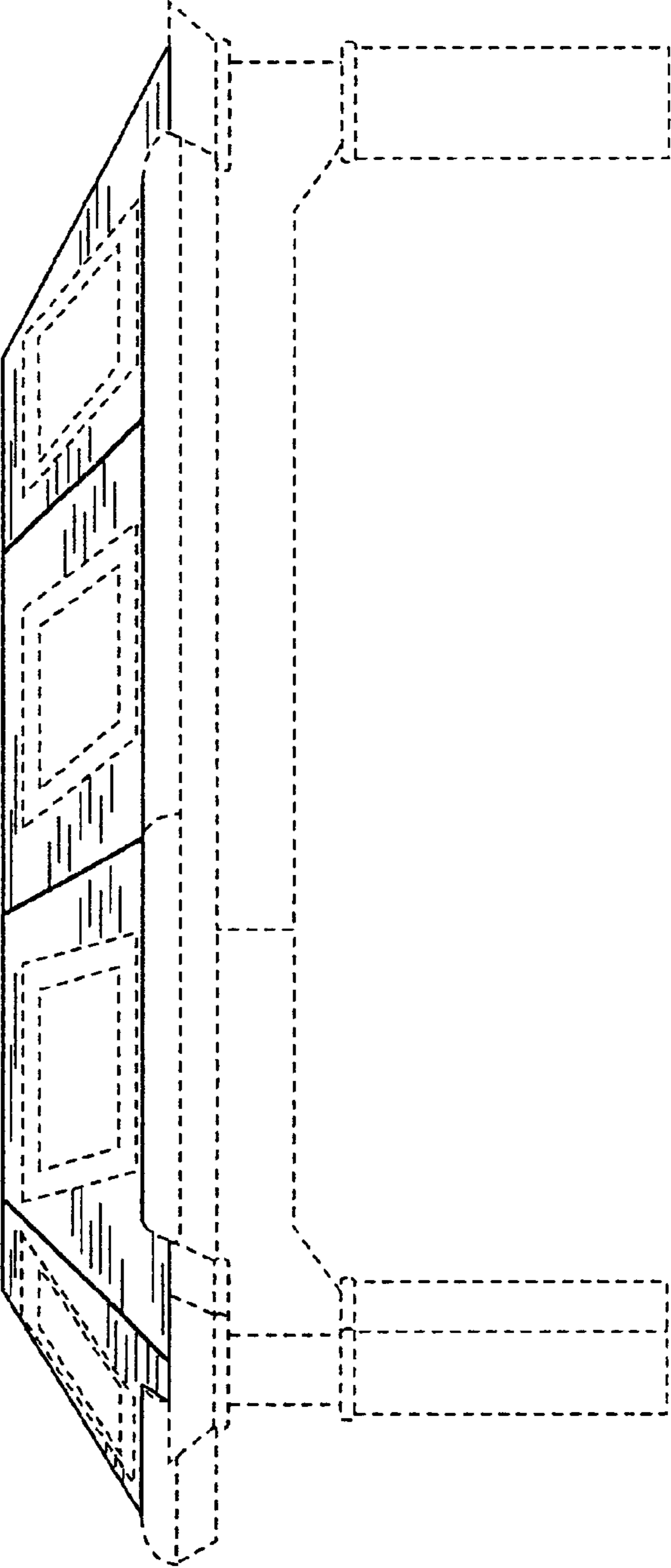


FIG. 7

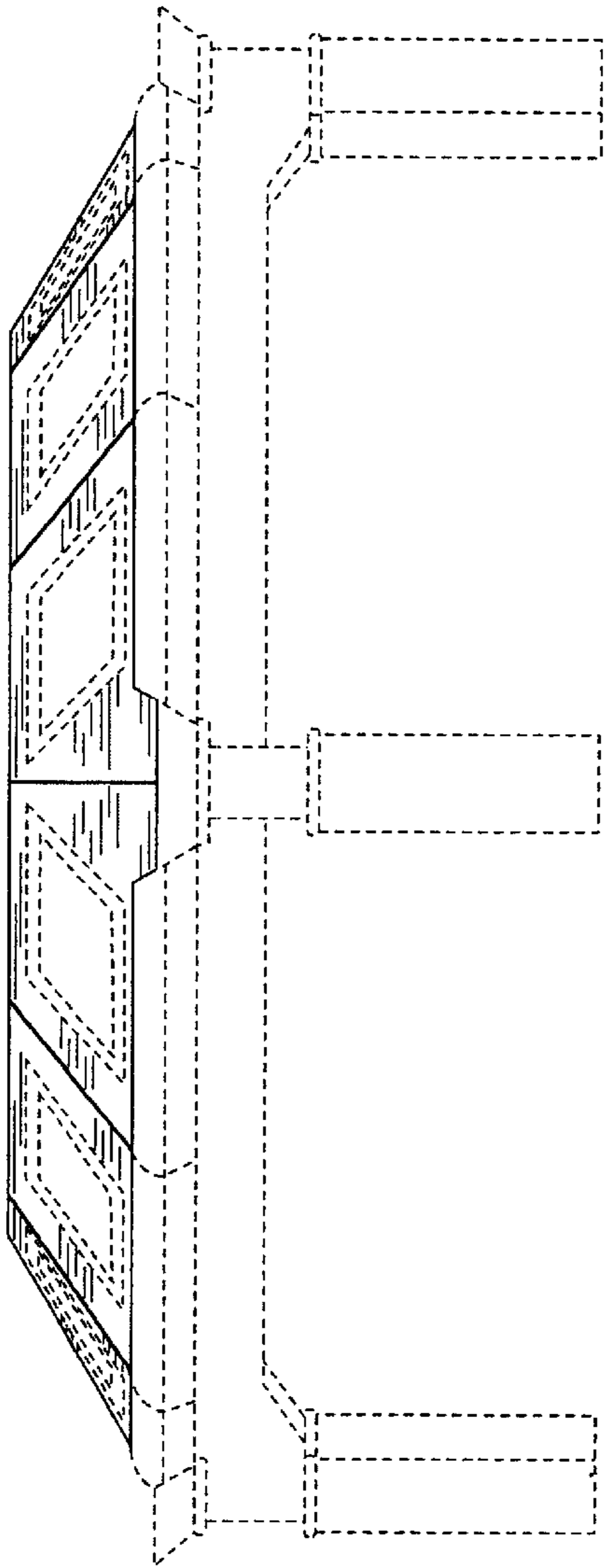


FIG. 8

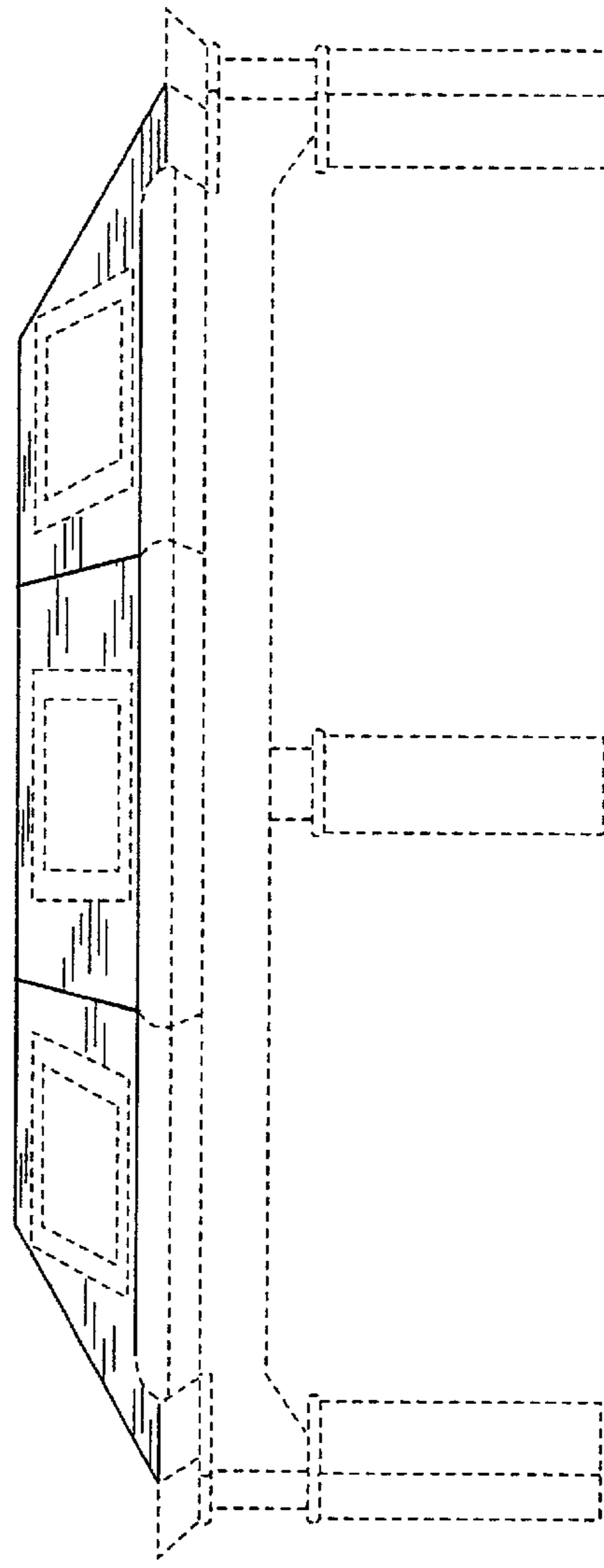


FIG. 9

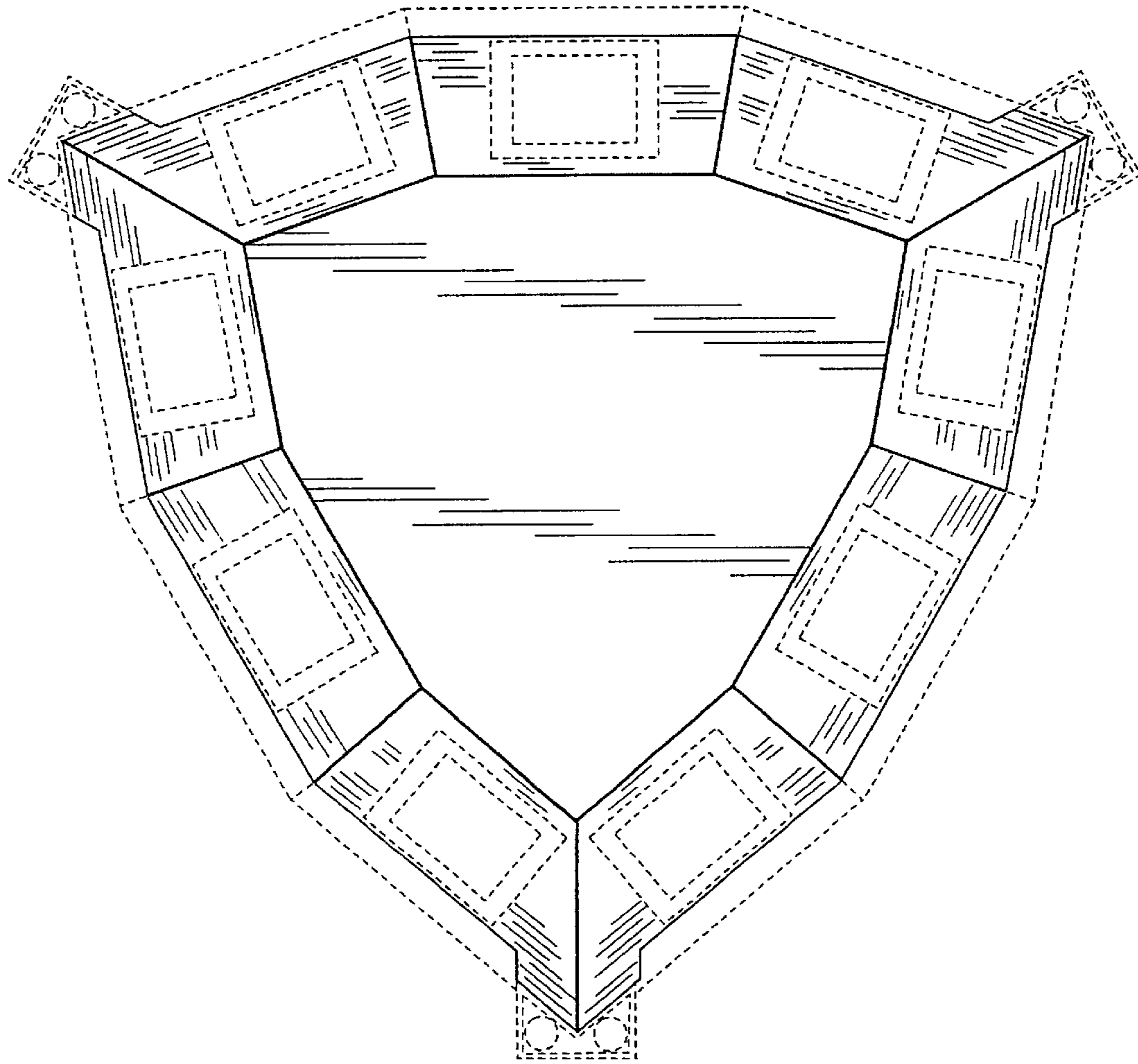


FIG. 10