



US00D537883S

(12) **United States Design Patent**
Gunter et al.

(10) **Patent No.:** **US D537,883 S**

(45) **Date of Patent:** **** Mar. 6, 2007**

(54) **CUSTOM-BUILT-FOR BADGE**
(75) Inventors: **Douglas K. Gunter**, Denton, TX (US);
Phillip J. Hall, Denton, TX (US)
(73) Assignee: **Paccar Inc**, Bellevue, WA (US)
(**) Term: **14 Years**

D429,766 S * 8/2000 Elmer D20/10
D435,066 S * 12/2000 Hirschman D19/52
D465,811 S * 11/2002 Schaub D20/10
D466,943 S * 12/2002 Schaub D20/10
D483,413 S * 12/2003 Merenlender D20/41
D501,888 S * 2/2005 Arceta D20/10

* cited by examiner

Primary Examiner—Robert M. Spear
(74) *Attorney, Agent, or Firm*—Sidley Austin LLP

(21) Appl. No.: **29/233,062**
(22) Filed: **Jun. 27, 2005**

(57) **CLAIM**

(51) **LOC (8) Cl.** **20-03**
(52) **U.S. Cl.** **D20/10**
(58) **Field of Classification Search** D20/10,
D20/11, 34, 40, 41, 42, 43, 44, 99; D6/315,
D6/320, 328; D8/363, 367, 380; 40/322,
40/617, 642.01, 642.02, 661.08, 672, 771,
40/788; 223/85, 87, 91, 97, 98; 248/125.2
See application file for complete search history.

The ornamental design for a custom-built-for badge, as shown and described.

DESCRIPTION

(56) **References Cited**

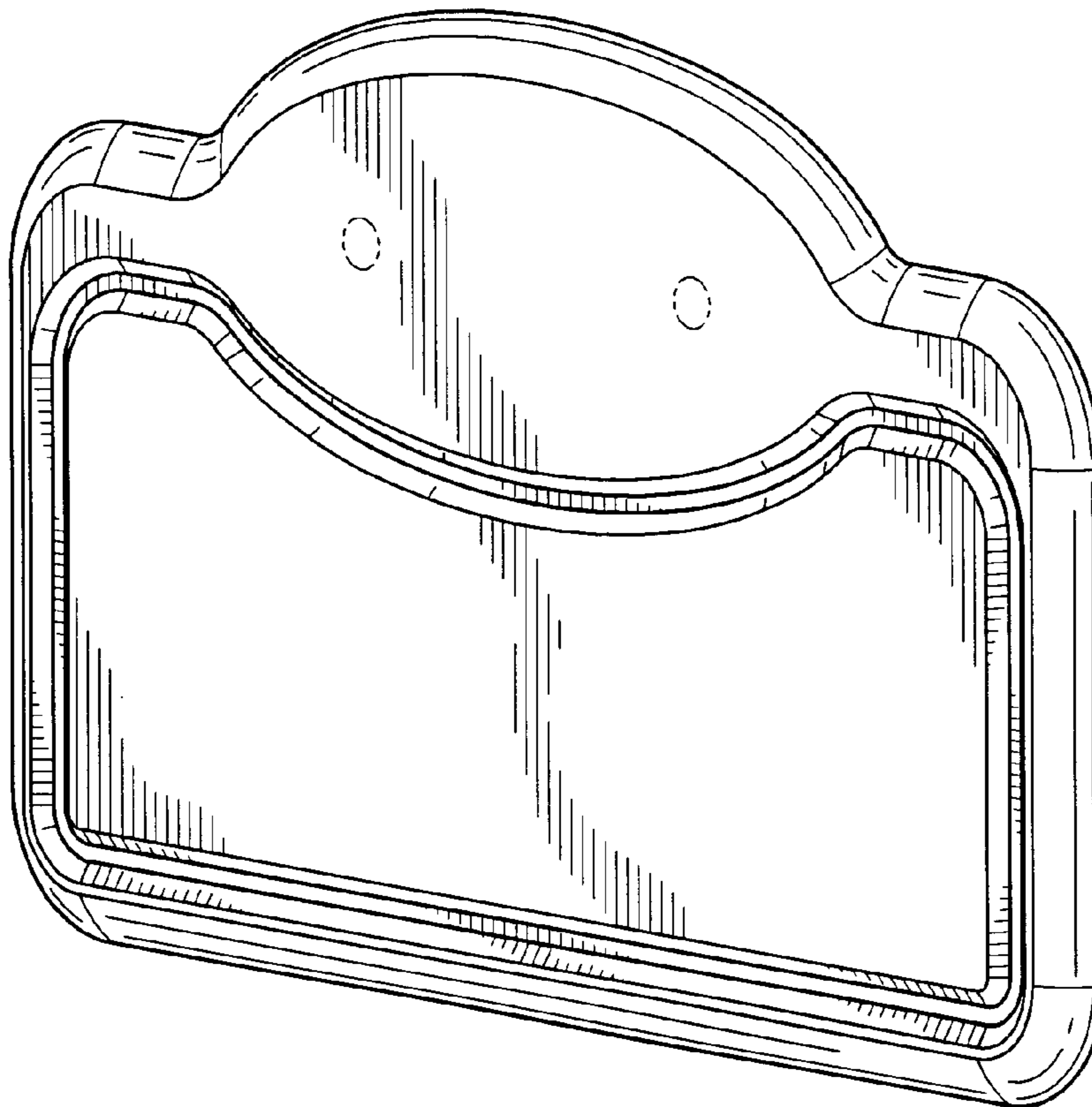
U.S. PATENT DOCUMENTS

D59,374 S * 10/1921 Patterson D20/13
D67,494 S * 6/1925 Campbell D20/10
D70,157 S * 5/1926 Campbell D20/10
D144,886 S * 6/1946 Bair D20/39
3,039,217 A * 6/1962 Stefanakis 40/725
D234,855 S * 4/1975 Allen D11/132

FIG. 1 is an oblique view of a custom-built-for badge showing the front of our new design;
FIG. 2 is a front view;
FIG. 3 is a top view;
FIG. 4 is a left view;
FIG. 5 is a right view; and,
FIG. 6 is an oblique view showing the rear of our new design.

The mounting holes and pins shown in broken lines are for illustrative purposes only and form no part of the claimed design.

1 Claim, 2 Drawing Sheets



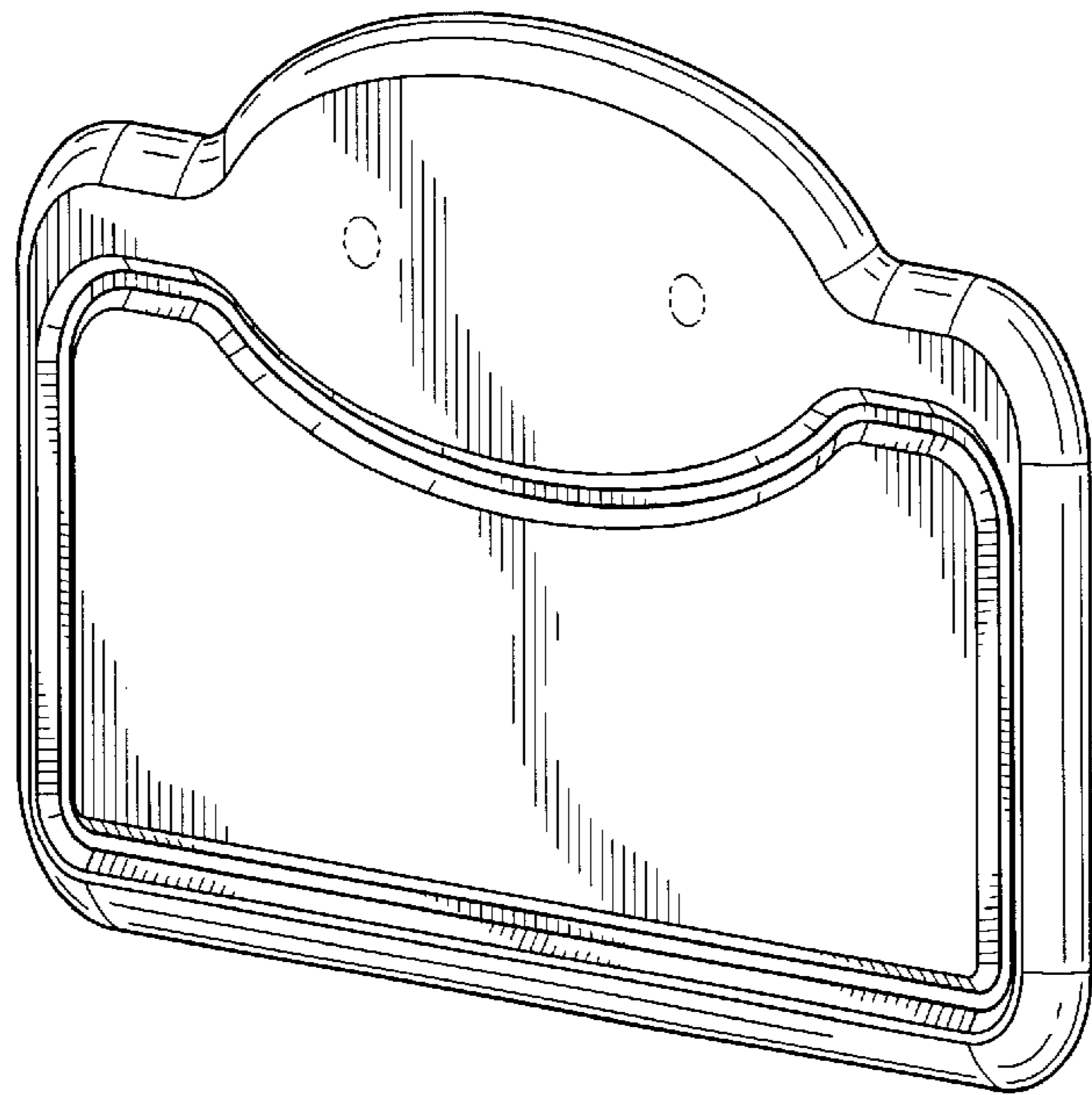


FIG. 1

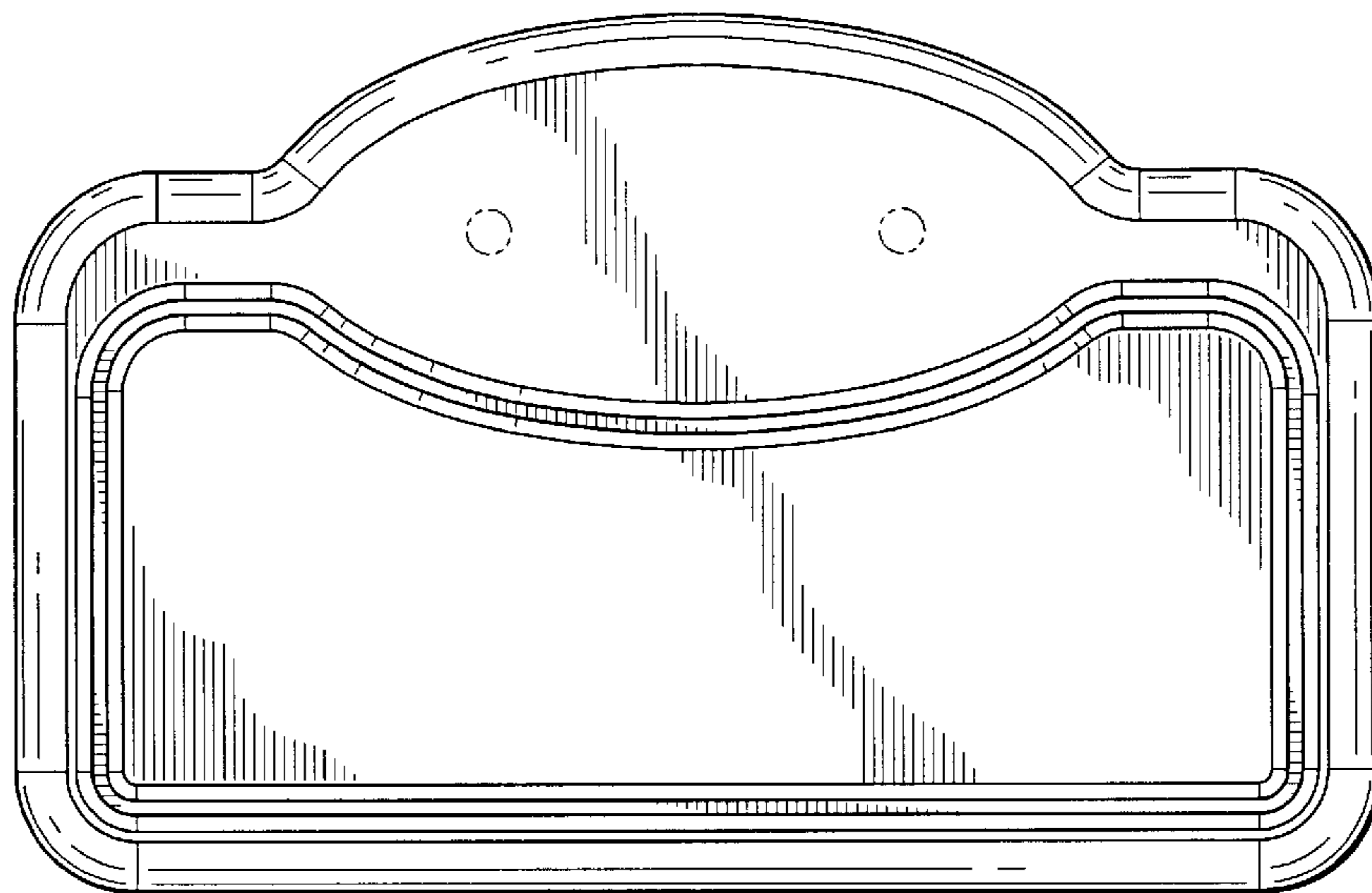


FIG. 2



FIG. 3

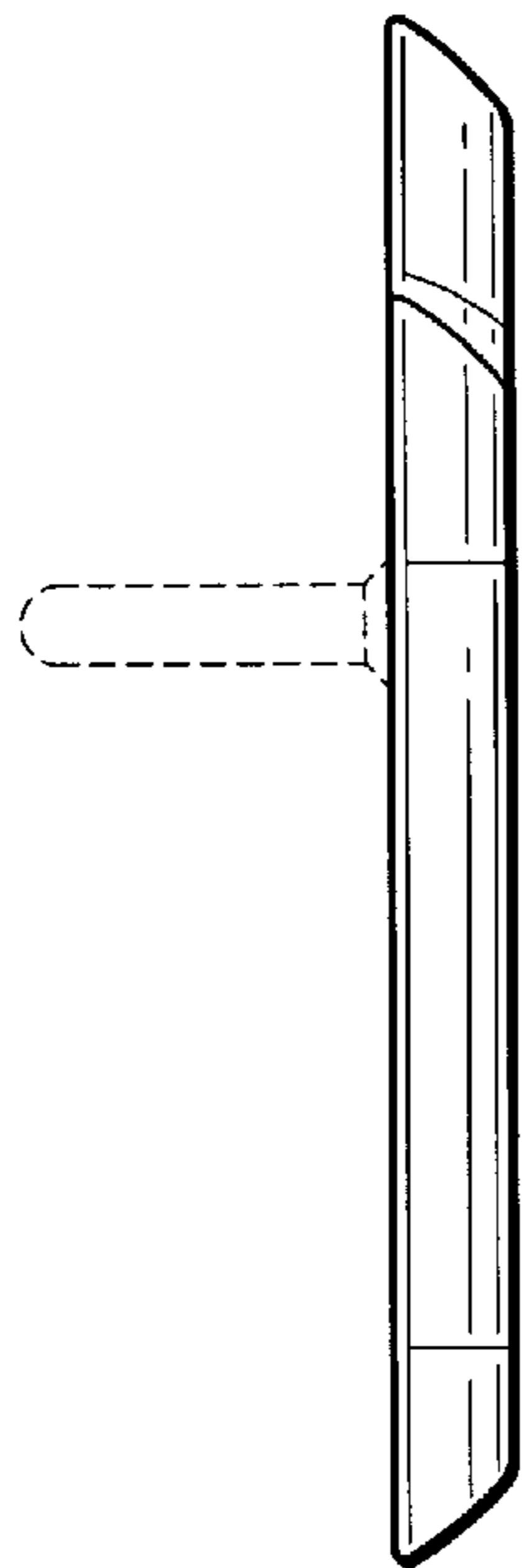


FIG. 4

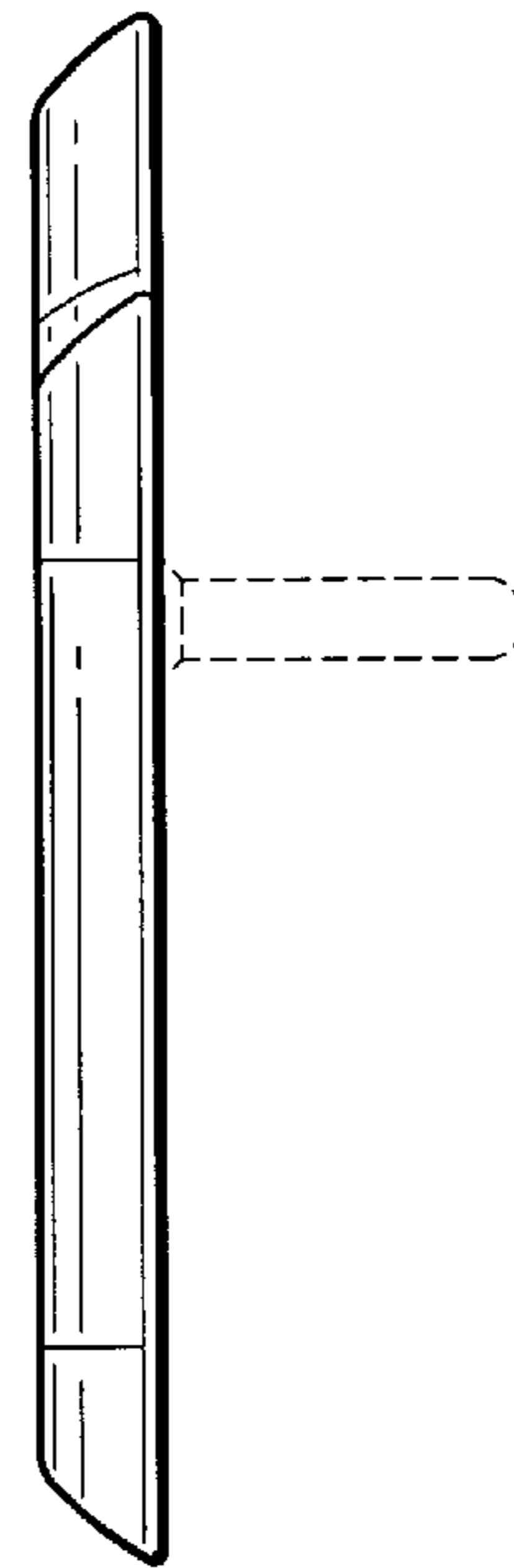


FIG. 5

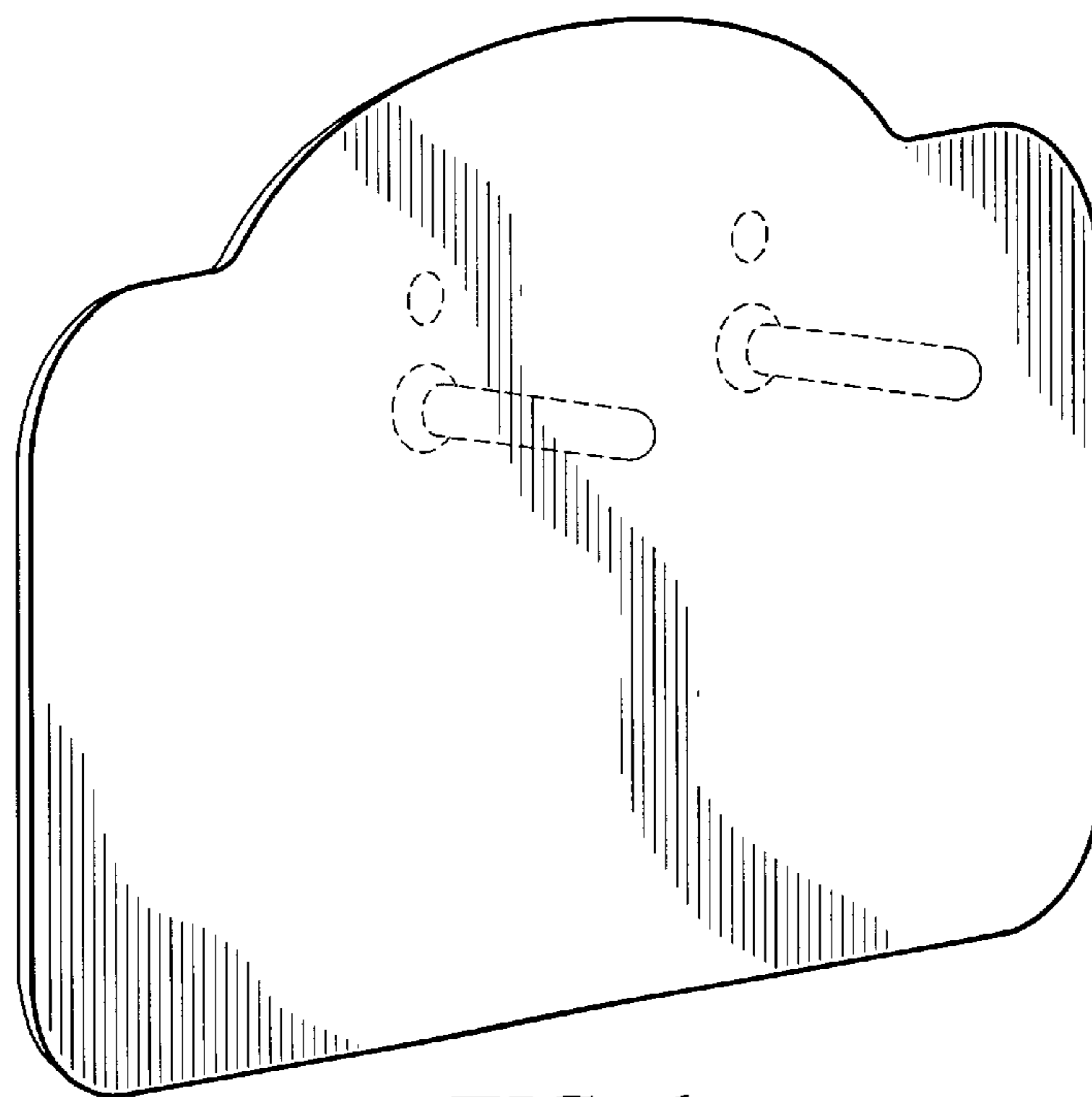


FIG. 6