



US00D537876S

(12) **United States Design Patent**
Balzer

(10) **Patent No.:** **US D537,876 S**

(45) **Date of Patent:** **** Mar. 6, 2007**

(54) **CHILDREN'S ACTIVITY SET AND LAP
DESK**

(75) Inventor: **Jerold Bruce Balzer**, San Francisco,
CA (US)

(73) Assignee: **Artistic Studios, Ltd.**, San Francisco,
CA (US)

(**) Term: **14 Years**

(21) Appl. No.: **29/221,810**

(22) Filed: **Jan. 21, 2005**

(51) **LOC (8) Cl.** **19-06**

(52) **U.S. Cl.** **D19/36; D21/469; D19/88**

(58) **Field of Classification Search** D3/206;
D6/406.6, 509, 698; D19/27, 36, 52, 78,
D19/87, 88, 90, 91, 41, 43; D20/10, 42; D21/468,
D21/469, 470, 471, 472, 473, 474, 475, 476;
40/1, 124.01, 611.02; 434/85, 408, 409, 415,
434/417, 421, 422, 425, 428, 432; 446/146;
D18/15, 16, 17; 101/406; 402/26

See application file for complete search history.

(56) **References Cited**

U.S. PATENT DOCUMENTS

- 2,134,400 A * 10/1938 Grumbacher 402/26
- 2,228,355 A * 1/1941 Key 402/26
- D272,363 S * 1/1984 Matsumuro D18/16
- D280,910 S * 10/1985 Fujikura D18/15
- D349,731 S * 8/1994 Leveen et al. D19/88
- D354,636 S * 1/1995 Cable D6/406.4
- D363,303 S * 10/1995 Winston D18/18

- D364,183 S * 11/1995 Winston D18/15
- D369,183 S * 4/1996 Yoshida D19/49
- D391,988 S * 3/1998 Gayda D19/29
- D401,544 S * 11/1998 Corsetti D12/177
- D413,209 S * 8/1999 Jarke D6/406.3
- D433,451 S * 11/2000 Schultz D19/88
- 6,183,262 B1 * 2/2001 Tseng 434/409
- D523,080 S * 6/2006 Balzer D19/36

* cited by examiner

Primary Examiner—Elizabeth Al. Albert

(74) *Attorney, Agent, or Firm*—Patton Boggs LLP

(57) **CLAIM**

The ornamental design for a children's activity set and lap desk, as shown and described.

DESCRIPTION

FIG. 1 is an exploded front view of a children's activity set and lap desk showing my new design;

FIG. 2 is an exploded back view thereof;

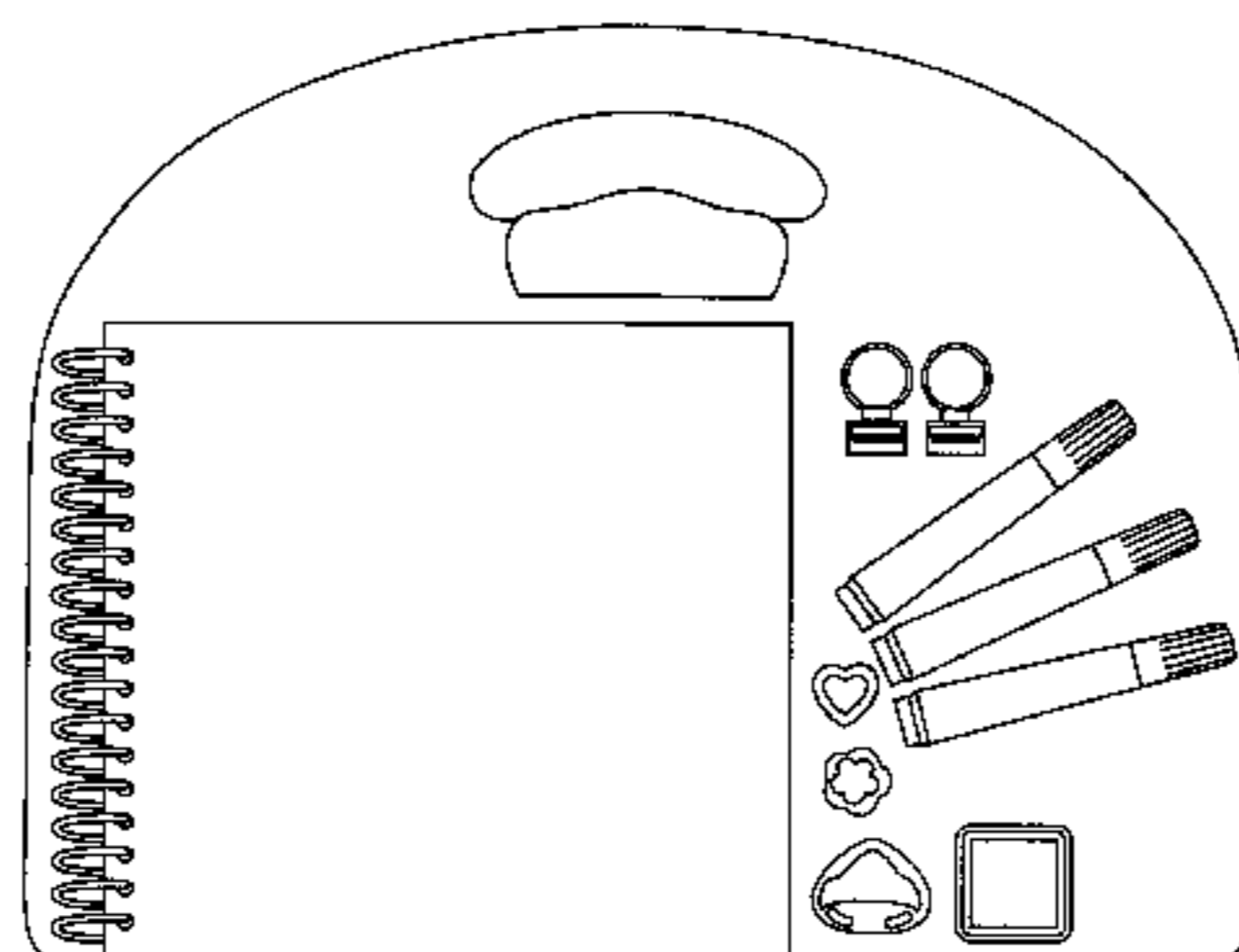
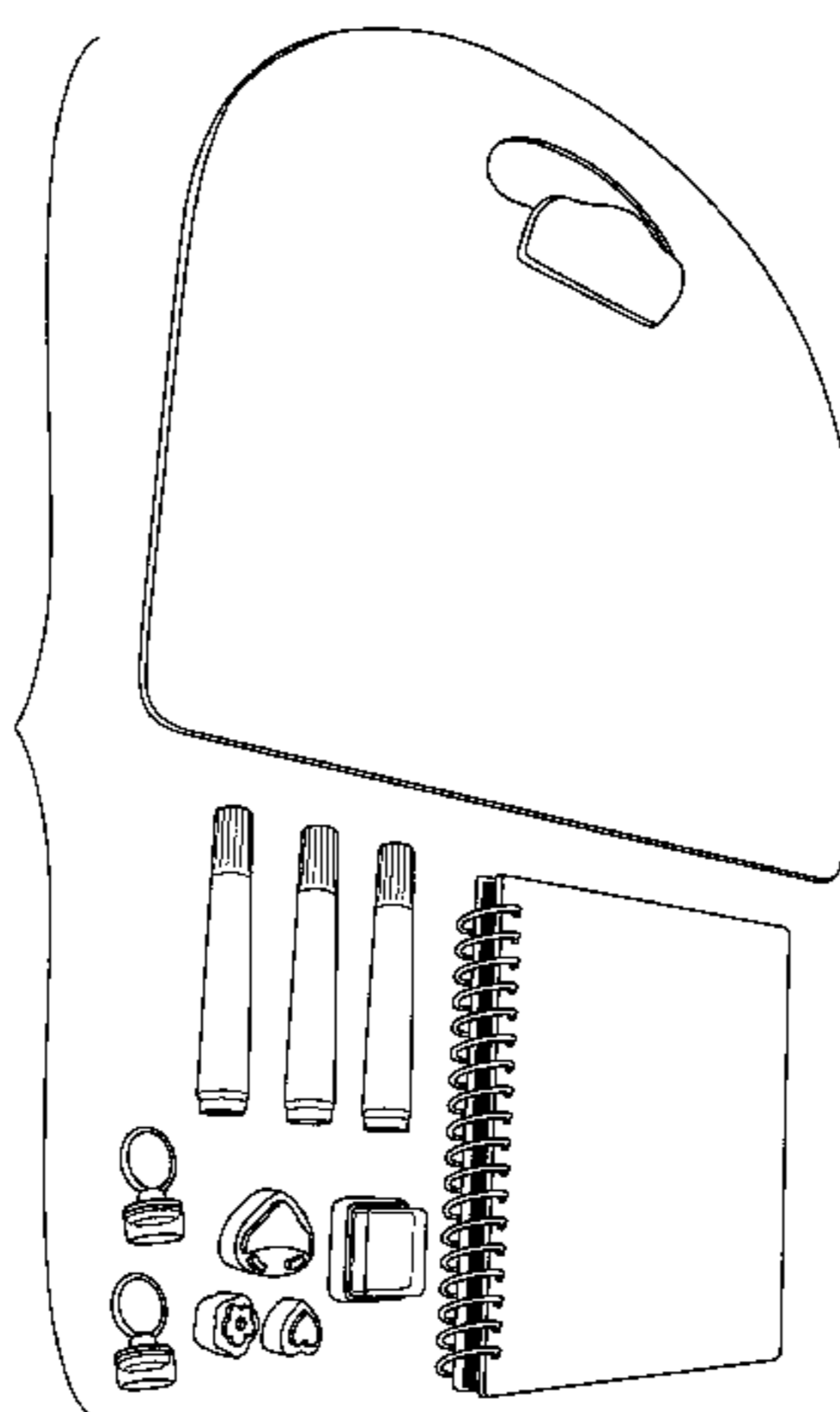
FIG. 3 is an exploded front perspective view thereof;

FIG. 4 is a view of the spiral bound purse of FIGS. 1–3 in opened condition shown by itself for convenience of illustration; and,

FIG. 5 is a view of the children's activity set and lap desk in assembled condition.

The children's activity set and lap desk consists of a clipboard, a spiral notebook, stampers, a stamp pad, and markers. The broken lines showing environment in the drawings are for information purposes only and form no part of the claimed design.

1 Claim, 5 Drawing Sheets



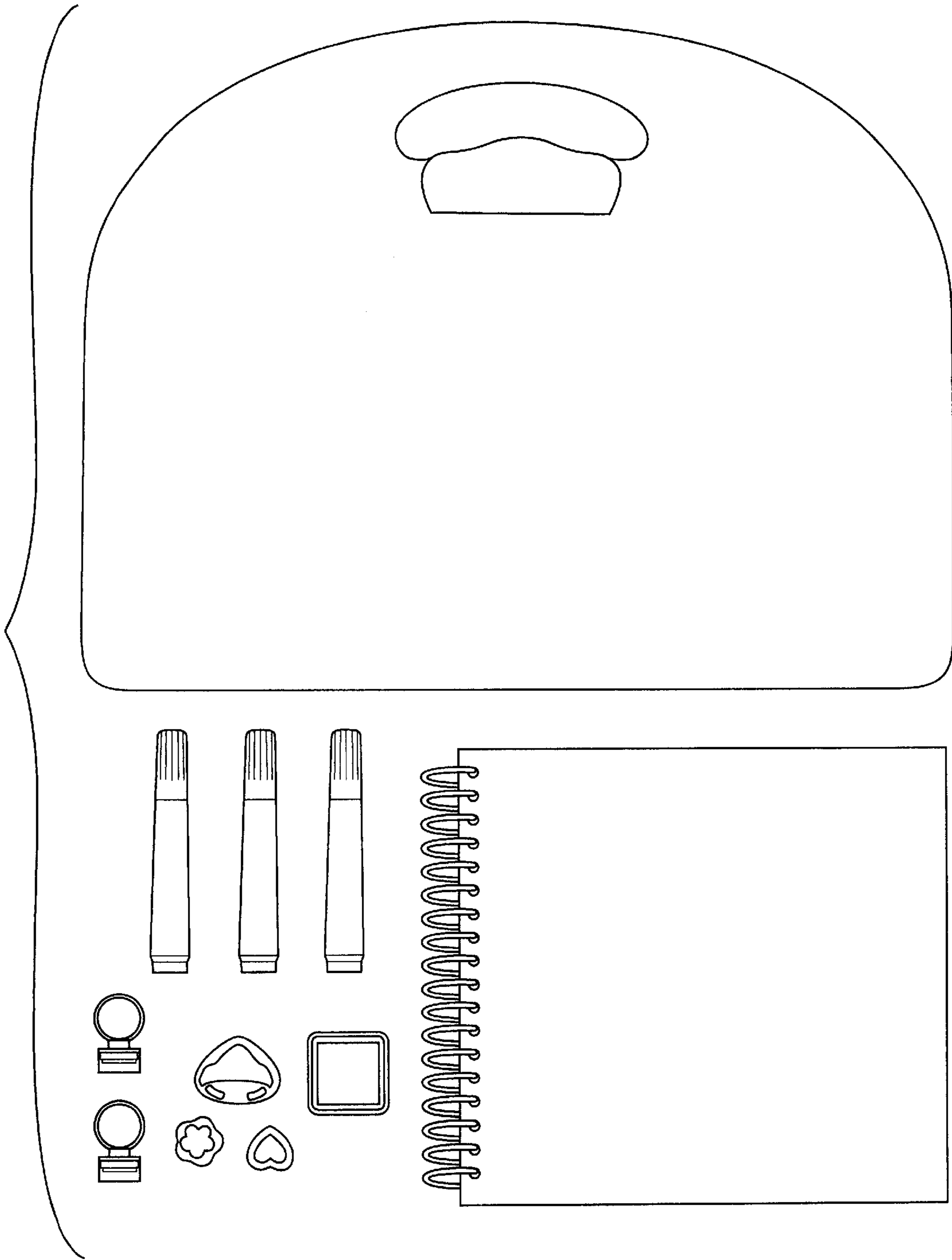


FIG. 1

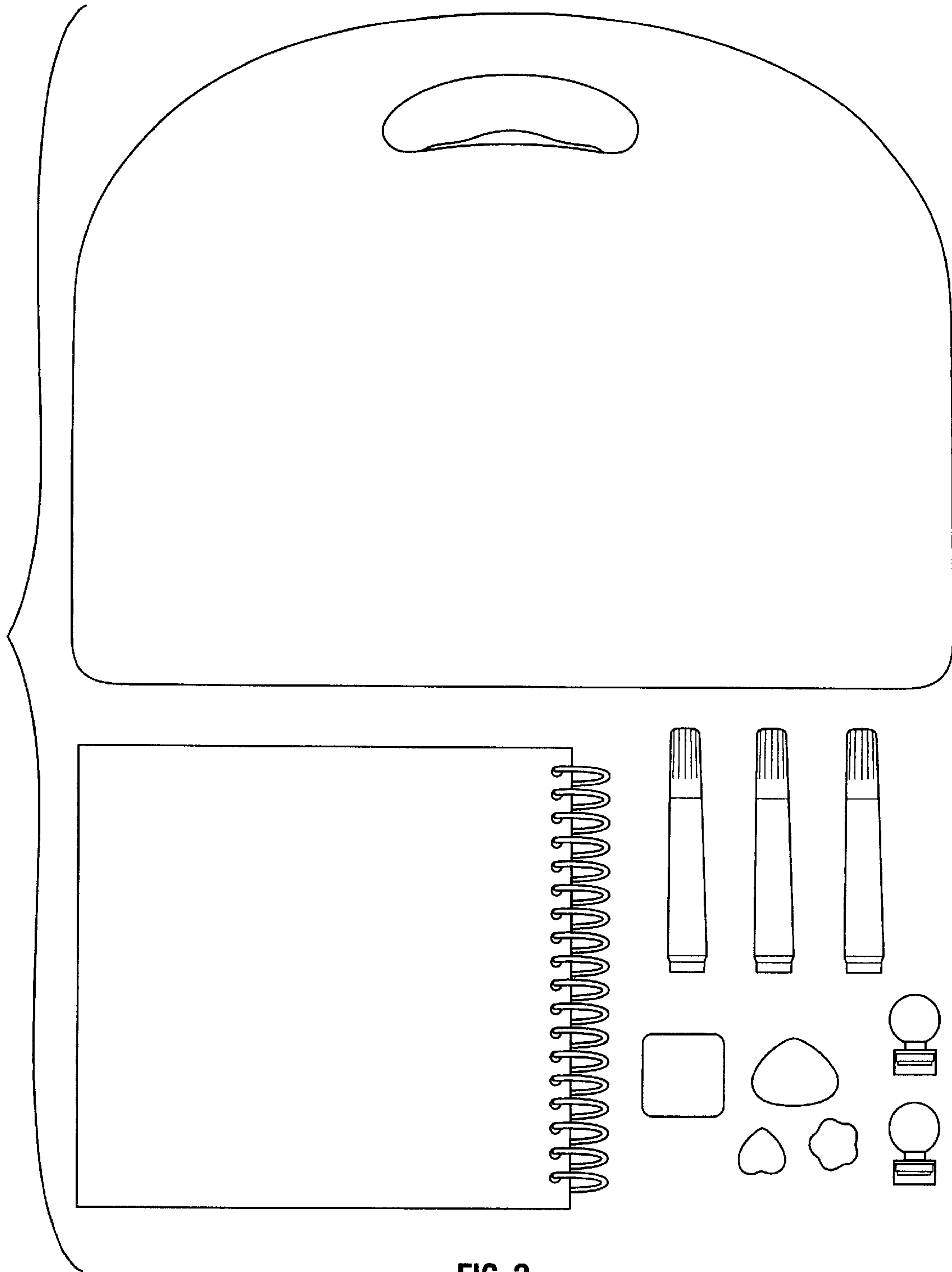


FIG. 2



FIG. 3

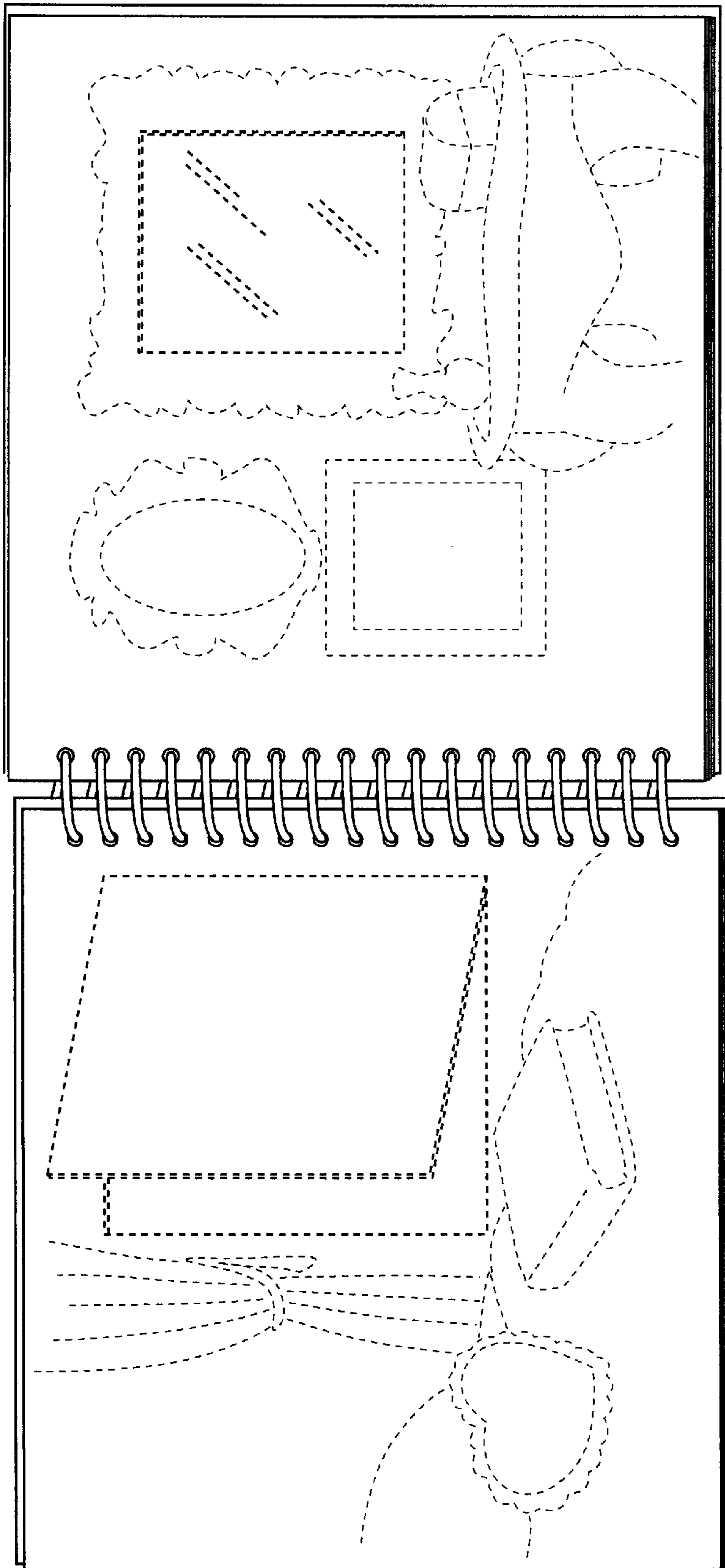


FIG. 4

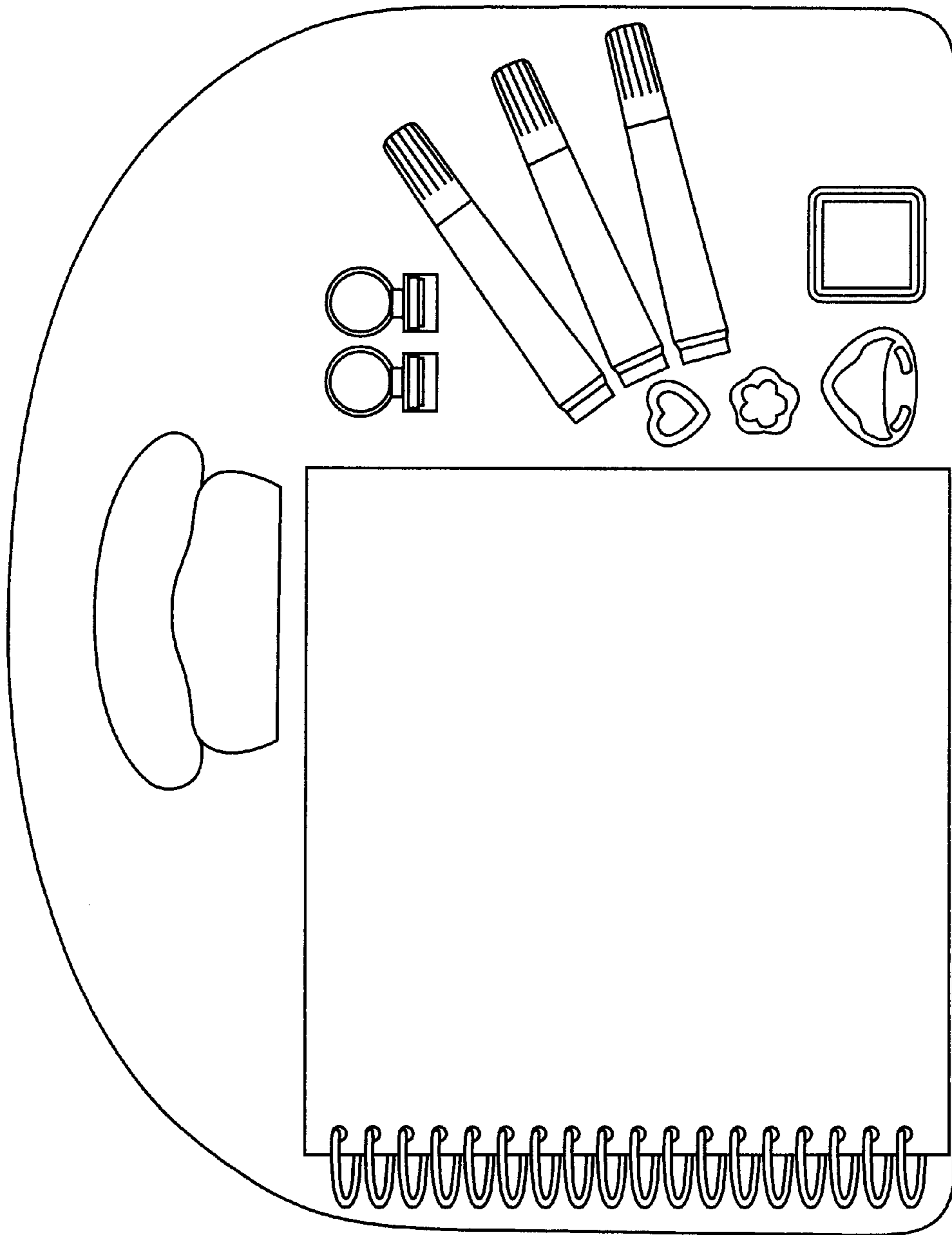


FIG. 5