



US00D537875S

(12) **United States Design Patent**  
**Yamada**

(10) **Patent No.:** **US D537,875 S**

(45) **Date of Patent:** **\*\* Mar. 6, 2007**

(54) **INK CARTRIDGE**

(75) Inventor: **Manabu Yamada**, Matsumoto (JP)

(73) Assignee: **Seiko Epson Corporation** (JP)

(\*\*) Term: **14 Years**

(21) Appl. No.: **29/255,117**

(22) Filed: **Mar. 3, 2006**

(30) **Foreign Application Priority Data**

Nov. 10, 2005 (JP) ..... 2005-033088

(51) **LOC (8) Cl.** ..... **18-02**

(52) **U.S. Cl.** ..... **D18/56; 347/86**

(58) **Field of Classification Search** ..... D18/12,  
D18/40, 43, 56; D14/481, 483; 347/29, 33,  
347/49-50, 86-87, 178, 214; 399/25, 110  
See application file for complete search history.

(56) **References Cited**

**U.S. PATENT DOCUMENTS**

D431,259 S \* 9/2000 Muranaka ..... D18/43  
6,350,027 B1 \* 2/2002 Iketani et al. .... 347/87  
D455,780 S \* 4/2002 Seino et al. .... D18/56  
D460,106 S \* 7/2002 Yamada et al. .... D18/56

D460,480 S \* 7/2002 Yamada et al. .... D18/56  
D466,151 S \* 11/2002 Shinada et al. .... D18/56  
D477,841 S \* 7/2003 Shimizu et al. .... D18/56  
2004/0239736 A1 \* 12/2004 Miyazawa et al. .... 347/86  
2005/0093943 A1 \* 5/2005 O'Hara et al. .... 347/86

\* cited by examiner

*Primary Examiner*—Cathy Anne MacCormac

(74) *Attorney, Agent, or Firm*—Harness, Dickey & Pierce,  
P.L.C.

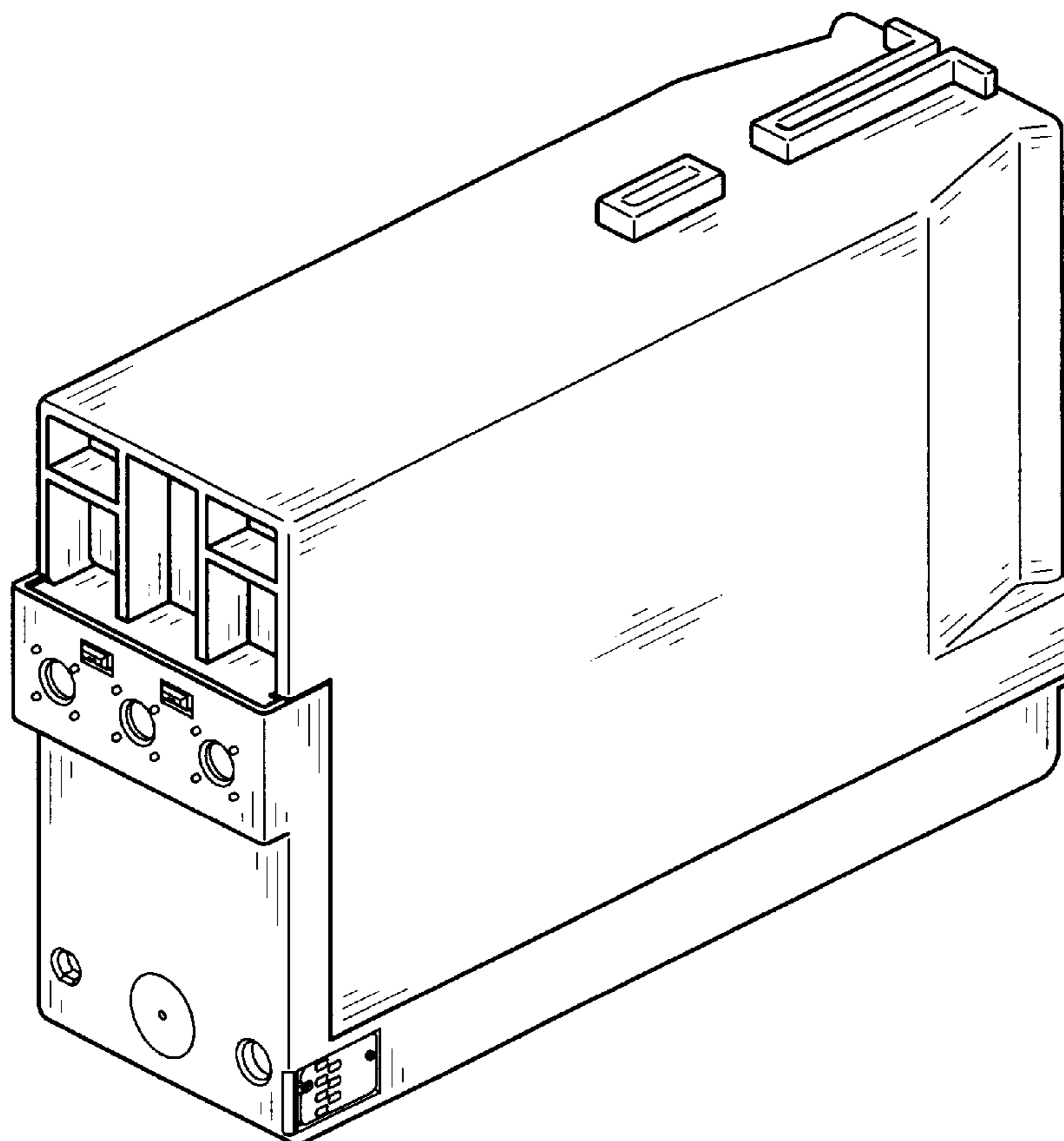
(57) **CLAIM**

The ornamental design for an ink cartridge, as shown and described.

**DESCRIPTION**

FIG. 1 is a perspective view of an ink cartridge, as viewed from the top front and left side, embodying my new design; FIG. 2 is a front view thereof; FIG. 3 is a rear view thereof; FIG. 4 is a left side view thereof; FIG. 5 is a right side view thereof; FIG. 6 is a top view thereof; FIG. 7 is a bottom view thereof; and, FIG. 8 is a perspective view thereof, as viewed from the bottom rear and right side.

**1 Claim, 5 Drawing Sheets**



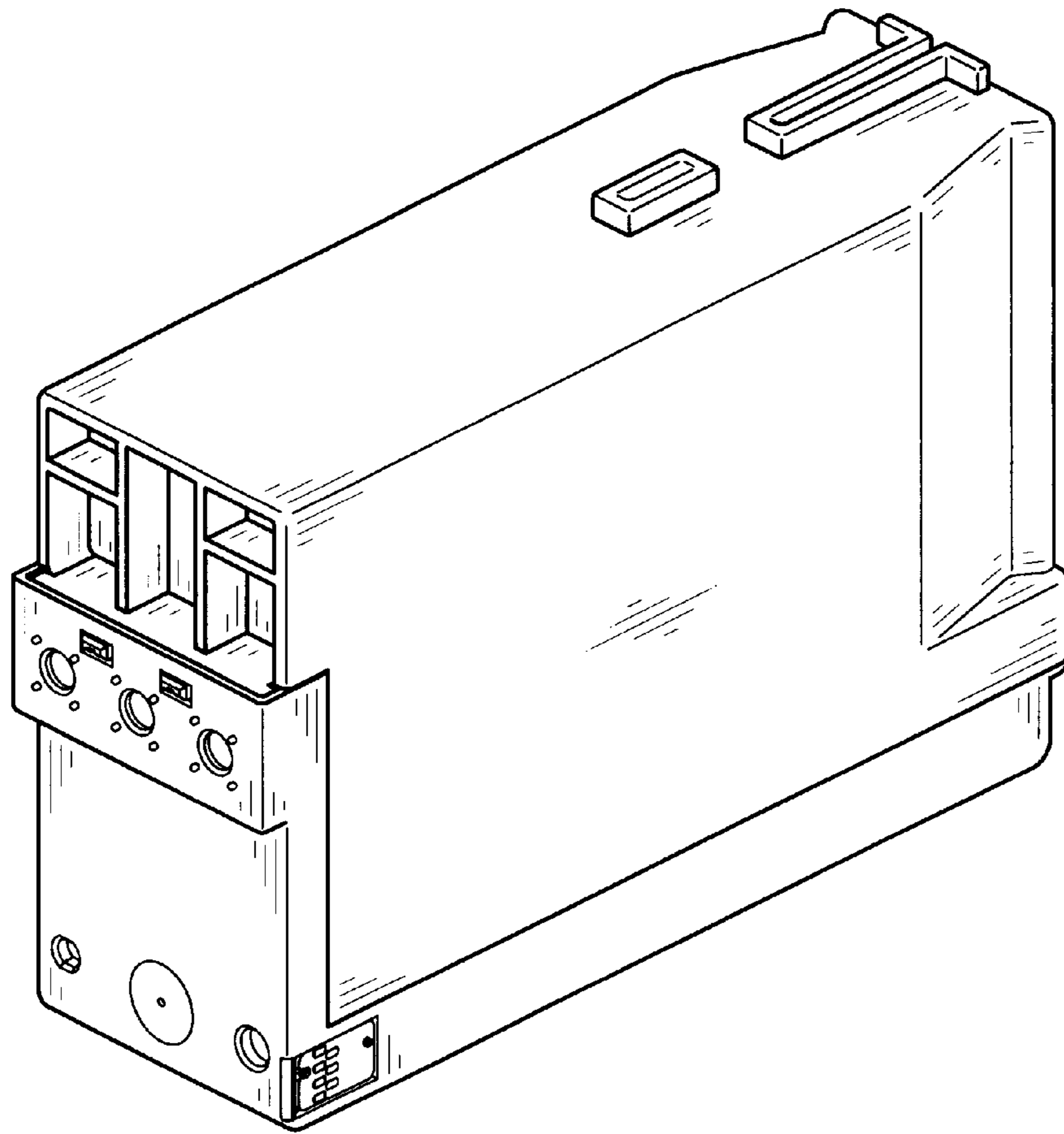


FIG. 1

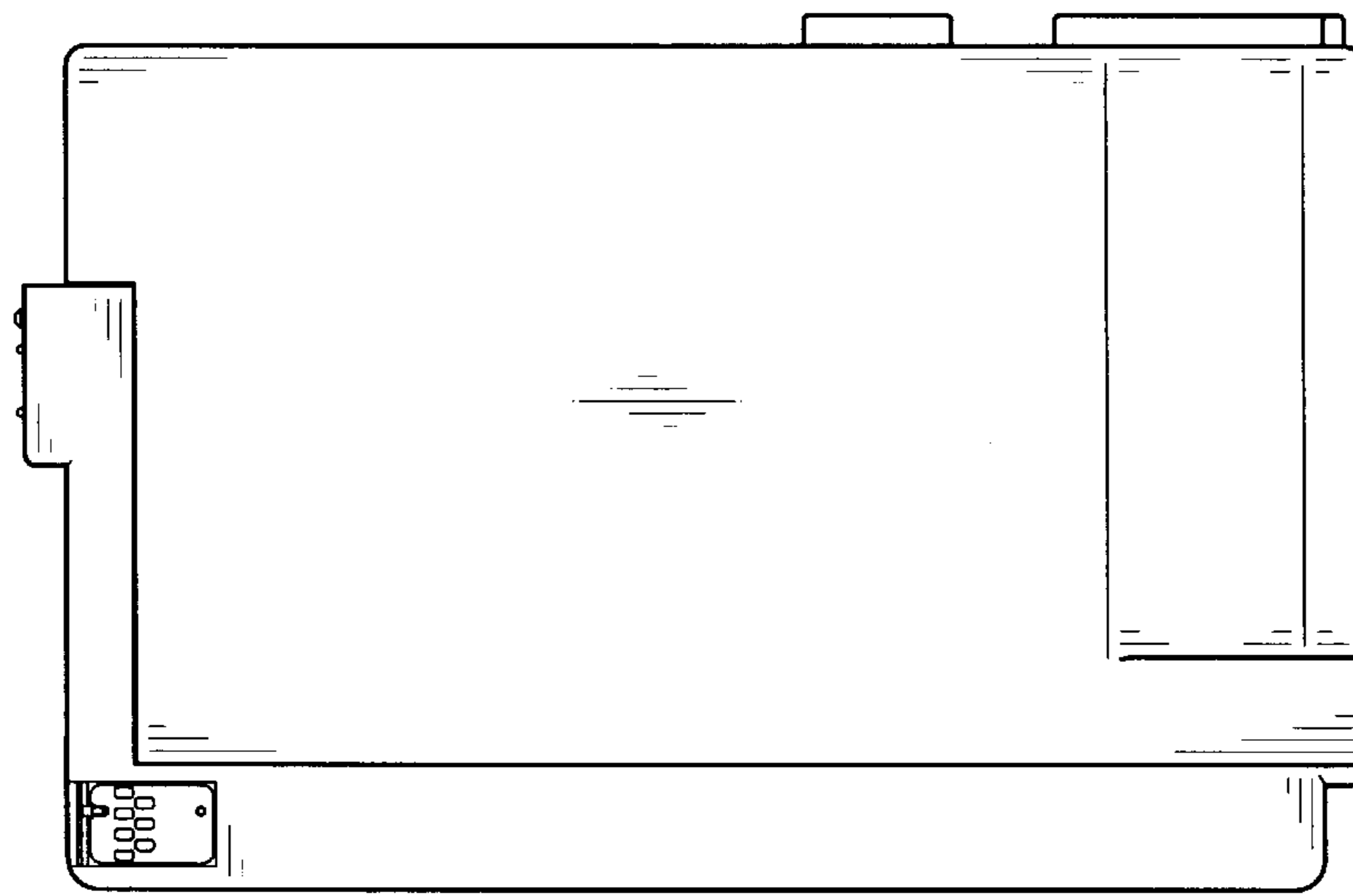


FIG. 2

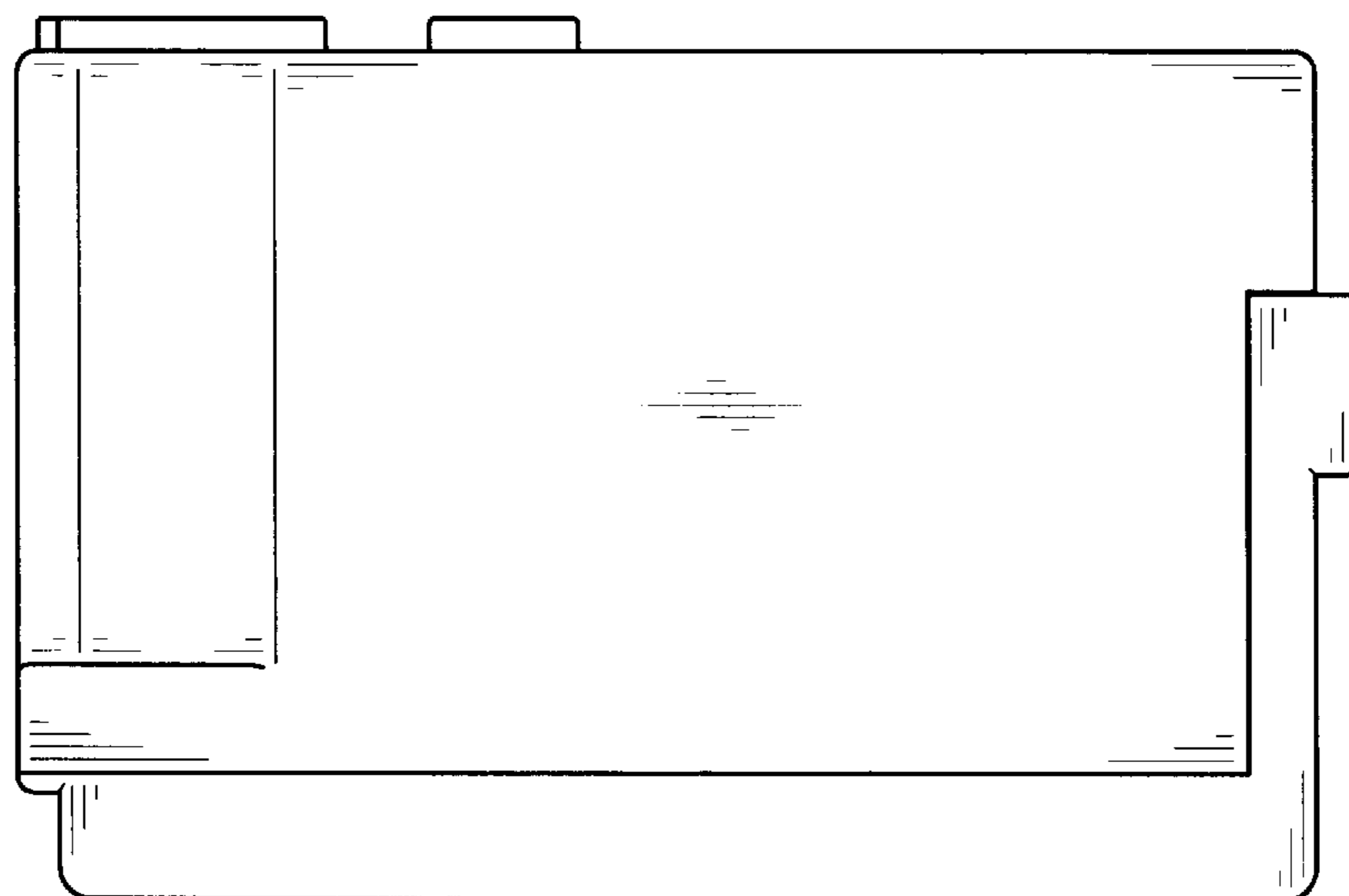


FIG. 3

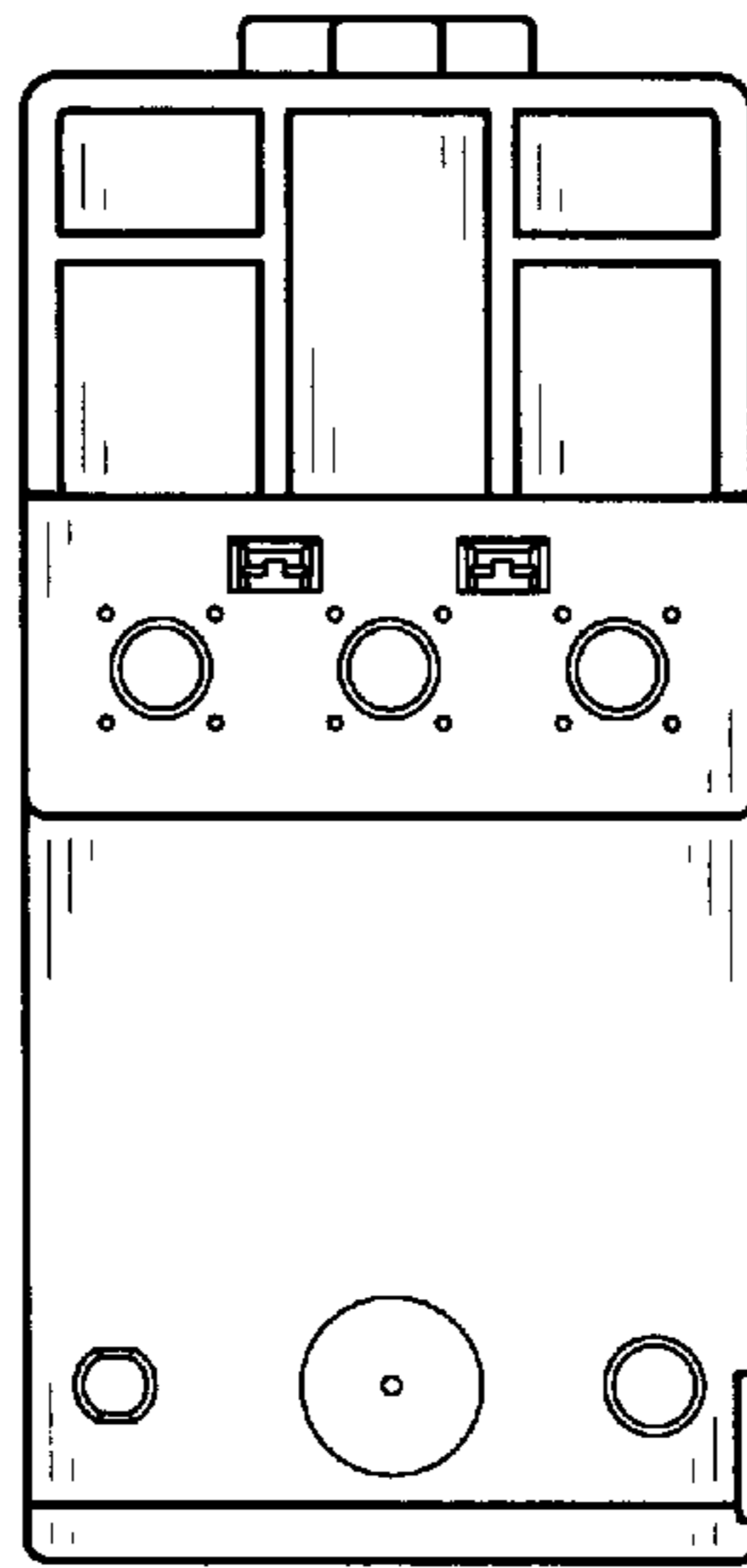


FIG. 4

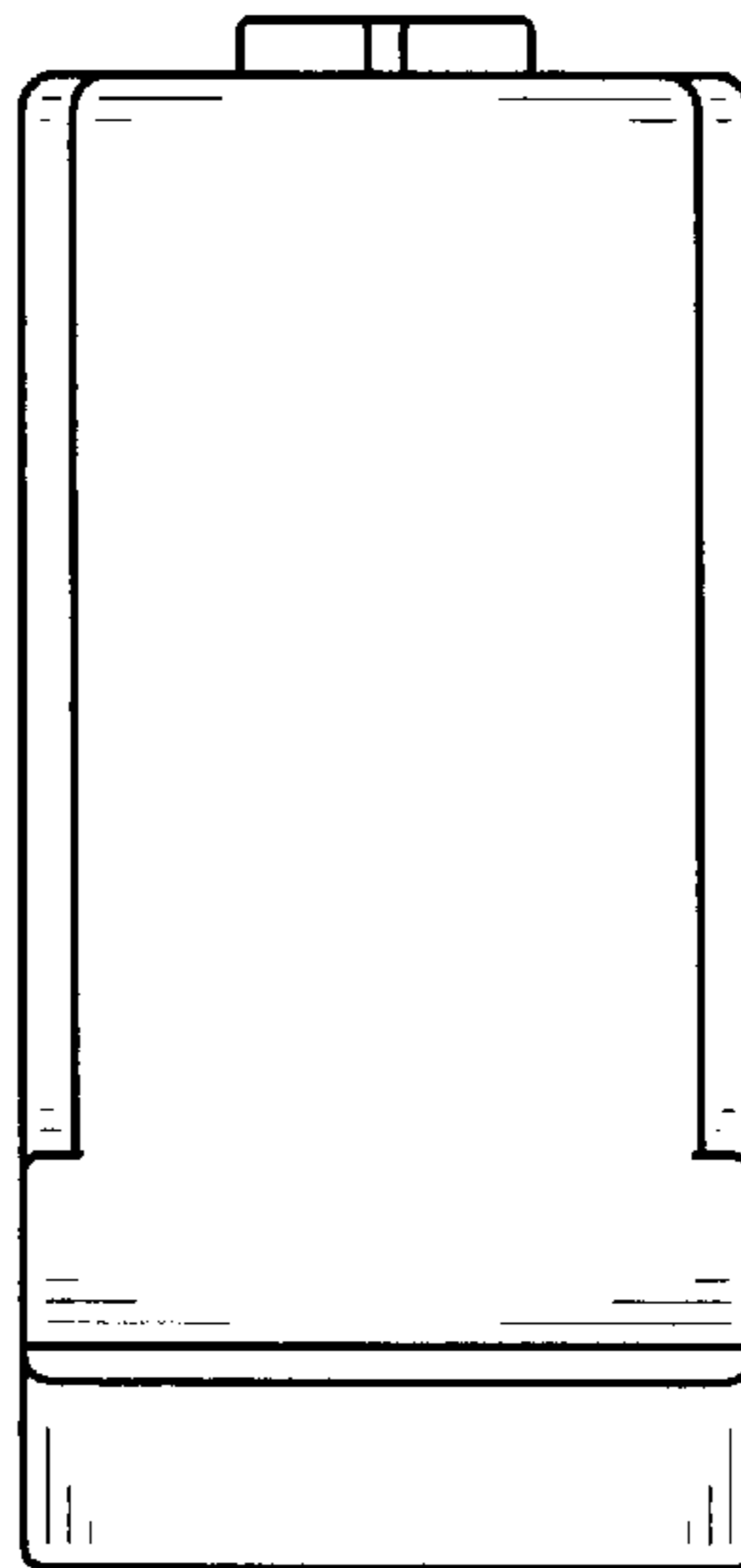


FIG. 5

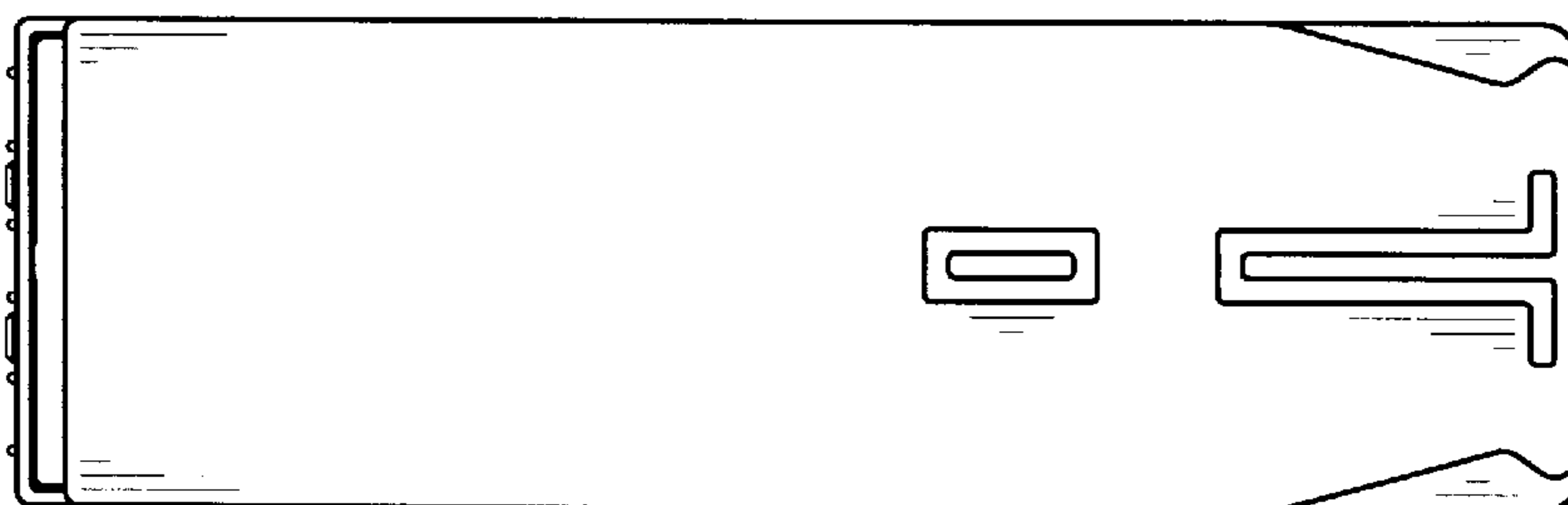


FIG. 6

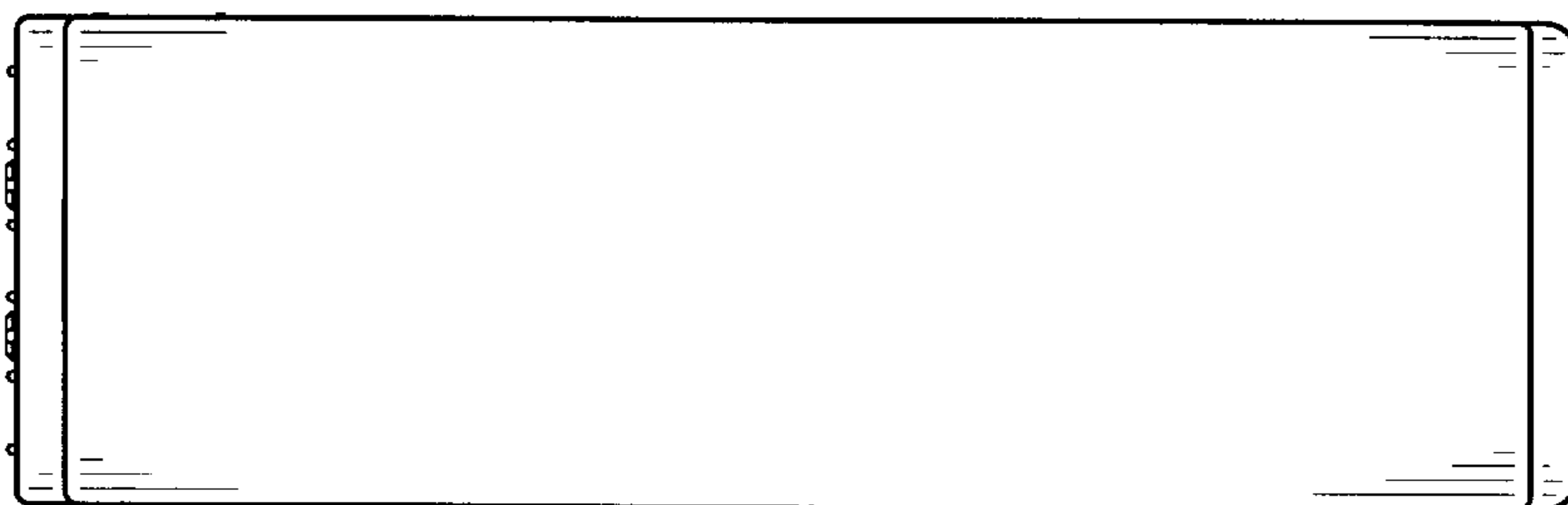


FIG. 7

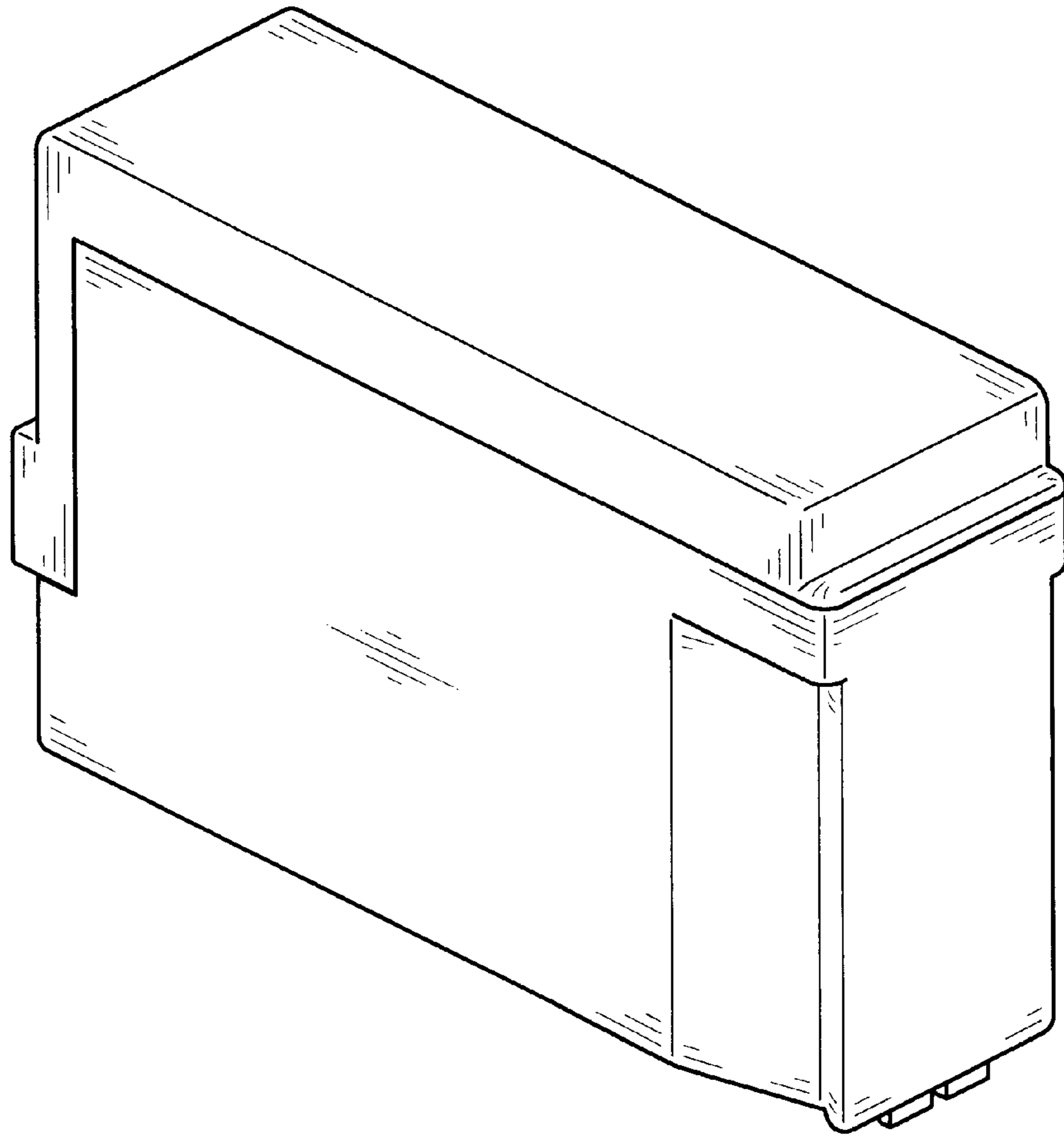


FIG. 8