



US00D537872S

(12) **United States Design Patent** (10) **Patent No.:** **US D537,872 S**  
**Jones** (45) **Date of Patent:** **\*\* Mar. 6, 2007**

(54) **INK STICK FOR PHASE CHANGE INK JET PRINTER**

(75) Inventor: **Brent R. Jones**, Tualatin, OR (US)

(73) Assignee: **Xerox Corporation**, Stamford, CT (US)

(\*\*) Term: **14 Years**

(21) Appl. No.: **29/216,648**

(22) Filed: **Nov. 5, 2004**

(51) **LOC (8) Cl.** ..... **18-02**

(52) **U.S. Cl.** ..... **D18/56**

(58) **Field of Classification Search** ..... D18/56;

D21/499, 500; 106/31.29, 31.61; 273/156,

273/160; 347/88, 99; 400/207, 208; 434/92,

434/96; 446/122, 124, 125

See application file for complete search history.

(56) **References Cited**

**U.S. PATENT DOCUMENTS**

2,425,729	A	*	8/1947	De Sherbinin	.....	446/125
2,877,506	A	*	3/1959	Almoslino	.....	446/122
D235,570	S	*	6/1975	Barton	.....	D21/499
5,510,821	A	*	4/1996	Jones et al.	.....	347/88
D377,532	S	*	1/1997	Lin	.....	D21/500
D383,153	S	*	9/1997	Jones et al.	.....	D18/56
D436,124	S	*	1/2001	Mattern et al.	.....	D18/56

6,755,517	B2	*	6/2004	Jones et al.	.....	347/88
6,761,443	B2		7/2004	Jones		
D500,784	S	*	1/2005	Jones et al.	.....	D18/56
6,893,121	B2	*	5/2005	Jones	.....	347/88
2003/0202065	A1	*	10/2003	Jones	.....	347/88
2003/0202070	A1	*	10/2003	Jones	.....	347/88
2004/0160498	A1	*	8/2004	Jones	.....	347/88
2004/0183875	A1	*	9/2004	Jones et al.	.....	347/88

\* cited by examiner

*Primary Examiner*—Cathy Anne MacCormac

(74) *Attorney, Agent, or Firm*—Tallam I. Nguti

(57) **CLAIM**

The ornamental design for an ink stick for phase change ink jet printer, as shown and described.

**DESCRIPTION**

FIG. 1 is a perspective view of an ink stick for phase change ink jet printer illustrating the new design;

FIG. 2 is a front elevational view thereof;

FIG. 3 is a right side elevational view thereof;

FIG. 4 is a rear elevational view thereof;

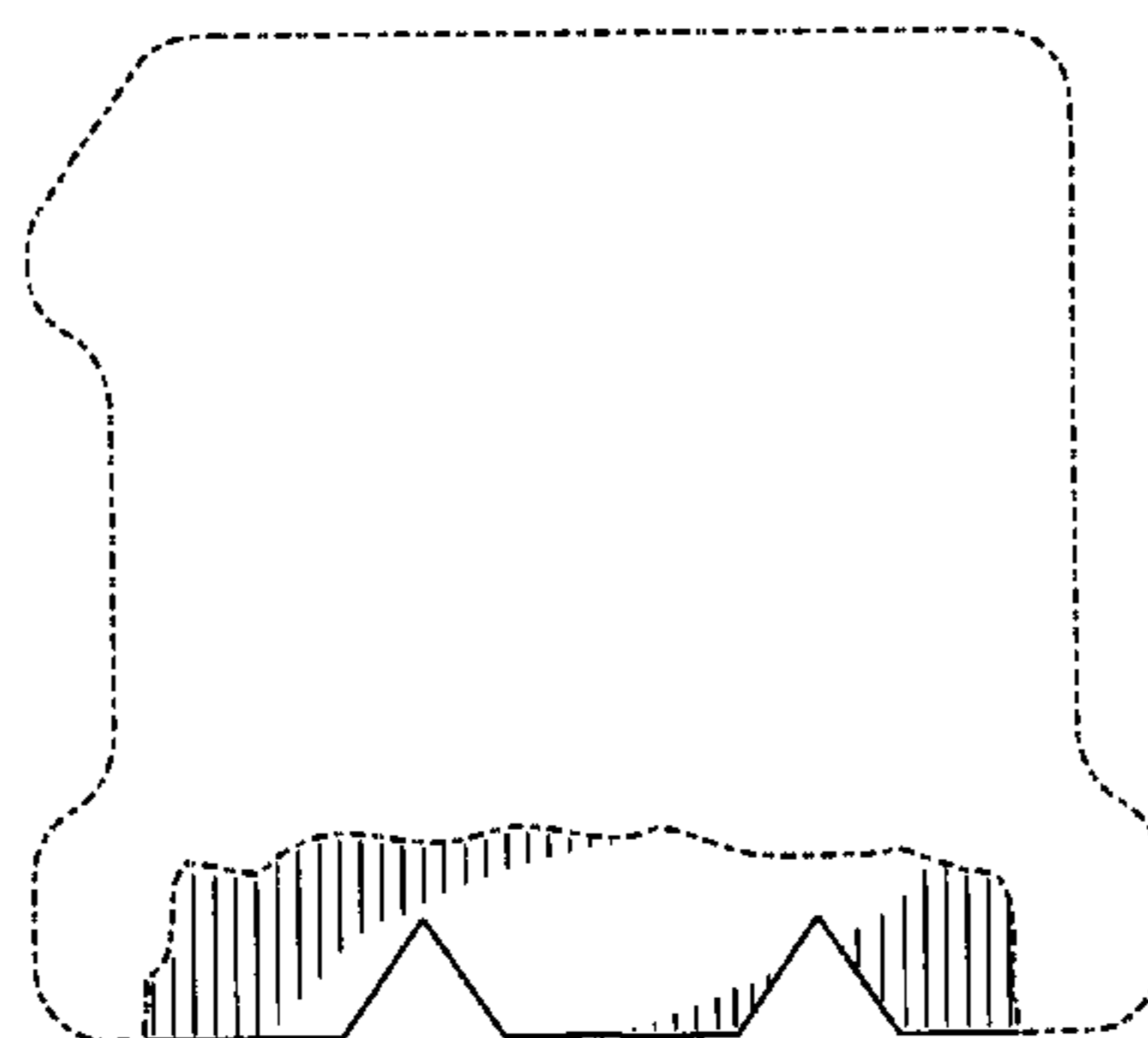
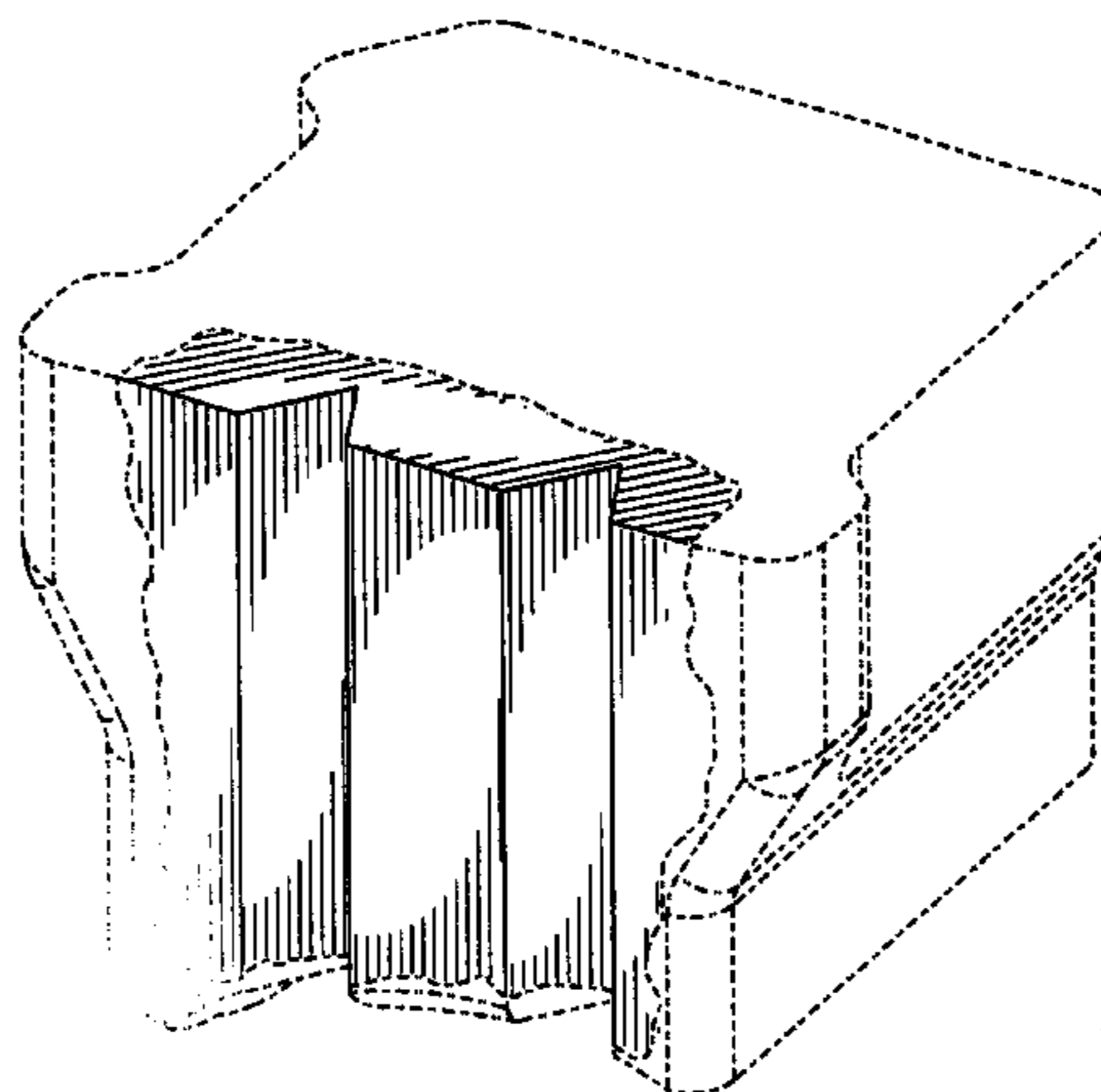
FIG. 5 is a left side elevational view thereof;

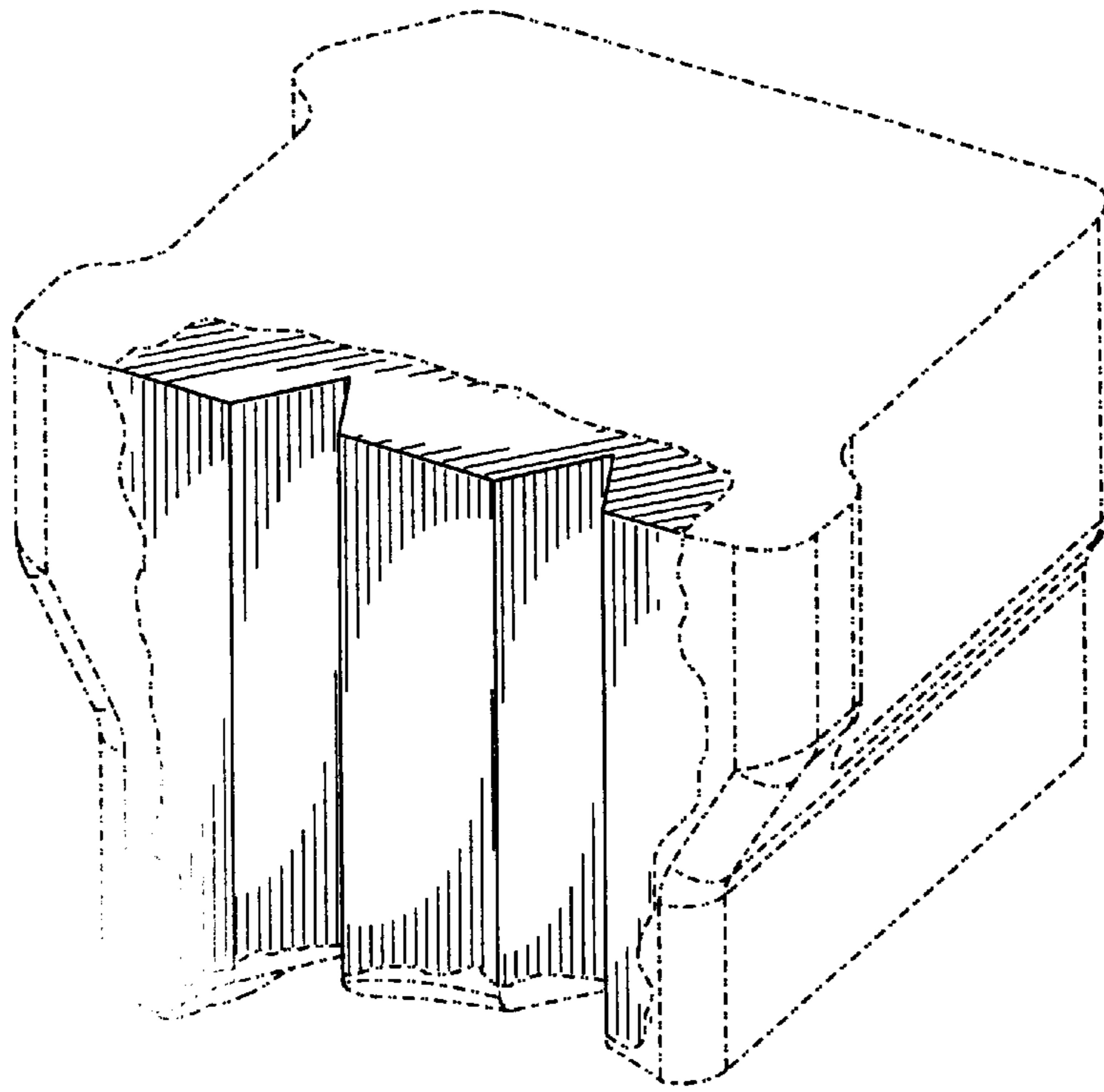
FIG. 6 is a top plan view thereof; and,

FIG. 7 is a bottom plan view thereof.

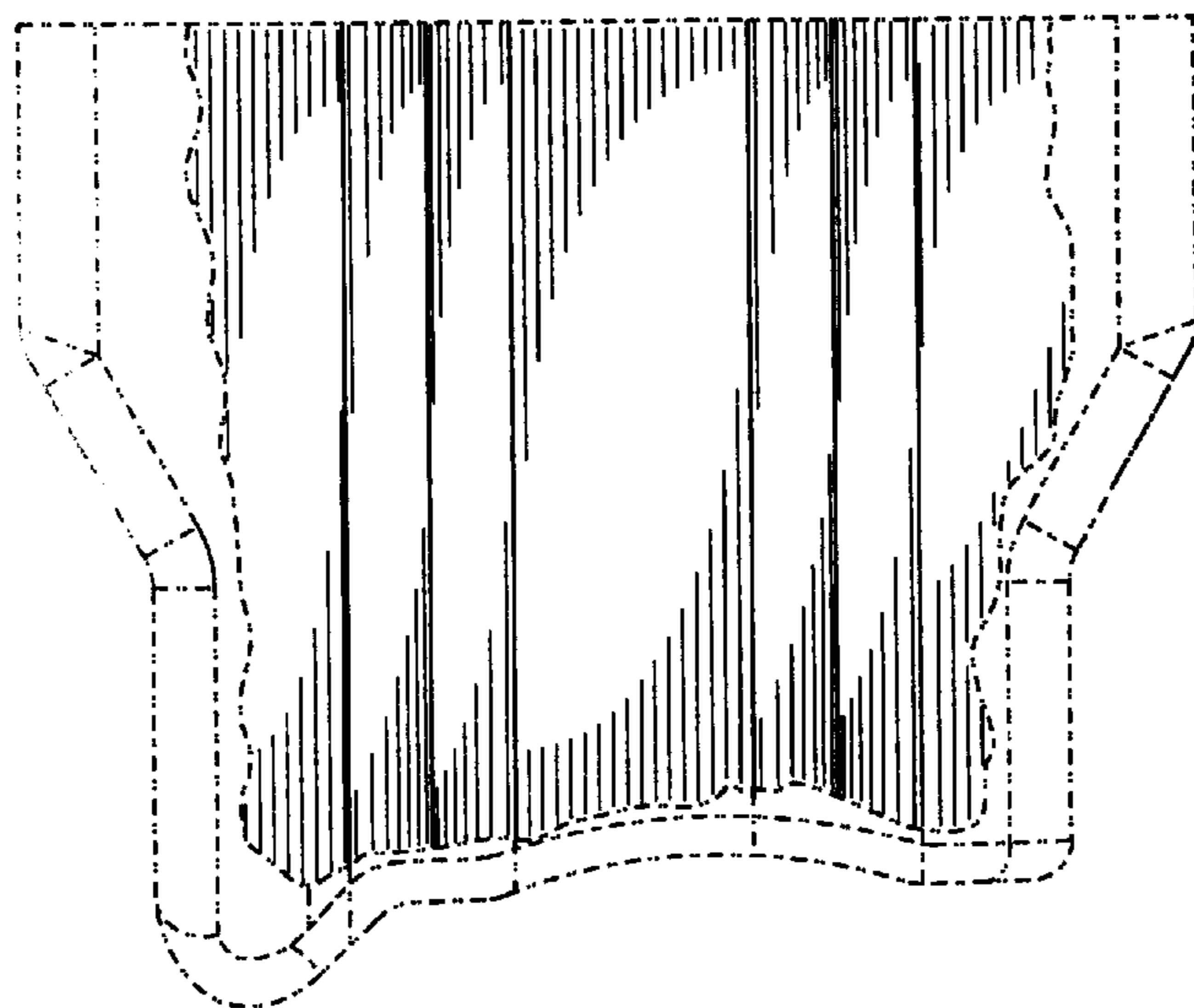
The broken lines are for illustrative purposes only and form no part of the claimed design.

**1 Claim, 4 Drawing Sheets**

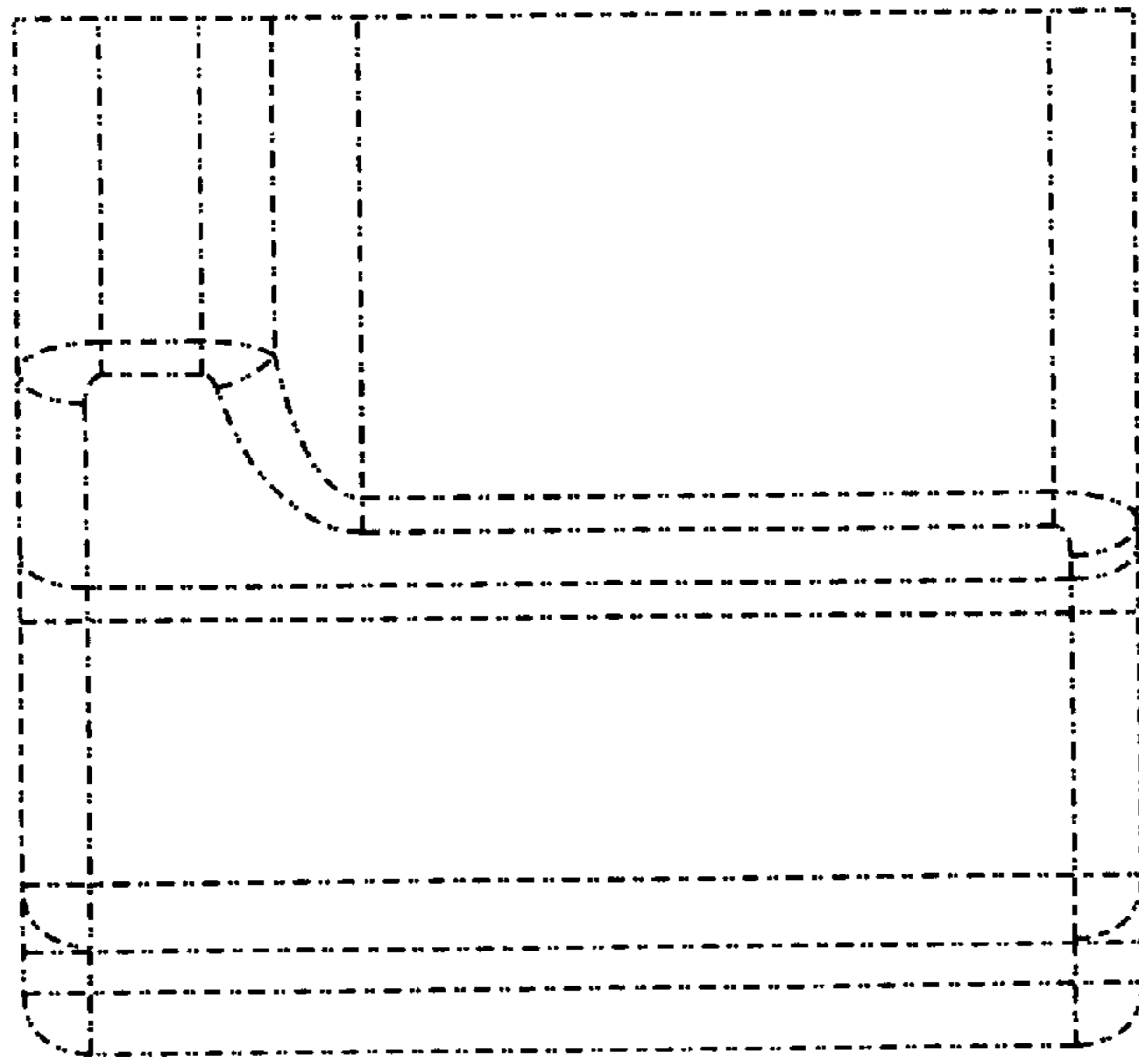




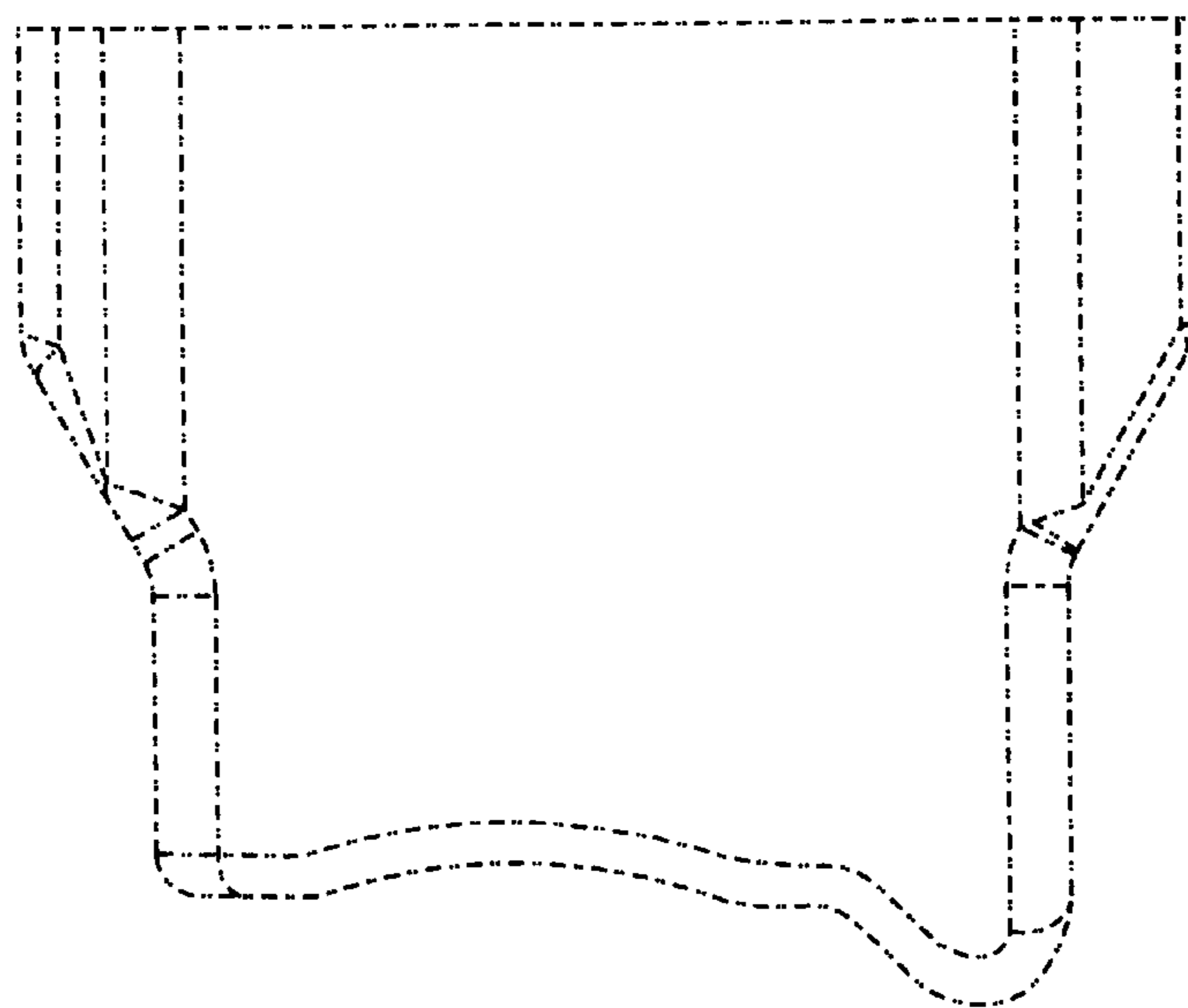
**FIG. 1**



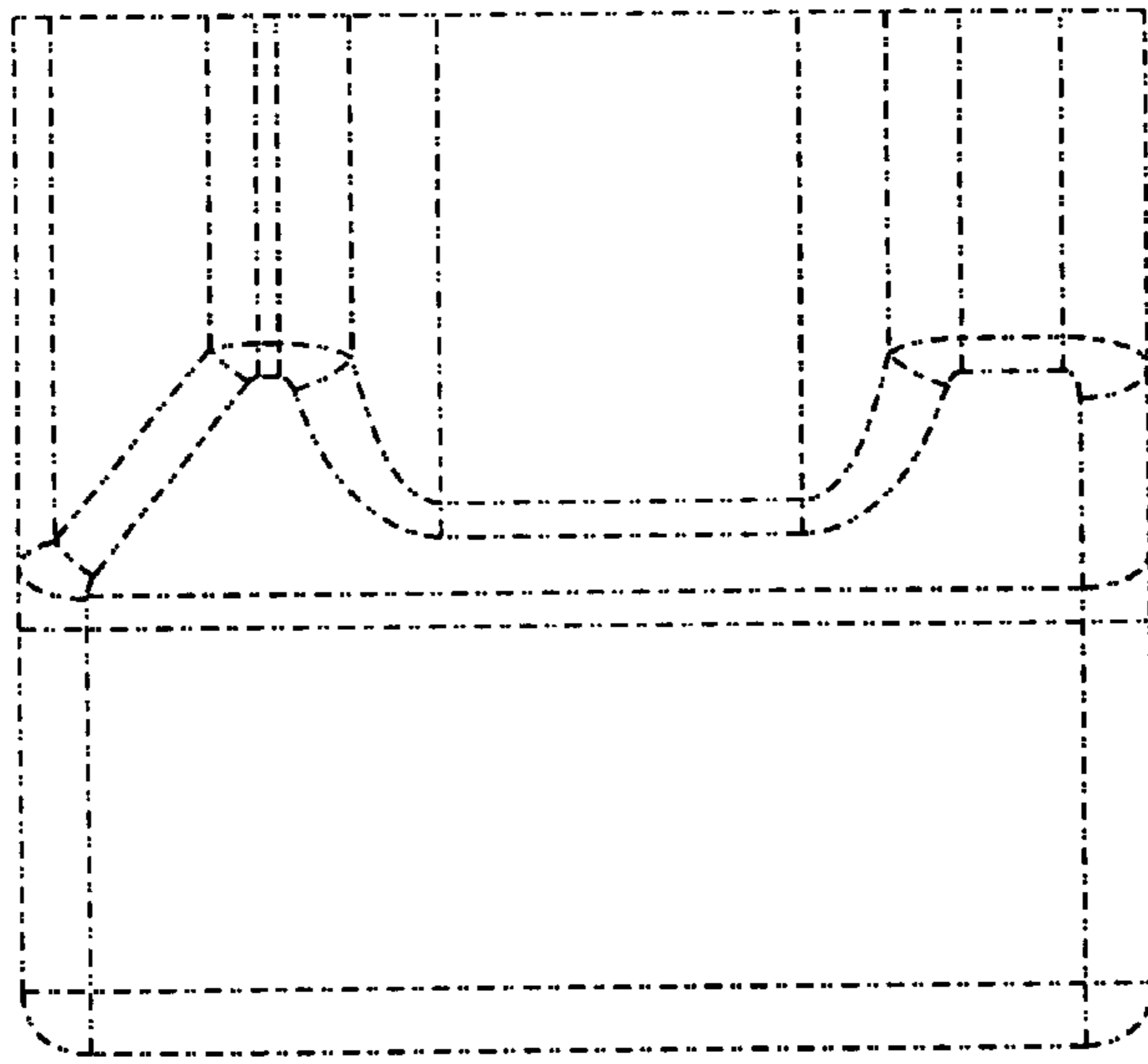
**FIG. 2**



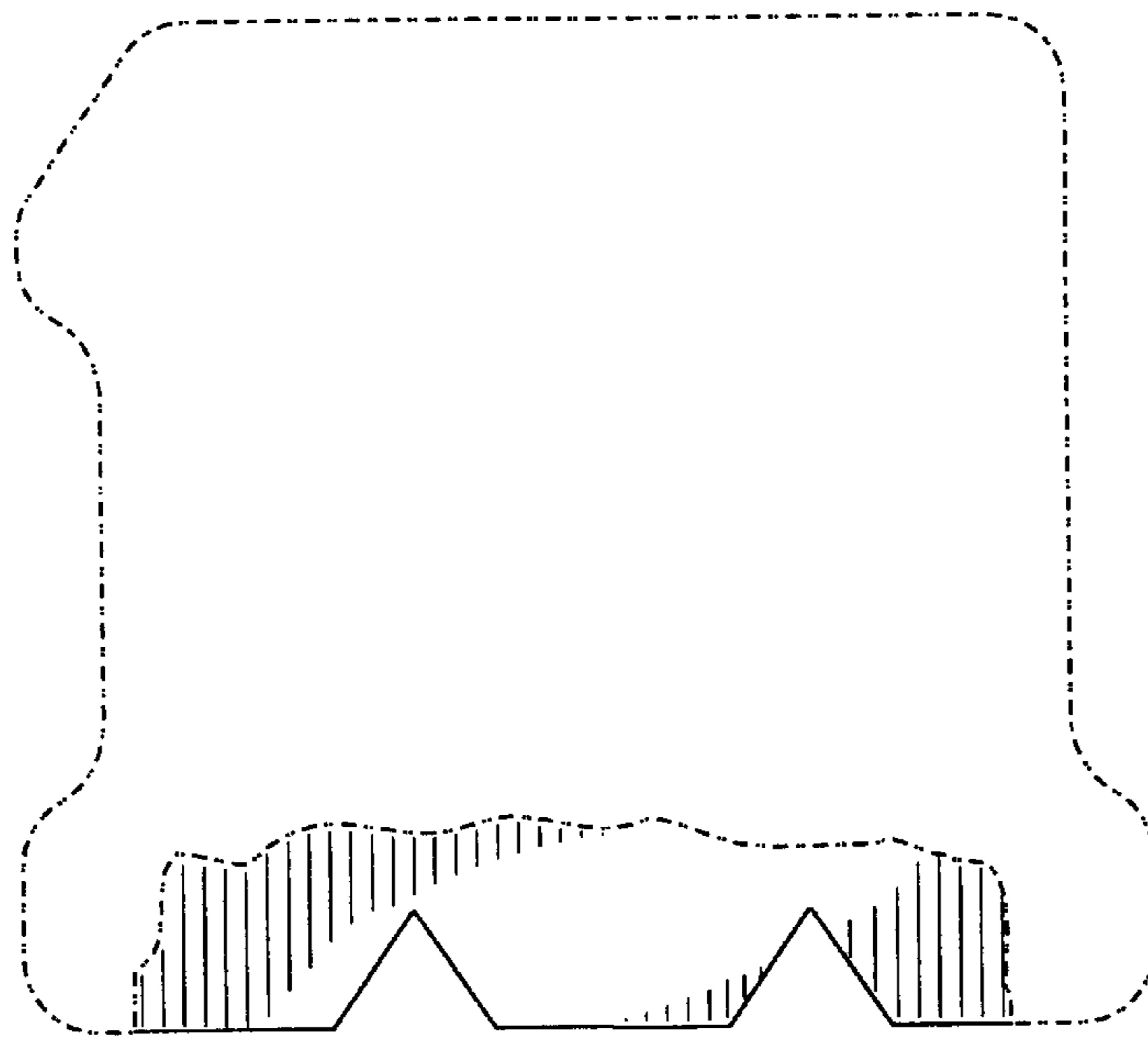
**FIG. 3**



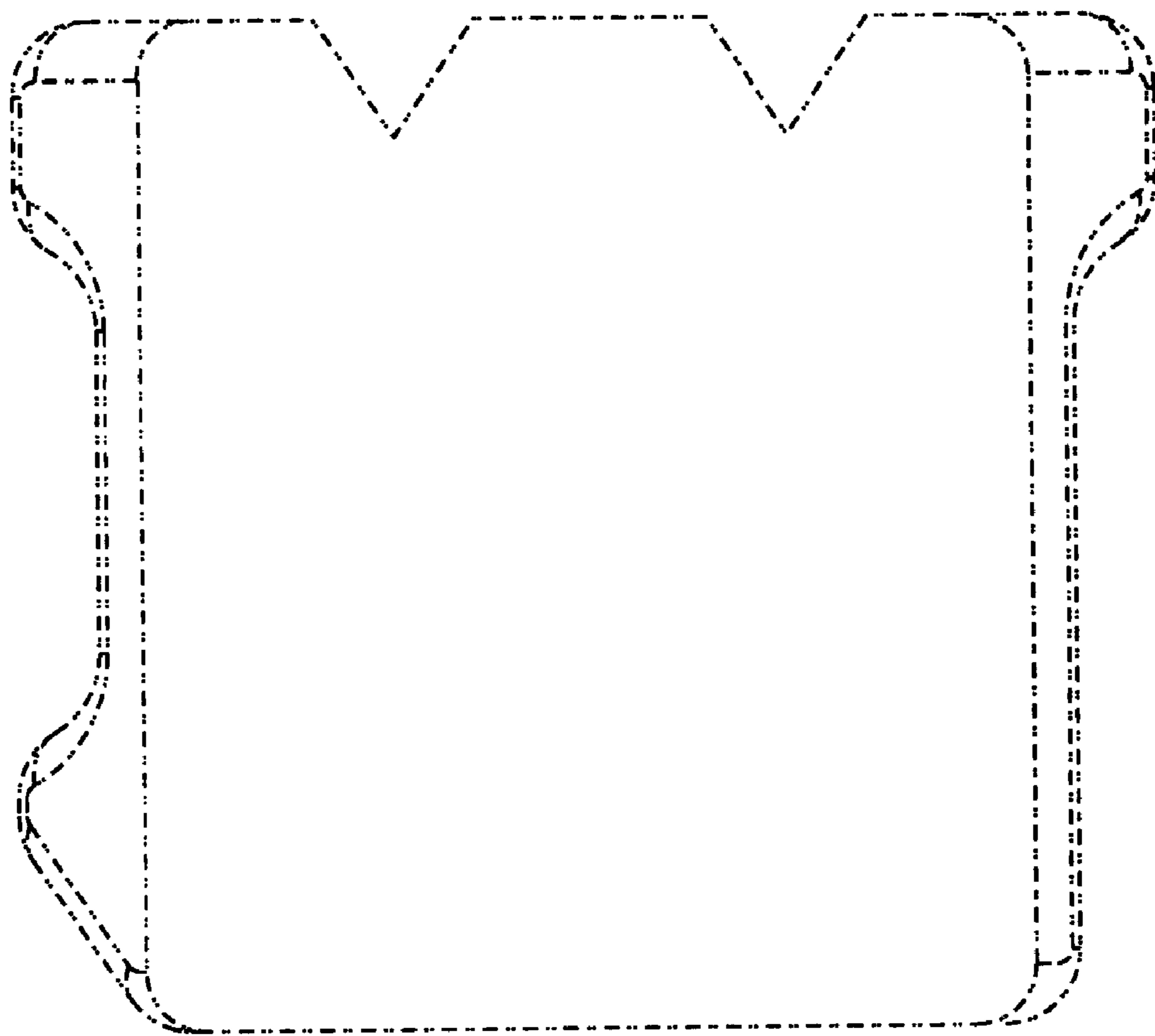
**FIG. 4**



**FIG. 5**



**FIG. 6**



**FIG. 7**