



US00D537869S

(12) **United States Design Patent**
Gant et al.

(10) **Patent No.:** **US D537,869 S**

(45) **Date of Patent:** **** Mar. 6, 2007**

(54) **PRINTER**

(75) Inventors: **Scott R. Gant**, San Diego, CA (US);
Sam A. Stodder, Encinitas, CA (US)

(73) Assignee: **Hewlett-Packard Development Company, L.P.**, Houston, TX (US)

(**) Term: **14 Years**

(21) Appl. No.: **29/215,358**

(22) Filed: **Oct. 18, 2004**

(51) **LOC (8) Cl.** **14-02**

(52) **U.S. Cl.** **D18/54**

(58) **Field of Classification Search** D18/19,
D18/36-41, 50, 53, 54, 54.1, 55; D14/420-425,
D14/462-470; 400/613, 613.1-613.4, 690.1-690.4,
400/691-694

See application file for complete search history.

(56) **References Cited**

U.S. PATENT DOCUMENTS

D331,069 S	*	11/1992	Hanasaki et al.	D18/55
D378,099 S	*	2/1997	Yoshida et al.	D18/36
D398,632 S	*	9/1998	Dodge et al.	D18/55
D421,425 S	*	3/2000	Yamano et al.	D14/425
D434,434 S	*	11/2000	Short et al.	D14/420
D440,975 S	*	4/2001	Lin et al.	D14/425

D448,403 S	*	9/2001	Omuro et al.	D14/425
D466,148 S	*	11/2002	Yang	D18/36
D479,556 S	*	9/2003	Hattori et al.	D14/464
D481,754 S	*	11/2003	Hattori et al.	D18/50
D483,802 S	*	12/2003	Hattori	D18/50
D491,219 S	*	6/2004	Shimamura	D18/50
D491,980 S	*	6/2004	Miyauchi et al.	D18/50

* cited by examiner

Primary Examiner—Louis S. Zarfaz

Assistant Examiner—Anhdao Doan

(57) **CLAIM**

We claim the ornamental design for a printer, as shown and described.

DESCRIPTION

FIG. 1 is a top perspective view of a printer showing our new design;

FIG. 2 is a front elevational view thereof;

FIG. 3 is a left-side elevational view thereof, the right-side elevational view being a mirror image of FIG. 3;

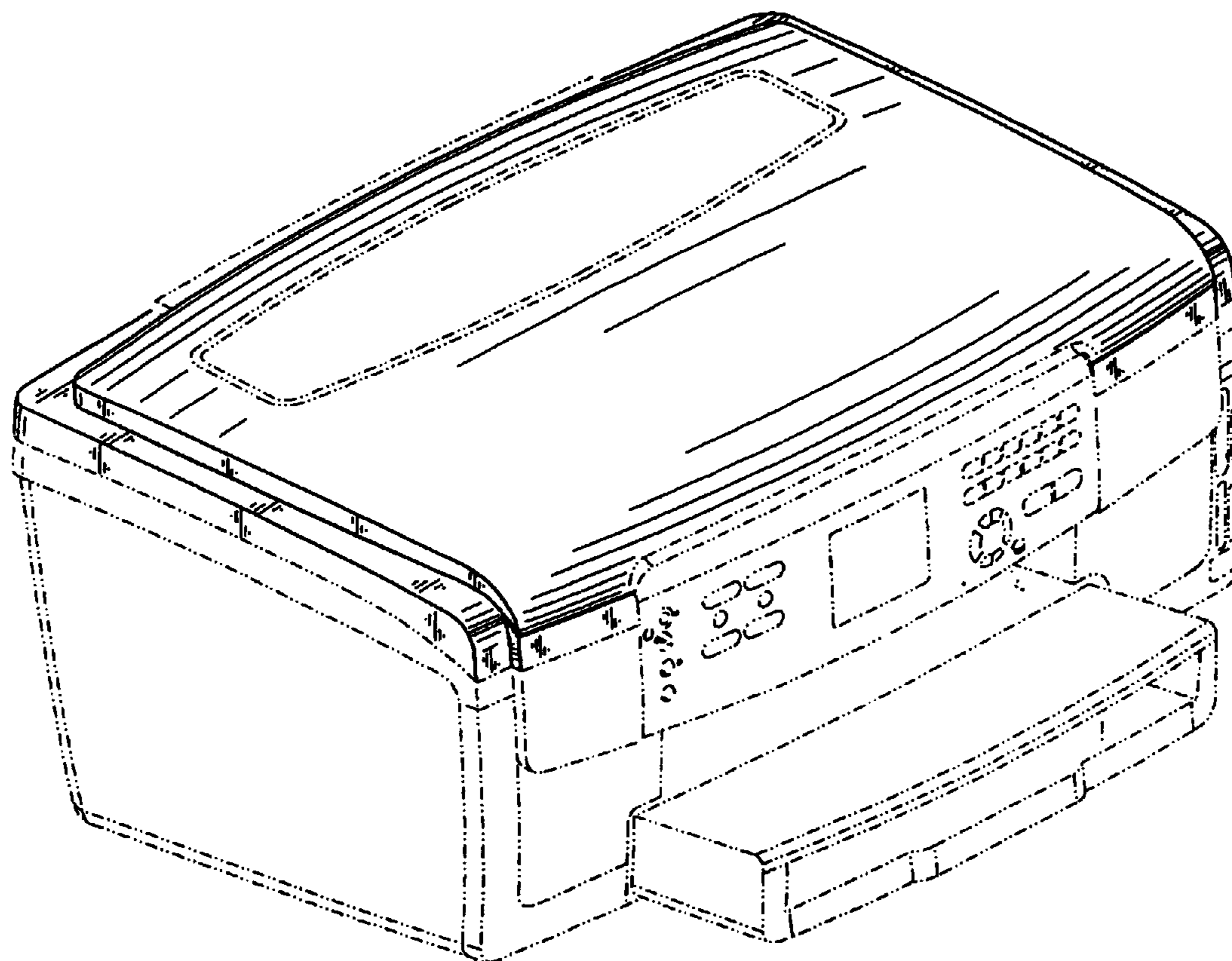
FIG. 4 is a top plan view thereof;

FIG. 5 is a rear elevational view thereof; and,

FIG. 6 is a top perspective view of the printer of FIG. 1 illustrating a scanning lid of the printer in a raised position.

The broken lines in the drawings are for illustrative purposes only and form no part of the claimed design.

1 Claim, 6 Drawing Sheets



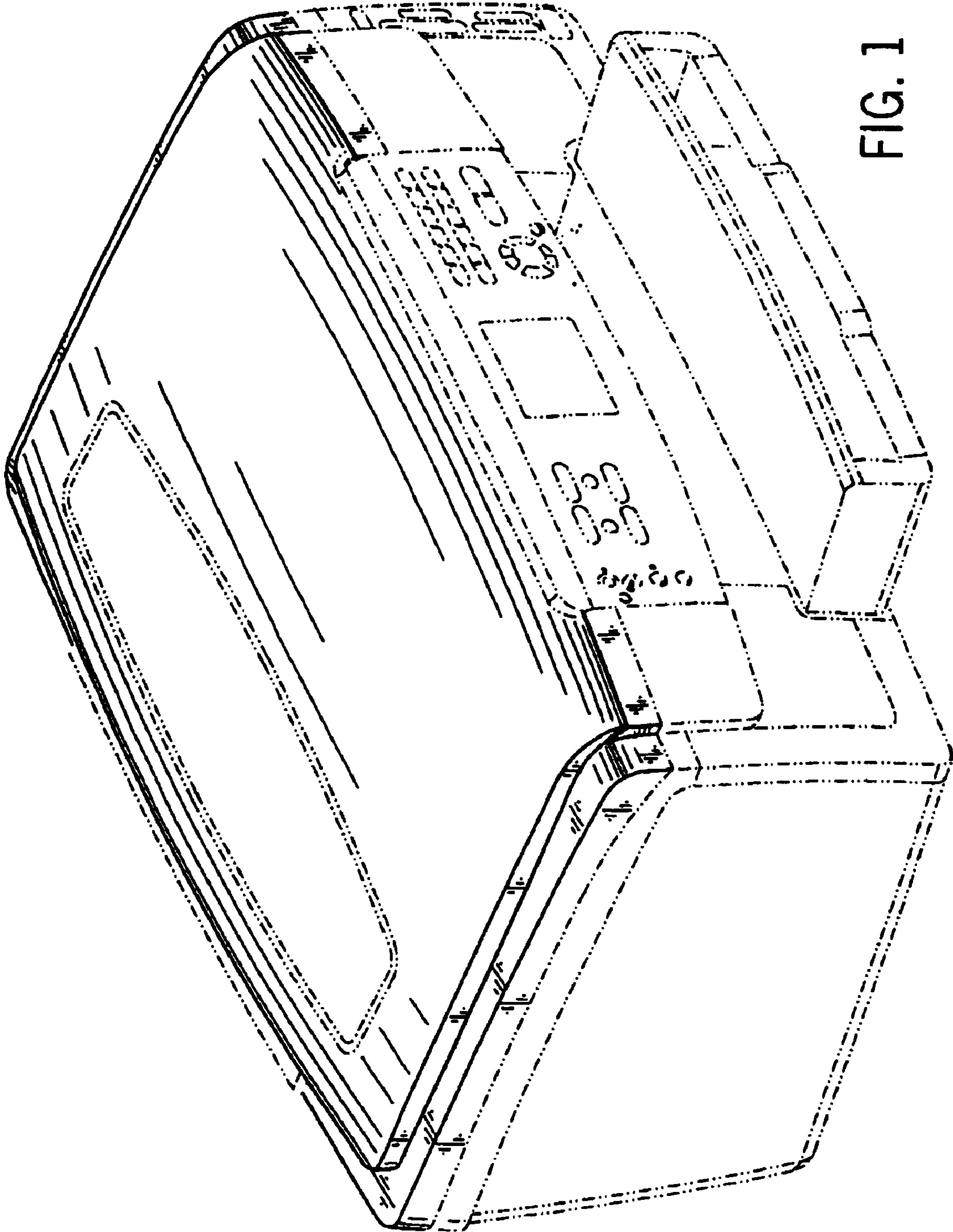


FIG. 1

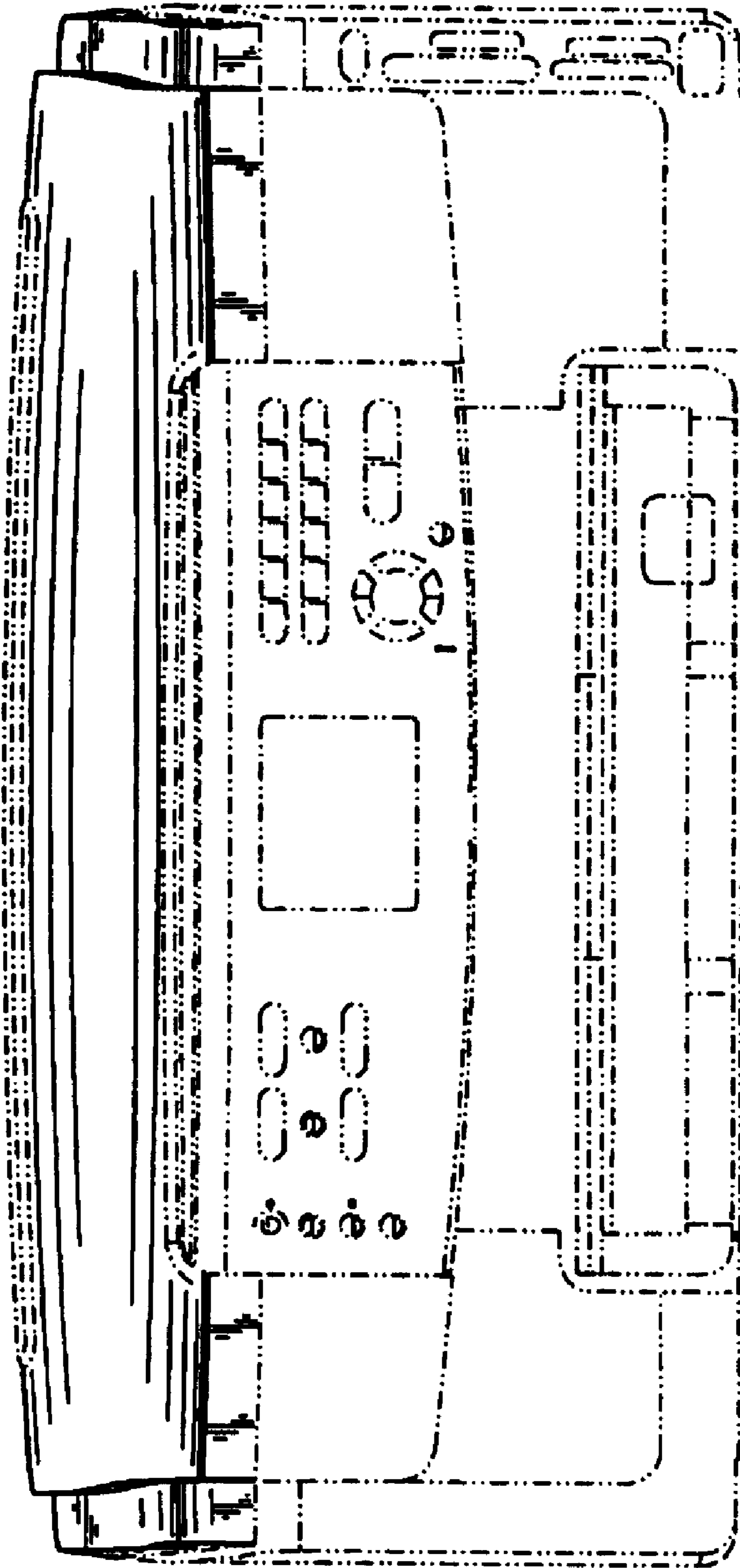


FIG. 2

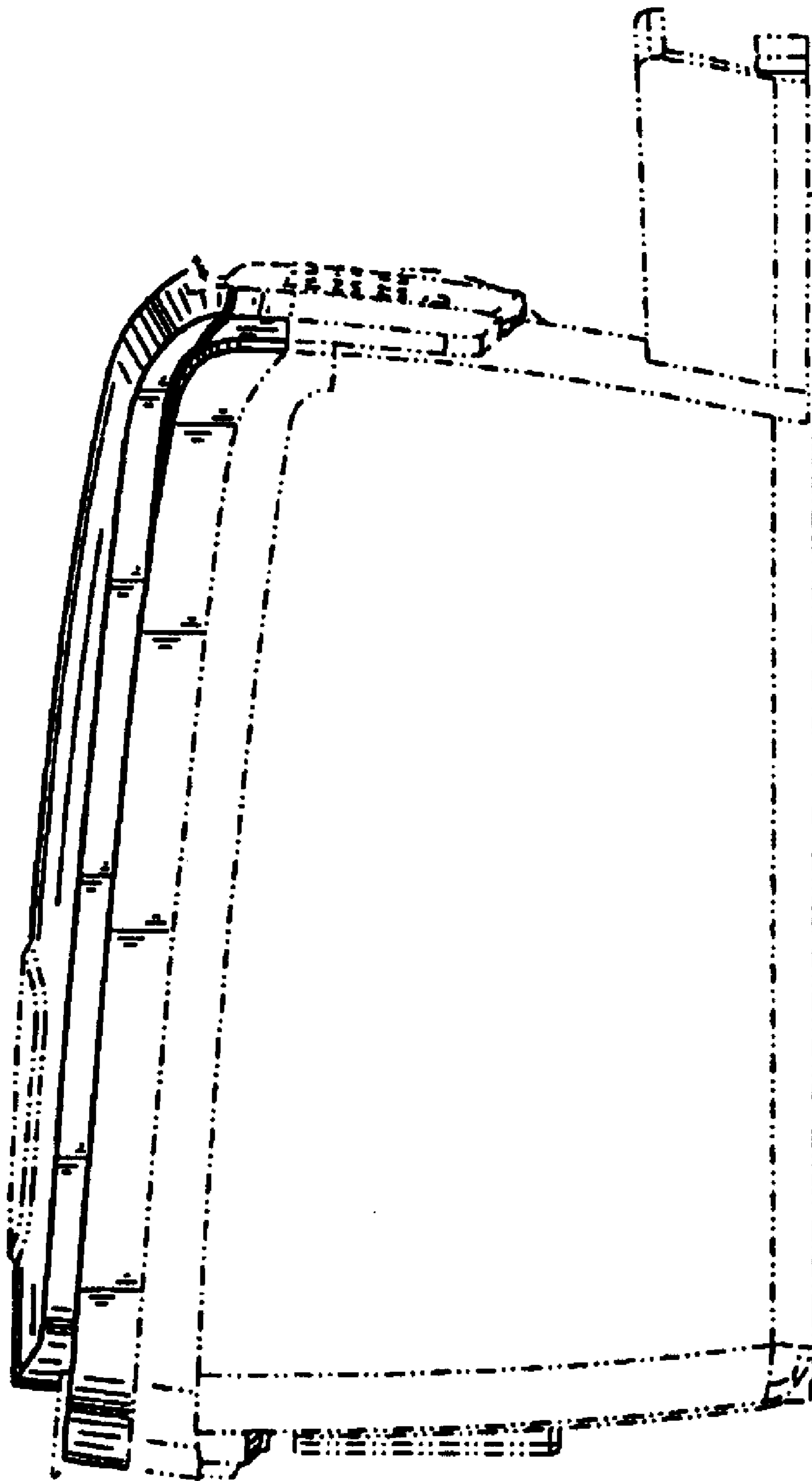


FIG. 3

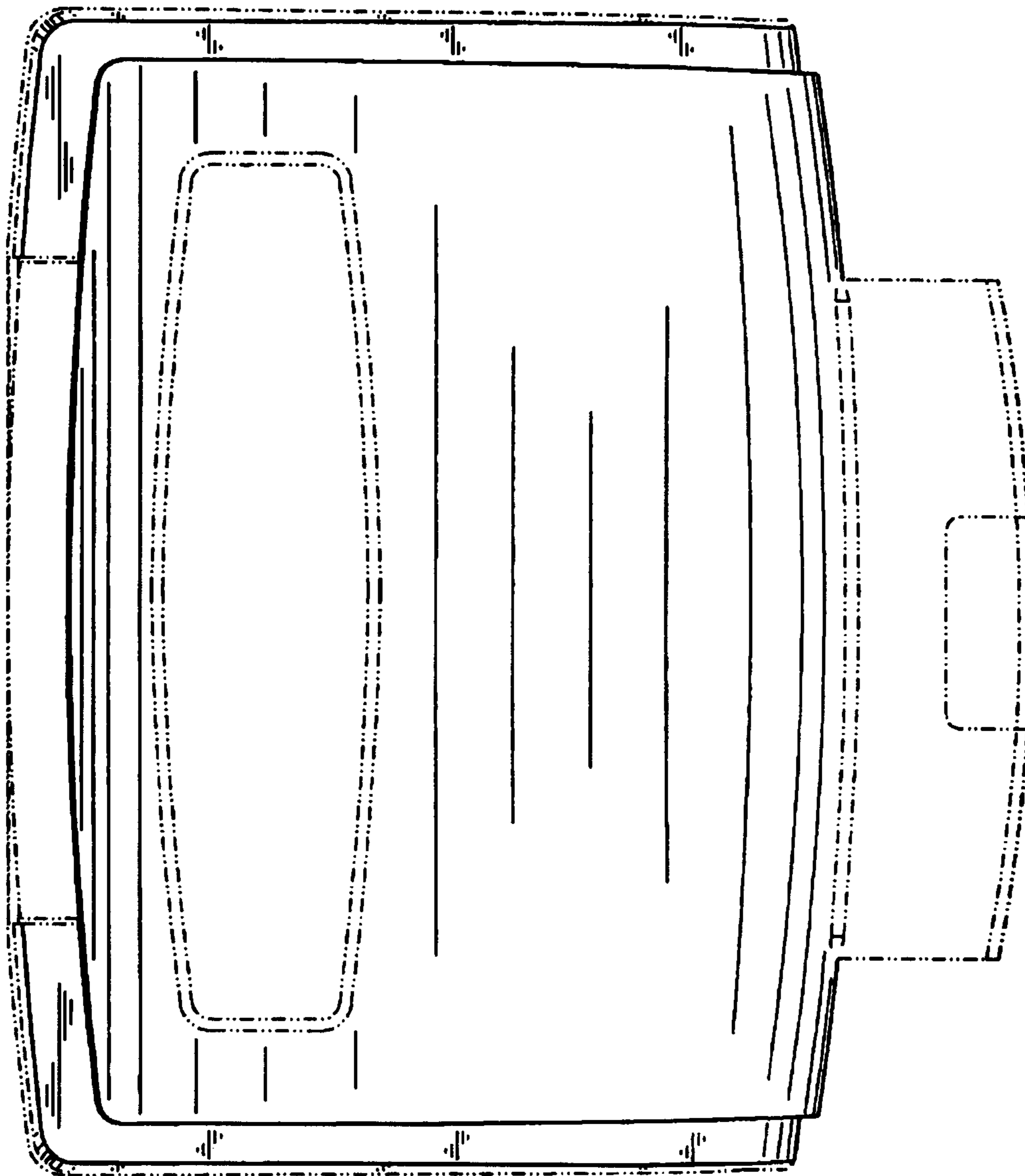


FIG. 4

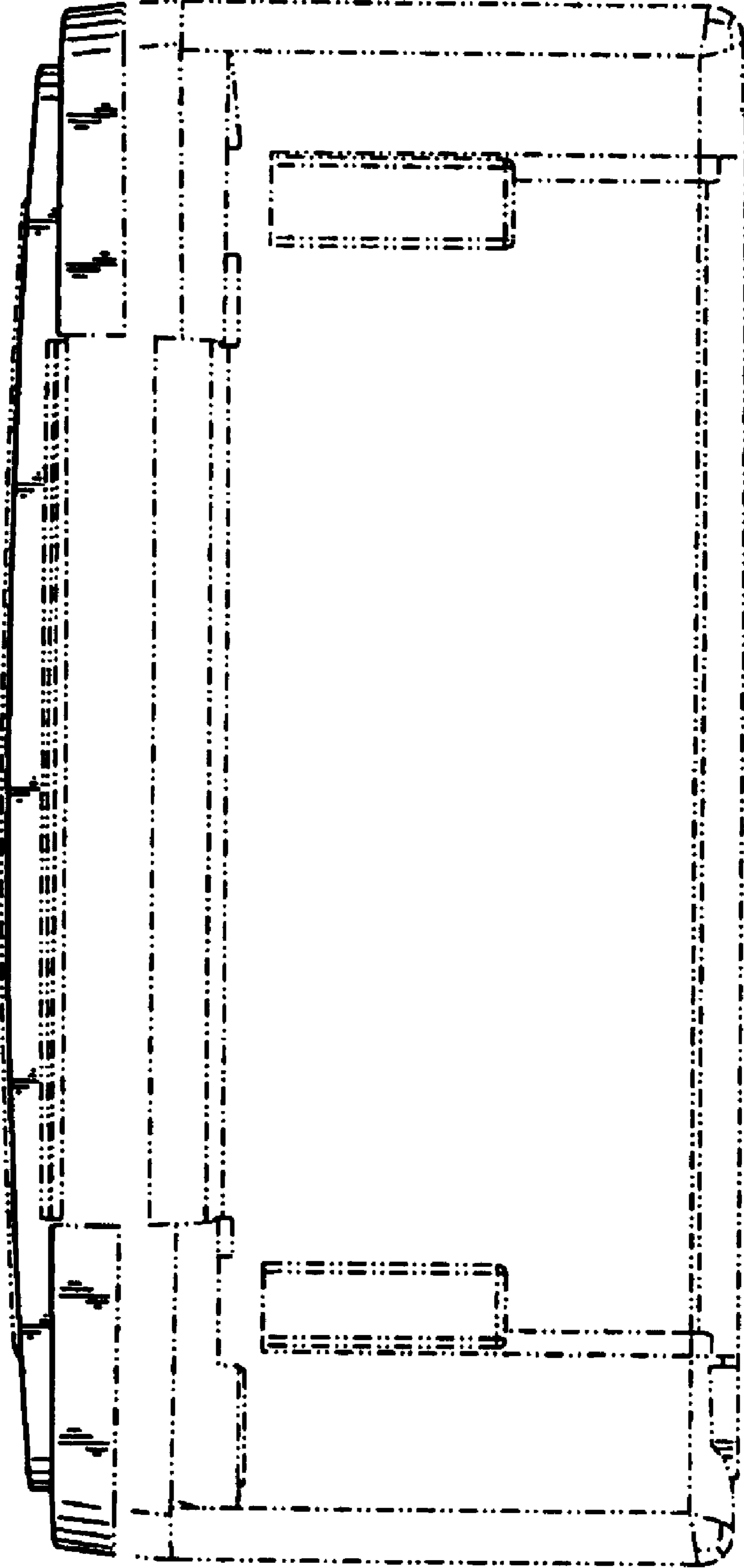


FIG. 5

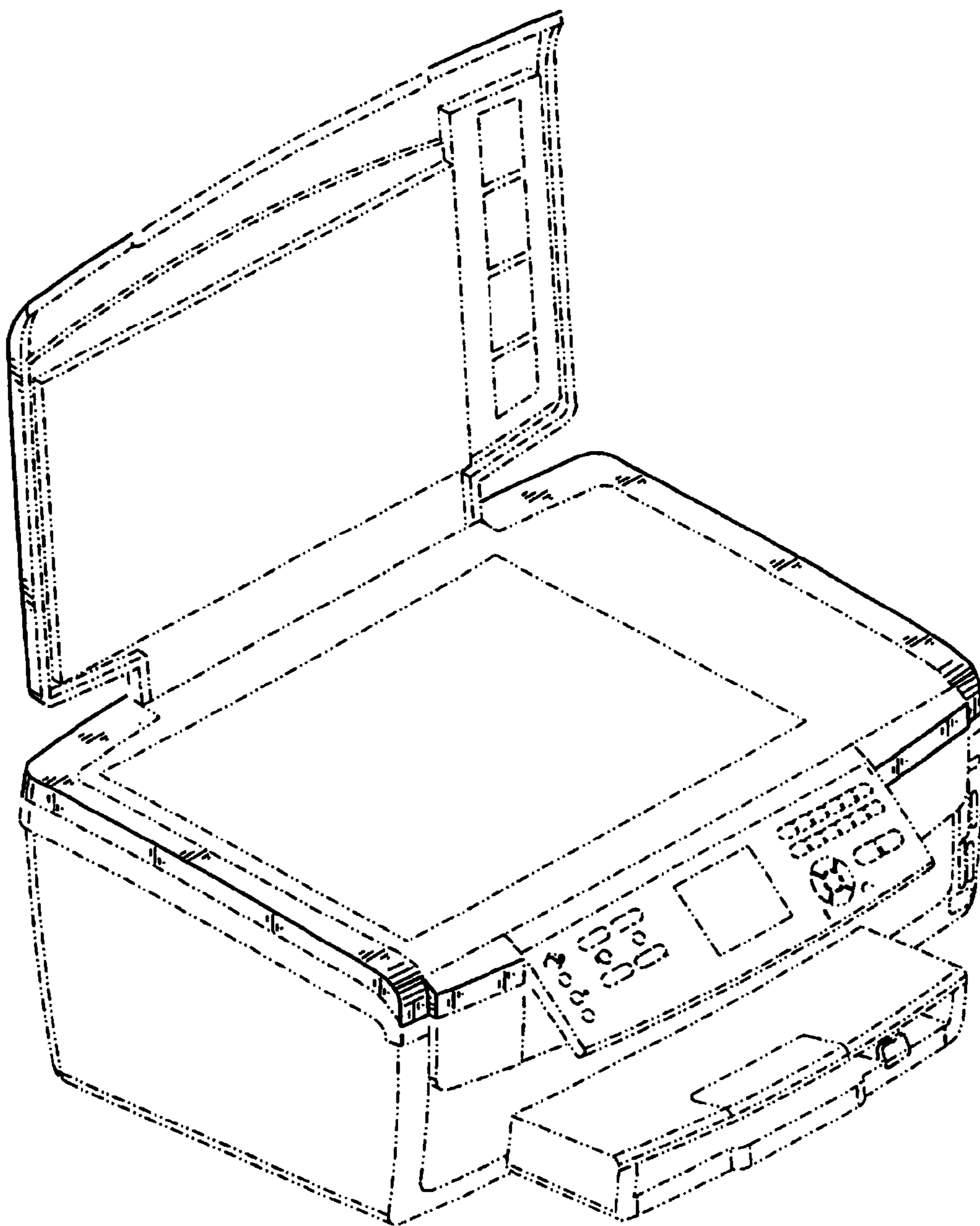


FIG. 6