



US00D537867S

(12) **United States Design Patent**  
**Peck et al.**

(10) **Patent No.:** **US D537,867 S**

(45) **Date of Patent:** **\*\* Mar. 6, 2007**

(54) **IMAGE REPRODUCTION MACHINE  
PLATEN COVER**

(75) Inventors: **Walter D. Peck**, Tigard, OR (US);  
**Christopher D. Peck**, Tigard, OR (US)

(73) Assignee: **Book Support Systems, Inc.**, Tigard,  
OR (US)

(\*\*) Term: **14 Years**

(21) Appl. No.: **29/245,595**

(22) Filed: **Dec. 27, 2005**

(51) **LOC (8) Cl.** ..... **16-03**

(52) **U.S. Cl.** ..... **D18/40**

(58) **Field of Classification Search** ..... D18/36-41,  
D18/45-49, 55-57; D14/462-471; 222/DIG. 1;  
271/3.02, 3.03, 3.08, 145, 160, 171, 226,  
271/264; 355/97, 112; 399/16, 17, 361, 381-383,  
399/388, 393

See application file for complete search history.

(56) **References Cited**

**U.S. PATENT DOCUMENTS**

D108,936 S \* 3/1938 Fitzgerald ..... D18/39

D276,815 S \* 12/1984 Kando et al. .... D18/39  
D283,329 S \* 4/1986 Dayton ..... D18/36  
D303,544 S \* 9/1989 Umino ..... D18/40  
D327,672 S \* 7/1992 Iimura ..... D14/423  
5,223,858 A \* 6/1993 Yokoi et al. .... 399/361  
5,936,945 A \* 8/1999 Shibata et al. .... 370/260

\* cited by examiner

*Primary Examiner*—Robert M. Spear

*Assistant Examiner*—Garth Rademaker

(74) *Attorney, Agent, or Firm*—Slater & Michaelson

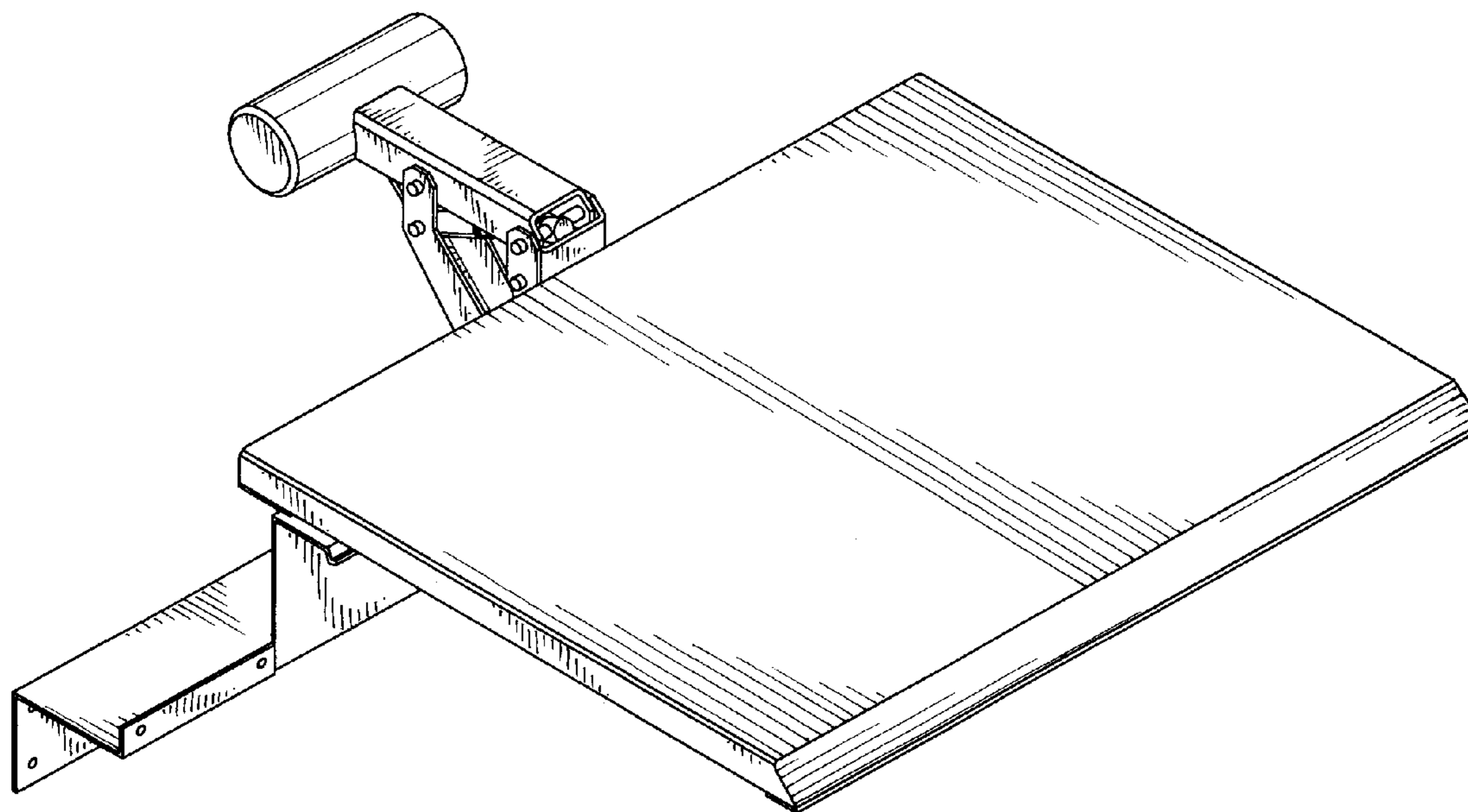
(57) **CLAIM**

The ornamental design for an image reproduction machine platen cover, as shown.

**DESCRIPTION**

FIG. 1 is a perspective view of an image reproduction machine platen cover showing our new design; FIG. 2 is a top plan view thereof; FIG. 3 is a bottom plan view thereof; FIG. 4 is a left side elevational view thereof; FIG. 5 is a right side elevational view thereof; FIG. 6 is a front elevational view thereof; and, FIG. 7 is a rear elevational view thereof.

**1 Claim, 5 Drawing Sheets**



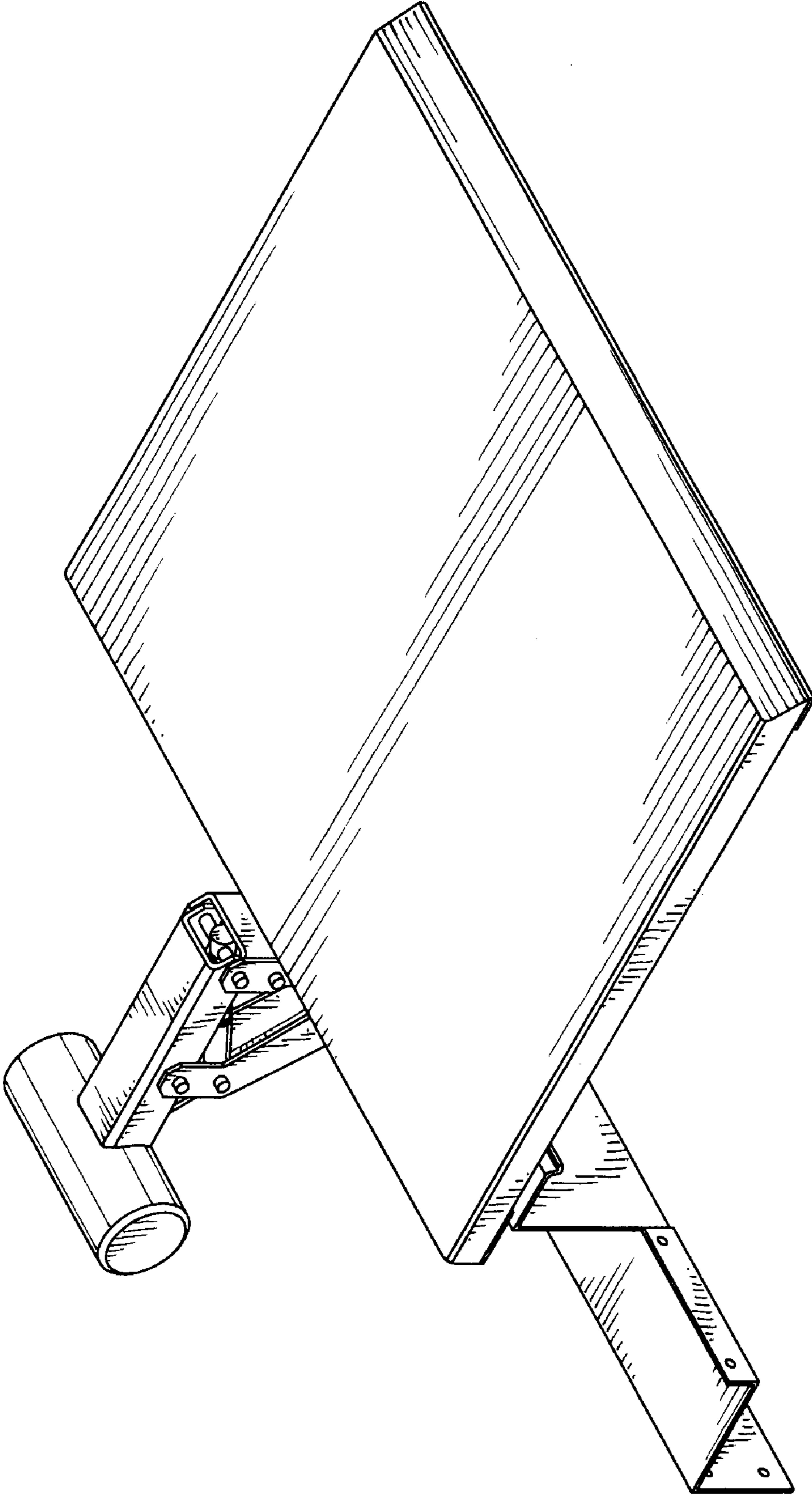


FIG. 1

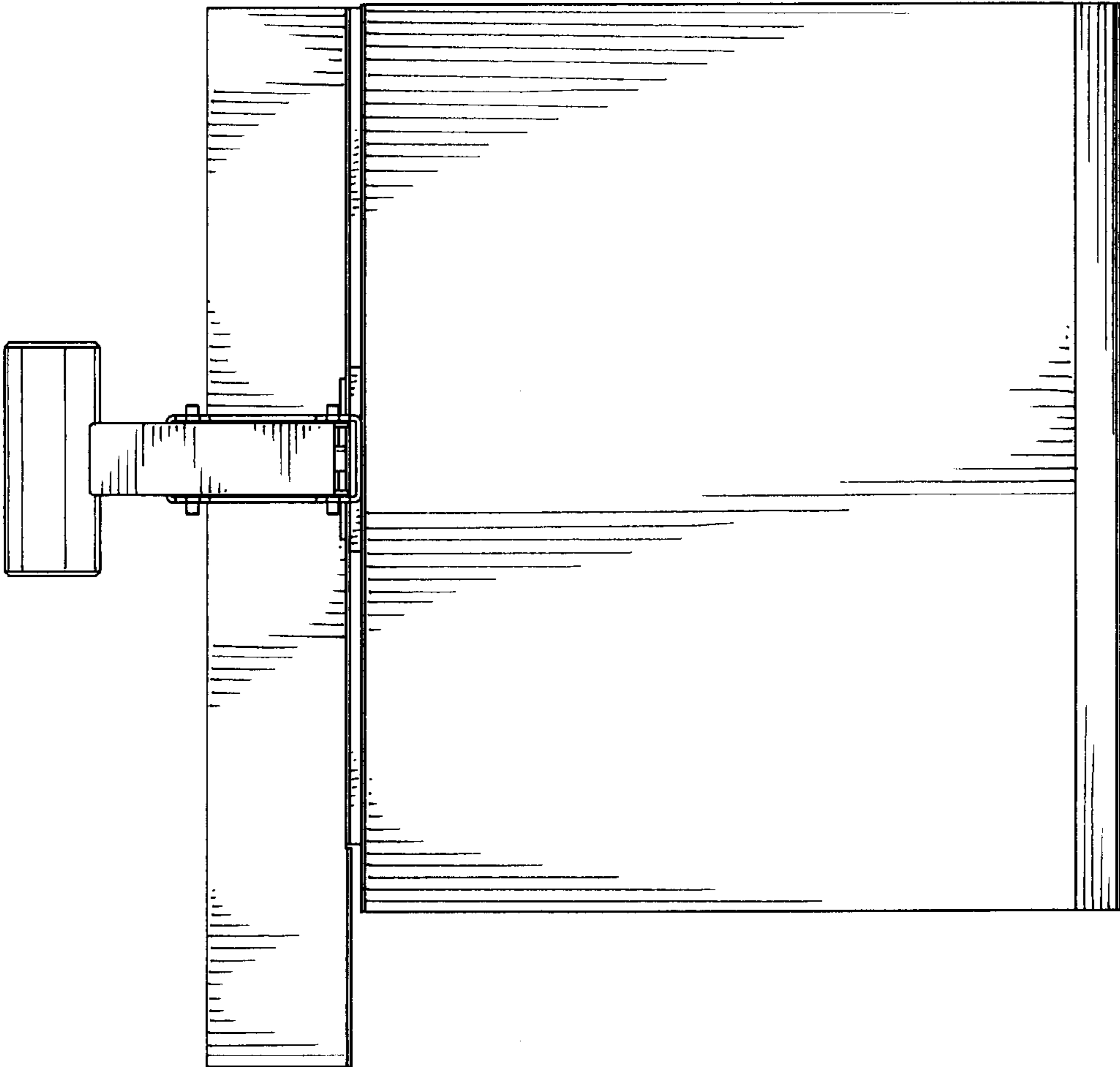


FIG. 2

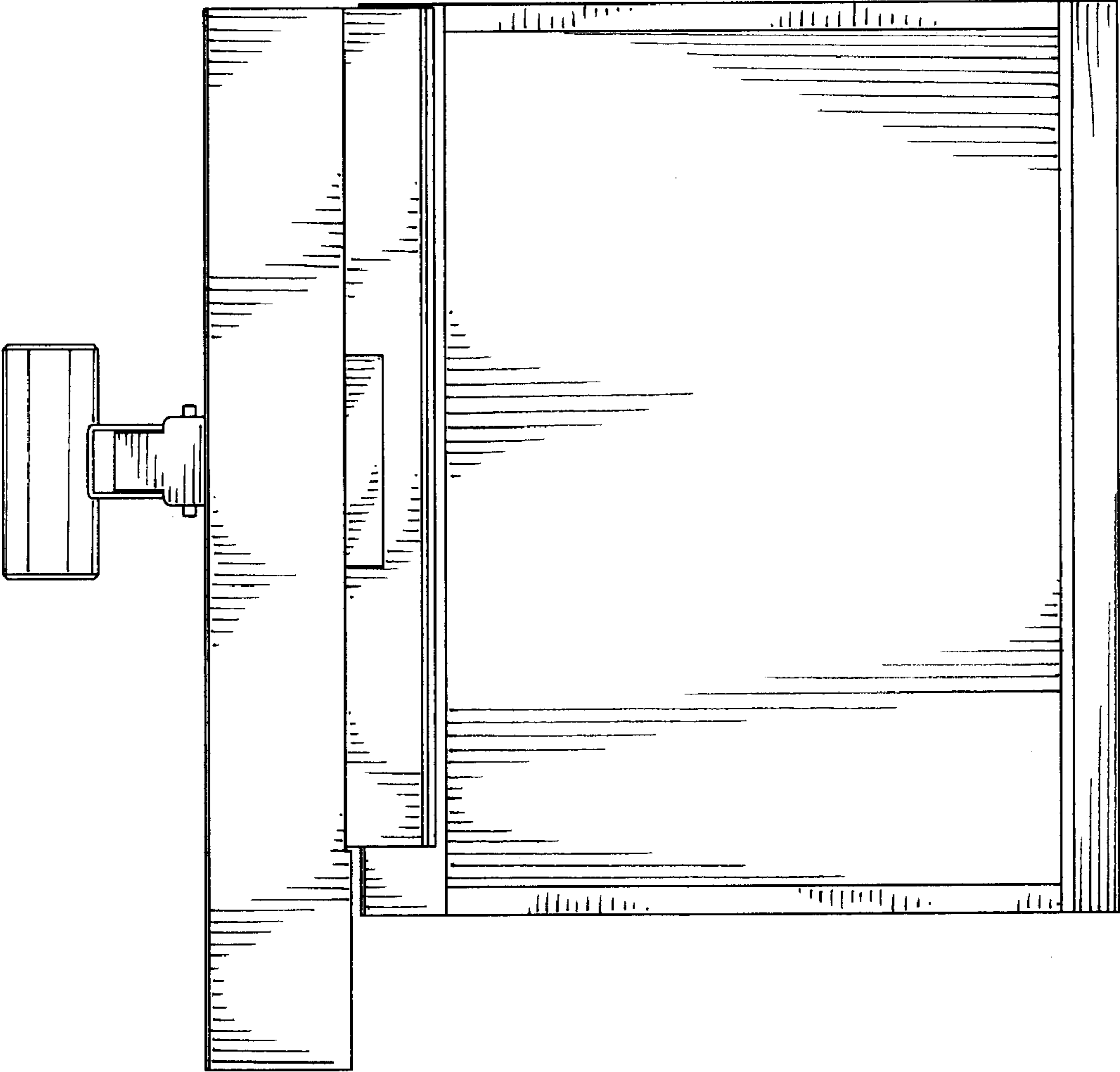


FIG. 3

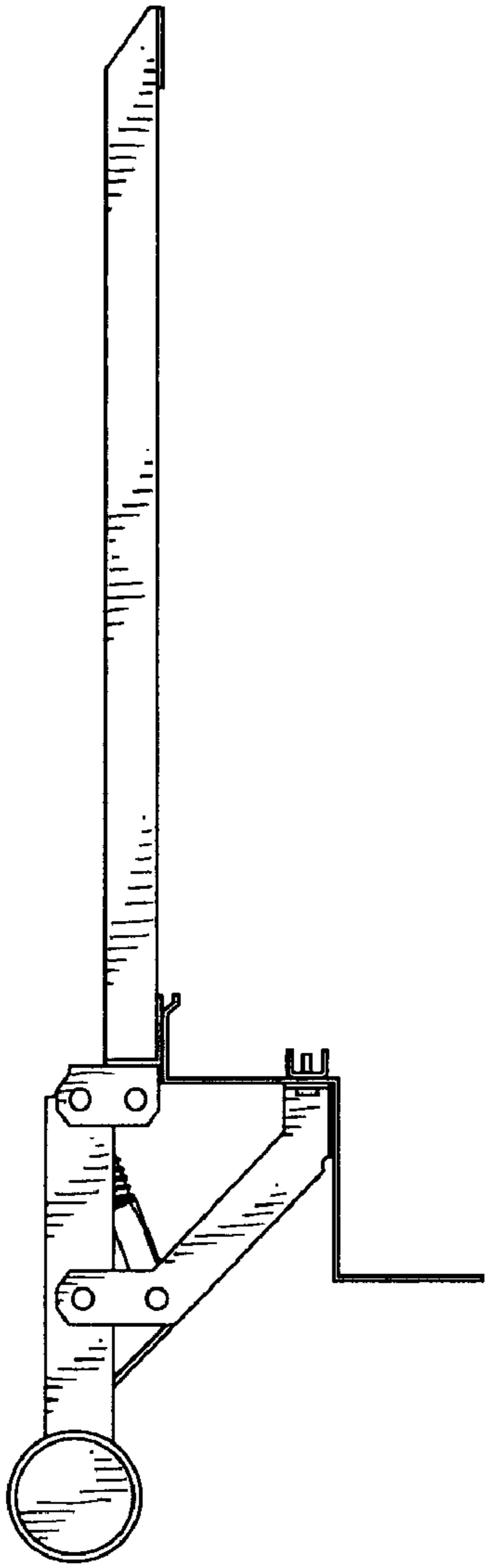


FIG. 4

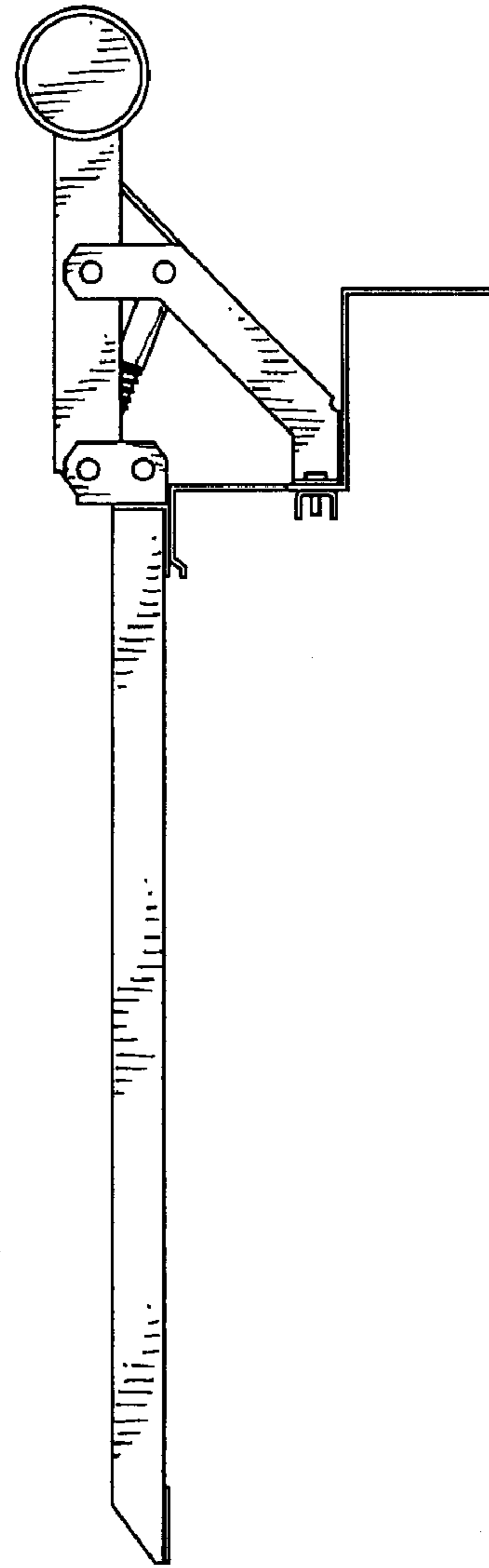


FIG. 5

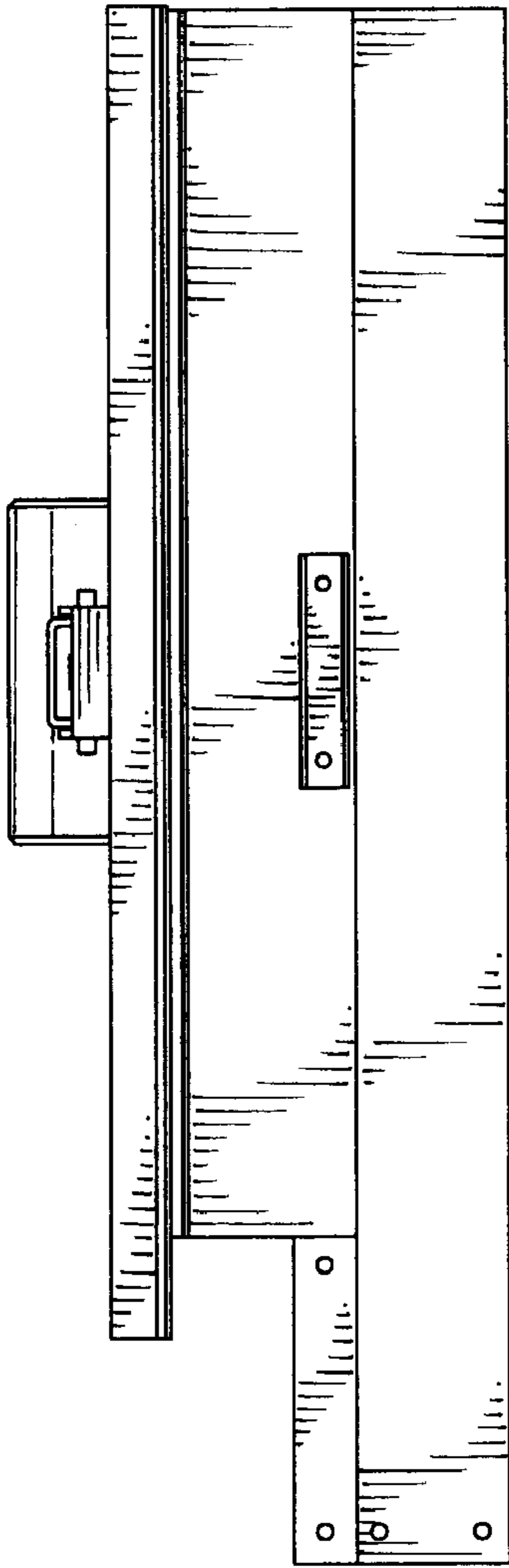


FIG. 6

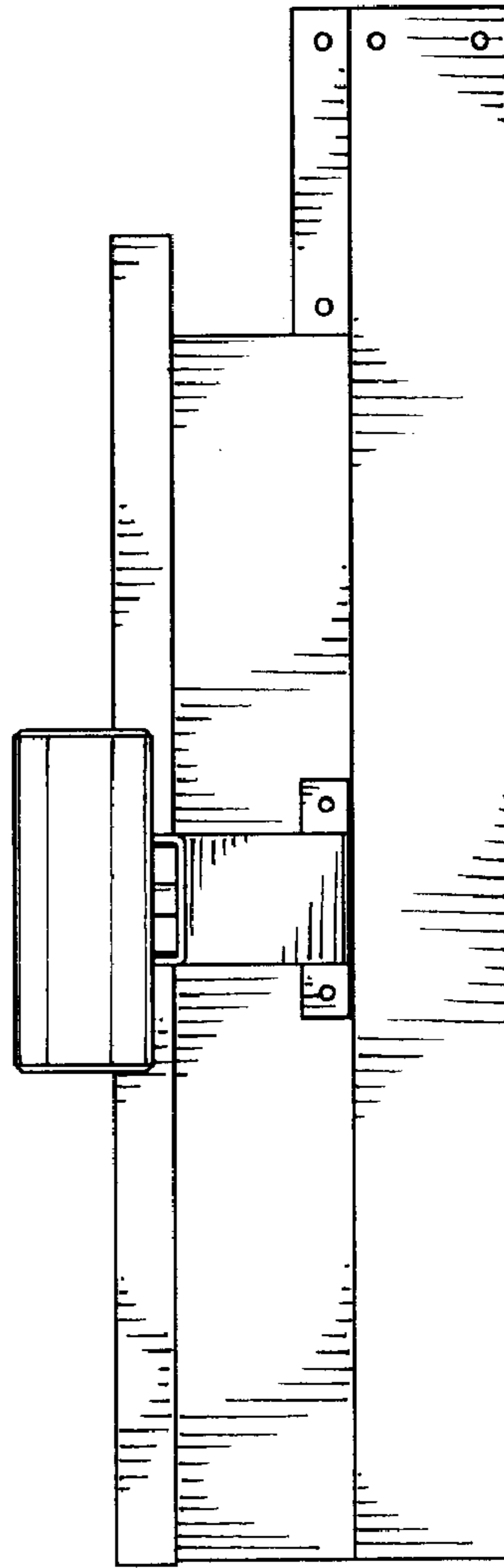


FIG. 7