



US00D537865S

(12) **United States Design Patent**  
**Sugimoto et al.**

(10) **Patent No.:** **US D537,865 S**  
(45) **Date of Patent:** **\*\* Mar. 6, 2007**

(54) **TAPE CARTRIDGE BRACKET FOR A TAPE PRINTING MACHINE**

6,989,850 B2 \* 1/2006 Burdenko ..... 347/220

(75) Inventors: **Kiyoshi Sugimoto**, Kuwana (JP);  
**Shigeru Matsumoto**, Toyokawa (JP)

(73) Assignee: **Brother Industries, Ltd.**, Nagoya (JP)

(\*\*) Term: **14 Years**

(21) Appl. No.: **29/208,180**

(22) Filed: **Jun. 25, 2004**

(30) **Foreign Application Priority Data**

Dec. 25, 2003 (JP) ..... 2003-038404

(51) **LOC (8) Cl.** ..... **18-99**

(52) **U.S. Cl.** ..... **D18/19**

(58) **Field of Classification Search** ..... D18/50,  
D18/54, 54.1, 56-59; 347/171, 108, 170,  
347/220, 263; 400/625, 642, 680, 120.6,  
400/692, 613.1; D6/635, 499; D10/75-77,  
D10/81; D16/221-234; D14/474, 168; D8/400,  
D8/366, 384, 499

See application file for complete search history.

(56) **References Cited**

**U.S. PATENT DOCUMENTS**

4,913,567 A \* 4/1990 Imamaki et al. .... 400/120.16  
5,314,258 A \* 5/1994 Brown et al. .... D18/56  
5,421,661 A \* 6/1995 Aizawa et al. .... 400/625  
6,232,995 B1 \* 5/2001 Schartner ..... 347/220

**OTHER PUBLICATIONS**

James Walker Co. Catalog, 1949, p. 119, Fig. 243—Flat Hatch Trim.\*

Schaefer Marine Catalog, 1988, p. 78, item 84-33 T-Chain-plate.\*

S. K. Fulton Inc, Catalog, No. 52-53, 1957, p. 85, Anchor Keys No R-767.\*

\* cited by examiner

*Primary Examiner*—Charles A. Rademaker

(74) *Attorney, Agent, or Firm*—Oliff & Berridge, PLC

(57) **CLAIM**

The ornamental design for a tape cartridge bracket for a tape printing machine, as shown and described.

**DESCRIPTION**

FIG. 1 is a top perspective view of a tape cartridge bracket for a tape printing machine showing our new design;

FIG. 2 is a front elevation thereof;

FIG. 3 is a rear elevation thereof;

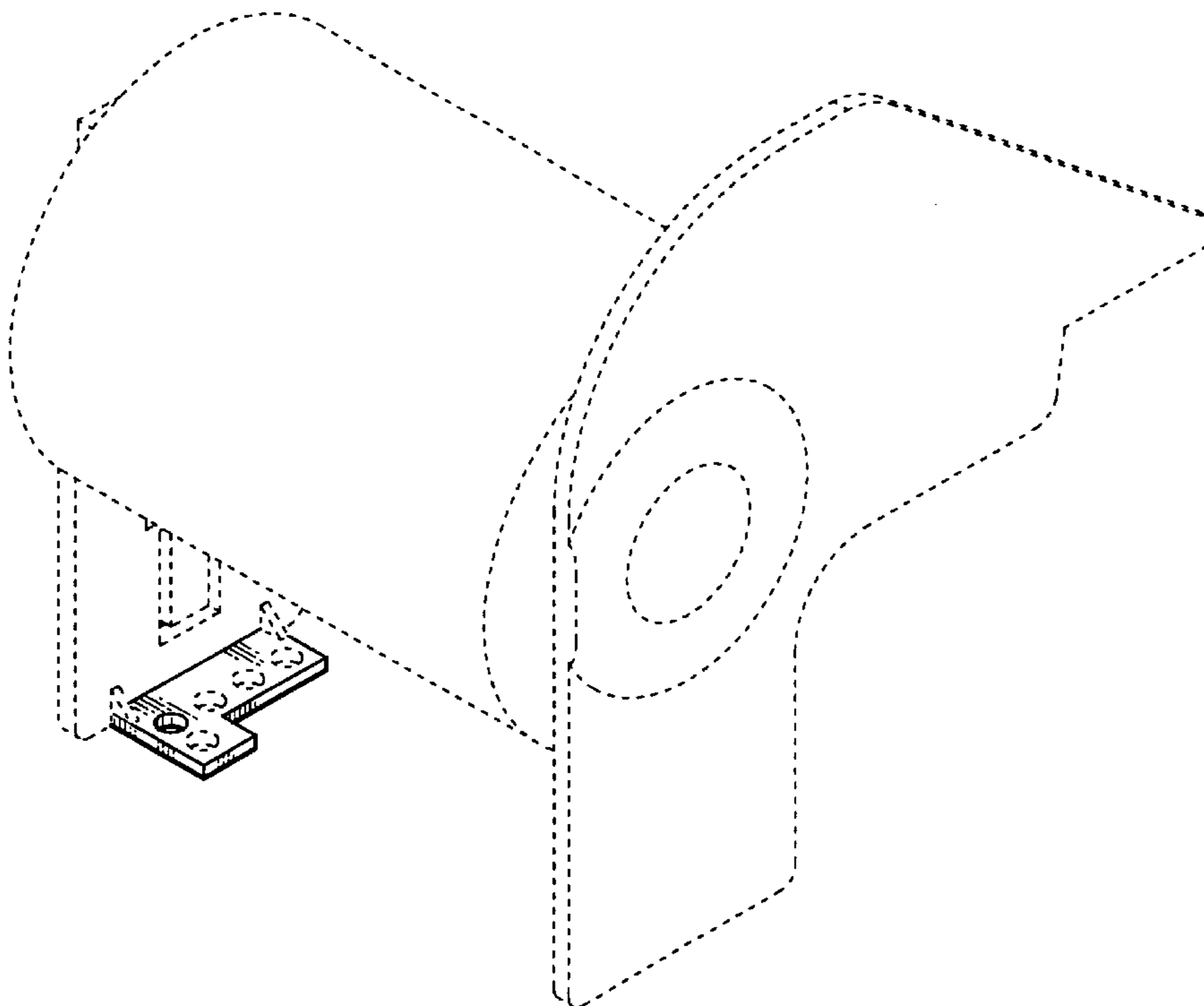
FIG. 4 is a right-side elevation thereof;

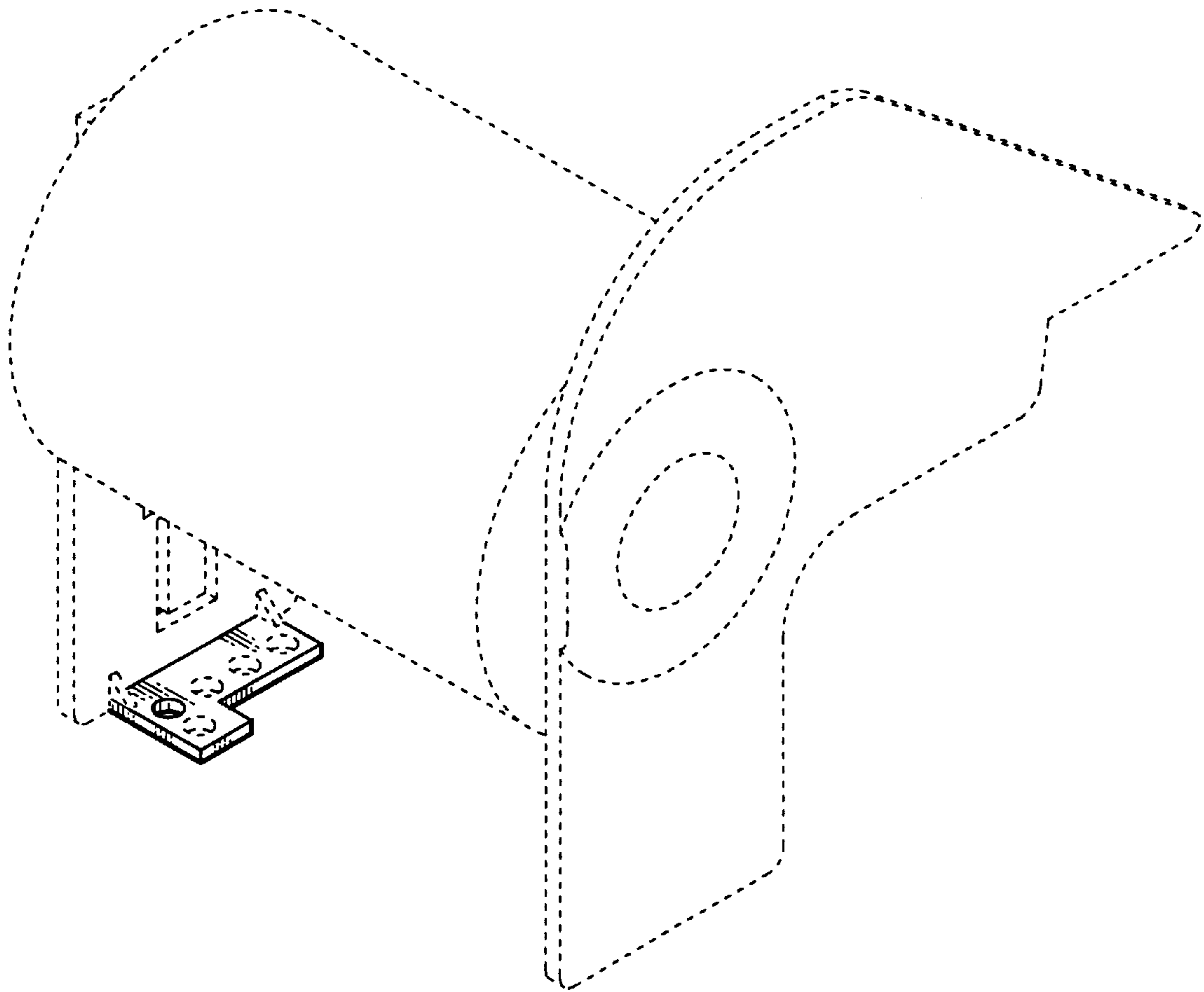
FIG. 5 is a bottom plan thereof; and,

FIG. 6 is another top perspective view thereof shown on an enlarged scale.

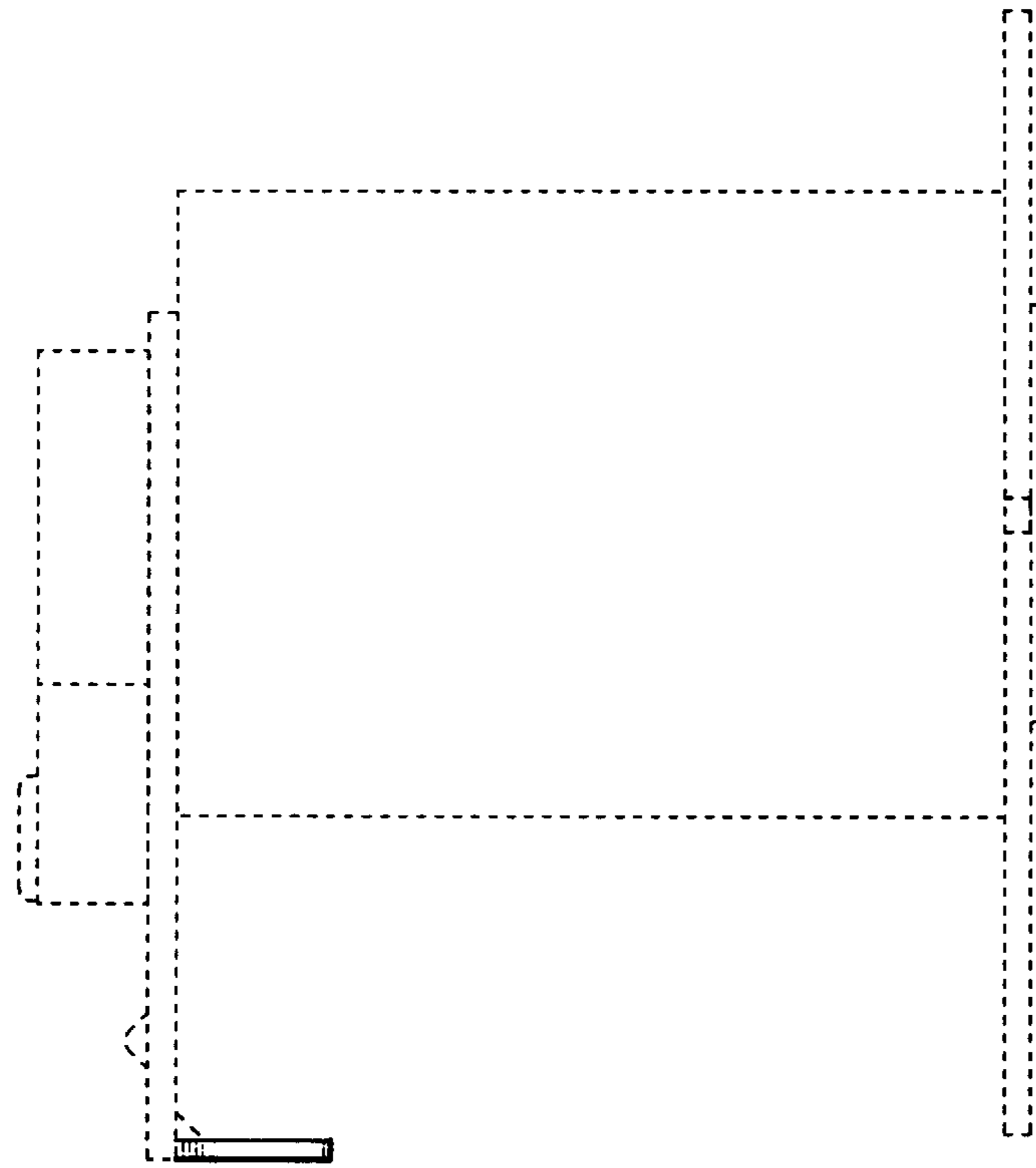
The broken line disclosure is for illustrative purposes only and forms no part of the claimed design.

**1 Claim, 4 Drawing Sheets**

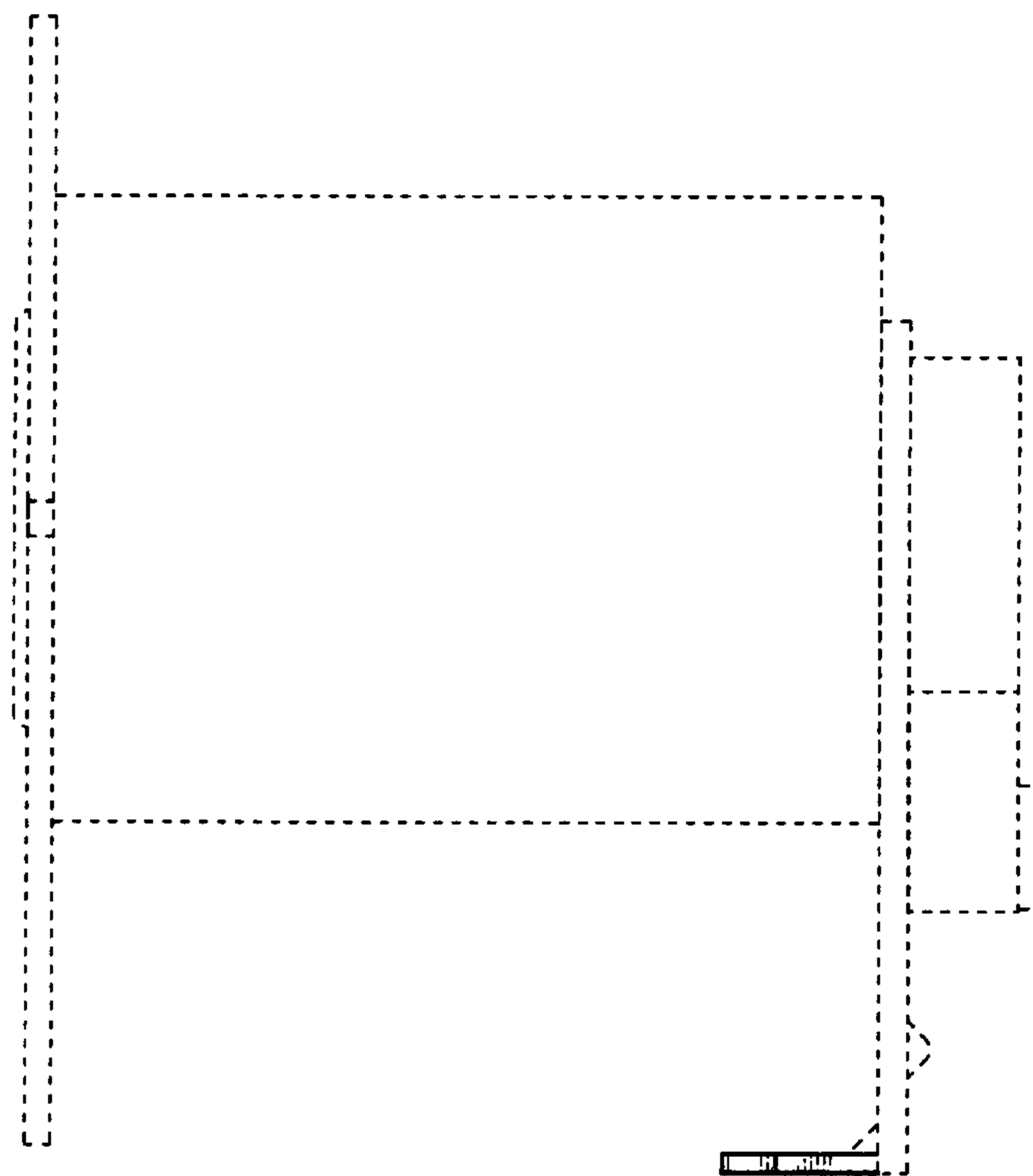




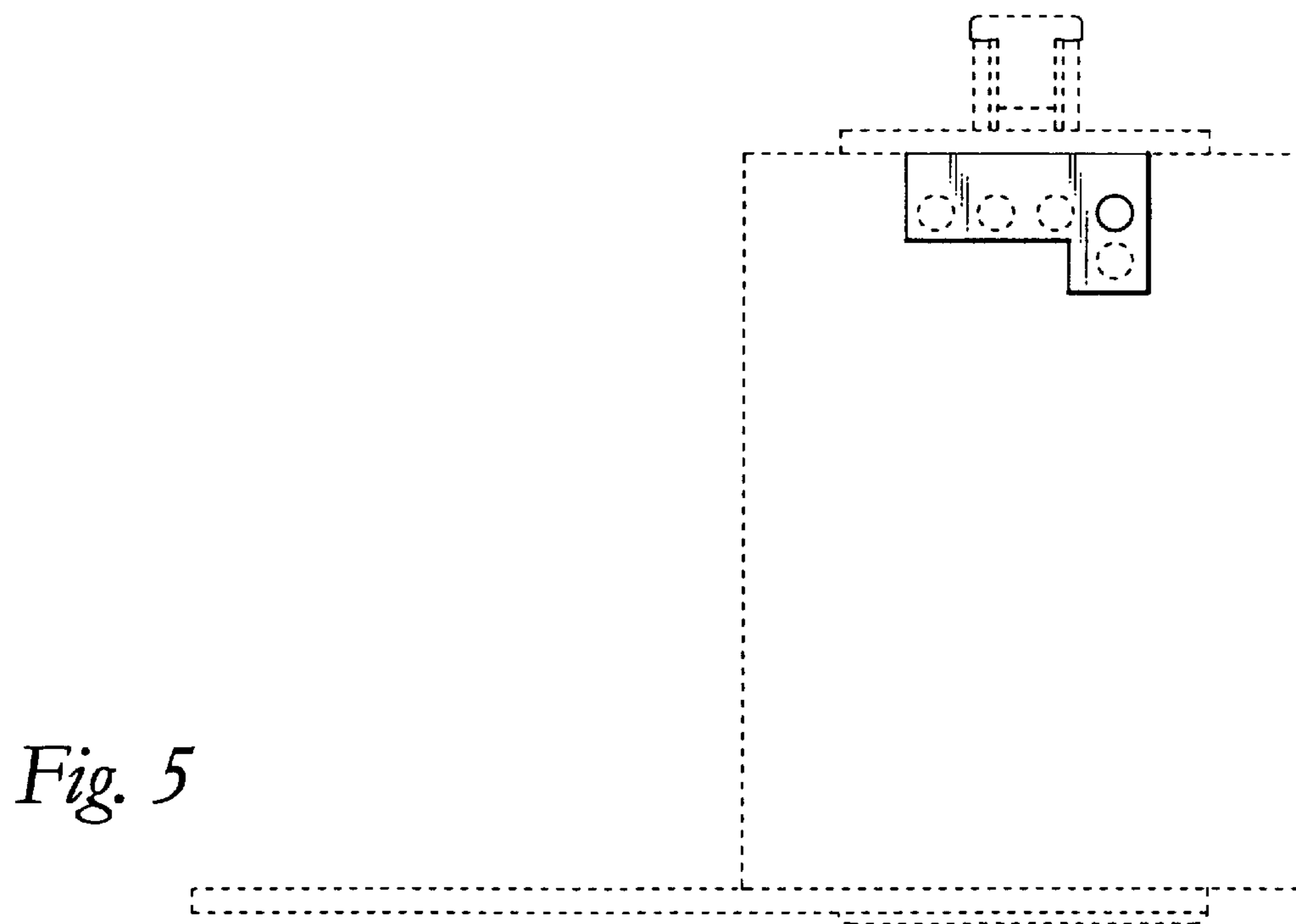
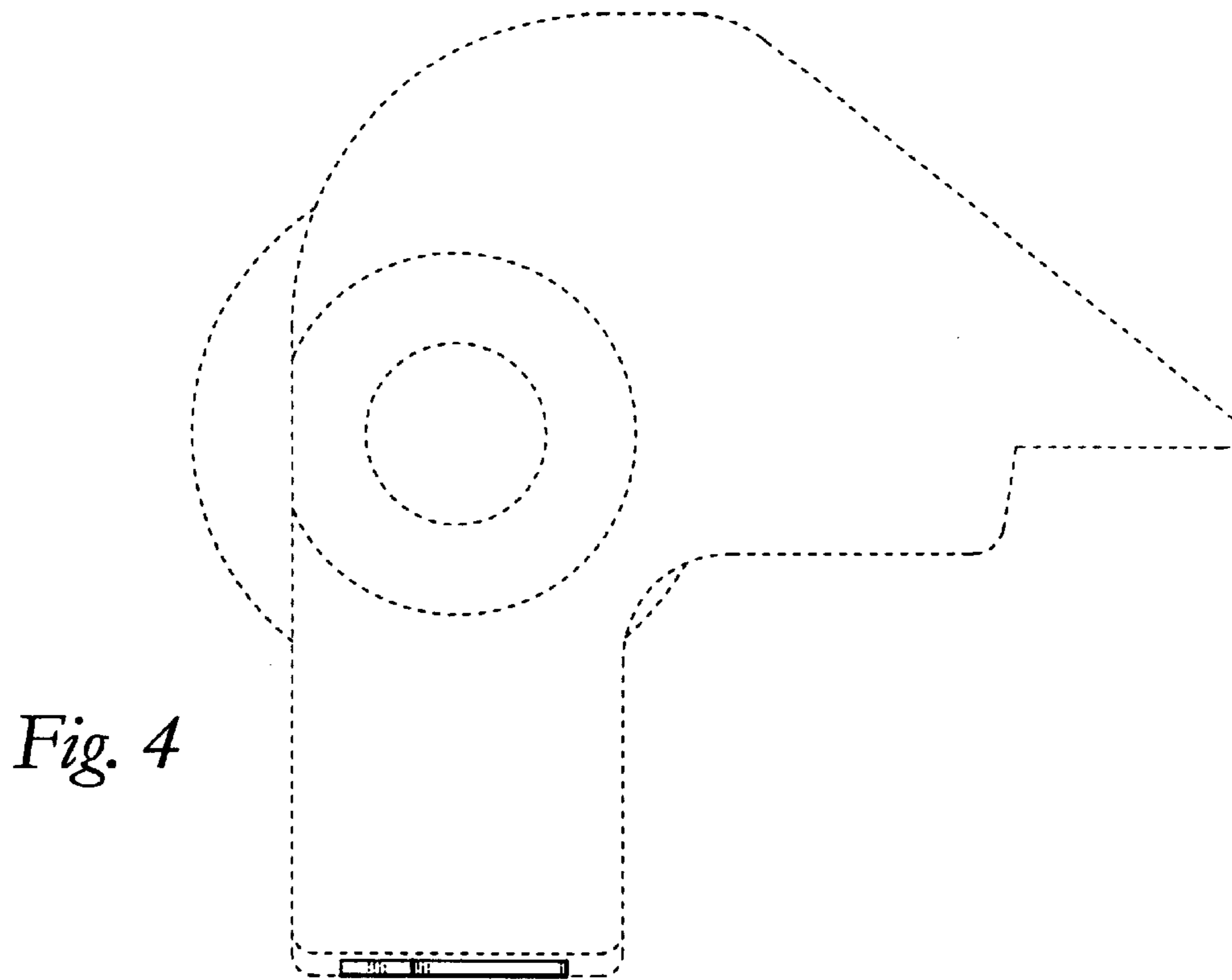
*Fig. 1*

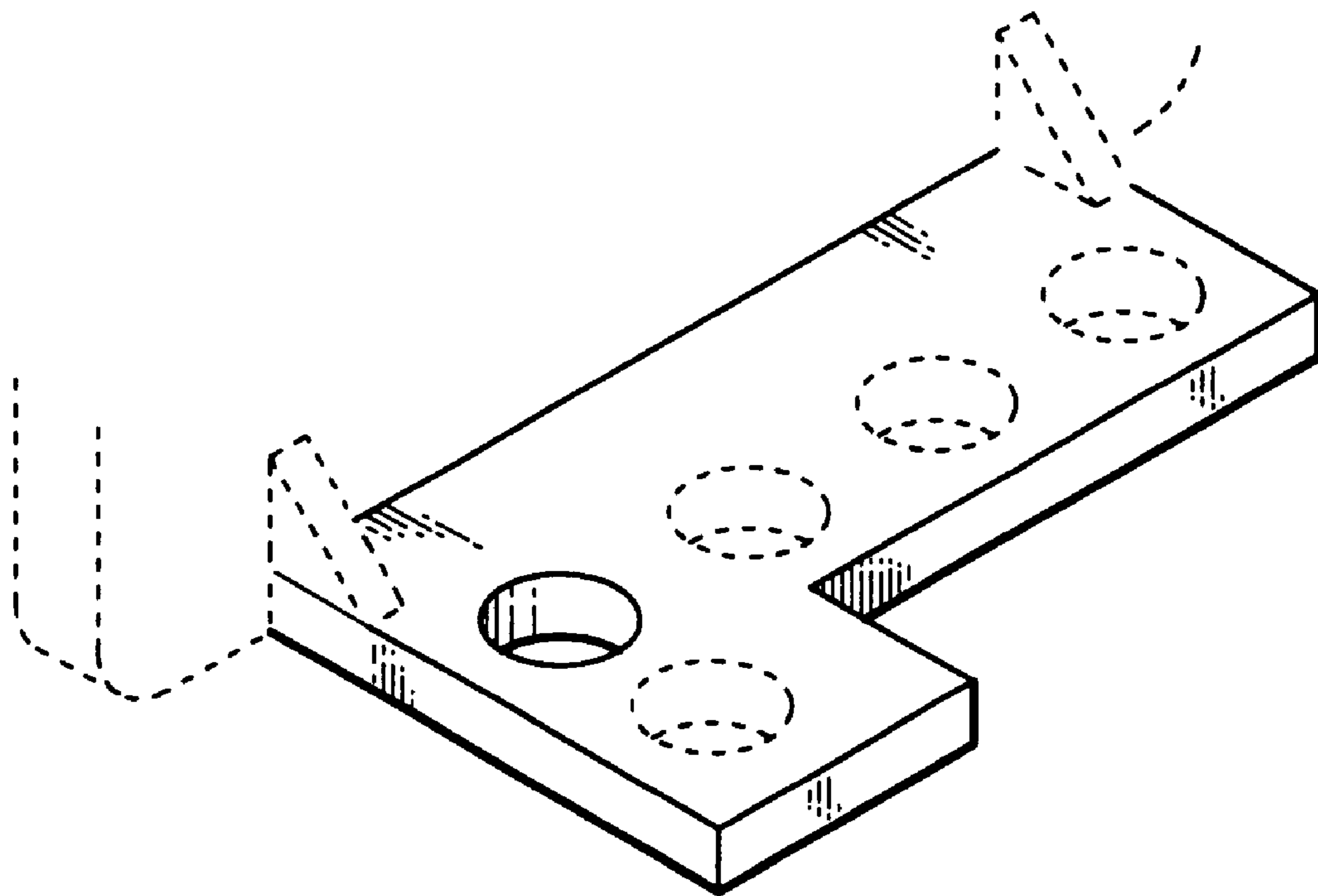


*Fig. 2*



*Fig. 3*





*Fig. 6*