



US00D537859S

(12) **United States Design Patent**
Speggiorin

(10) **Patent No.:** **US D537,859 S**

(45) **Date of Patent:** **** Mar. 6, 2007**

(54) **SUPPORT HEAD FOR OPTICAL AND PHOTOGRAPHIC EQUIPMENTS**

(75) Inventor: **Paolo Speggiorin**, Mussolente (IT)

(73) Assignee: **Lino Manfrotto & Co., S.p.A.**, Bassano del Grappa (IT)

(**) Term: **14 Years**

(21) Appl. No.: **29/245,237**

(22) Filed: **Dec. 21, 2005**

(30) **Foreign Application Priority Data**

Jun. 21, 2005 (EM) 000358841

(51) **LOC (8) Cl.** **16-05**

(52) **U.S. Cl.** **D16/245**

(58) **Field of Classification Search** D16/237,
D16/242, 243-245; 224/908; 248/176.1,
248/177.1, 178.1, 187.1, 183.1, 183.2; 348/373;
352/243; 396/419, 420, 428

See application file for complete search history.

(56) **References Cited**

U.S. PATENT DOCUMENTS

D152,477 S	7/1949	Huszagh	
D160,136 S	9/1950	Welt	
2,717,138 A	9/1955	Sheehan	
4,326,688 A	4/1982	Posso	
D265,481 S	* 7/1982	Iwasaki D16/245
D289,899 S	* 5/1987	Iwasaki D16/245
5,012,265 A	* 4/1991	Nakatani 352/243

D323,339 S	* 1/1992	Ishikawa D16/245
D327,085 S	6/1992	Miyauchi	
D343,853 S	* 2/1994	Haung D16/245
6,513,784 B2	* 2/2003	Lindsay 248/178.1

* cited by examiner

Primary Examiner—Adir Aronovich

(74) *Attorney, Agent, or Firm*—RatnerPrestia

(57) **CLAIM**

The ornamental design for a support head for optical and photographic equipments, as shown and described.

DESCRIPTION

FIG. 1 is a perspective view from the top front of a support head for optical and photographic equipments showing my new design.

FIG. 2 is a perspective view from the top rear of the support head of FIG. 1;

FIG. 3 is a top plan view of the support head of FIG. 1;

FIG. 4 is an elevation view from the left side of the support head of FIG. 1;

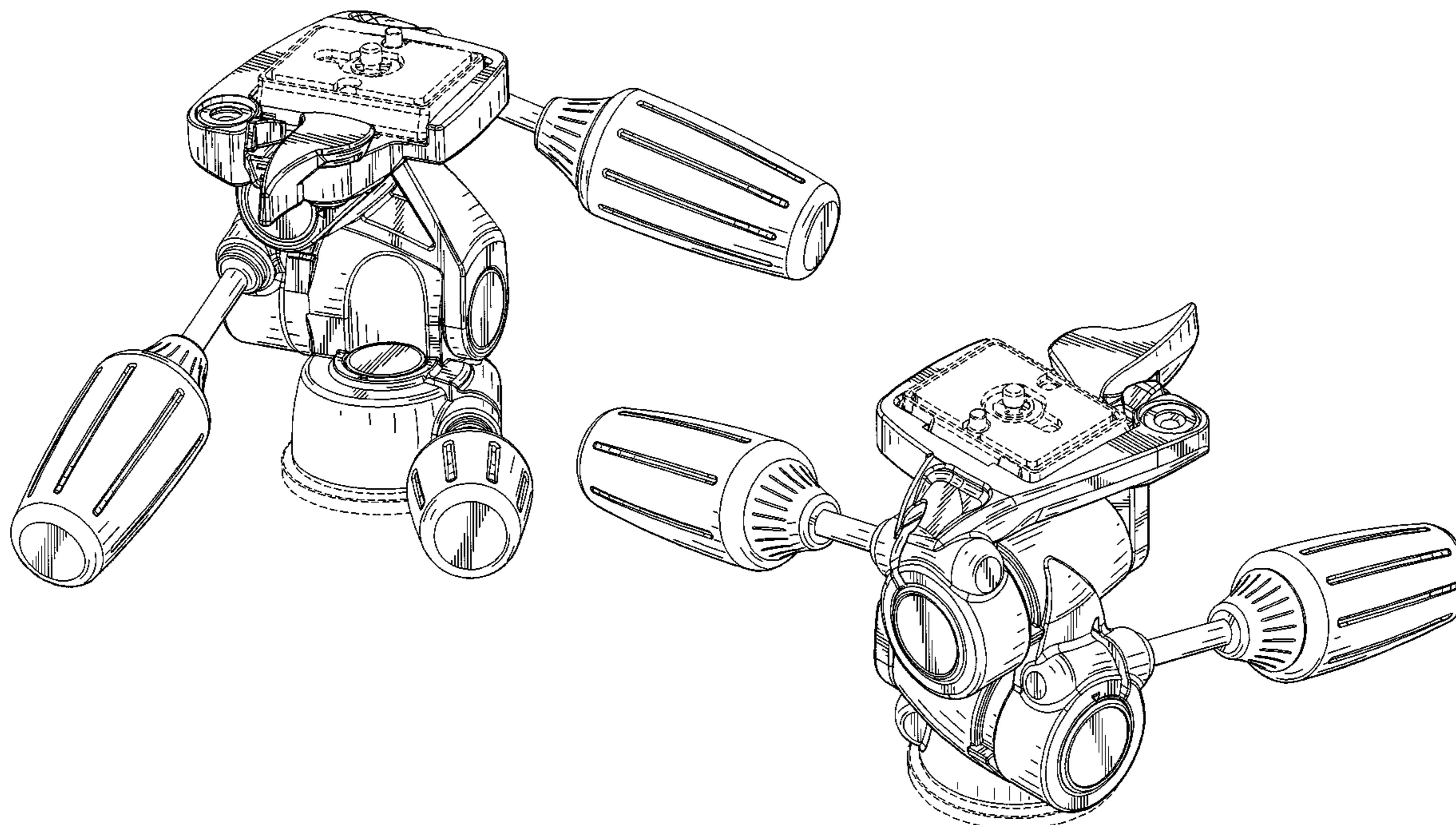
FIG. 5 is a front elevation view of the support head of FIG. 1;

FIG. 6 is an elevation view from the right side of the support head of FIG. 1;

FIG. 7 is a rear elevation view of the support head of FIG. 1; and,

FIG. 8 is a bottom plan view of the support head of FIG. 1. The broken lines are for illustration only and form no part of the claimed design.

1 Claim, 8 Drawing Sheets



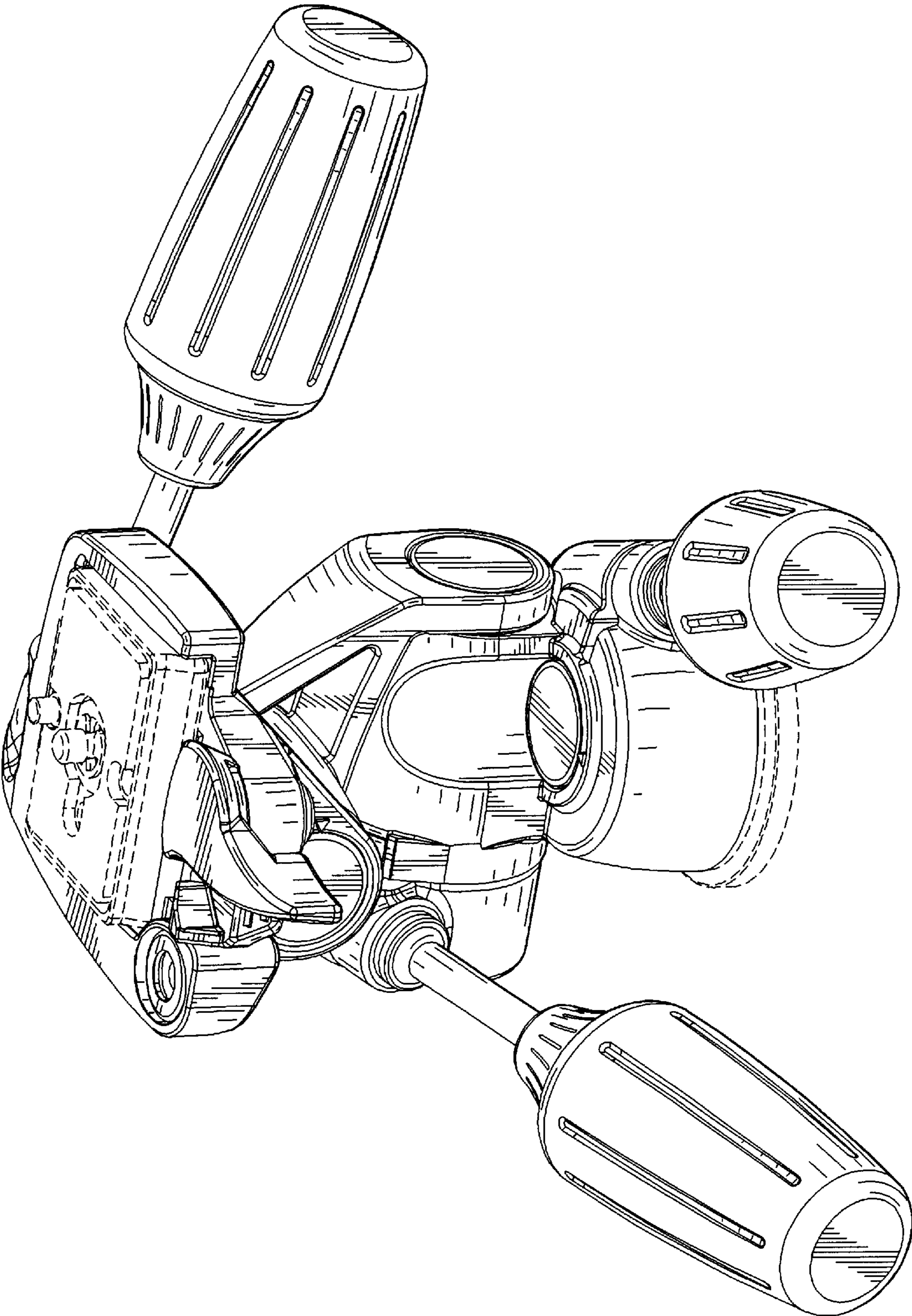


FIG. 1

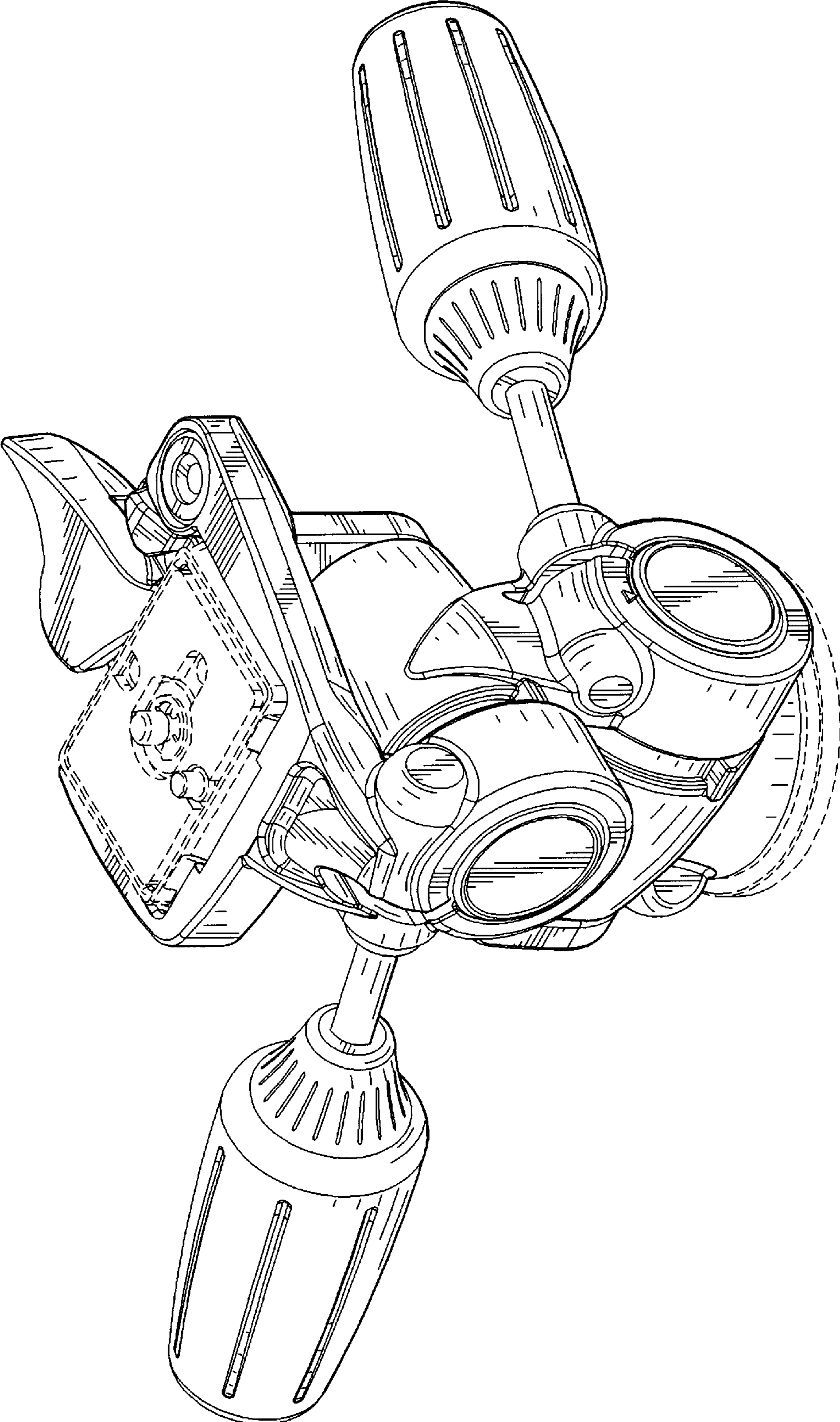


FIG. 2

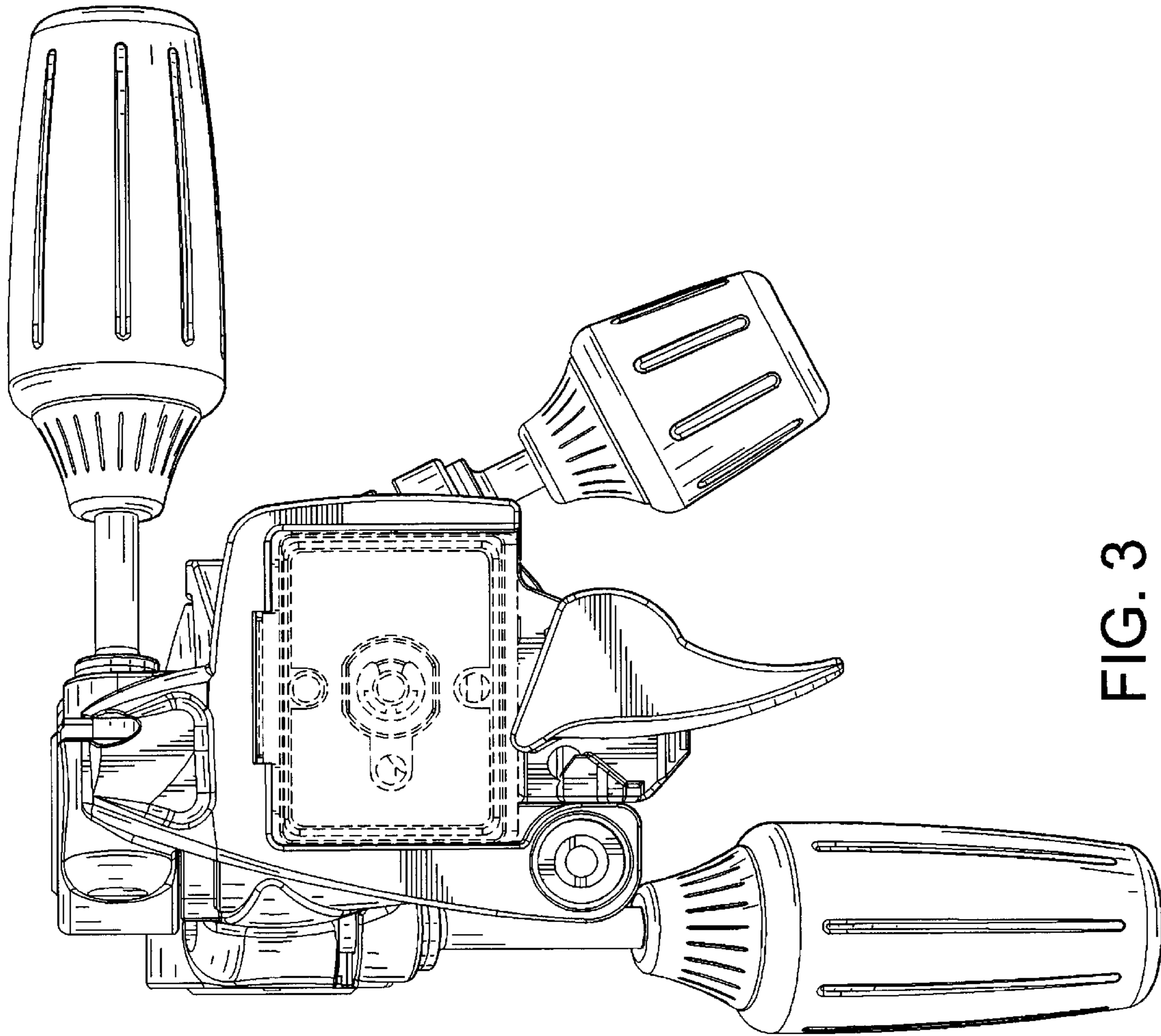


FIG. 3

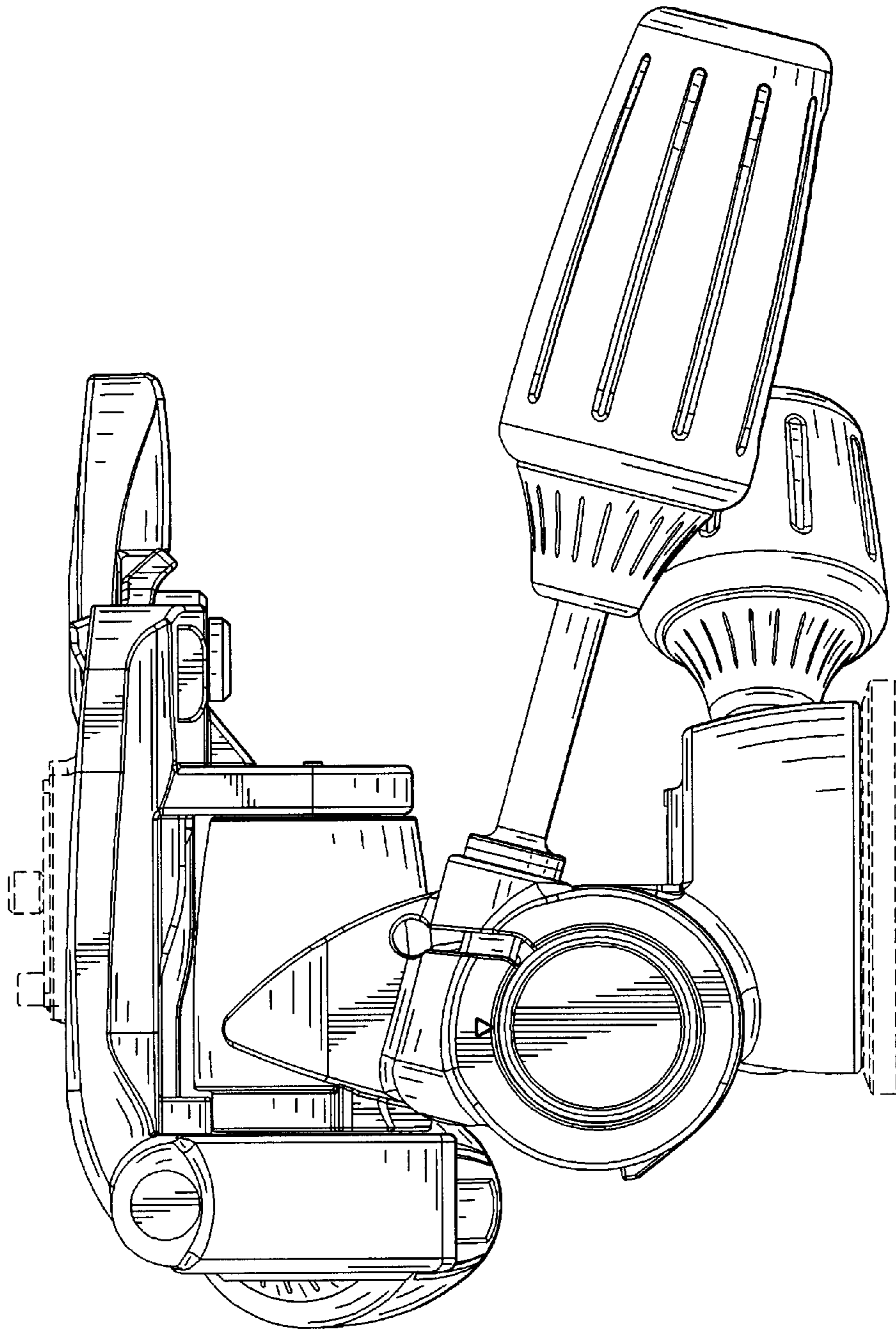


FIG. 4

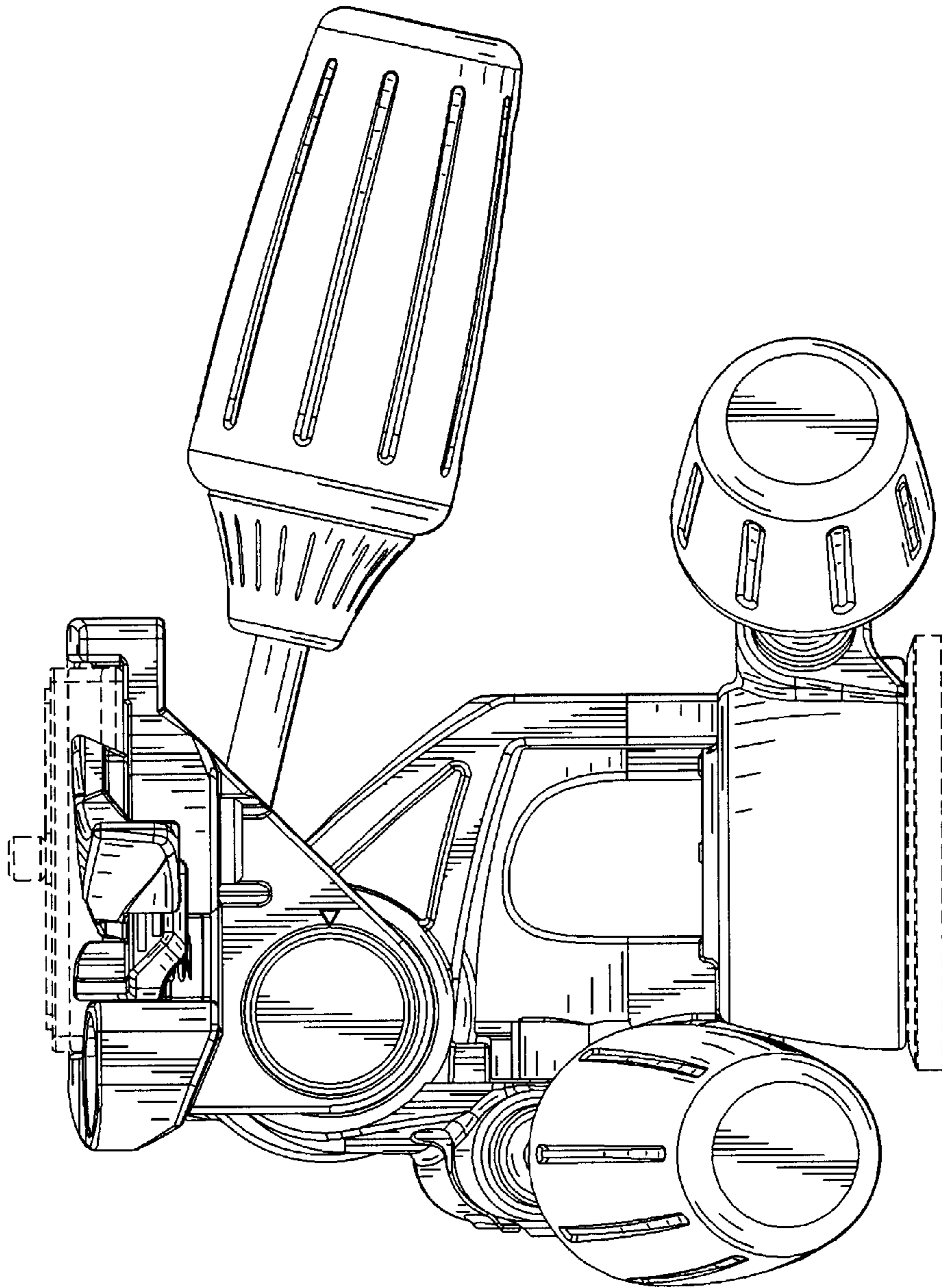


FIG. 5

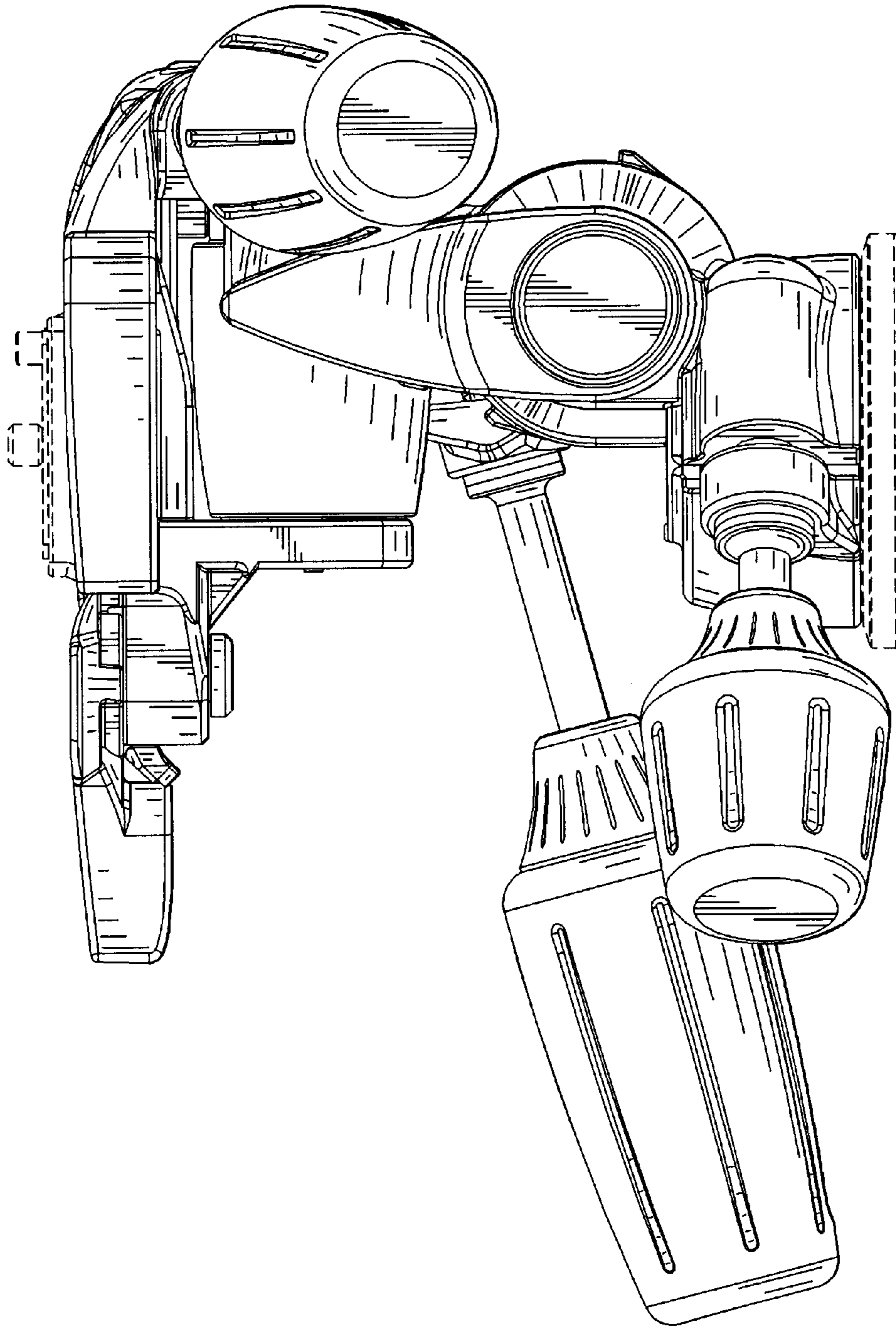


FIG. 6

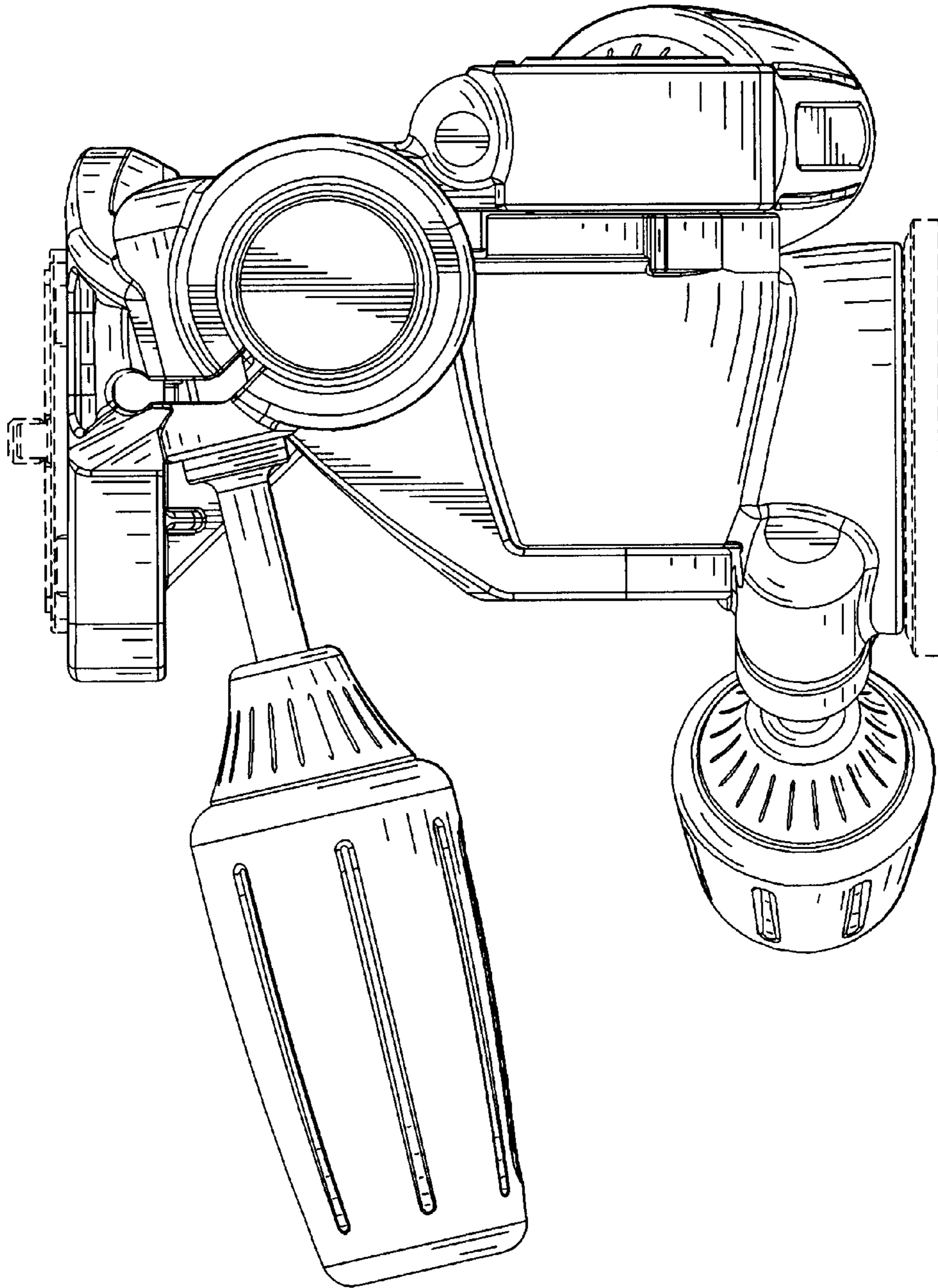


FIG. 7

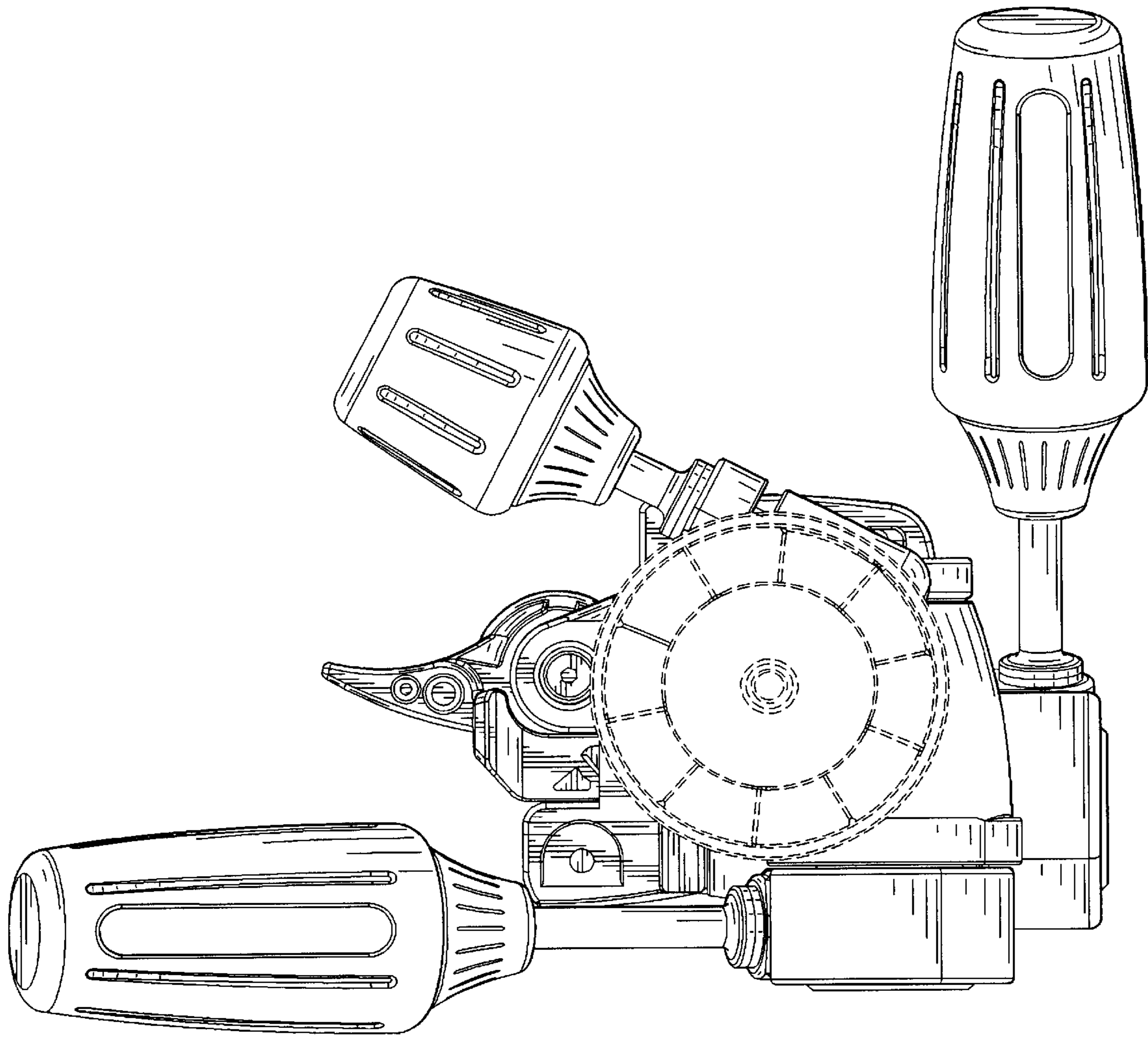


FIG. 8