



US00D537858S

(12) **United States Design Patent**
Griffin et al.

(10) **Patent No.:** **US D537,858 S**

(45) **Date of Patent:** **** Mar. 6, 2007**

(54) **UNDERWATER CAMERA HOUSING**

D438,880 S * 3/2001 Katayama D16/204
D453,177 S * 1/2002 Uehara D16/204
7,082,264 B2 * 7/2006 Watanabe et al. 396/28

(75) Inventors: **Stephanie Griffin**, Encinitas, CA (US);
Michael F. Bilotta, Fallbrook, CA
(US); **Allan Donley**, San Diego, CA
(US); **James Pena**, Encinitas, CA (US);
Steven Ogles, Coronado, CA (US);
Veronica Ford, Oceanside, CA (US);
Maria Jose Chiner Dasi, San Diego,
CA (US); **Vicki Chuang**, San Diego,
CA (US)

* cited by examiner

Primary Examiner—Adir Aronovich

(57) **CLAIM**

The ornamental design for an underwater camera housing, as shown and described.

DESCRIPTION

(73) Assignee: **Hewlett-Packard Development Company, LP.**, Houston, TX (US)

FIG. 1 is a front elevation view of an underwater camera housing;

(**) Term: **14 Years**

FIG. 2 is a rear elevation view thereof;

(21) Appl. No.: **29/235,557**

FIG. 3 is a left elevation view thereof;

(22) Filed: **Aug. 2, 2005**

FIG. 4 is a right elevation view thereof;

(51) **LOC (8) Cl.** **16-01**

FIG. 5 is a top plan view thereof;

(52) **U.S. Cl.** **D16/204**; 396/27

FIG. 6 is a bottom plan view thereof;

(58) **Field of Classification Search** D3/267;
D16/200–206, 208, 218; 206/316.1, 316.2;
396/25–29, 535–541

FIG. 7 is a top, right, front perspective view thereof;

See application file for complete search history.

FIG. 8 is a top, left, rear perspective view thereof;

(56) **References Cited**

U.S. PATENT DOCUMENTS

D419,296 S * 1/2000 Shinano D3/267
D424,085 S * 5/2000 Naito D16/202

FIG. 9 is a top, right, rear perspective view thereof;

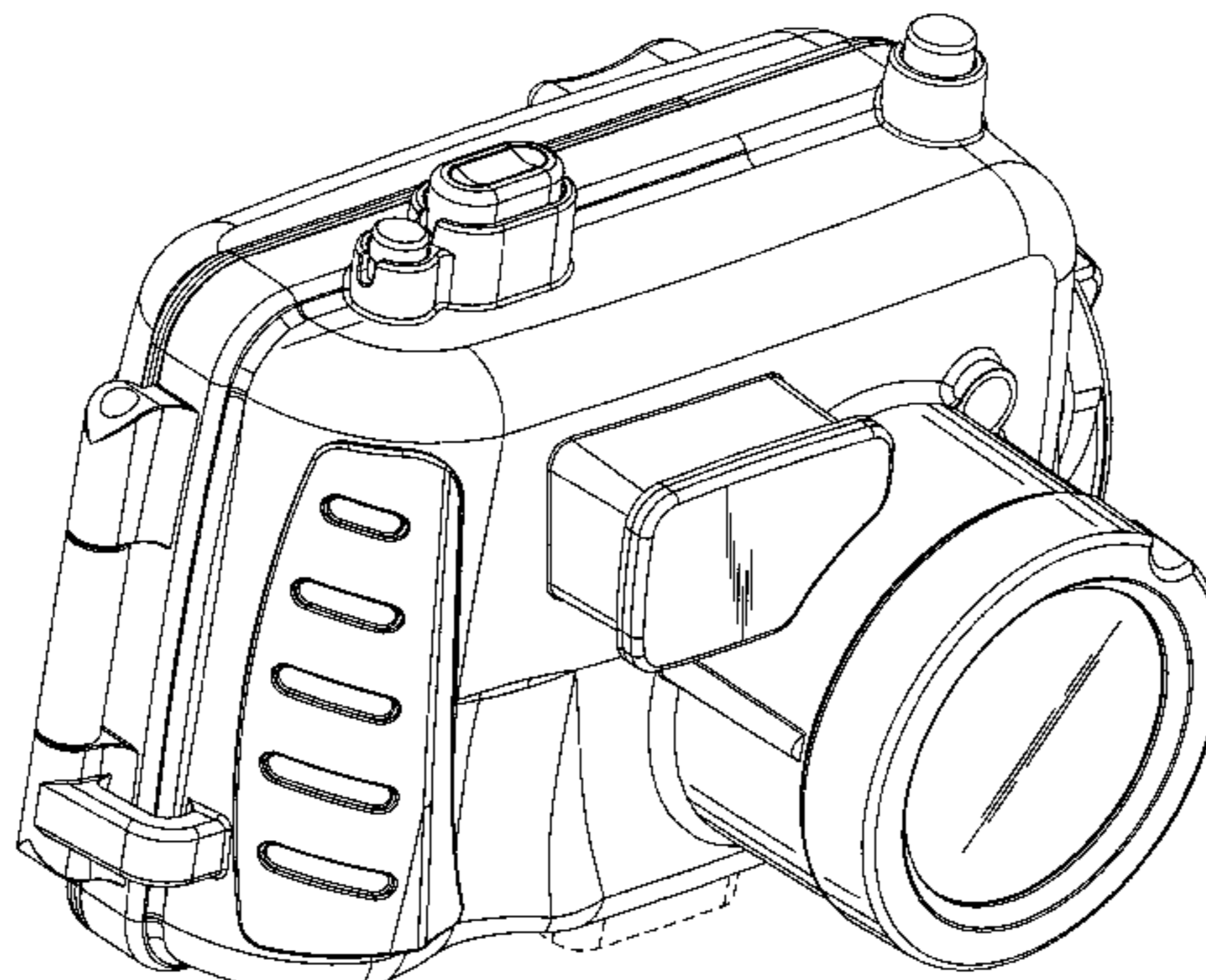
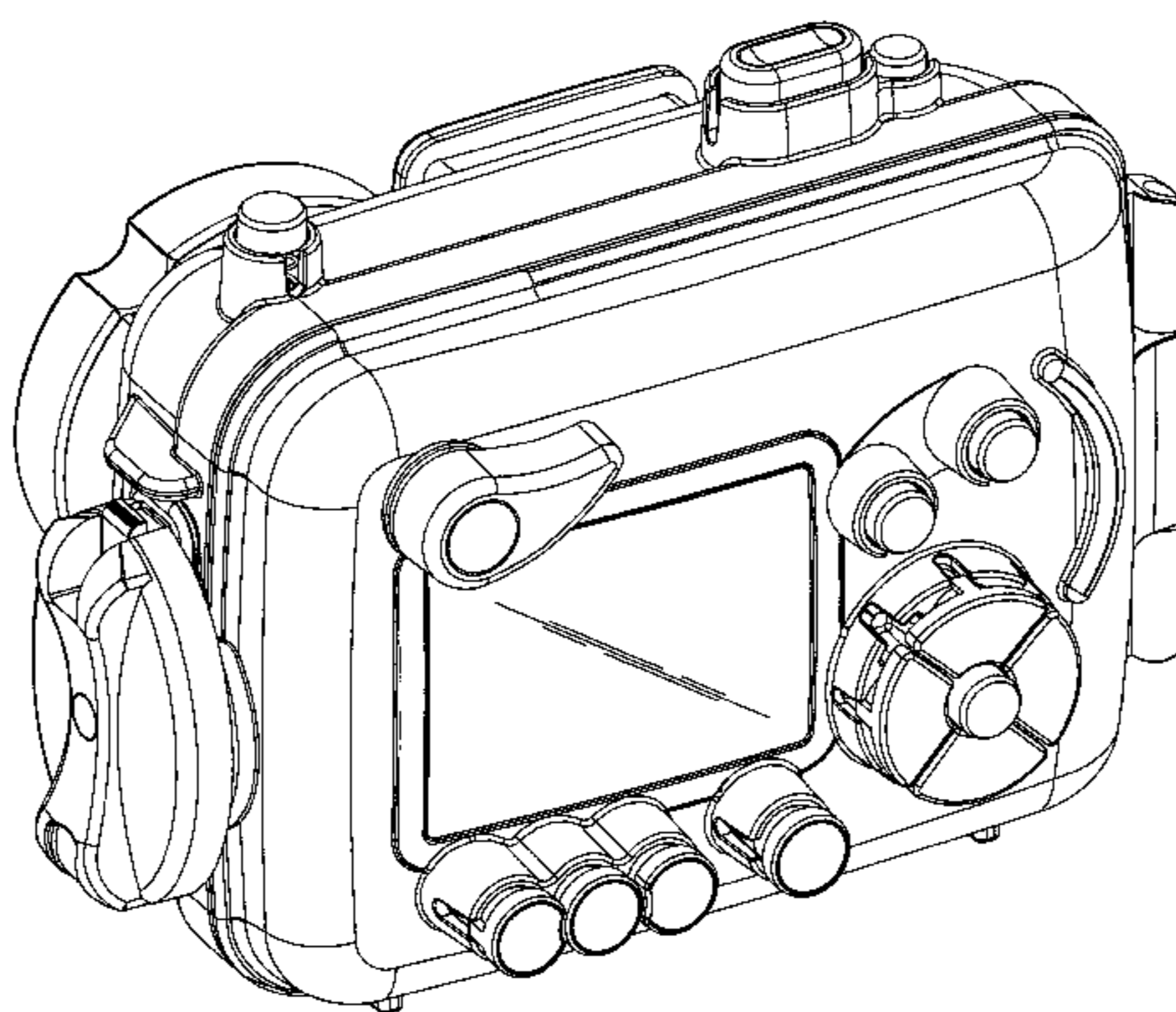
FIG. 10 is a bottom, left, front perspective view thereof;

FIG. 11 is a bottom, right, front perspective view thereof;
and,

FIG. 12 is a top, left, front perspective view thereof.

The portions of the camera in broken lines are shown for illustrative purposes only and form no part of the claimed design.

1 Claim, 12 Drawing Sheets



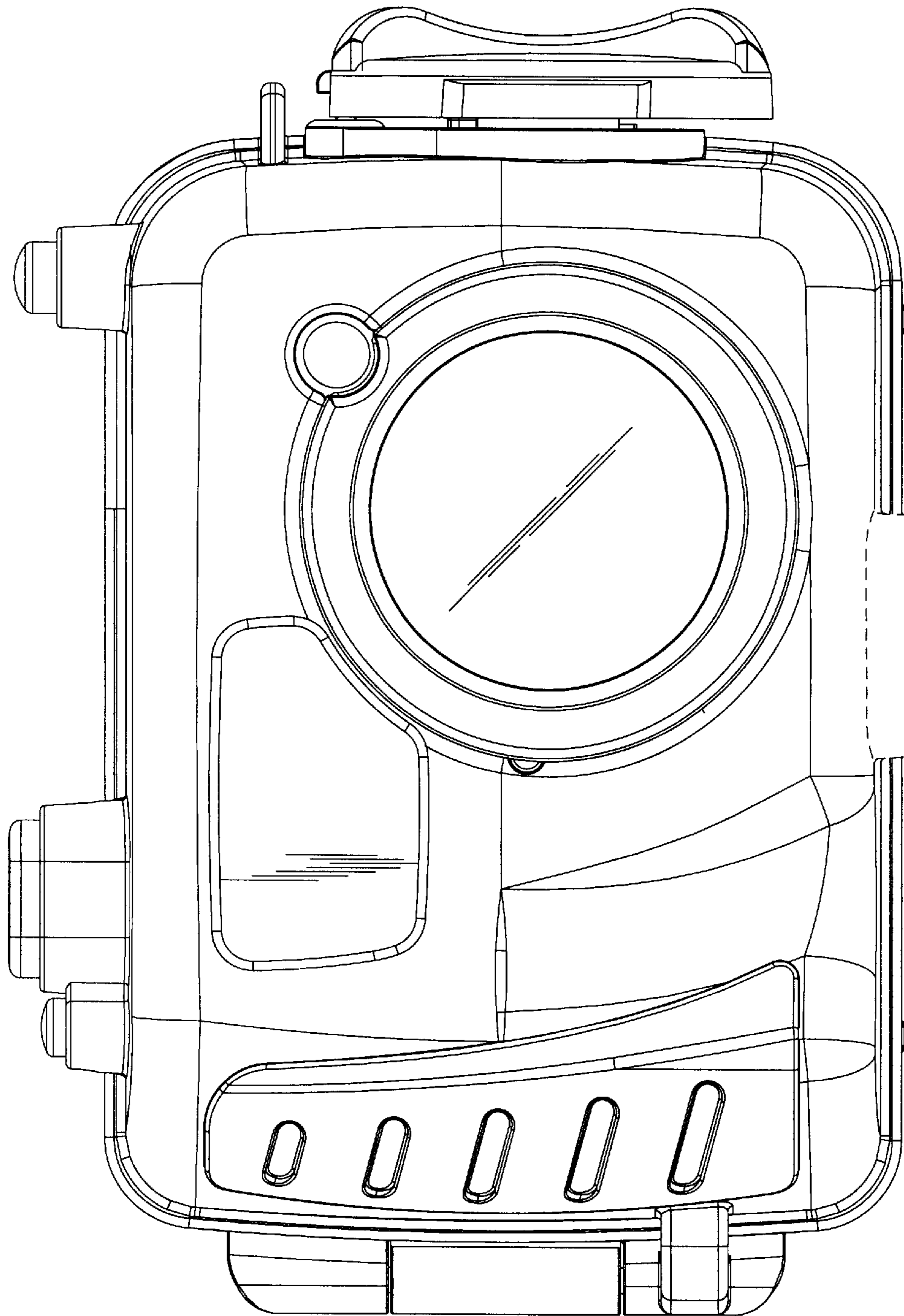


FIG. 1

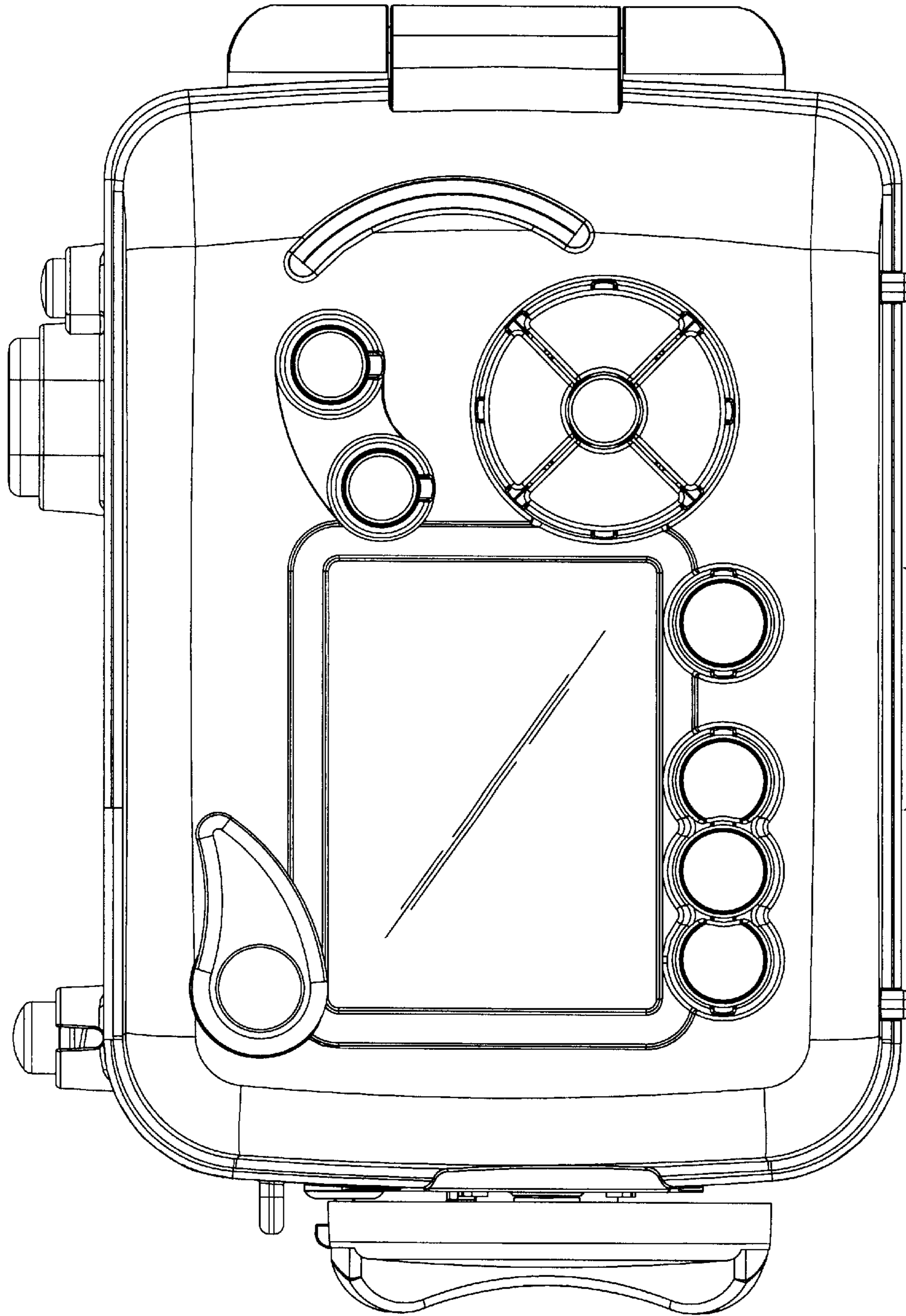


FIG. 2

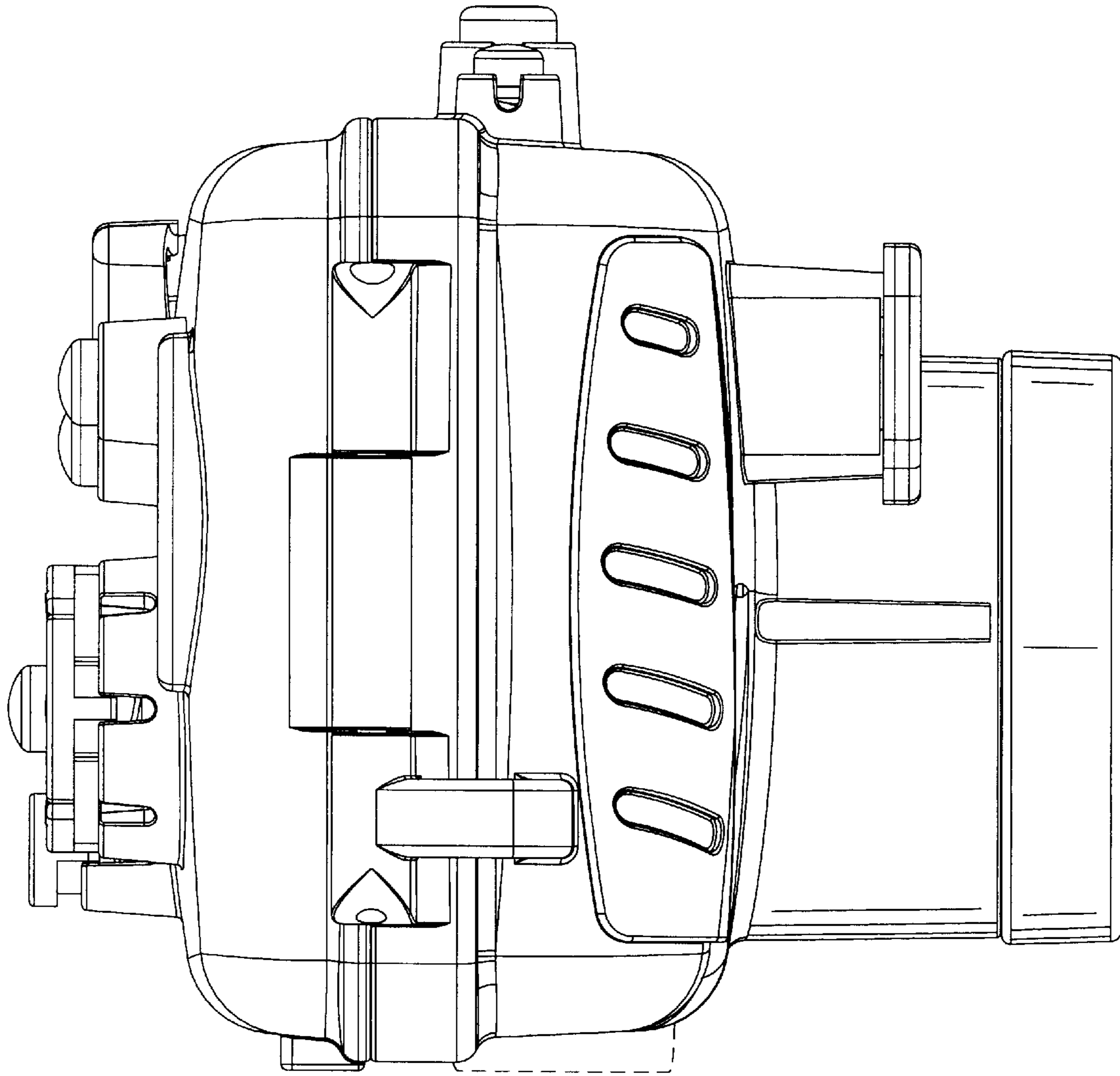


FIG. 3

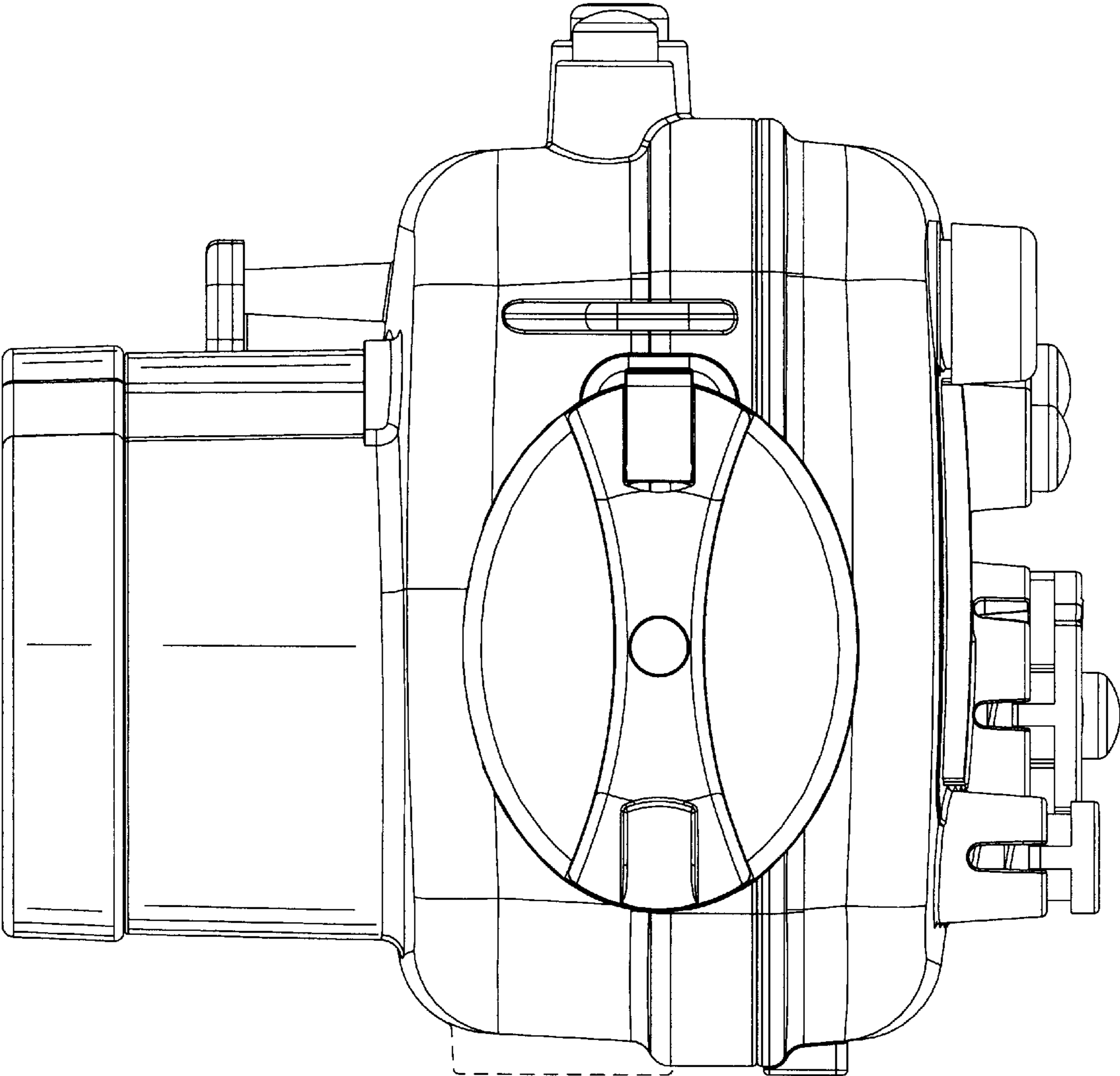


FIG. 4

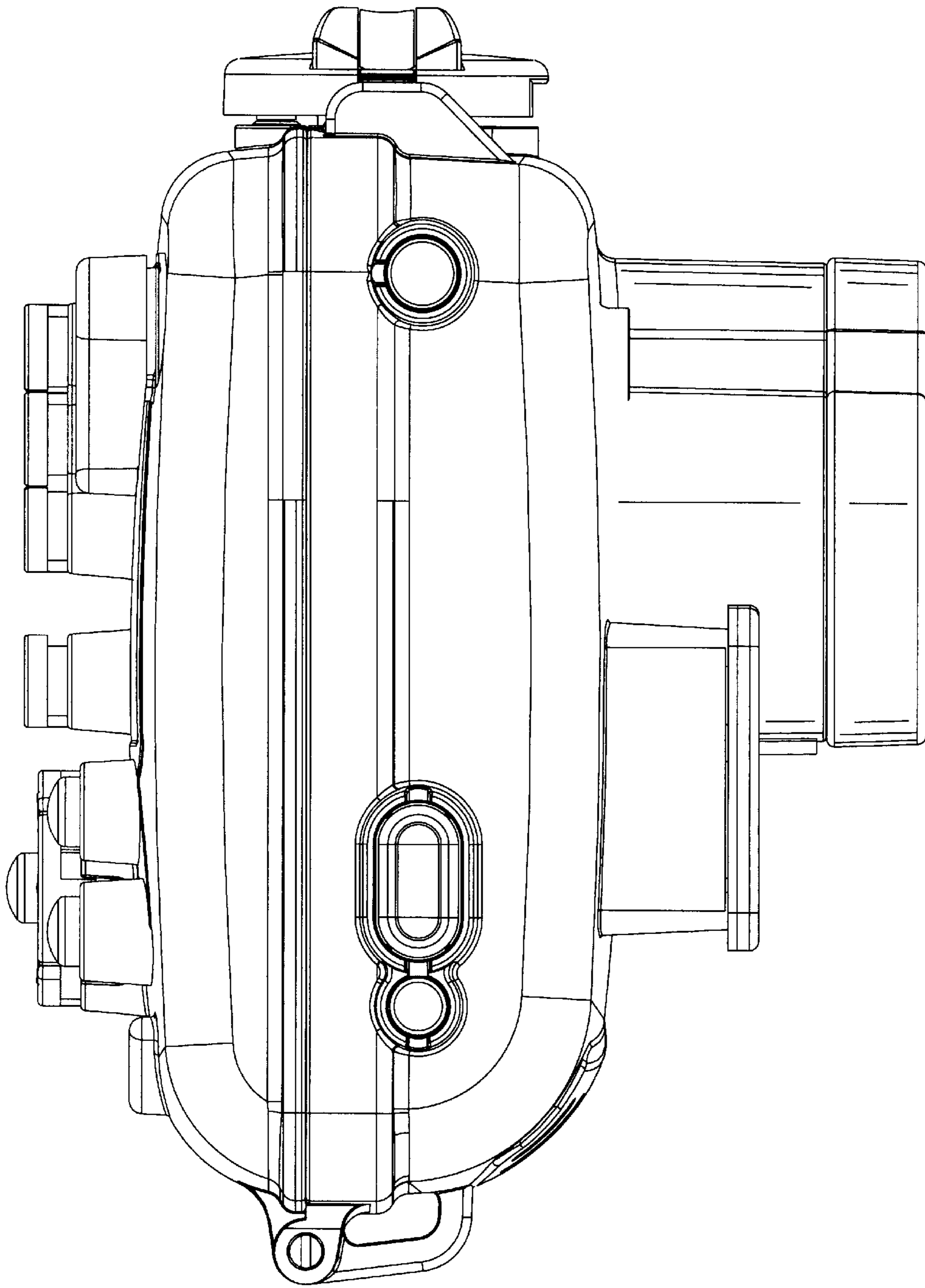


FIG. 5

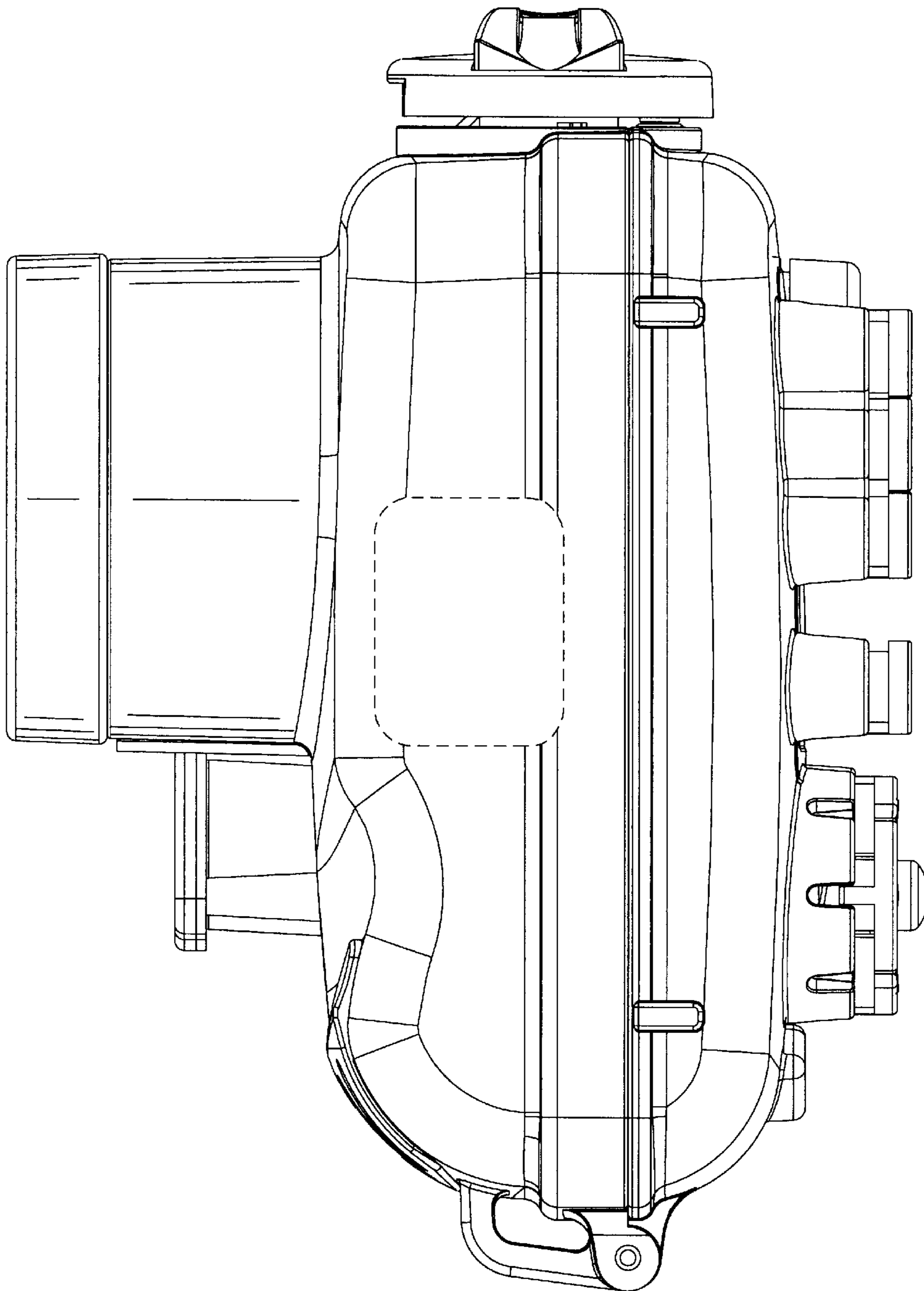


FIG. 6

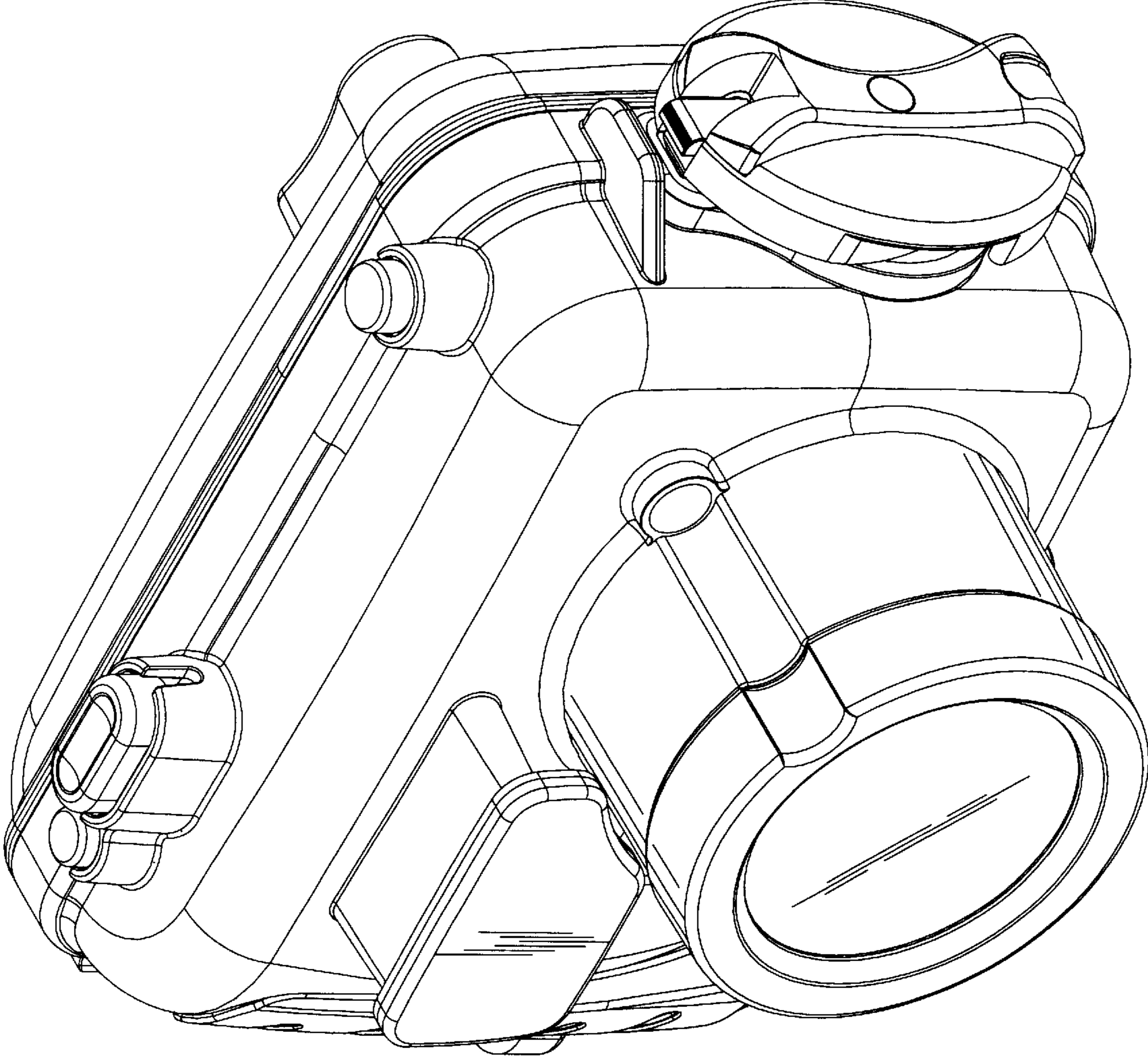


FIG. 7

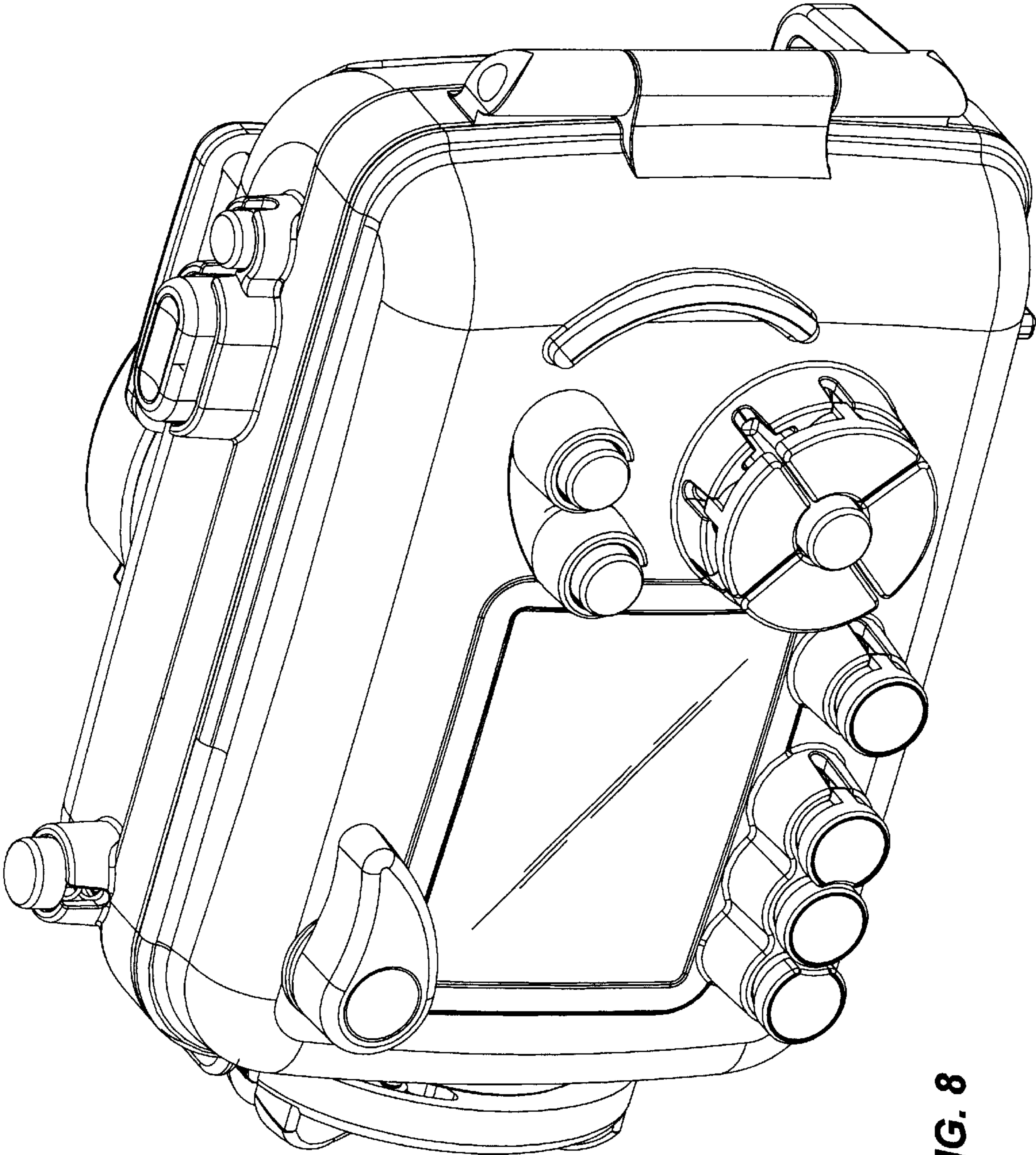


FIG. 8

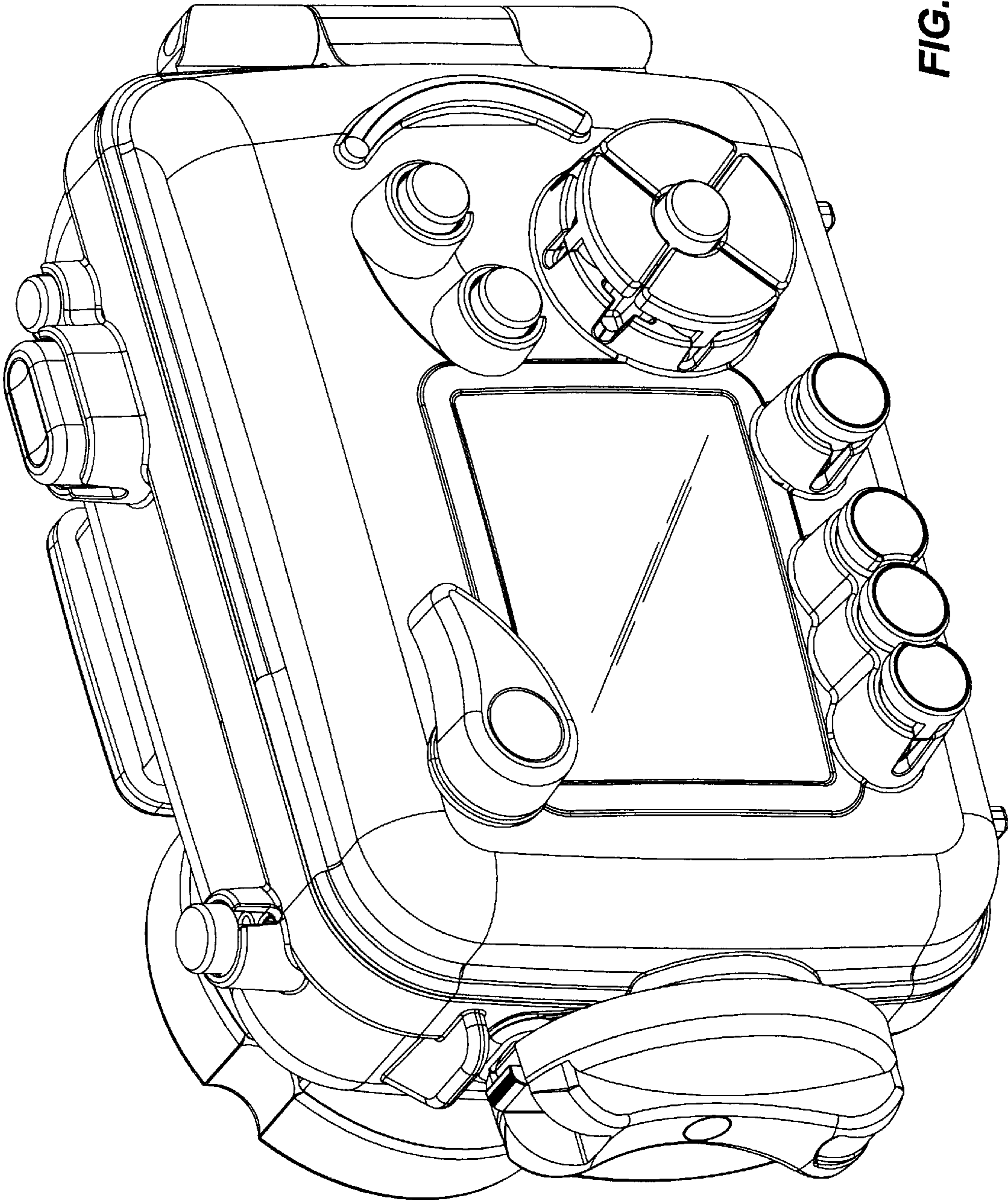


FIG. 9

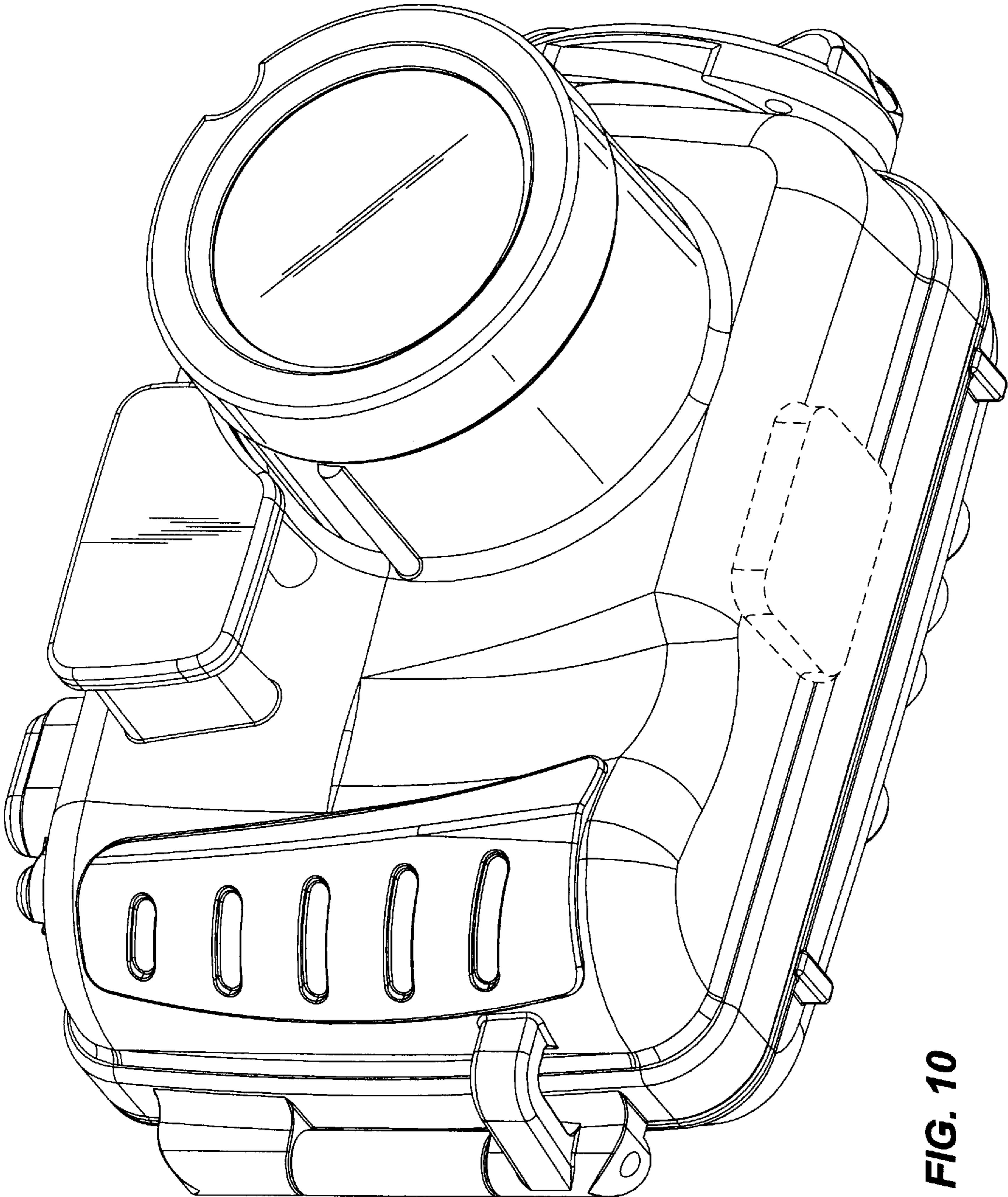


FIG. 10

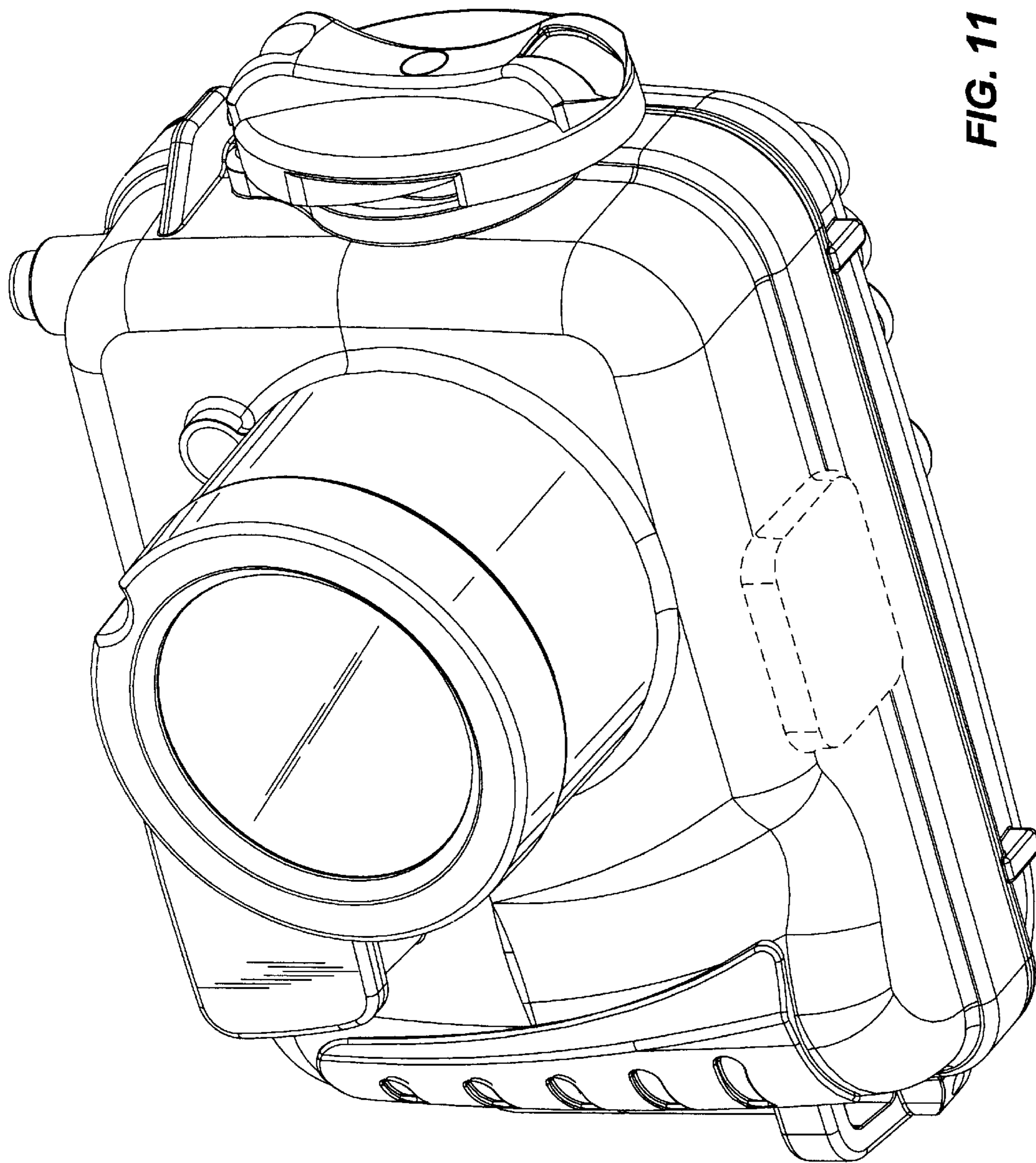


FIG. 11

FIG. 12

