



US00D537856S

(12) **United States Design Patent**
Tsao

(10) **Patent No.:** **US D537,856 S**
(45) **Date of Patent:** **** Mar. 6, 2007**

(54) **USB MONITOR**

6,411,332 B1 * 6/2002 Whitby et al. 348/376

(75) Inventor: **Robert Tsao**, Taipei (TW)

FOREIGN PATENT DOCUMENTS

(73) Assignee: **Good Way Technology Co., Ltd** (TW)

DE 4135671 * 5/1993

(**) Term: **14 Years**

* cited by examiner

Primary Examiner—Adir Aronovich

(21) Appl. No.: **29/228,966**

(57) **CLAIM**

(22) Filed: **May 2, 2005**

The ornamental design for a USB monitor, as shown and described.

(51) **LOC (8) Cl.** **16-01**

(52) **U.S. Cl.** **D16/202; 248/160**

(58) **Field of Classification Search** D16/200–205,
D16/208, 218, 242; 348/373–376; 396/419,
396/428, 535, 541

DESCRIPTION

See application file for complete search history.

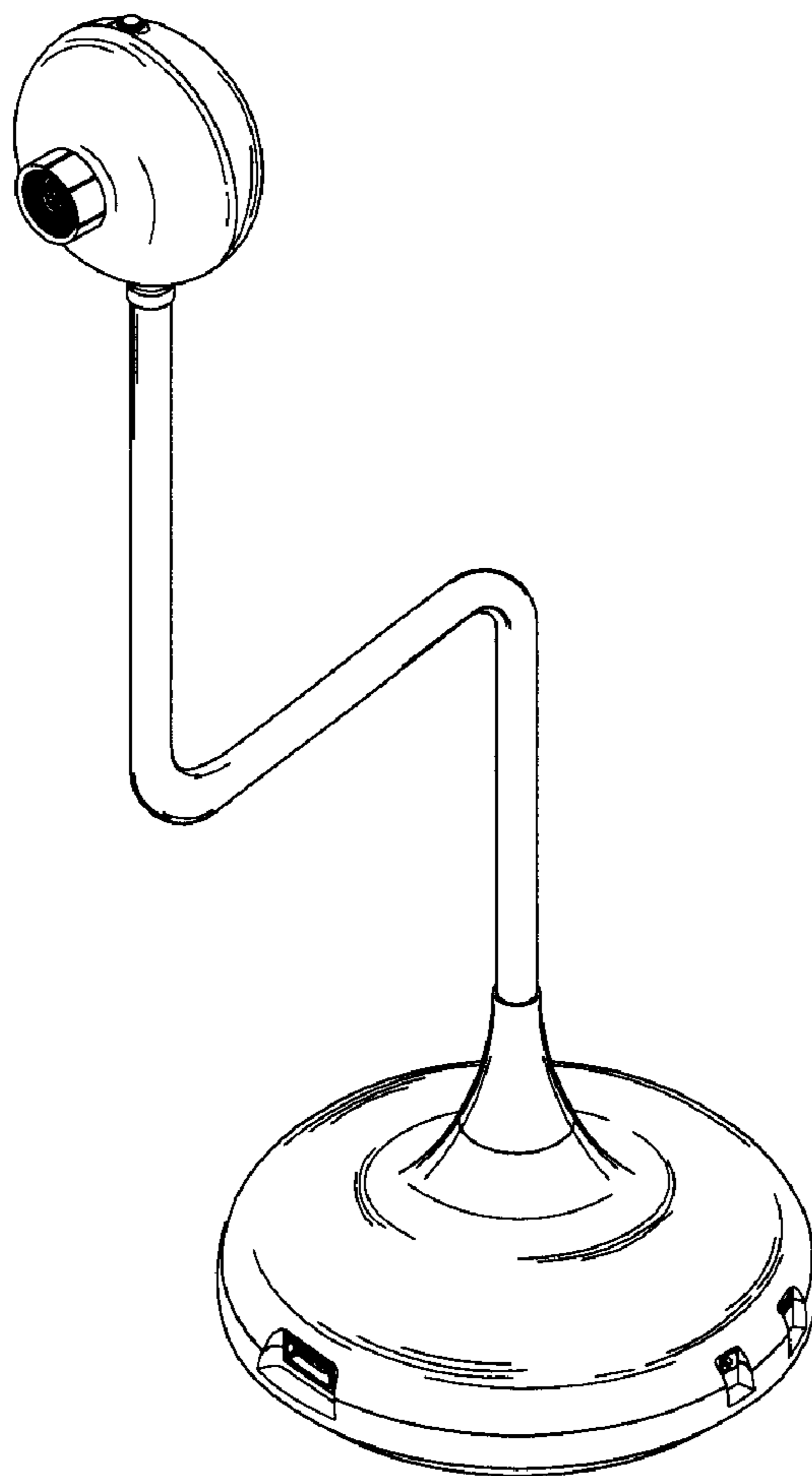
FIG. 1 is a perspective view of a USB monitor;
FIG. 2 is a front elevation thereof;
FIG. 3 is a rear elevation thereof;
FIG. 4 is a left side elevation thereof;
FIG. 5 is a right side elevation thereof;
FIG. 6 is a top plan view thereof;
FIG. 7 is a bottom view thereof; and,
FIG. 8 is a perspective view thereof, showing the USB
monitor in the operational position.

(56) **References Cited**

U.S. PATENT DOCUMENTS

- D373,355 S * 9/1996 Huang et al. D16/202
- D375,319 S * 11/1996 Johnson et al. D16/202
- D377,032 S * 12/1996 Morooka D16/202
- D446,533 S * 8/2001 Gatto D16/202

1 Claim, 5 Drawing Sheets



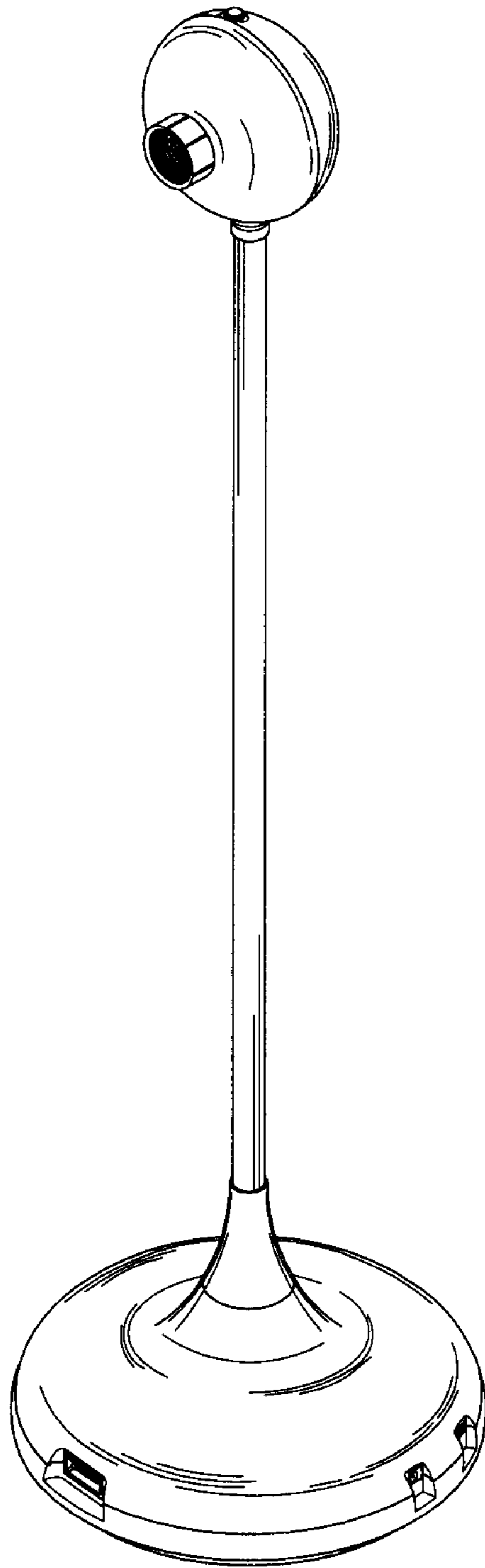


Fig. 1

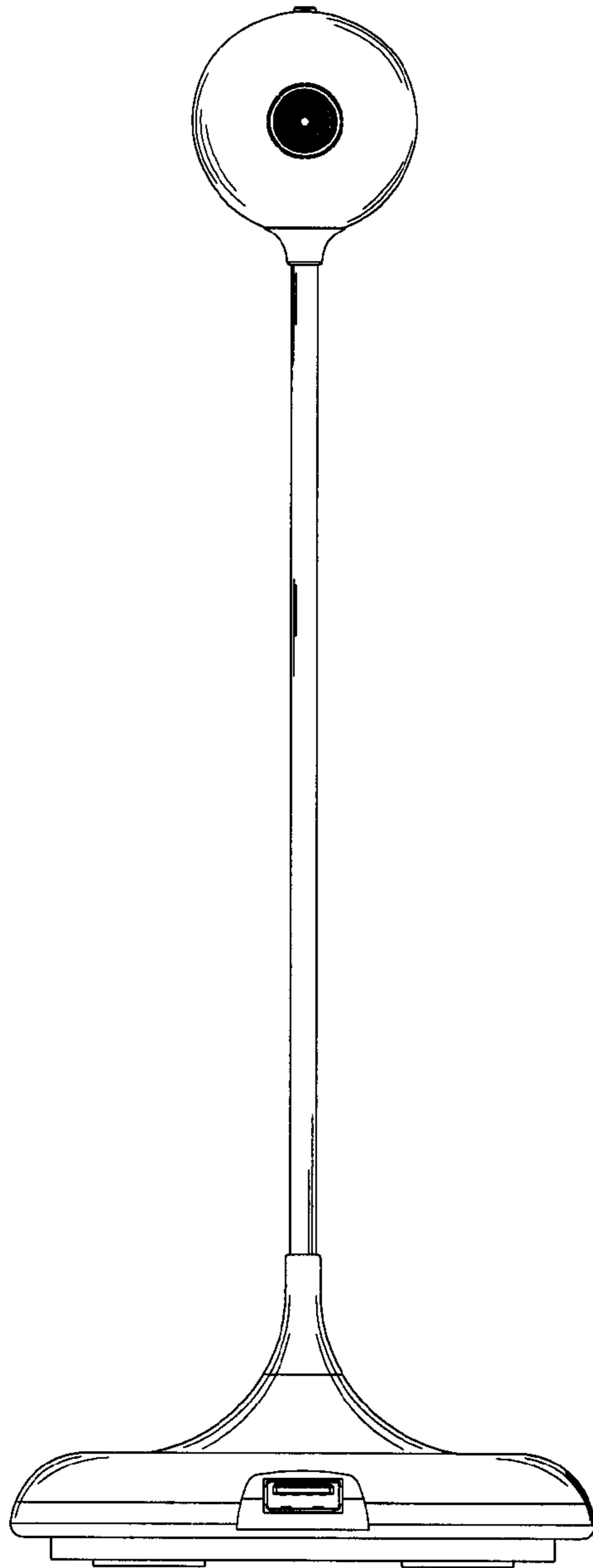


Fig. 2

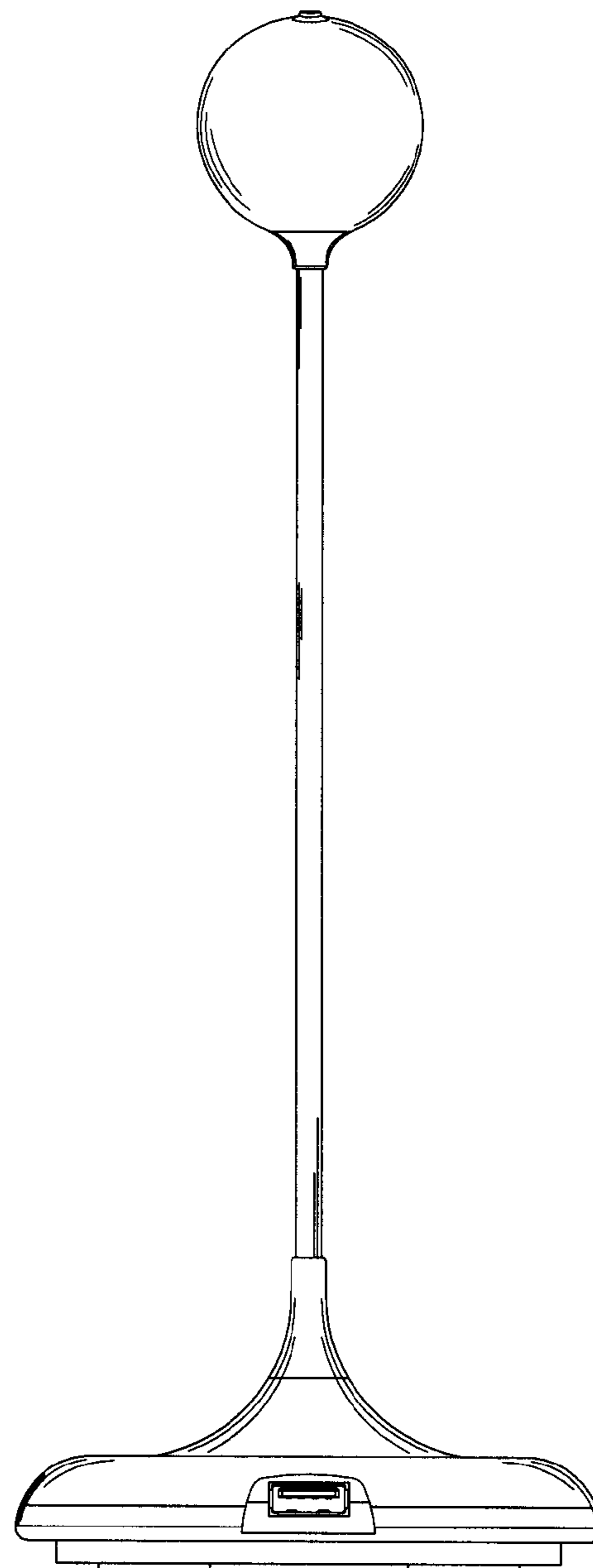


Fig. 3

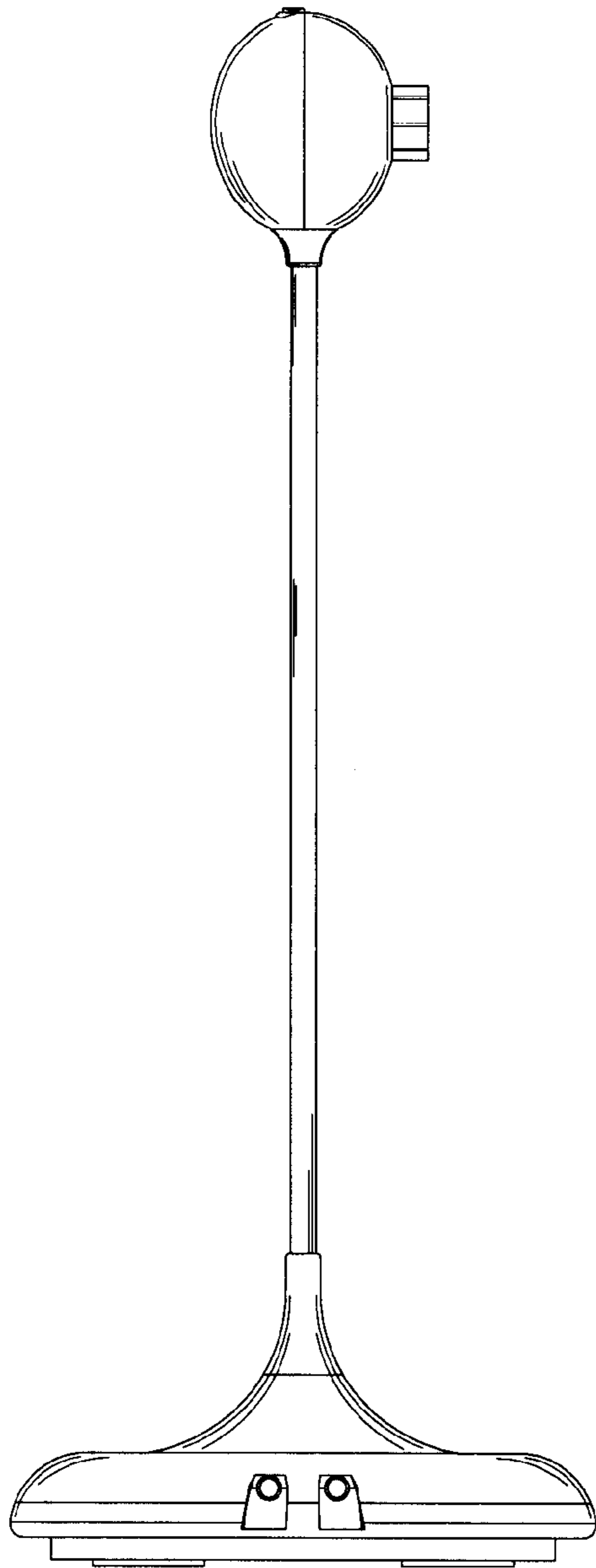


Fig. 4

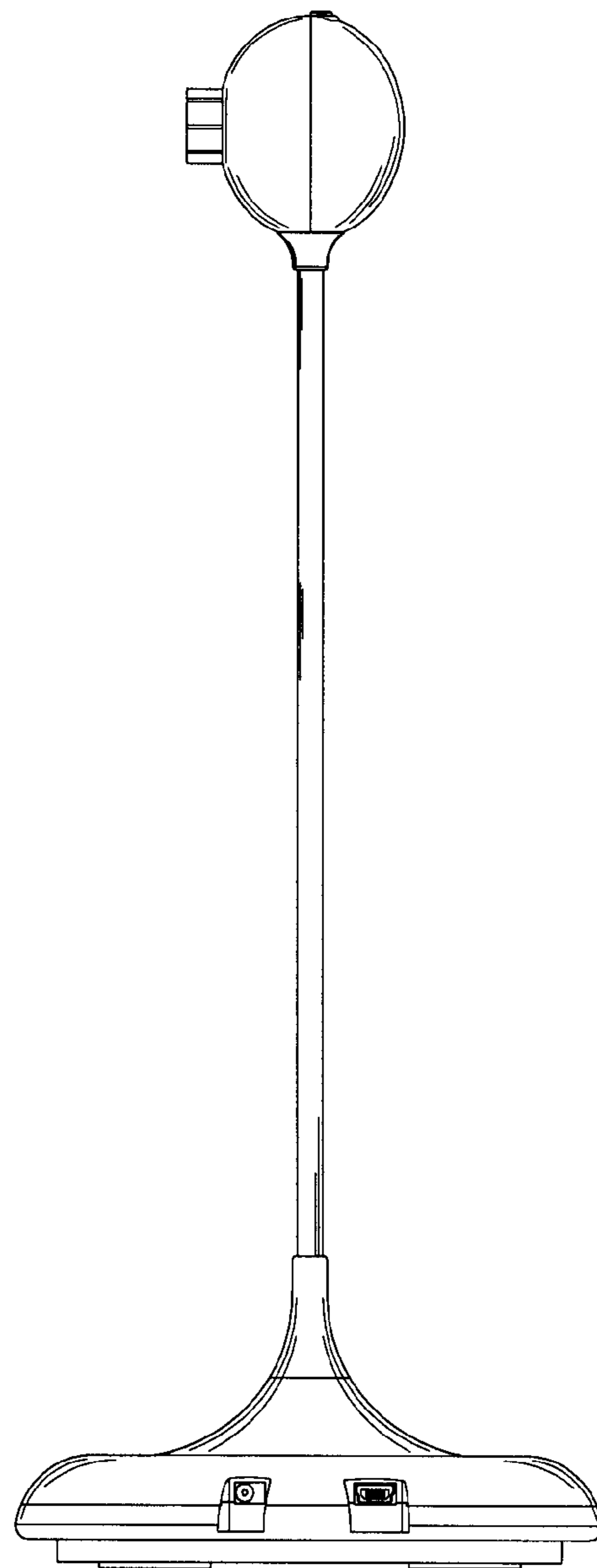


Fig. 5

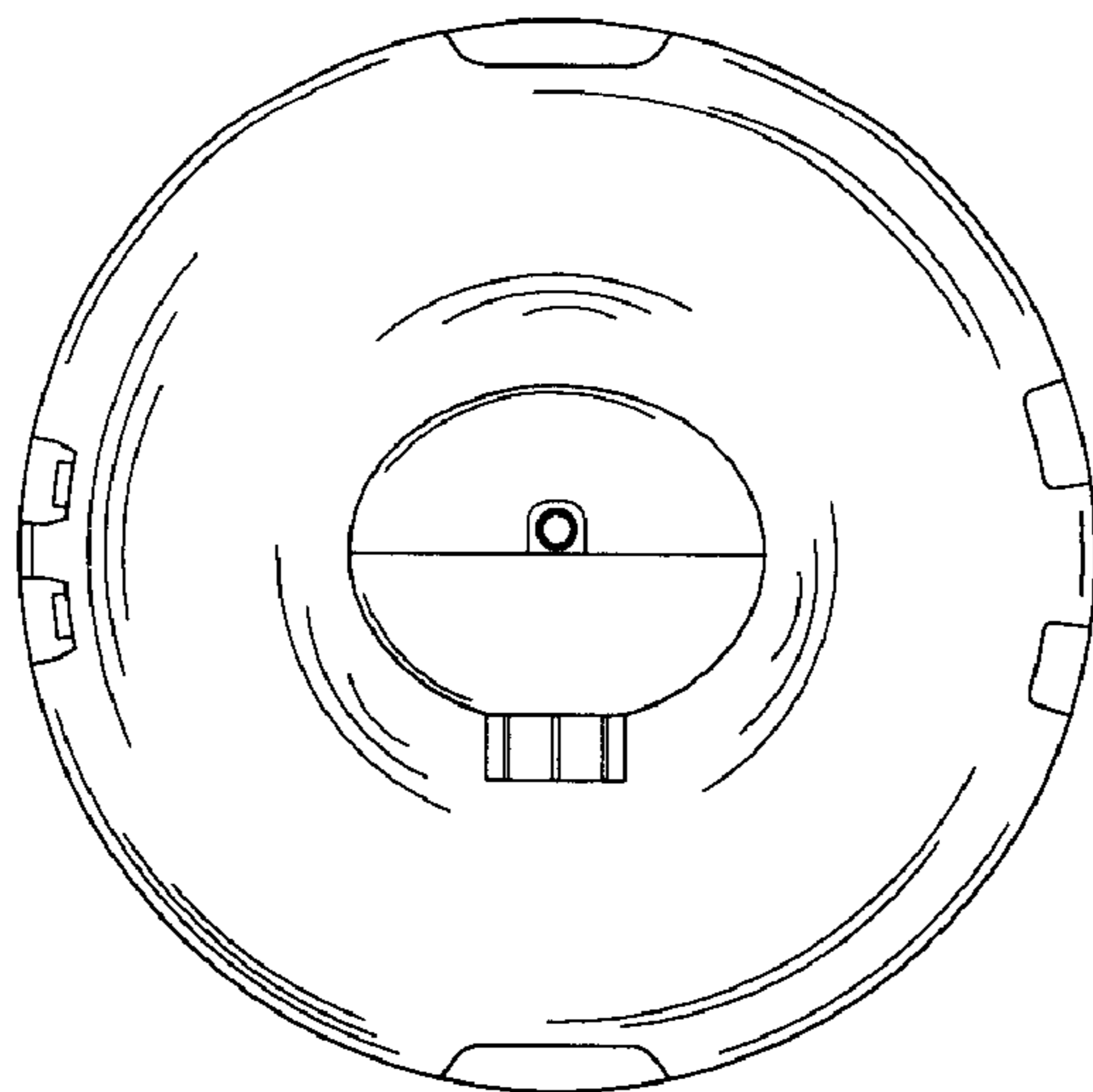


Fig. 6

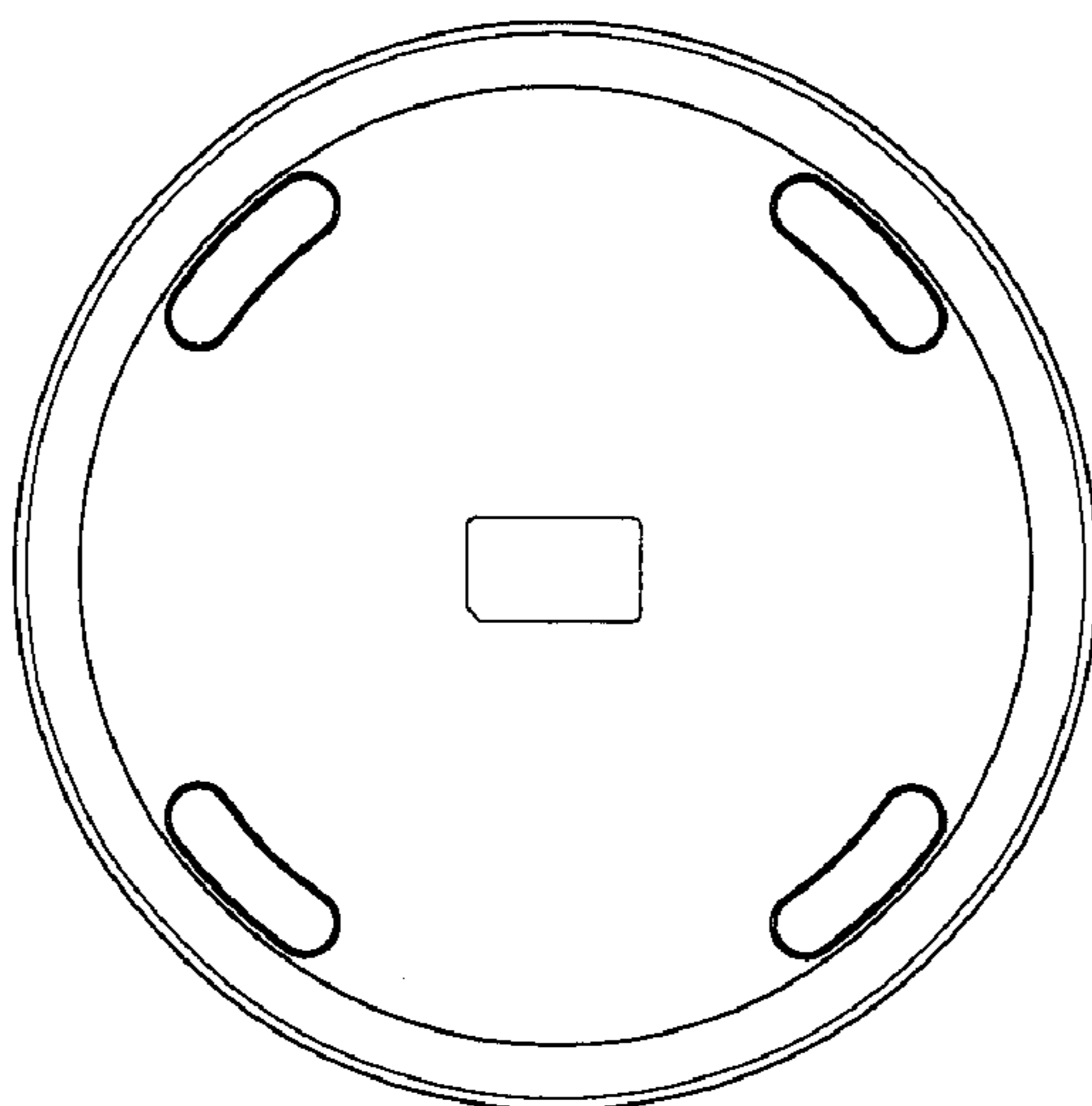


Fig. 7

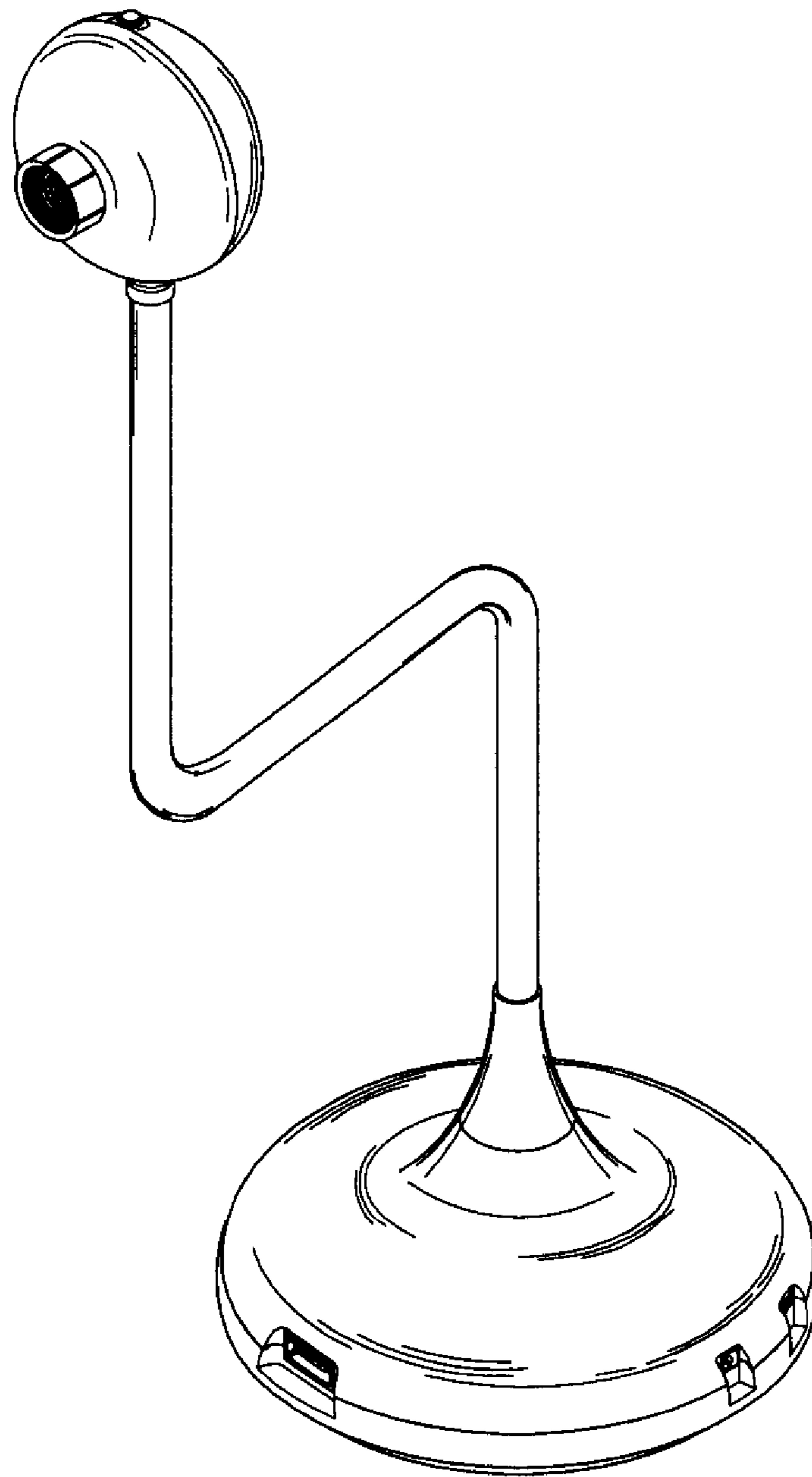


Fig. 8