

US00D537853S

(12) **United States Design Patent**  
**Liu et al.**

(10) **Patent No.:** **US D537,853 S**  
(45) **Date of Patent:** **\*\* Mar. 6, 2007**

(54) **TABLE SAW**

(75) Inventors: **Chia-Sheng Liu**, Chiayi County (TW);  
**Yu-Feng Chan**, Kaohsiung County  
(TW)

(73) Assignee: **Durq Machinery Corp.**, Taichung  
(TW)

(\*\*) **Term:** **14 Years**

(21) Appl. No.: **29/229,111**

(22) Filed: **May 4, 2005**

(30) **Foreign Application Priority Data**

Apr. 14, 2005 (TW) ..... 94302164

(51) **LOC (8) Cl.** ..... **15-09**

(52) **U.S. Cl.** ..... **D15/133**

(58) **Field of Classification Search** ..... D8/20;  
D15/133; 30/377-378, 388-391, 517-525;  
83/417.2, 471.3, 472, 477.1, 477.2, 581  
See application file for complete search history.

(56) **References Cited**

**U.S. PATENT DOCUMENTS**

5,174,349 A \* 12/1992 Svetlik et al. .... 144/286.5

D425,529 S \* 5/2000 Svetlik ..... D15/133  
D442,190 S \* 5/2001 Chen ..... D15/133  
6,986,370 B1 \* 1/2006 Schoene et al. .... 144/287  
7,036,414 B2 \* 5/2006 Behne et al. .... 83/468.7

\* cited by examiner

*Primary Examiner*—Antoine D. Davis

*Assistant Examiner*—Patricia Palasik

(74) *Attorney, Agent, or Firm*—Bacon & Thomas, PLLC

(57) **CLAIM**

The ornamental design for table saw, as shown.

**DESCRIPTION**

FIG. 1 shows a perspective view of the present design.

FIG. 2 shows a right side elevational view of the present design.

FIG. 3 shows a top plan view of the present design.

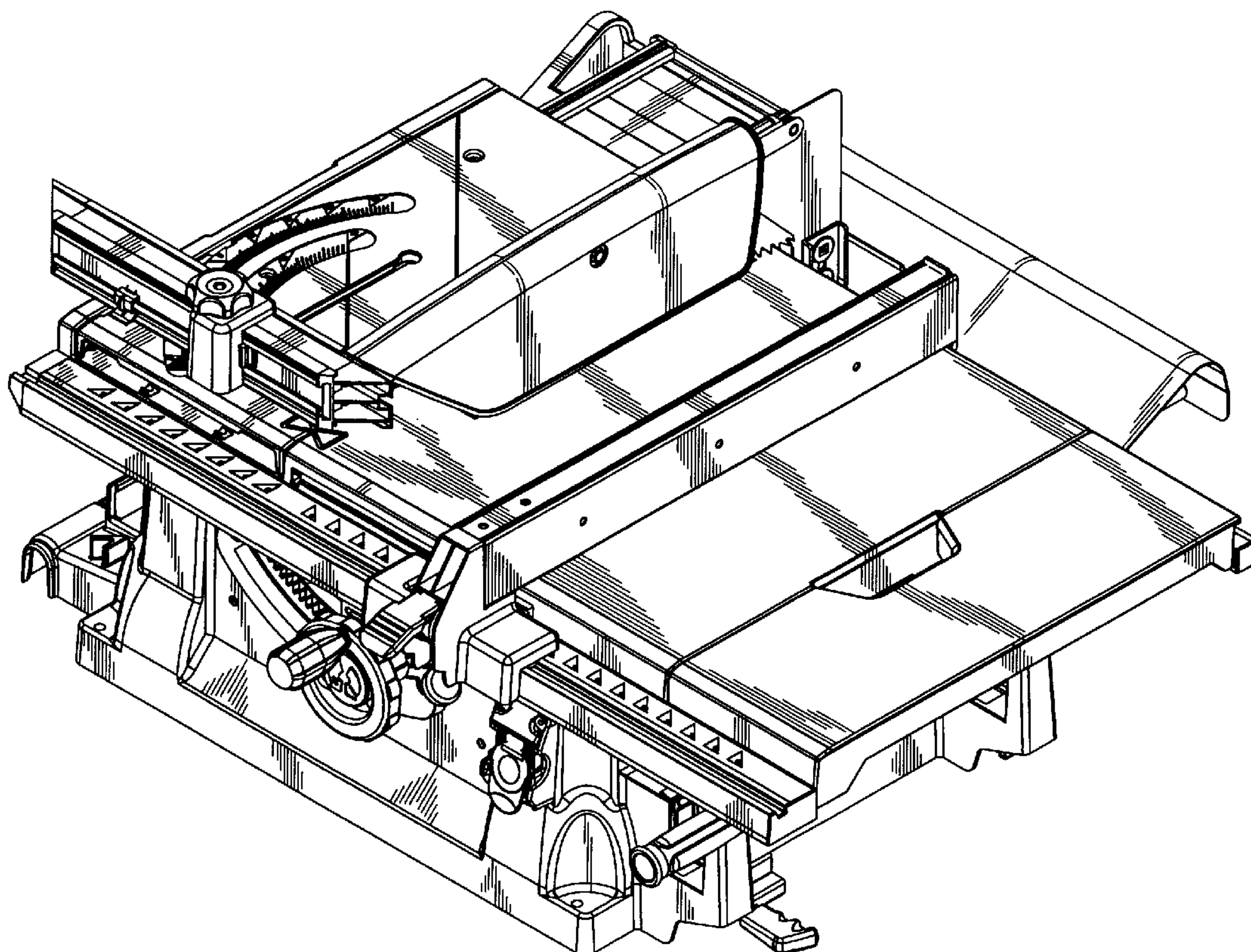
FIG. 4 shows a front elevational view of the present design.

FIG. 5 shows a bottom plan view of the present design.

FIG. 6 shows a left side elevational view of the present design; and,

FIG. 7 shows a rear elevational view of the present design.

**1 Claim, 7 Drawing Sheets**



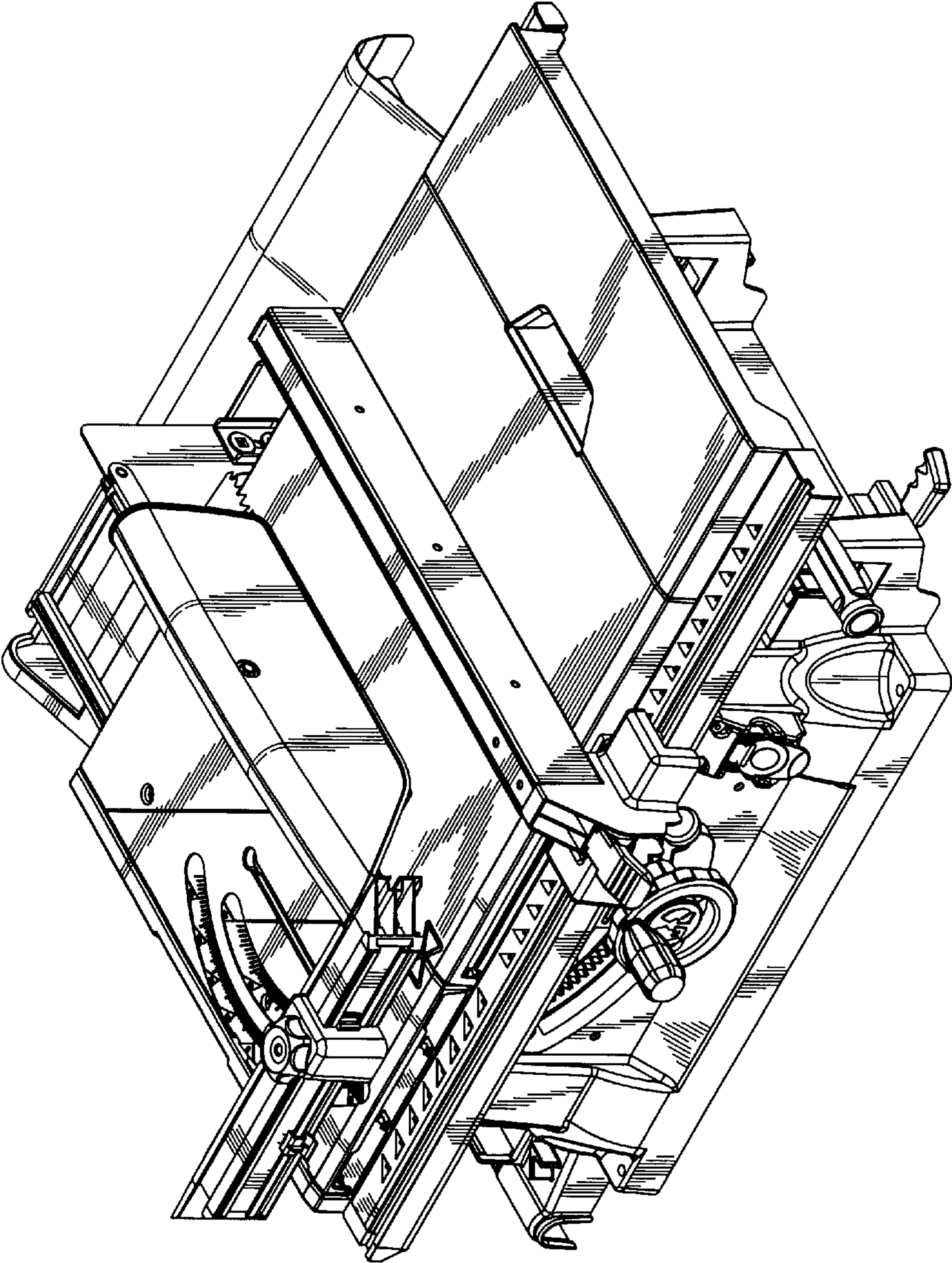


FIG. 1

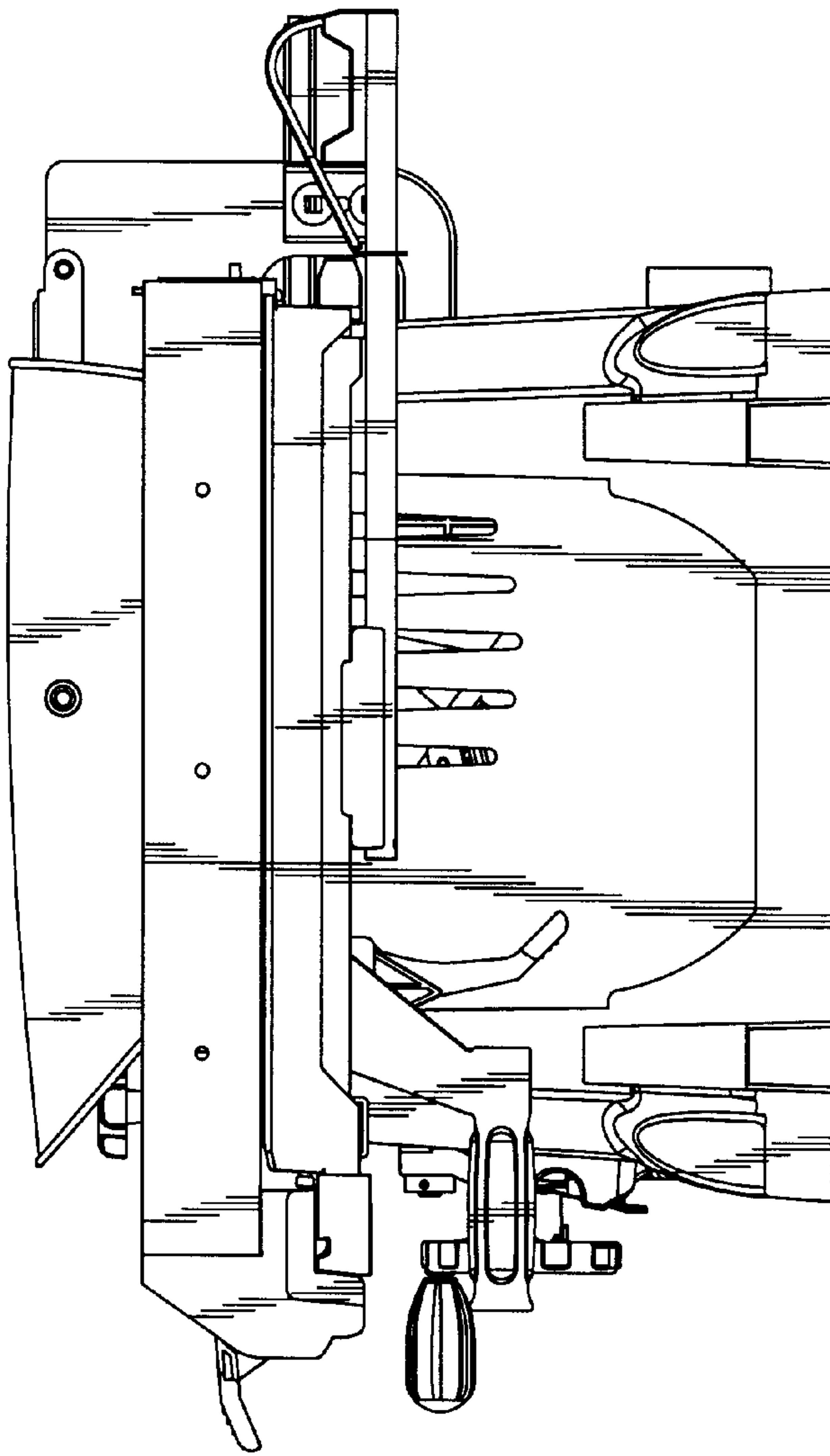


FIG. 2



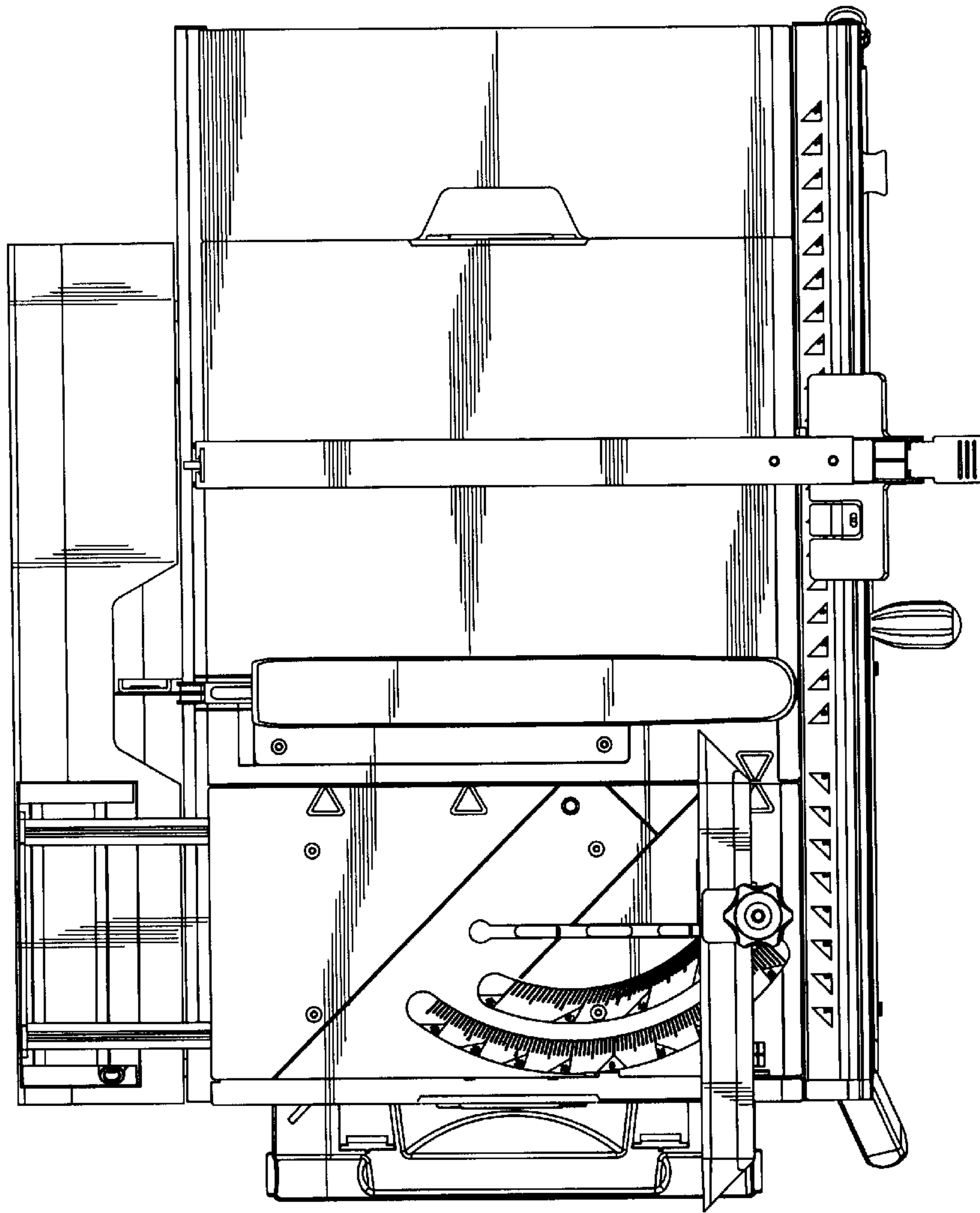


FIG. 3

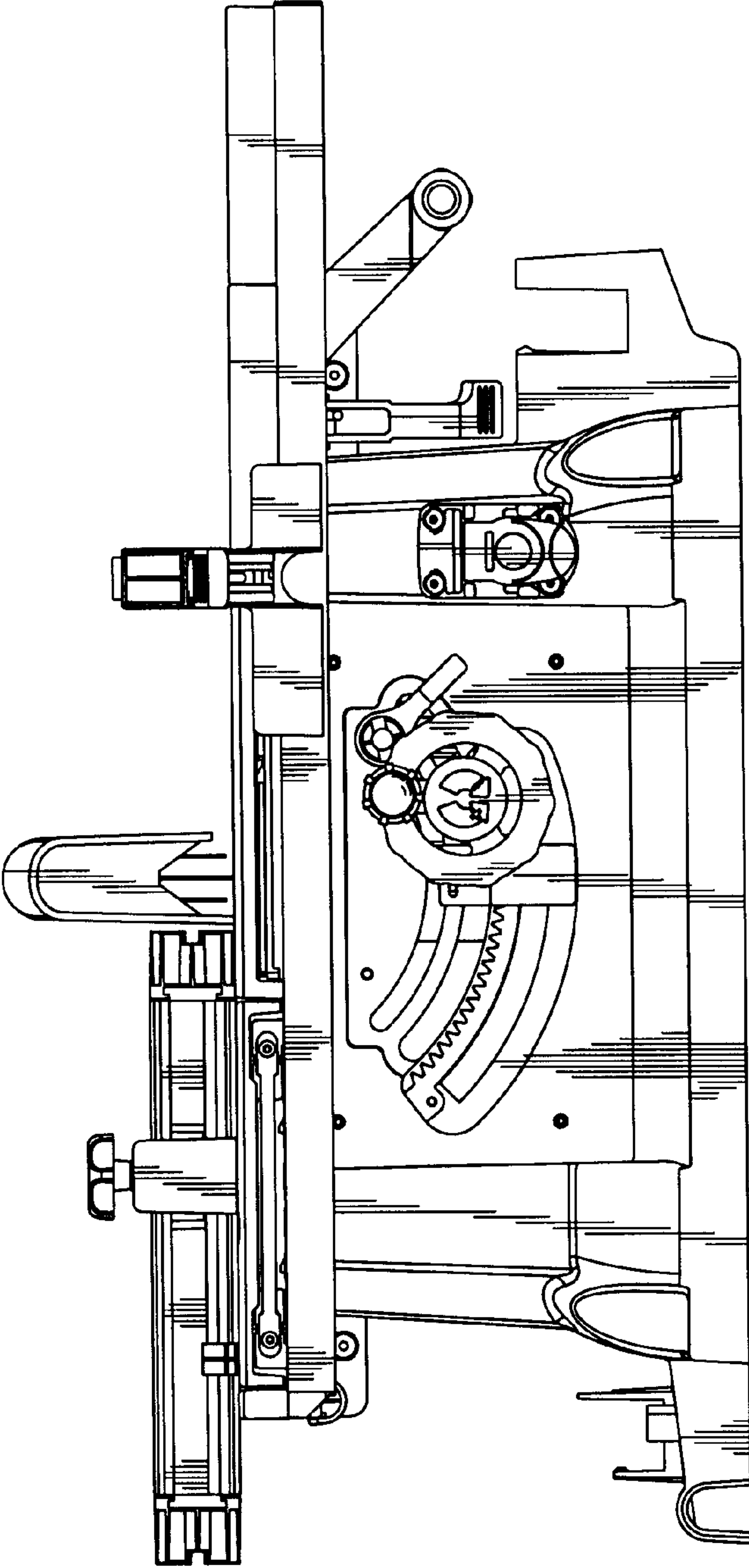


FIG. 4

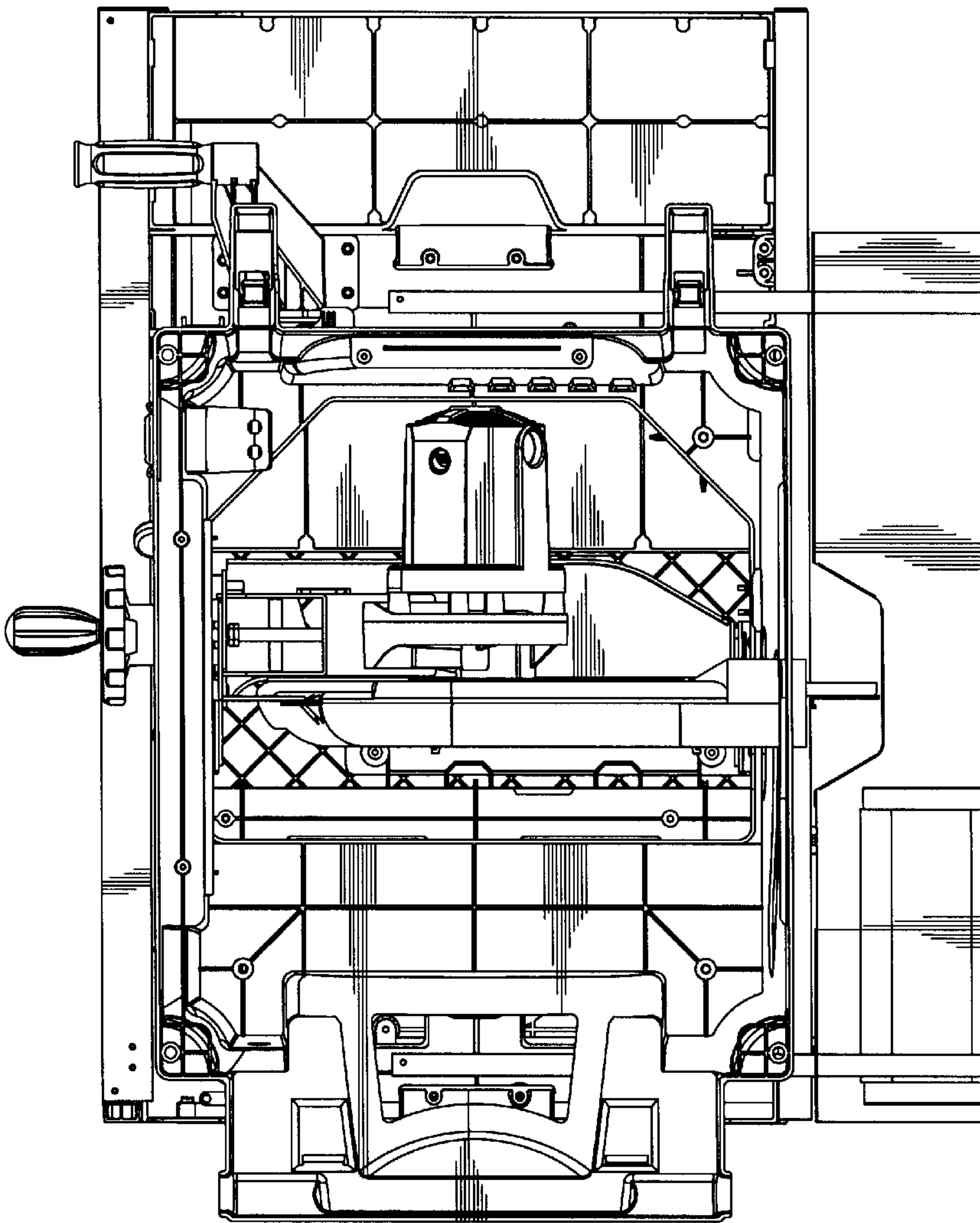


FIG. 5

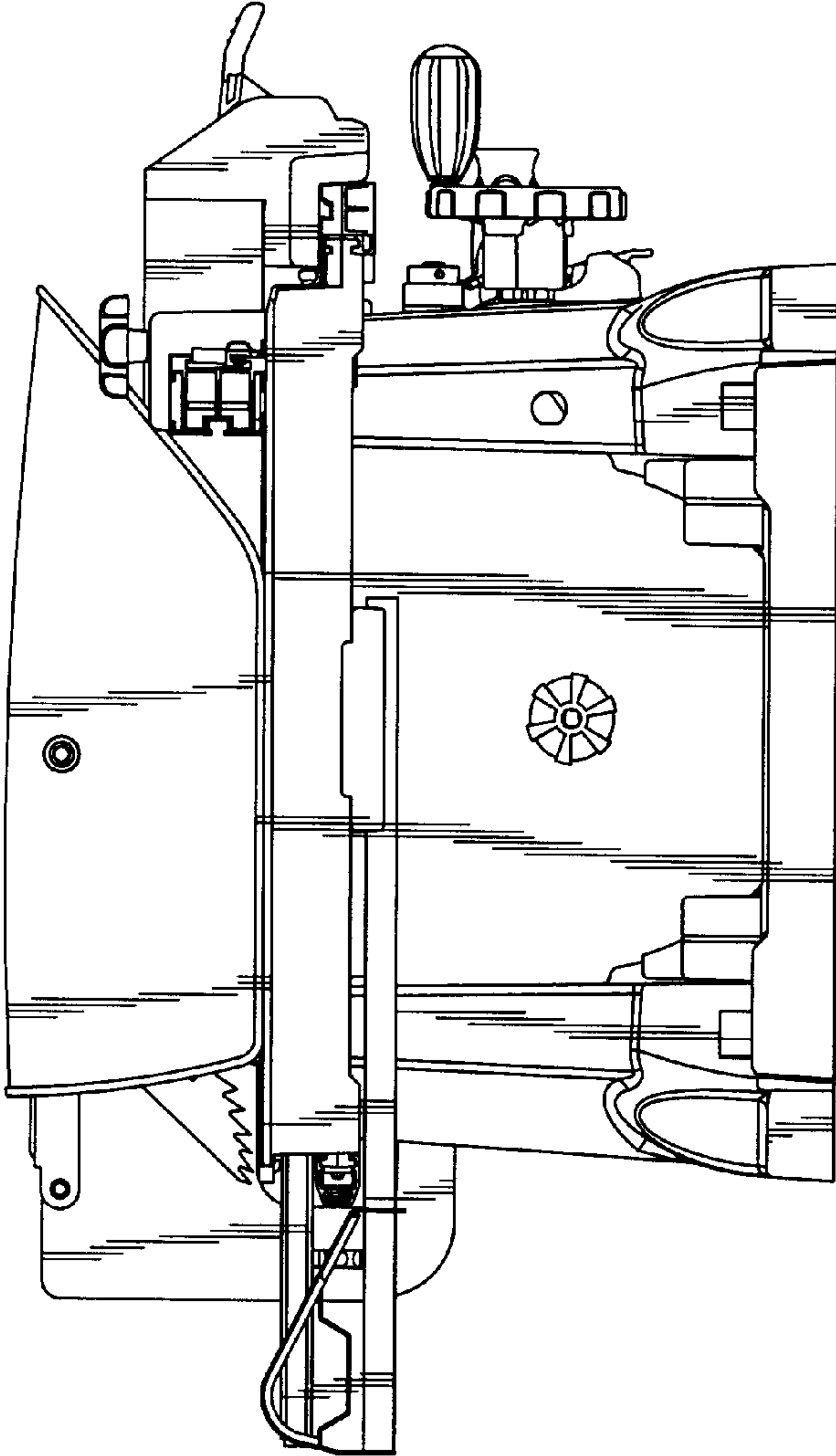


FIG. 6

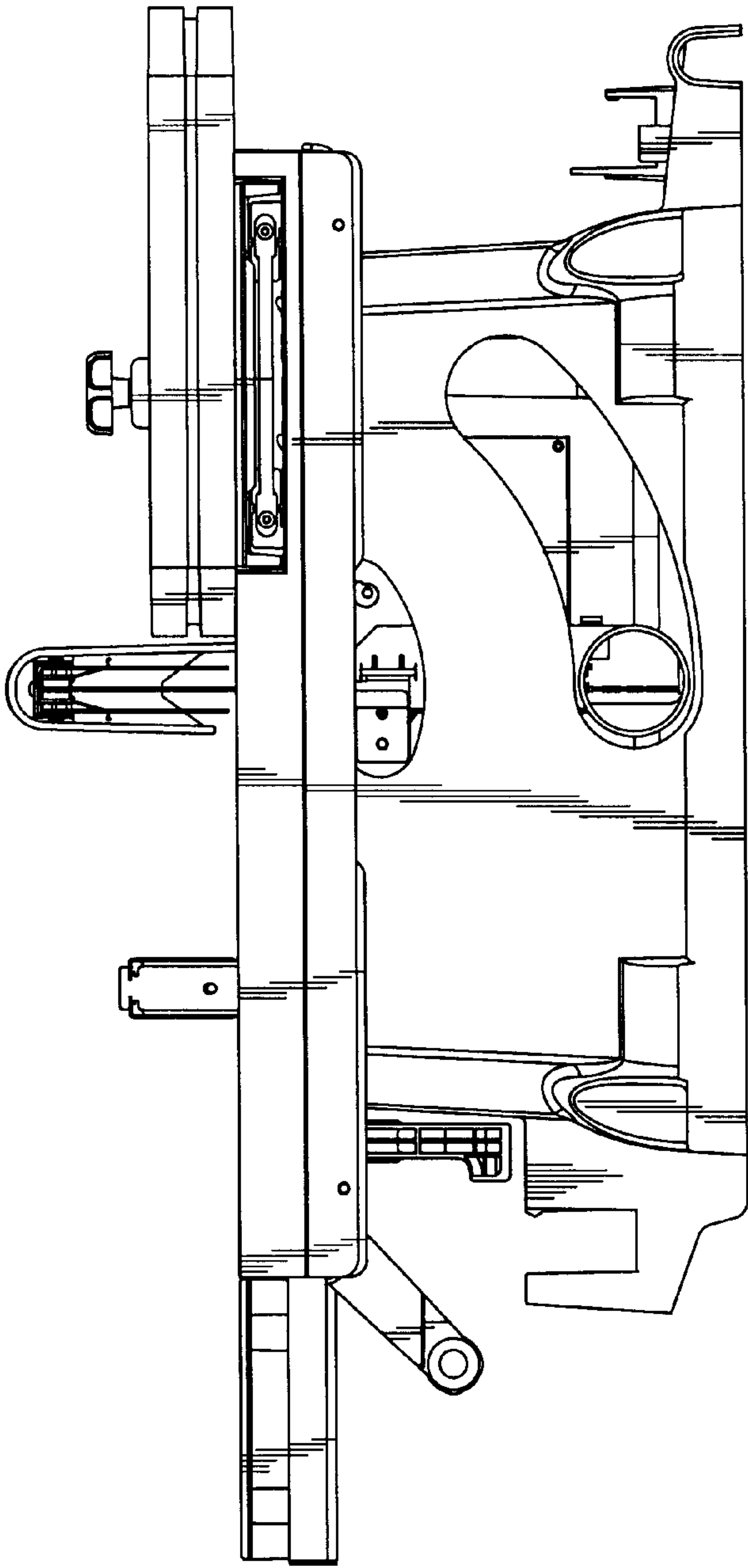


FIG. 7