



US00D537852S

(12) **United States Design Patent**
Czach

(10) **Patent No.:** **US D537,852 S**

(45) **Date of Patent:** **** Mar. 6, 2007**

(54) **FORMED DOOR FOR A REFRIGERATOR**

(75) Inventor: **Matthew G. Czach**, Holland, MI (US)

(73) Assignee: **Whirlpool Corporation**, Benton Harbor, MI (US)

(**) Term: **14 Years**

(21) Appl. No.: **29/258,381**

(22) Filed: **Apr. 20, 2006**

(51) **LOC (8) Cl.** **15-07**

(52) **U.S. Cl.** **D15/91**

(58) **Field of Classification Search** D15/79,
D15/81, 82, 85, 88, 91; 62/3.6, 3.63, 3.64,
62/66, 125, 126, 238.5, 389; 312/116, 138.1,
312/236, 405, 406

See application file for complete search history.

(56) **References Cited**

U.S. PATENT DOCUMENTS

D449,624 S	*	10/2001	Yu	D15/81
D449,625 S	*	10/2001	Yu	D15/81
D470,156 S	*	2/2003	Resuello et al.	D15/91
D477,340 S	*	7/2003	Kim et al.	D15/85
D496,373 S	*	9/2004	Jang	D15/85
D508,502 S	*	8/2005	Moseley	D15/91

D520,535 S	*	5/2006	Lee et al.	D15/91
D524,832 S	*	7/2006	Kim et al.	D15/85
D525,993 S	*	8/2006	Kim et al.	D15/85
D527,395 S	*	8/2006	Kim	D15/85
D527,396 S	*	8/2006	Kim et al.	D15/85

* cited by examiner

Primary Examiner—Stella Reid

Assistant Examiner—Shanda C. Hill

(74) *Attorney, Agent, or Firm*—Robert O. Rice; John F. Colligan; Clifton G. Green

(57) **CLAIM**

The ornamental design for a formed door for a refrigerator, as shown and described.

DESCRIPTION

FIG. 1 is a front perspective view of the design of the formed door for a refrigerator;

FIG. 2 is a front elevational view thereof;

FIG. 3 is a left side elevational view thereof;

FIG. 4 is a right side elevational view thereof;

FIG. 5 is a top plan view thereof; and,

FIG. 6 is a bottom plan view thereof.

The broken lines shown are for illustrative purposes only and form no part of the design claimed.

1 Claim, 6 Drawing Sheets





Fig. 1

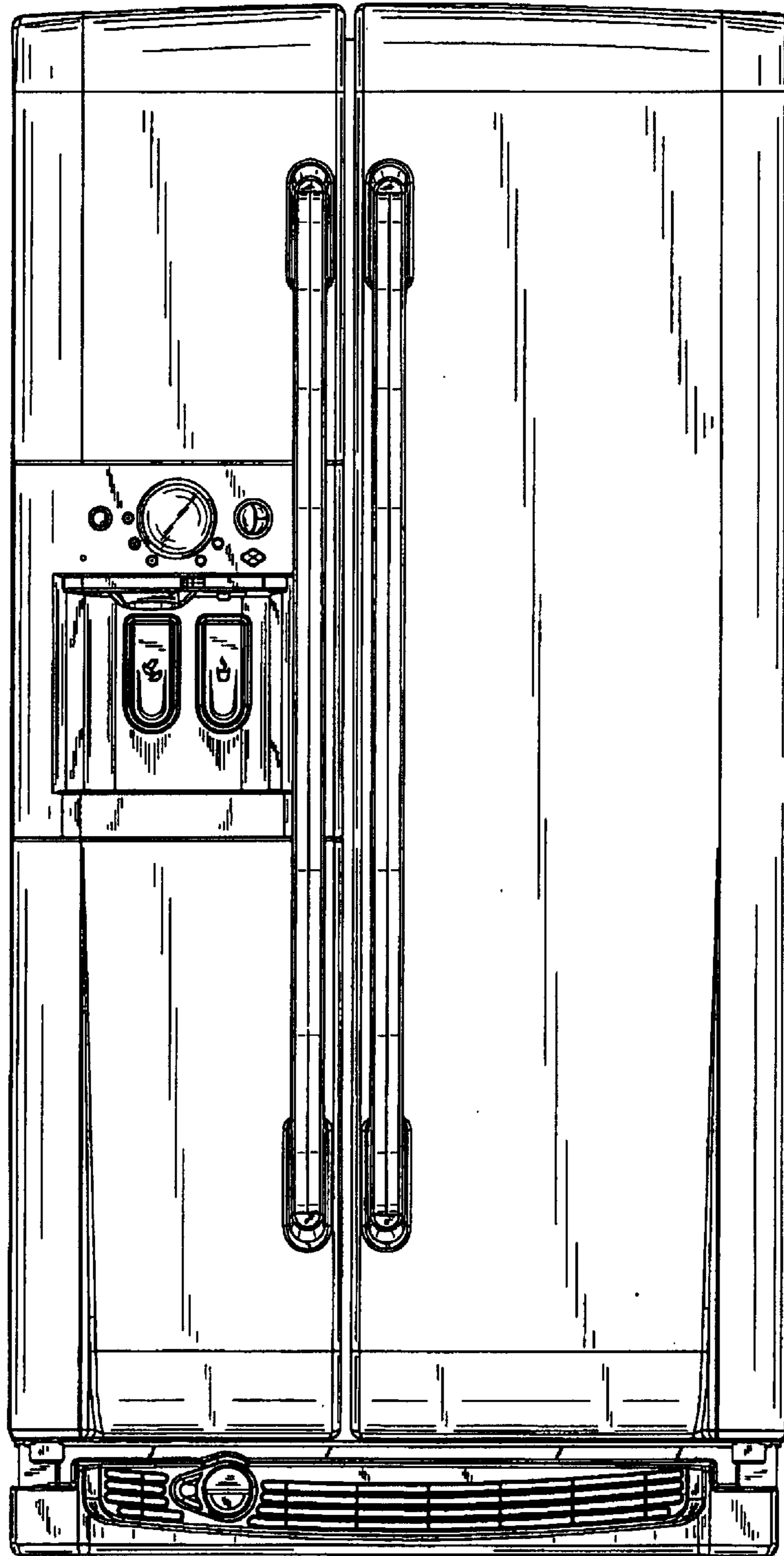


Fig. 2

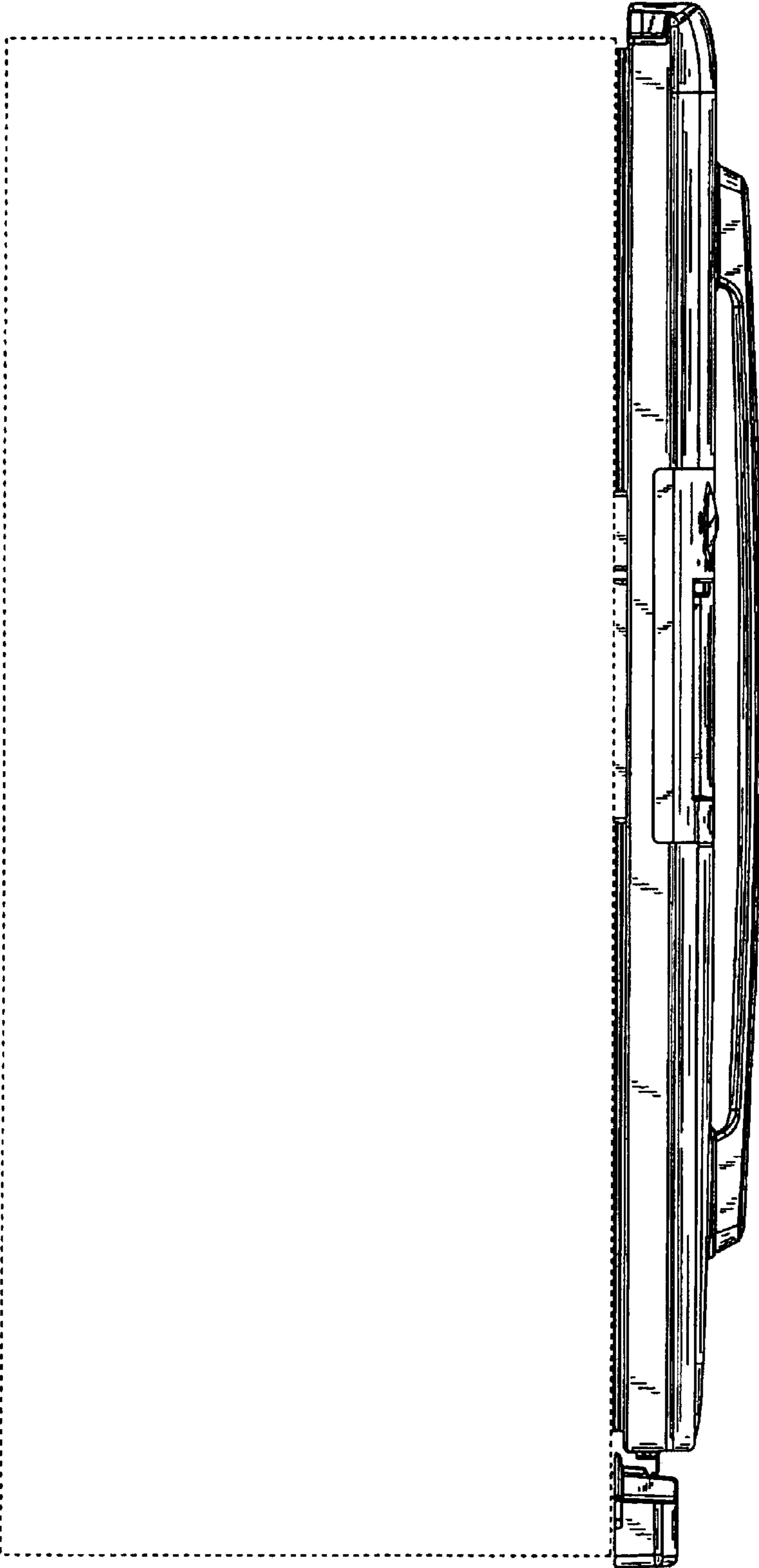


Fig. 3

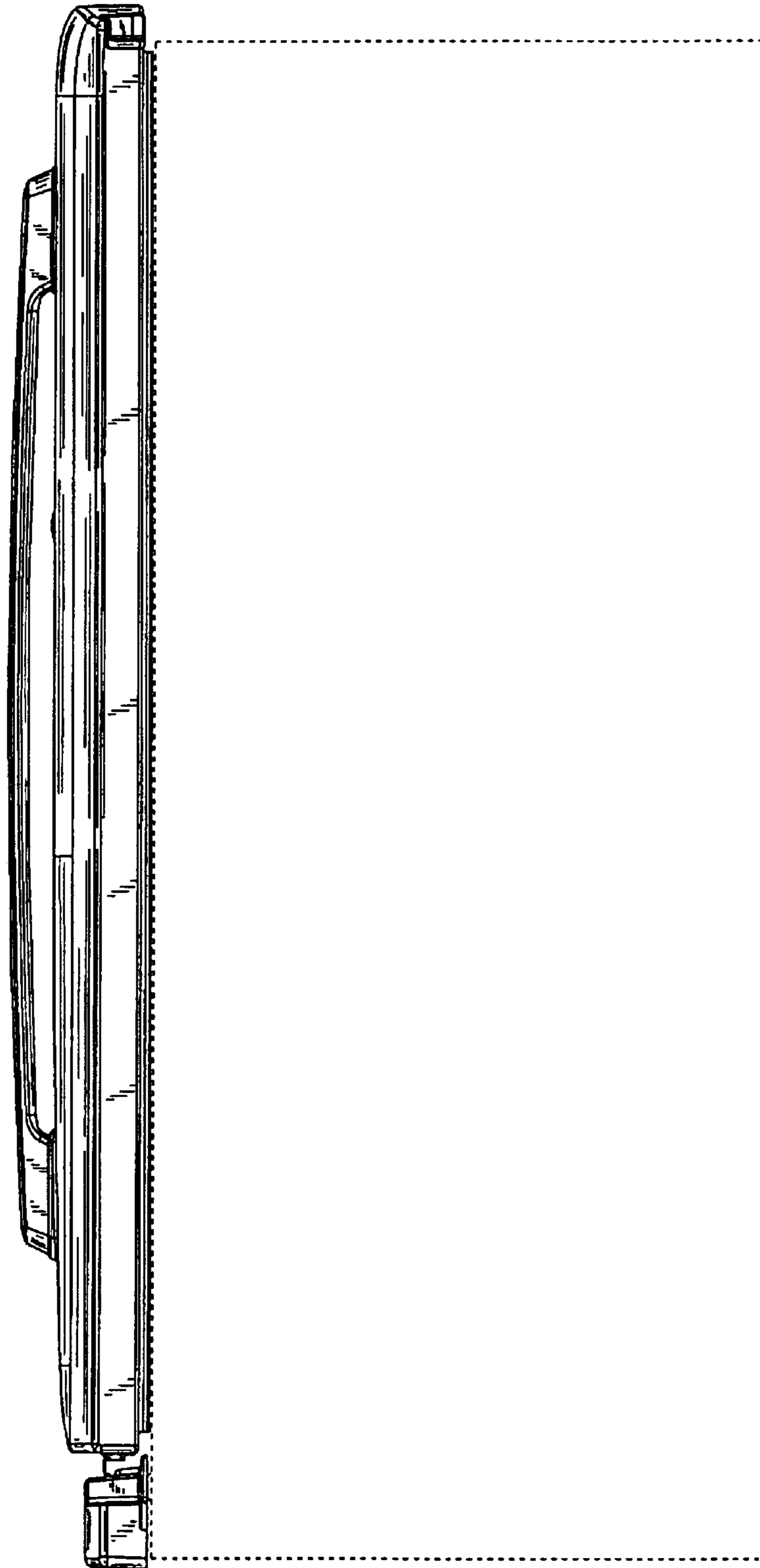


Fig. 4

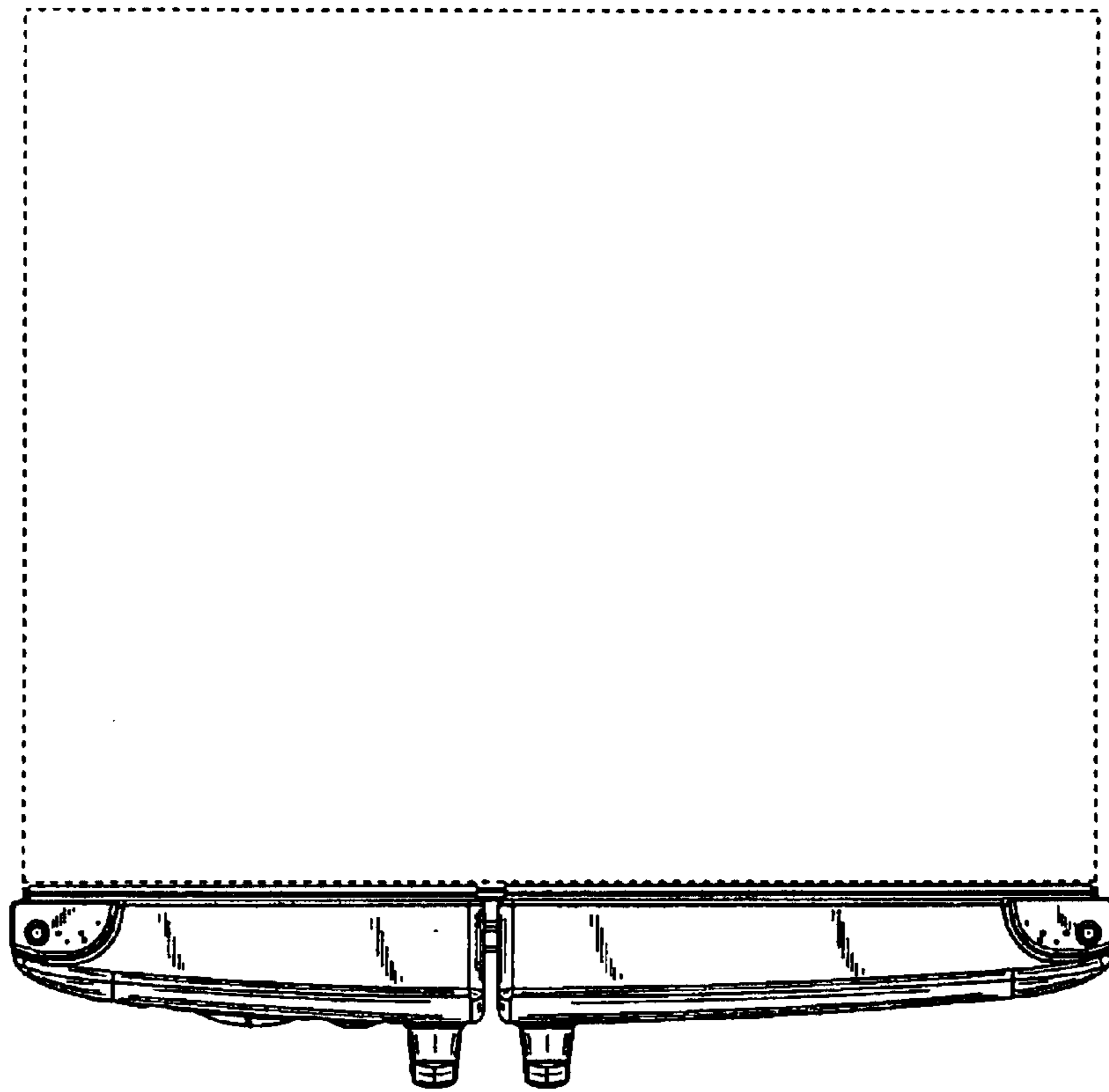


Fig. 5

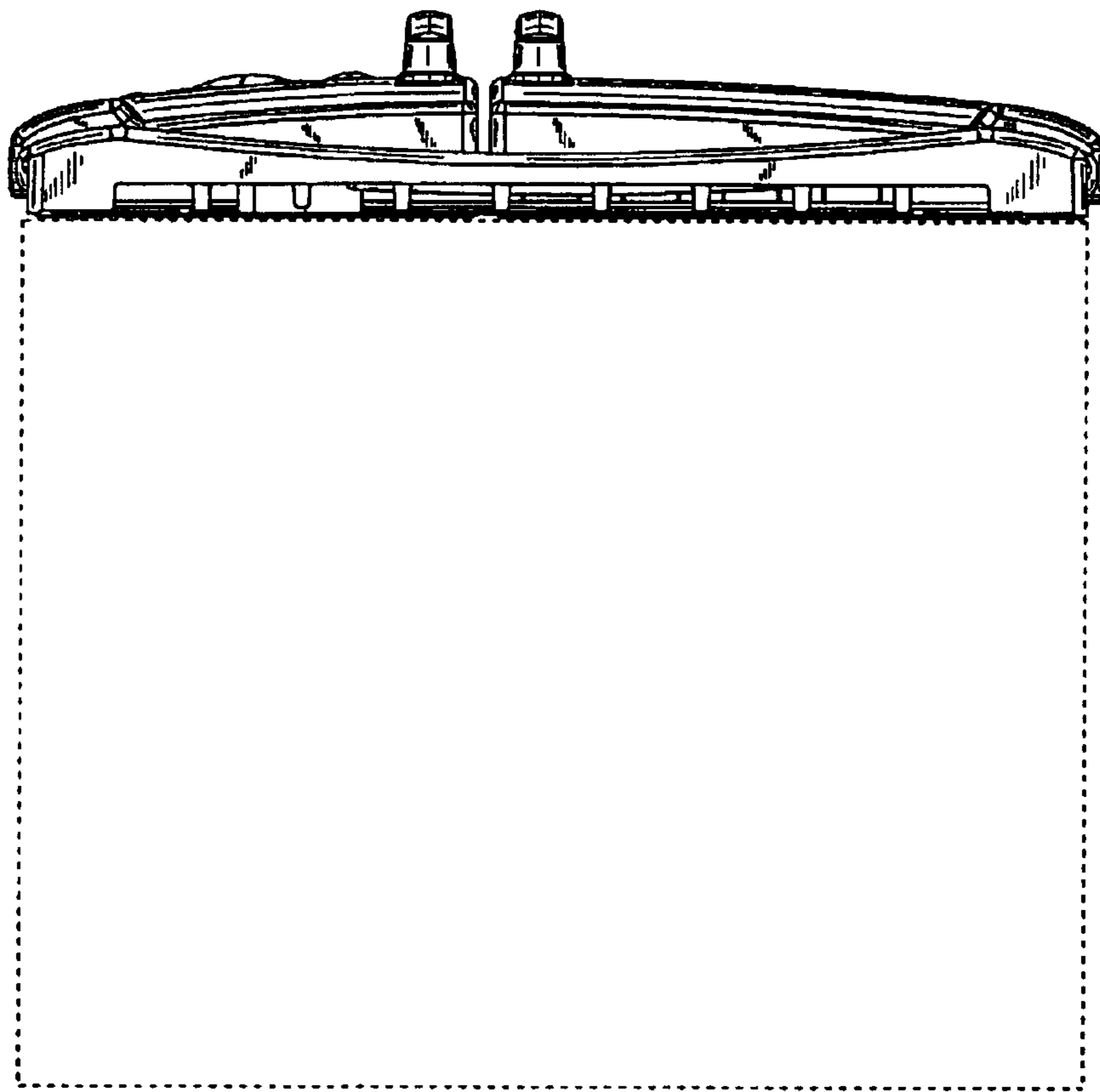


Fig. 6