

US00D537851S

(12) **United States Design Patent**  
**Mount**

(10) **Patent No.:** **US D537,851 S**

(45) **Date of Patent:** **\*\* Mar. 6, 2007**

(54) **REUSABLE ICE PACK**

(75) Inventor: **Floyd E. Mount**, Decorah, IA (US)

(73) Assignee: **Iowa Rotocast Plastics, Inc.**, Decorah, IA (US)

(\*\*) Term: **14 Years**

(21) Appl. No.: **29/255,718**

(22) Filed: **Mar. 10, 2006**

(51) **LOC (8) Cl.** ..... **15-07**

(52) **U.S. Cl.** ..... **D15/90**

(58) **Field of Classification Search** ..... D15/79,  
D15/80, 82, 89, 90, 152; D23/211.1; 62/125,  
62/126; 312/3.6, 116, 138.1, 236, 401, 402,  
312/404, 405, 405.1, 406; 220/675, 676,  
220/684, 685; 224/271

See application file for complete search history.

(56) **References Cited**

**U.S. PATENT DOCUMENTS**

4,143,764 A \* 3/1979 Moss, III ..... 220/676  
D322,383 S \* 12/1991 Jones ..... D15/90

D336,595 S \* 6/1993 Jones ..... D15/90  
D445,434 S \* 7/2001 Doornhein ..... D15/90  
D473,572 S \* 4/2003 Linberg et al. .... D15/90  
2004/0020950 A1 \* 2/2004 Overbay ..... 224/271

\* cited by examiner

*Primary Examiner*—Mitchell Siegel

*Assistant Examiner*—Shanda C. Hill

(74) *Attorney, Agent, or Firm*—Sturm & Fix LLP

(57) **CLAIM**

The ornamental design for a reusable ice pack, as shown and described.

**DESCRIPTION**

FIG. 1 is a perspective view of the reusable ice pack showing my new design;

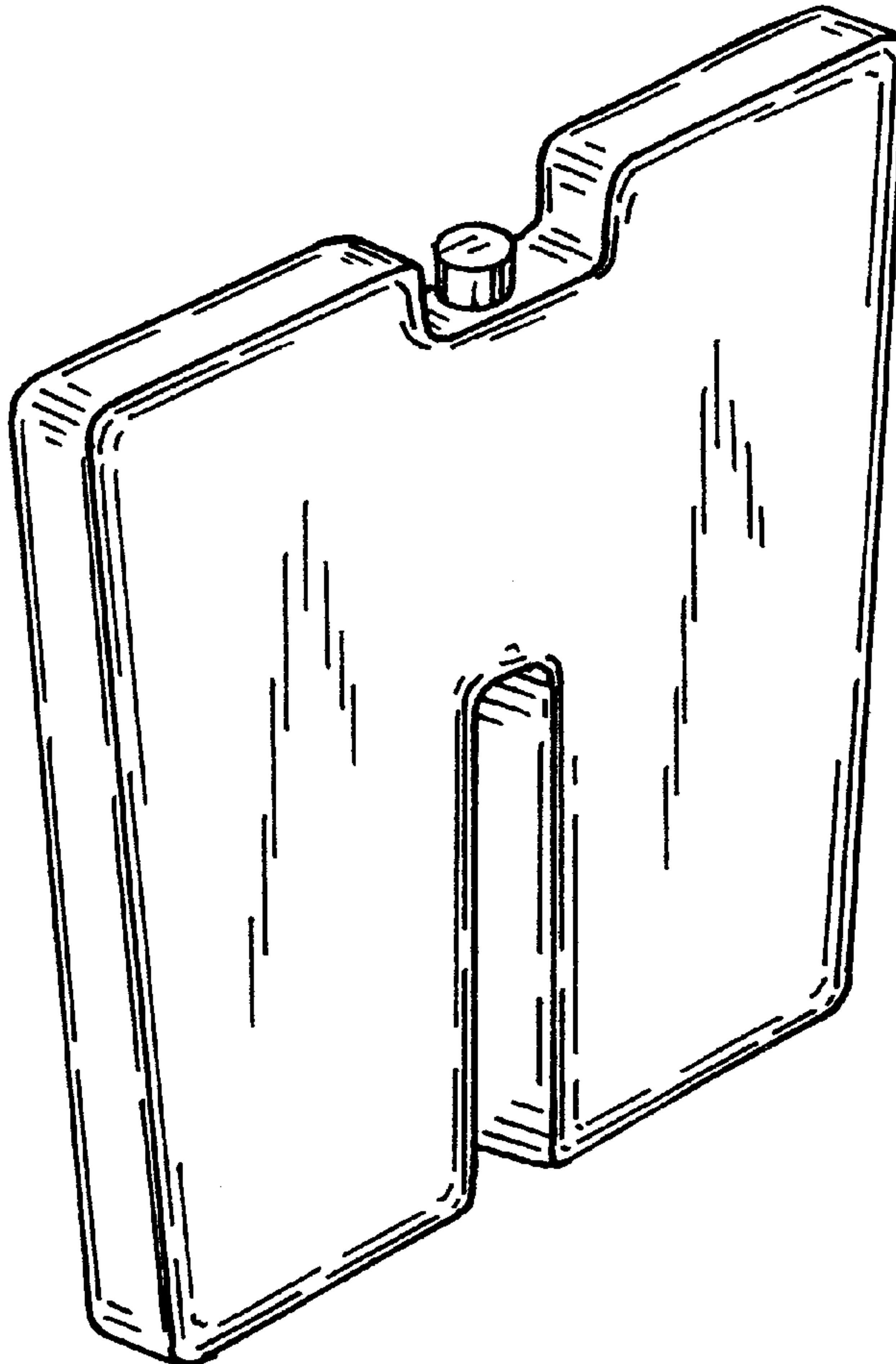
FIG. 2 is a front elevational view thereof, the rear elevational view being identical thereto;

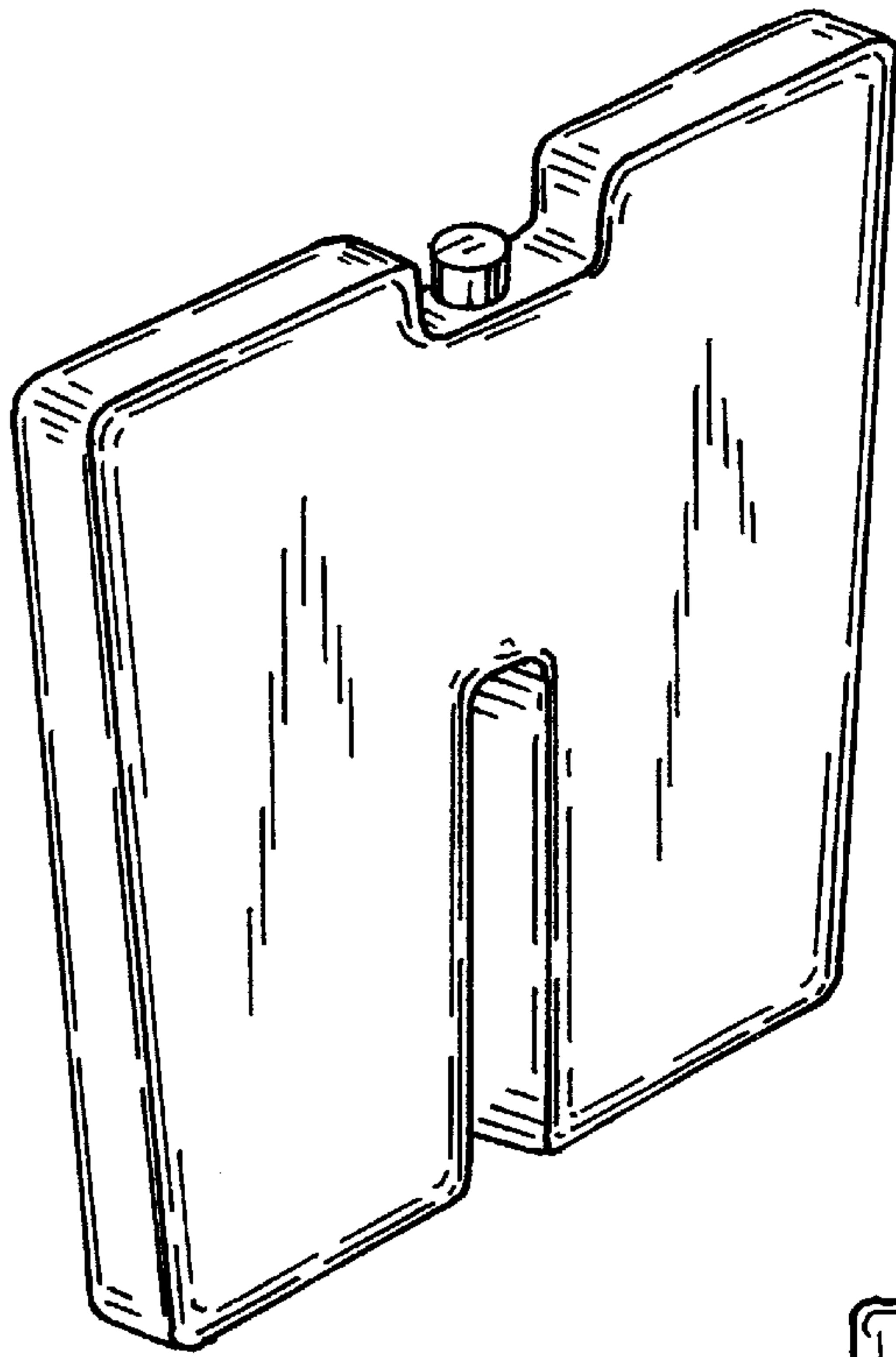
FIG. 3 is a top plan view thereof;

FIG. 4 is a bottom plan elevational view thereof; and,

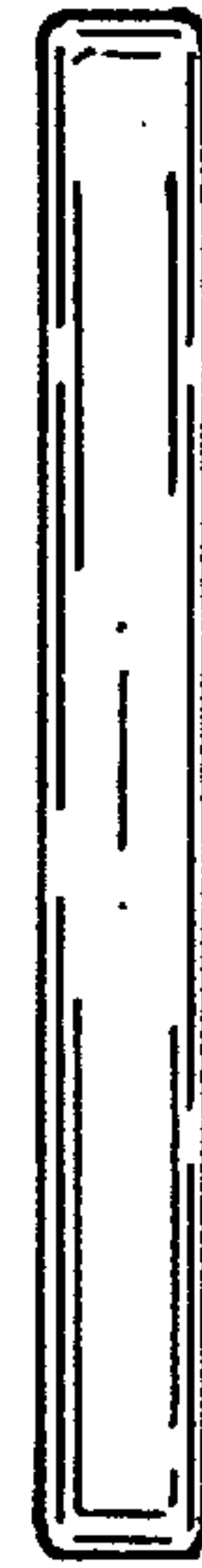
FIG. 5 is a right-side elevational view thereof, the left side elevational view being identical thereto.

**1 Claim, 1 Drawing Sheet**





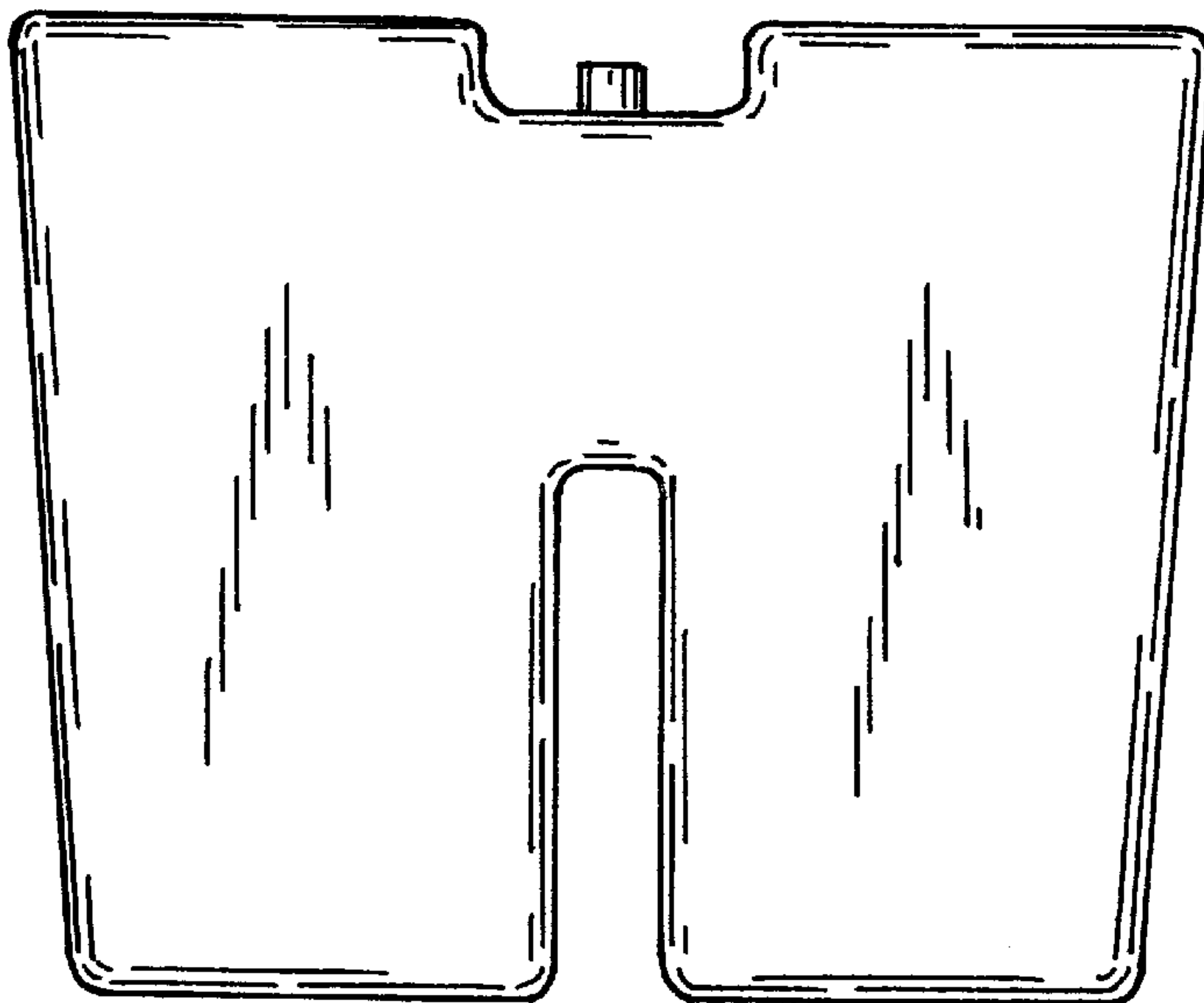
*Fig. 1*



*Fig. 5*



*Fig. 3*



*Fig. 2*



*Fig. 4*