



US00D537845S

(12) **United States Design Patent** (10) **Patent No.:** **US D537,845 S**
Shimizu et al. (45) **Date of Patent:** **** Mar. 6, 2007**

(54) **COMPRESSOR WITH COOLING FAN FOR VENDING MACHINE**

D490,822 S * 6/2004 Suehiro et al. D15/9
D510,940 S 10/2005 Boyd, Jr. et al.

(75) Inventors: **Kazunori Shimizu**, Kusatsu (JP);
Hiroaki Kase, Kusatsu (JP)

FOREIGN PATENT DOCUMENTS

JP	D1066606	4/2000
JP	D1102573	3/2001
JP	D1169277	3/2003
JP	D1223849	11/2004
JP	D1254061	10/2005

(73) Assignee: **Matsushita Electric Industrial Co., Ltd.**, Osaka (JP)

(**) Term: **14 Years**

* cited by examiner

(21) Appl. No.: **29/260,806**

Primary Examiner—Ralf Seifert

(22) Filed: **Jun. 1, 2006**

(74) *Attorney, Agent, or Firm*—Brinks Hofer Gilson & Lione

(30) **Foreign Application Priority Data**

Dec. 15, 2005 (JP) 2005-036965
Dec. 15, 2005 (JP) 2005-036966

(57) **CLAIM**

We claim the ornamental design for a compressor with cooling fan for vending machine, as shown and described.

(51) **LOC (8) Cl.** **15-02**

(52) **U.S. Cl.** **D15/9**

(58) **Field of Classification Search** D15/7-9;
D23/232, 231; 417/359, 415-416, 410.1,
417/321, 265, 405

DESCRIPTION

See application file for complete search history.

FIG. 1 is a top perspective view of a compressor with cooling fan for vending machine of the present invention; FIG. 2 is a front view thereof; FIG. 3 is a rear view thereof; FIG. 4 is a top view thereof; FIG. 5 is a bottom view thereof; FIG. 6 is a first side view thereof; and, FIG. 7 is a second side view thereof.

The ornamental design which is claimed is shown in solid lines in the drawings. Any broken lines in the drawings are for illustrative purposes only and form no part of the claimed design.

(56) **References Cited**

U.S. PATENT DOCUMENTS

D91,804 S	3/1934	Cornelius et al.	
D196,991 S	* 11/1963	Gallay D15/9
4,384,635 A	* 5/1983	Lowery 181/202
4,573,880 A	* 3/1986	Hirano et al. 417/312
D366,488 S	1/1996	Alfano et al.	
5,487,648 A	* 1/1996	Alfano et al. 417/312
6,035,963 A	* 3/2000	Wollitz 181/200

1 Claim, 4 Drawing Sheets

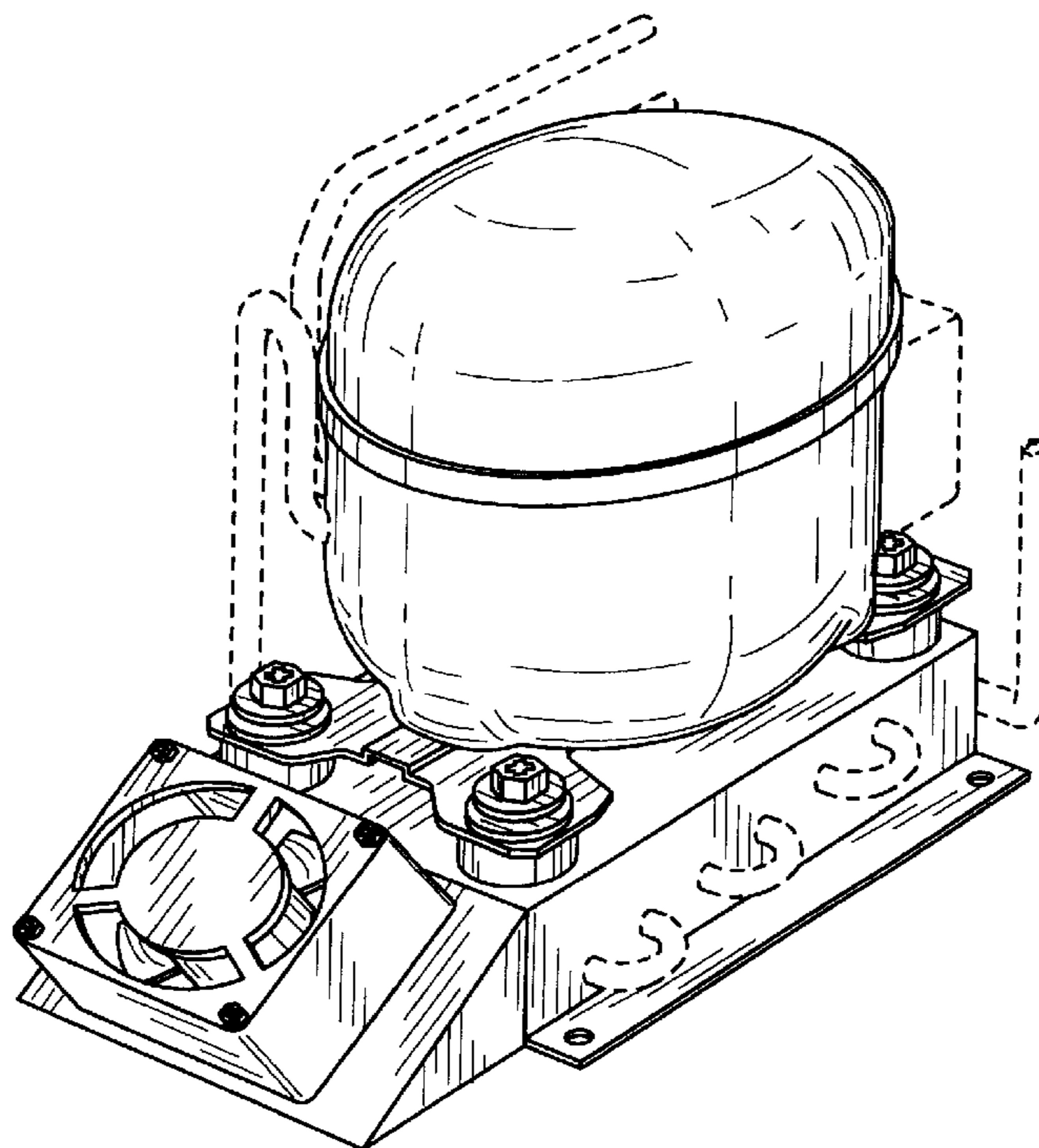


FIG. 1

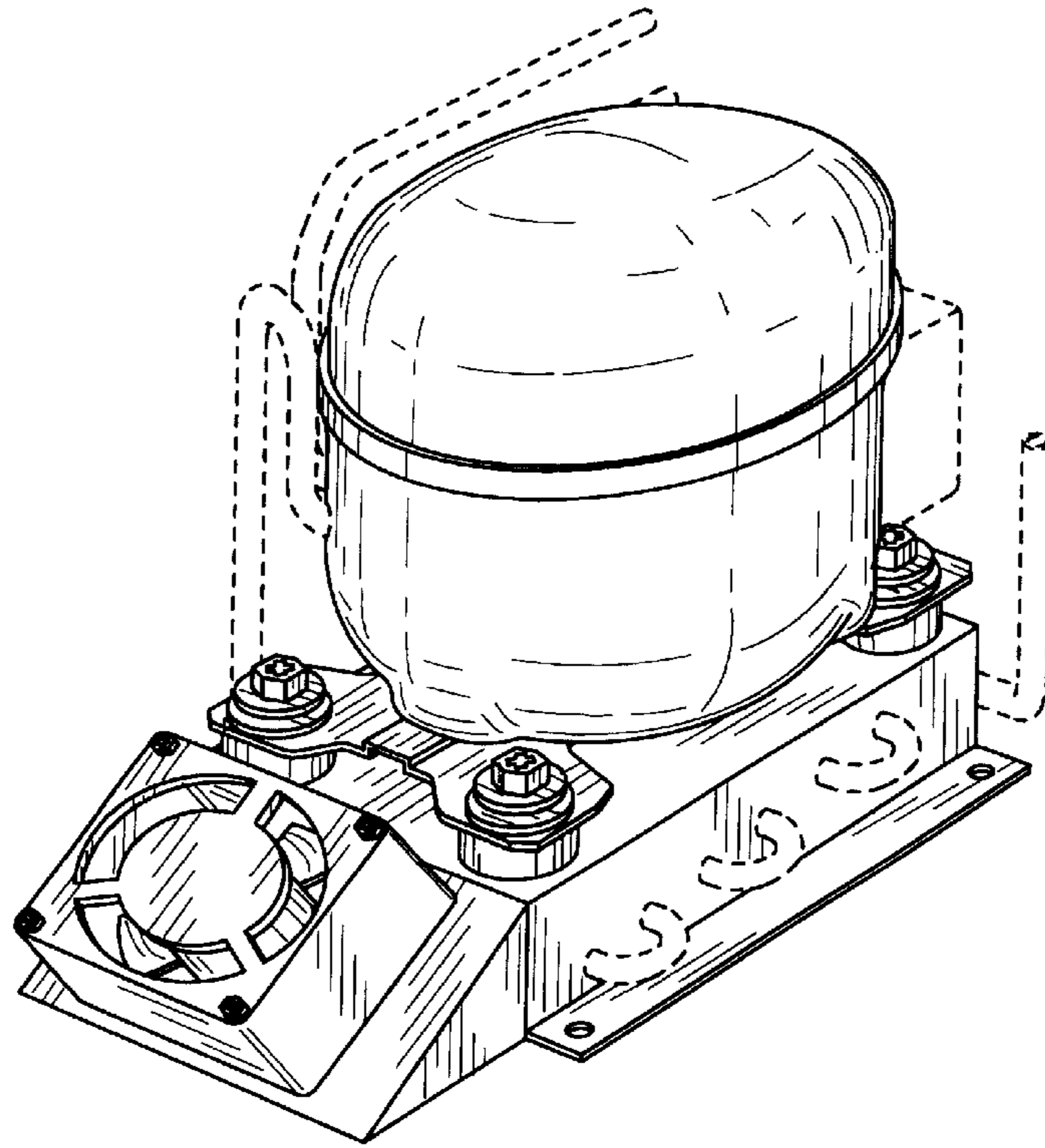


FIG. 2

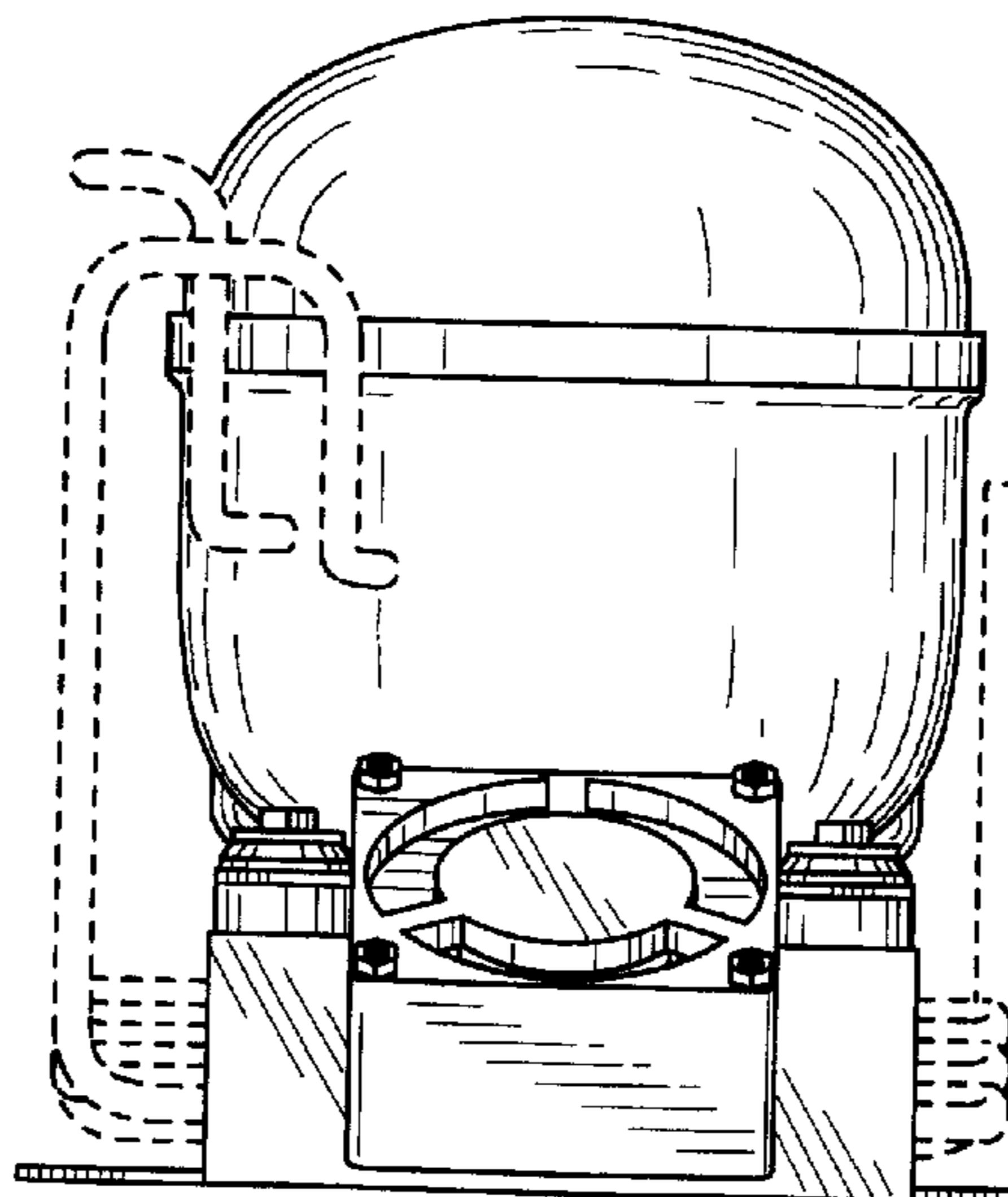


FIG.3

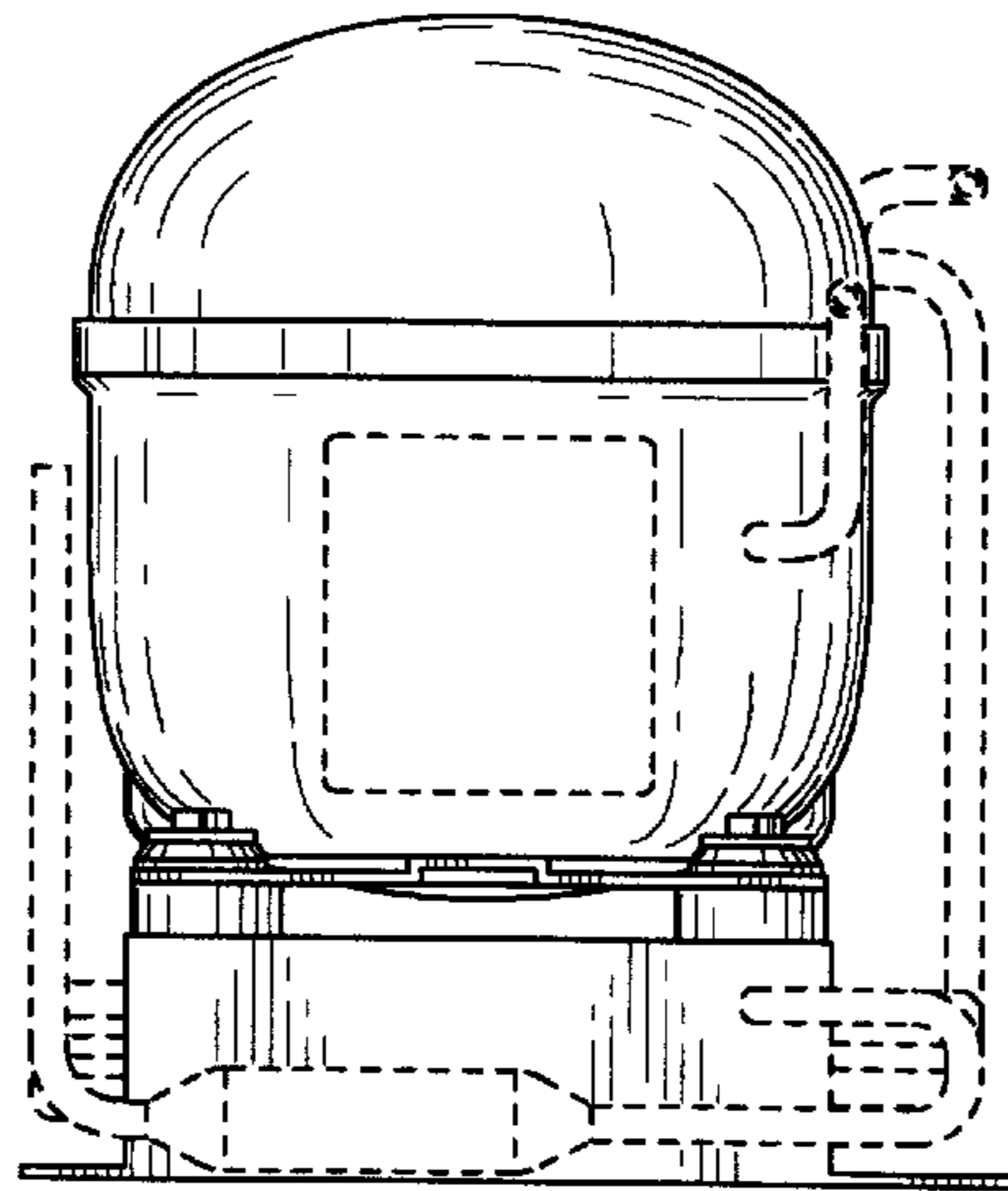


FIG.4

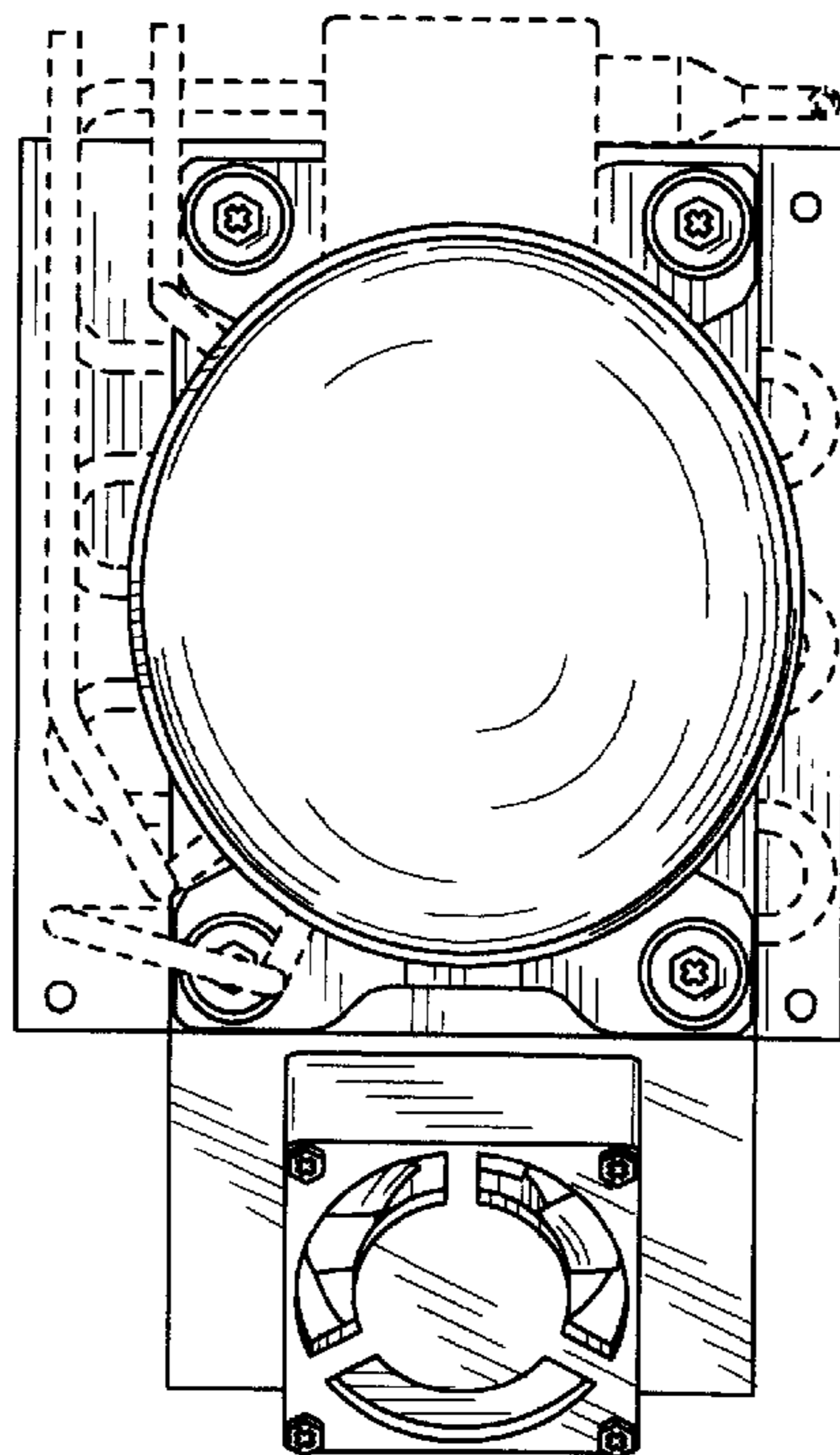


FIG. 5

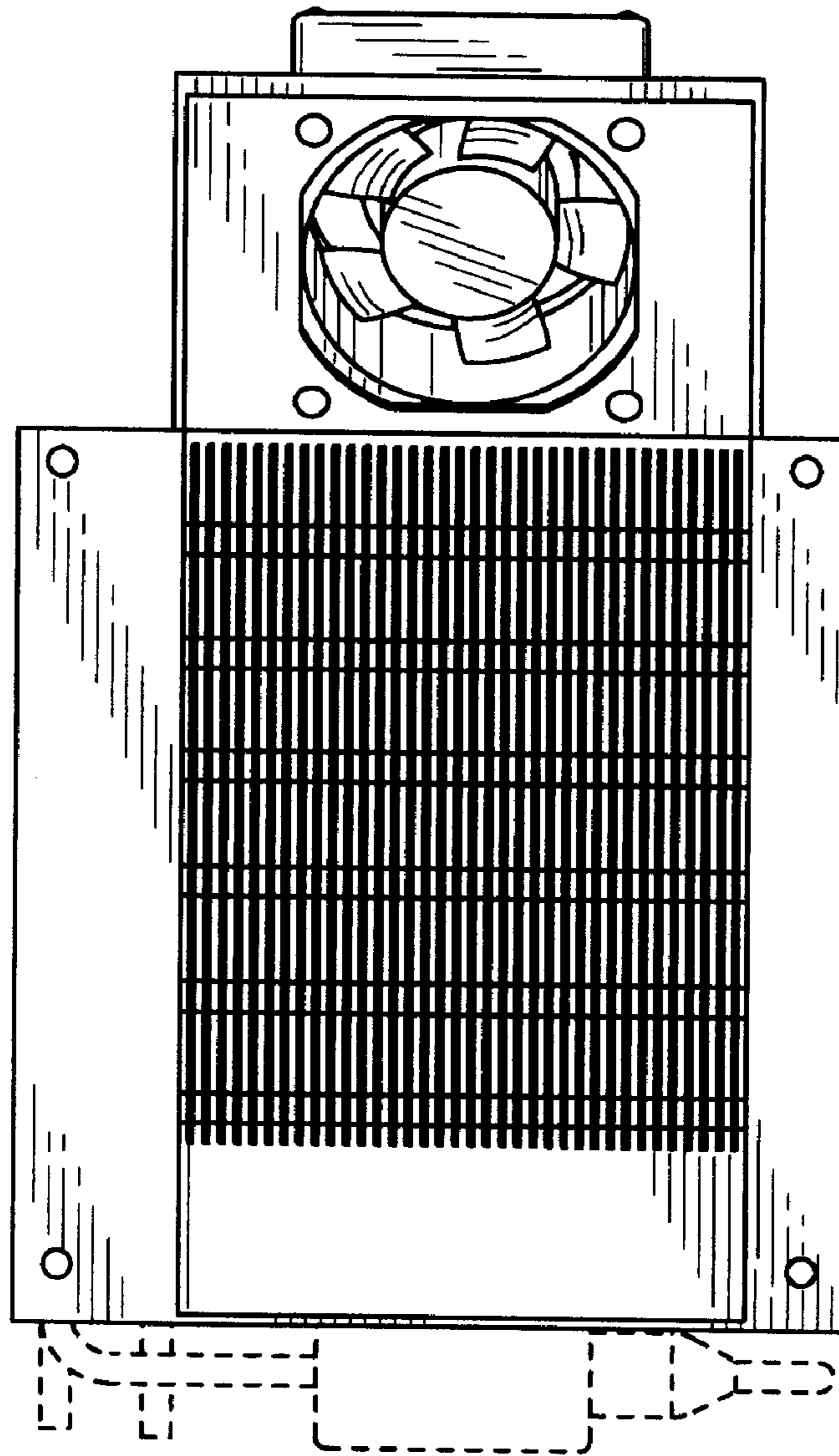


FIG.6

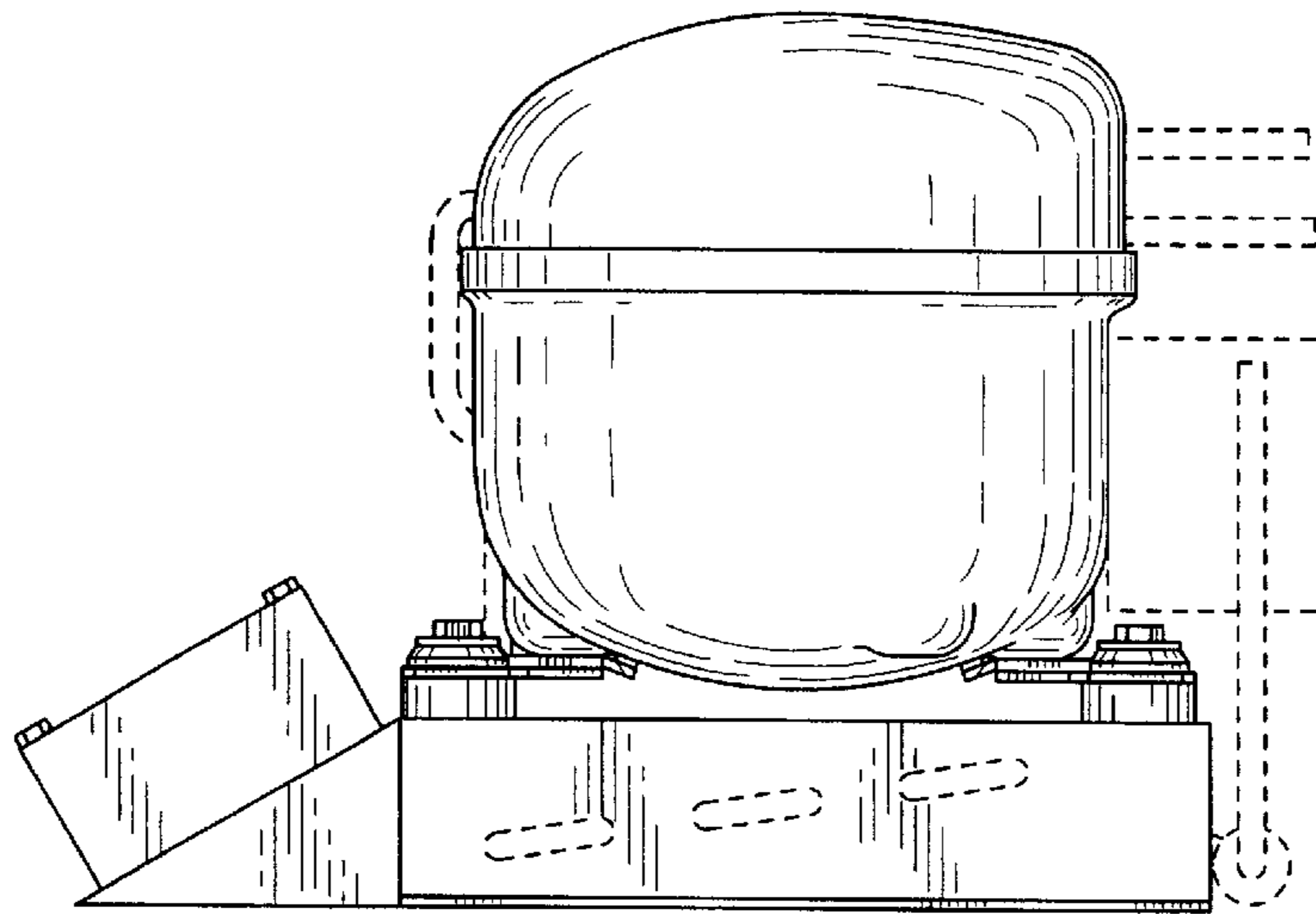


FIG.7

