



US00D537843S

(12) **United States Design Patent**
Chu

(10) **Patent No.:** **US D537,843 S**

(45) **Date of Patent:** **** Mar. 6, 2007**

(54) **AIR COMPRESSOR**

(76) Inventor: **Henry C. Chu**, 133N. Lemon St.,
Orange, CA (US) 92866

(**) Term: **14 Years**

(21) Appl. No.: **29/258,563**

(22) Filed: **Apr. 24, 2006**

(51) **LOC (8) Cl.** **15-02**

(52) **U.S. Cl.** **D15/9**

(58) **Field of Classification Search** D15/7-9;
D23/232, 231; 417/359, 415-416, 410.1,
417/321, 265, 405

See application file for complete search history.

(56) **References Cited**

U.S. PATENT DOCUMENTS

D282,471 S	*	2/1986	Bearint et al.	D15/9
D351,603 S	*	10/1994	Ikeda et al.	D15/9
D352,291 S	*	11/1994	Ikeda et al.	D15/7
D381,340 S	*	7/1997	Takenaka et al.	D15/9
D381,993 S	*	8/1997	Takenaka et al.	D15/9
D429,738 S	*	8/2000	Kayukawa et al.	D15/9
D435,856 S	*	1/2001	Kato	D15/9
D440,232 S	*	4/2001	Kou	D15/9
D441,377 S	*	5/2001	Kawaguchi et al.	D15/9
D441,378 S	*	5/2001	Kou	D15/9
D452,254 S	*	12/2001	Kawaguchi et al.	D15/9
D456,029 S	*	4/2002	Kawaguchi et al.	D15/9
D456,423 S	*	4/2002	Kanou et al.	D15/9

D460,460 S	*	7/2002	Kayukawa et al.	D15/9
D461,195 S	*	8/2002	Kudou et al.	D15/9
D462,364 S	*	9/2002	Fujita et al.	D15/9
D466,524 S	*	12/2002	Makino et al.	D15/9
D466,526 S	*	12/2002	Fujii et al.	D15/9
D470,155 S	*	2/2003	Makino et al.	D15/9

* cited by examiner

Primary Examiner—Ralf Seifert

(74) *Attorney, Agent, or Firm*—Charles E. Baxley

(57) **CLAIM**

The ornamental design for an air compressor, as shown and described.

DESCRIPTION

FIG. 1 is a perspective view of an air compressor showing my new design;

FIG. 2 is a front elevational view thereof;

FIG. 3 is a rear elevational view thereof;

FIG. 4 is a top plan view thereof;

FIG. 5 is a bottom plan view thereof;

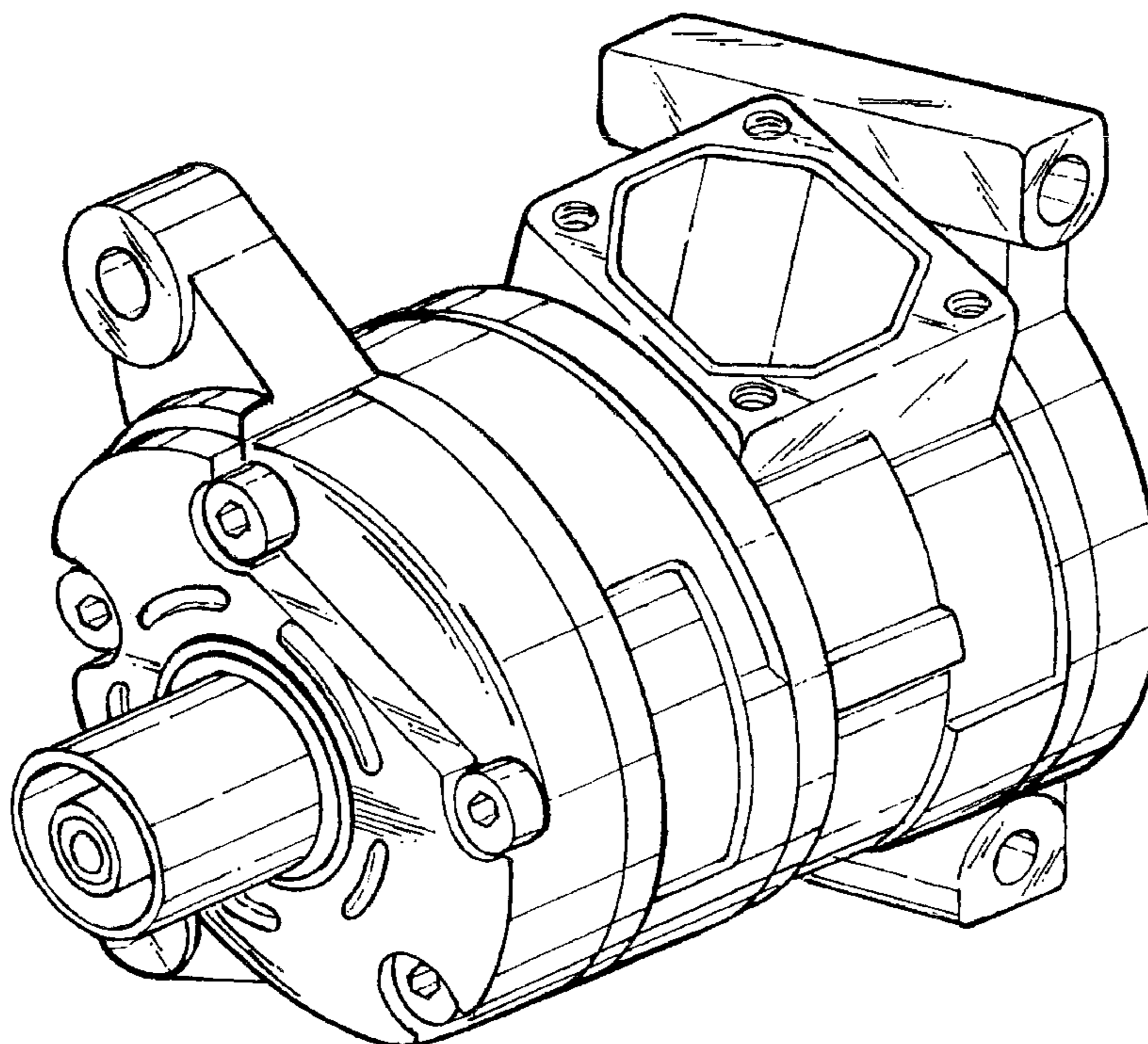
FIG. 6 is a left side elevational view thereof;

FIG. 7 is a right side elevational view thereof; and

FIG. 8 is a perspective views thereof, the partition depicted by means of broken lines being for illustrative purposes only and forming no part of the claimed design; and,

FIG. 9 is a perspective views thereof, the partition depicted by means of broken lines being for illustrative purposes only and forming no part of the claimed design.

1 Claim, 6 Drawing Sheets



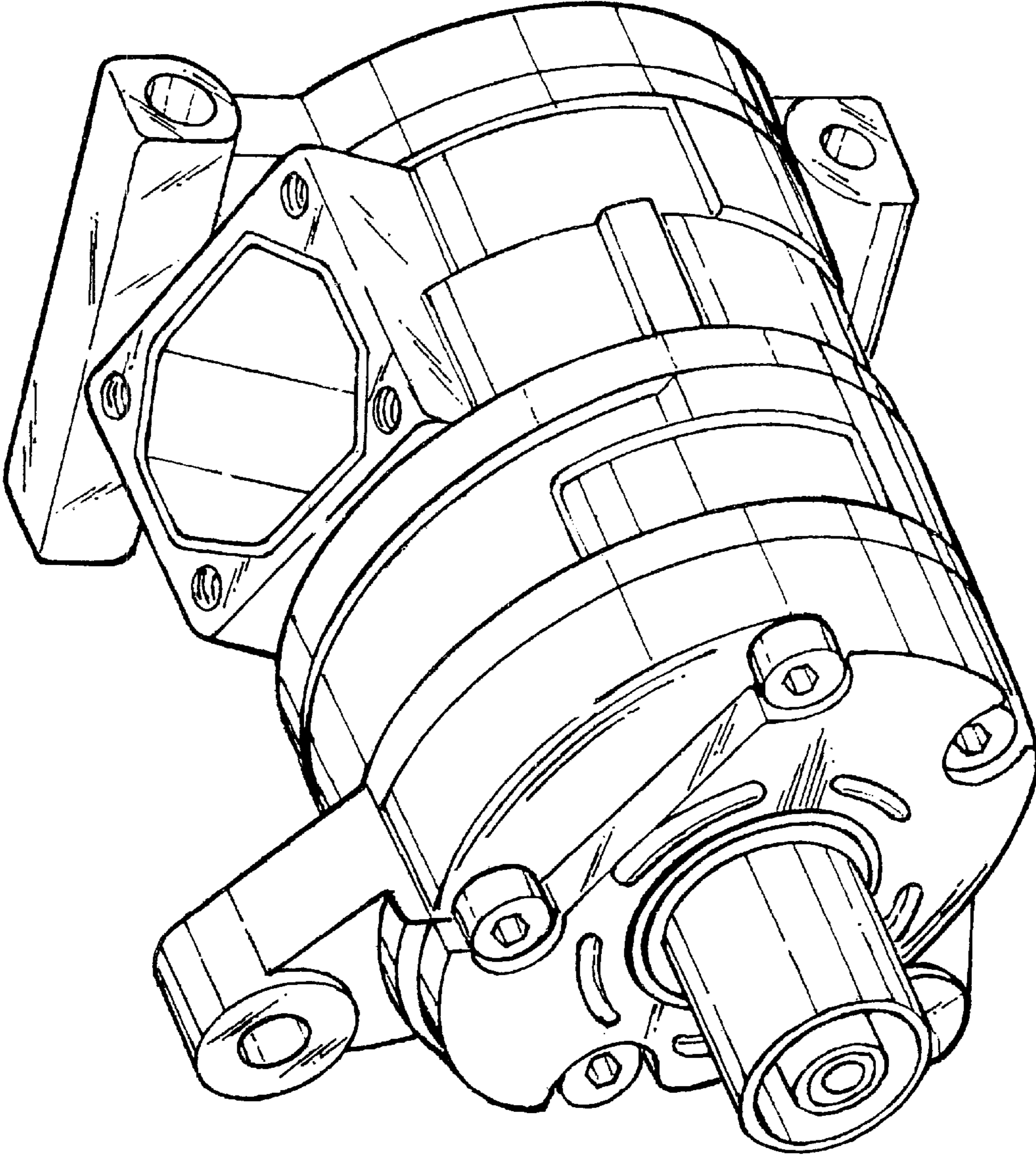


FIG. 1

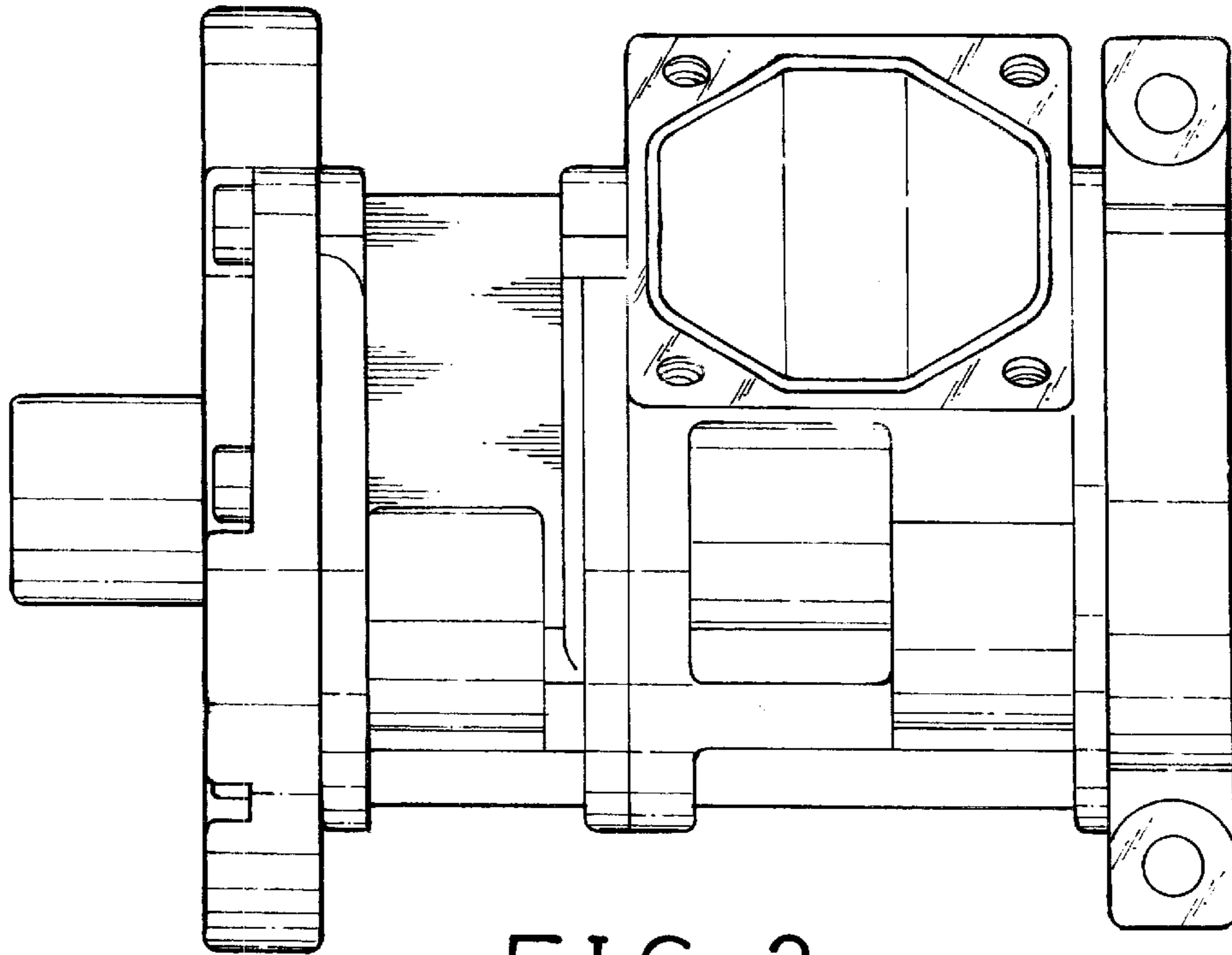


FIG. 2

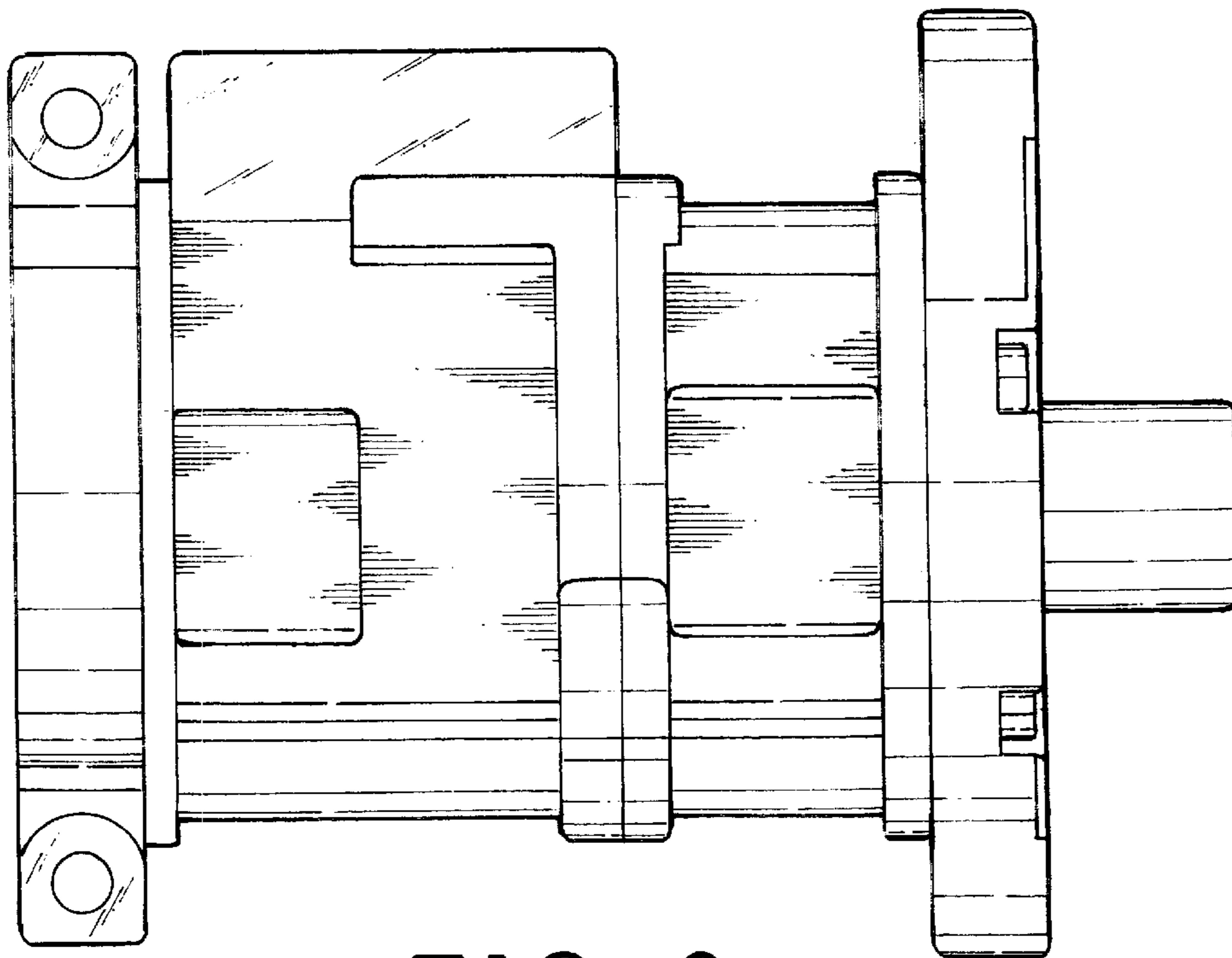


FIG. 3

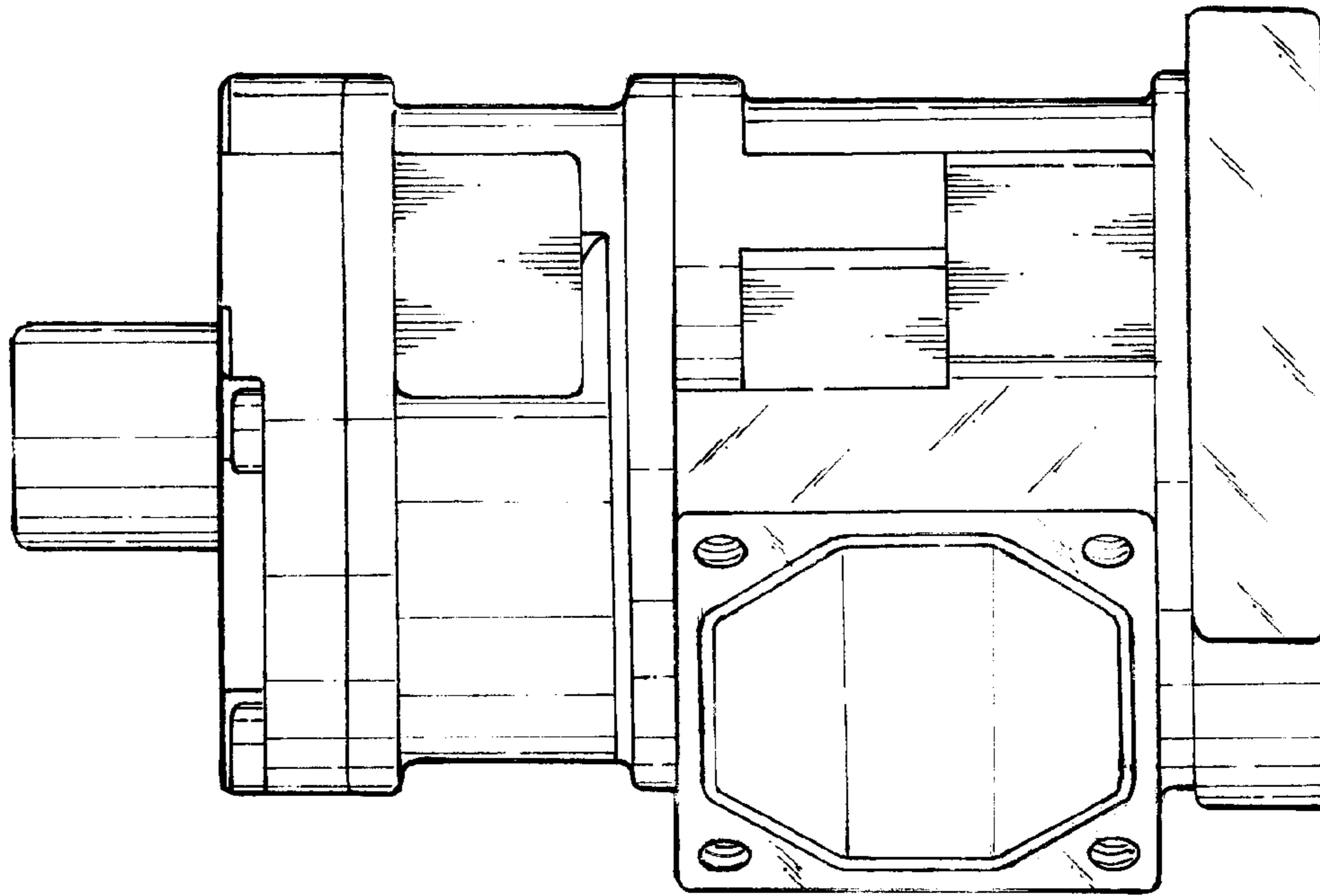


FIG. 4

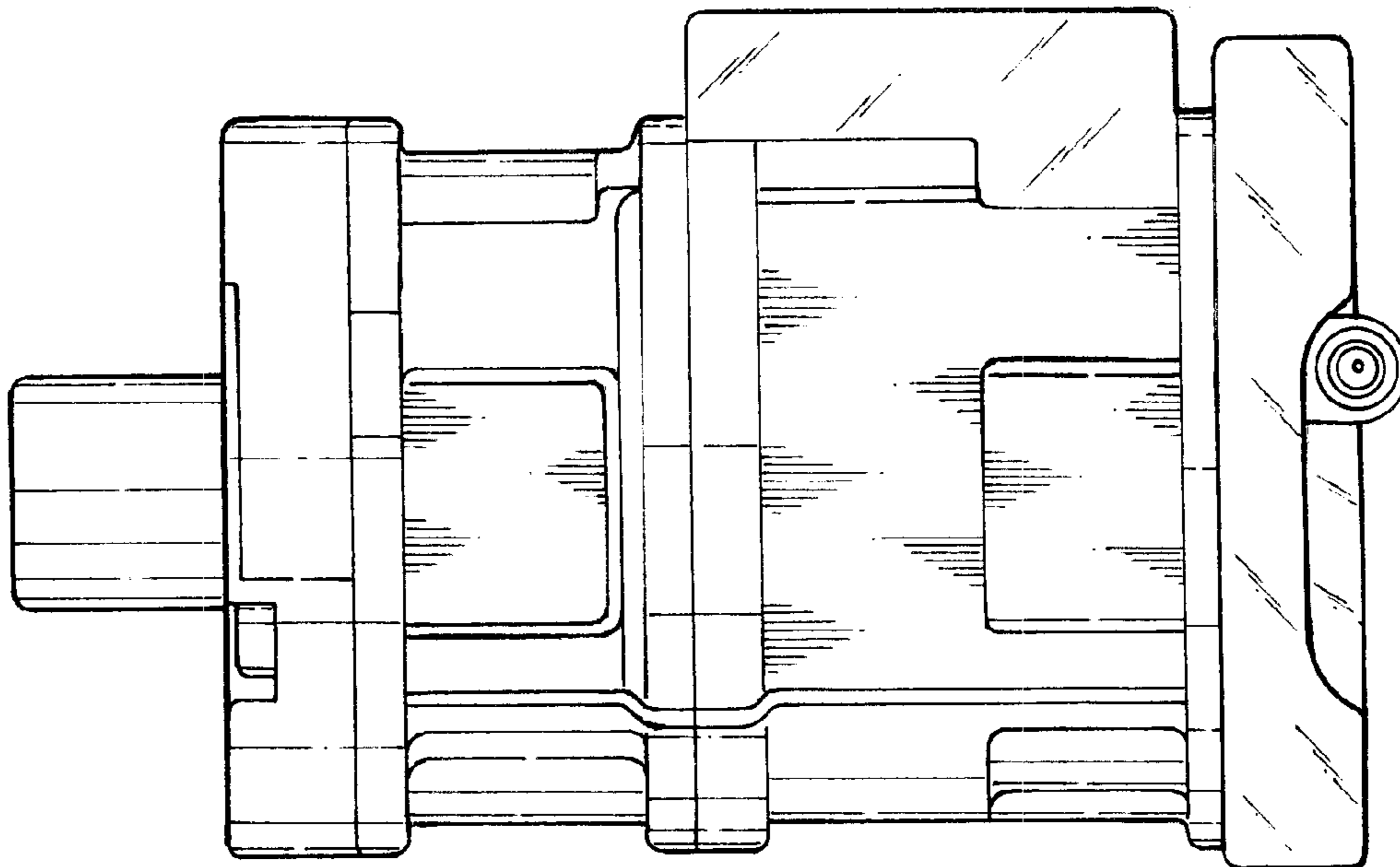


FIG. 5

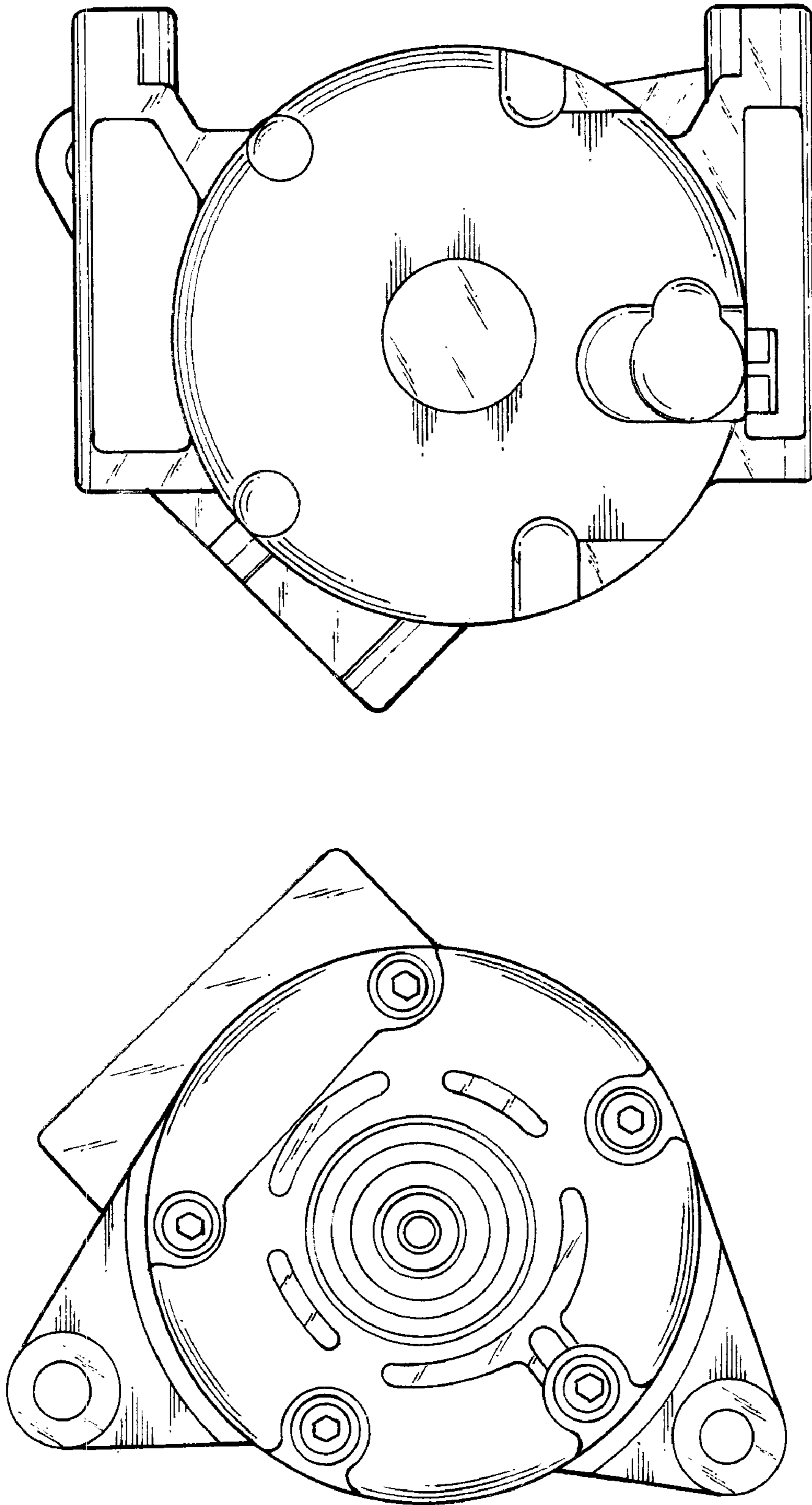


FIG. 7

FIG. 6

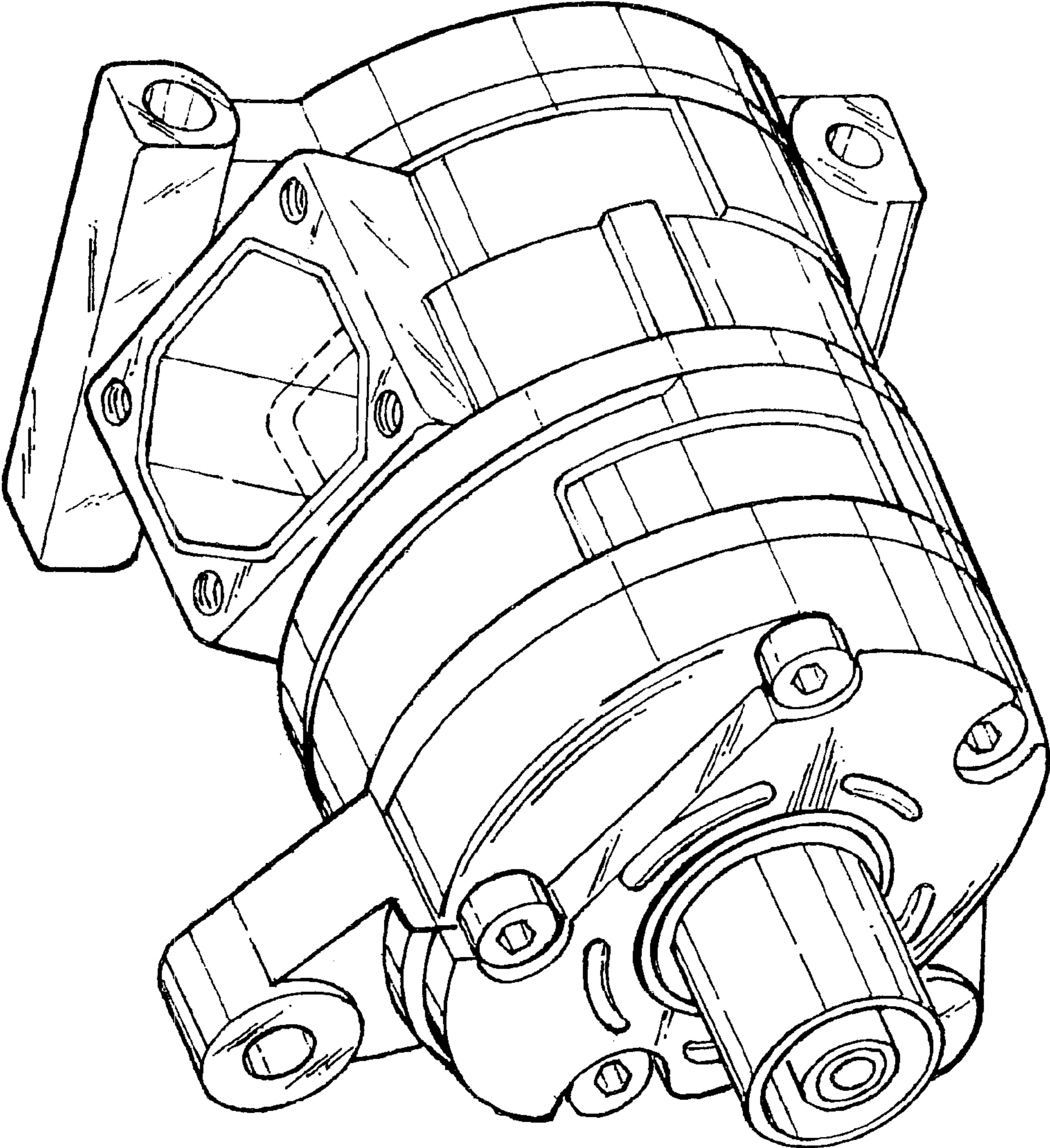


FIG. 8

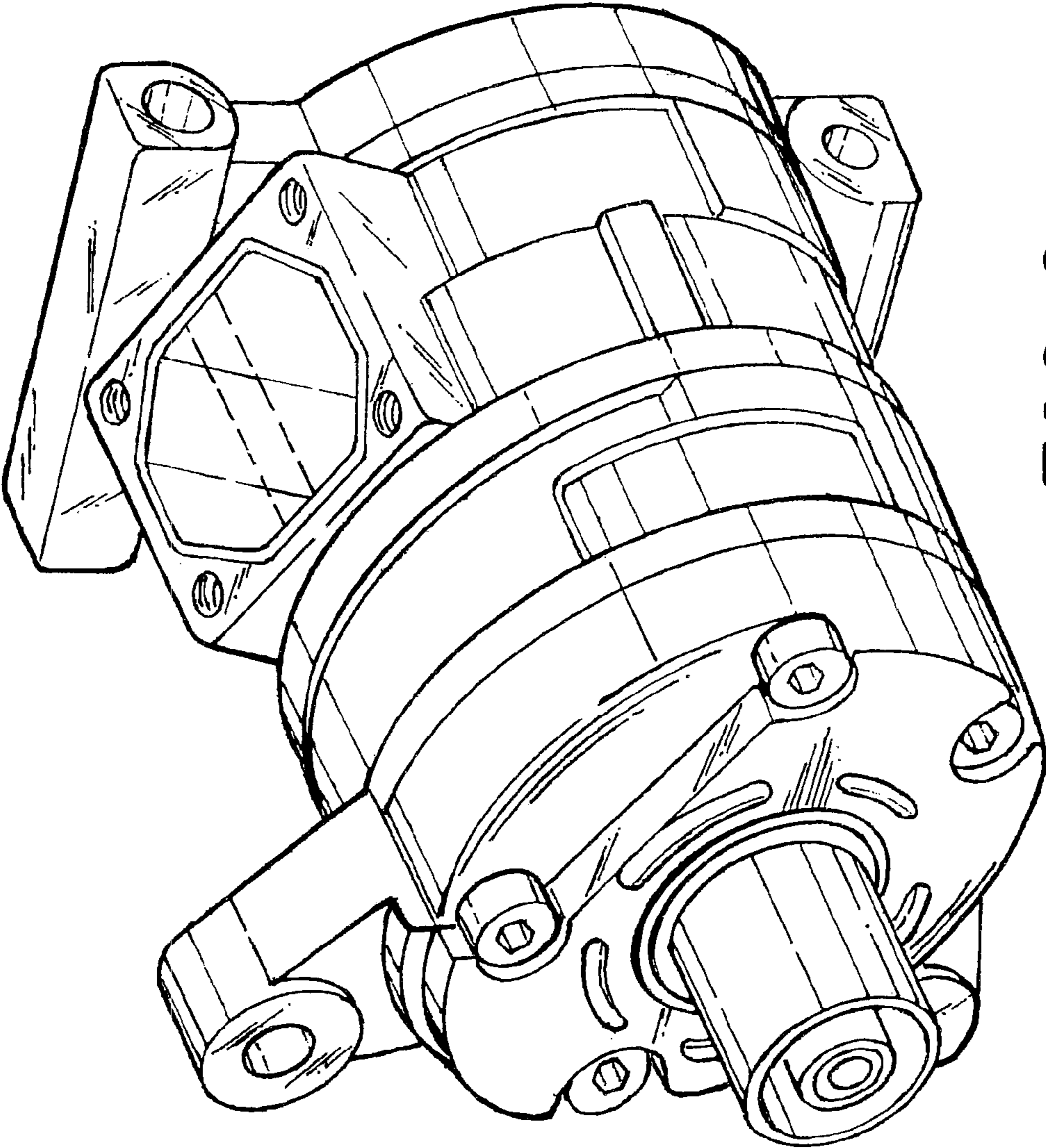


FIG. 9